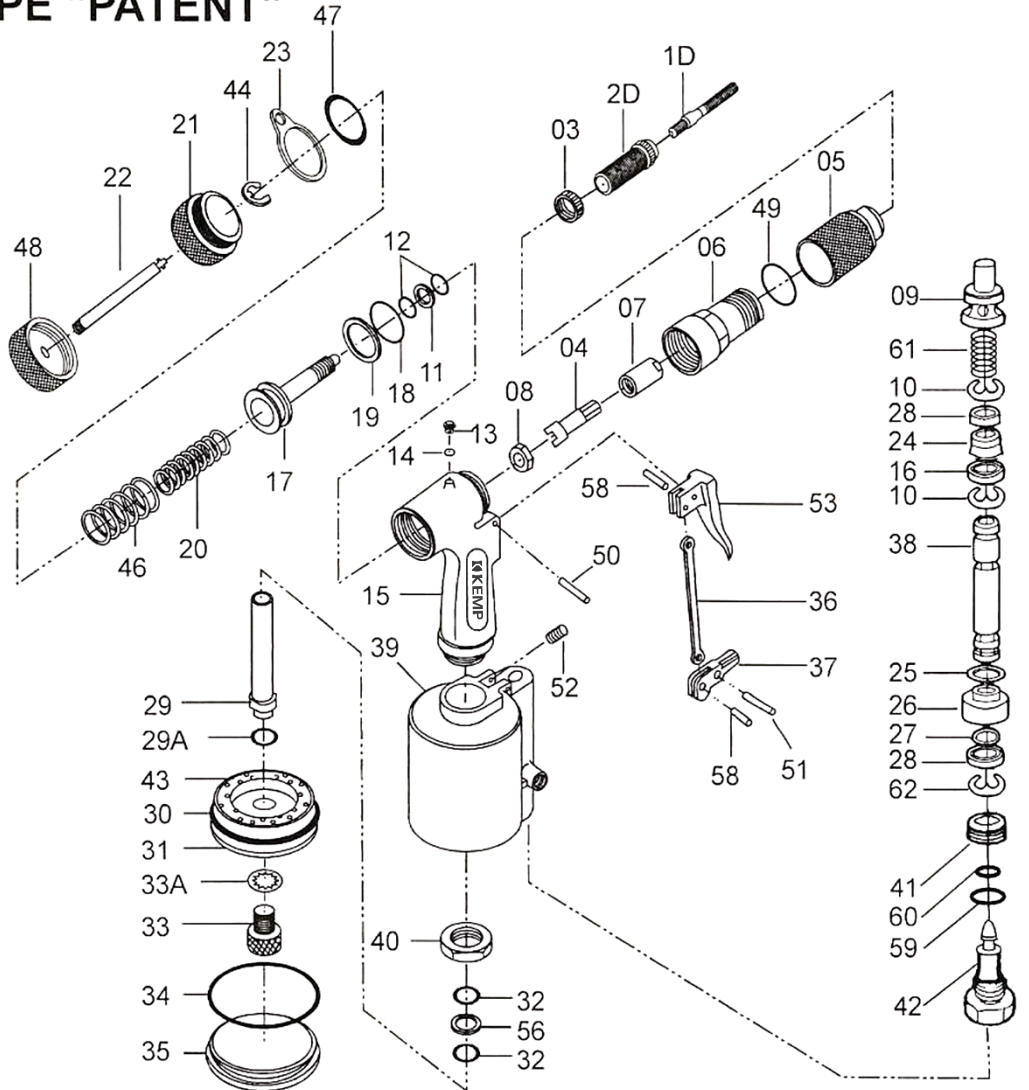
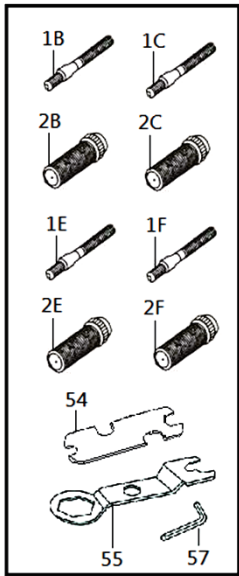
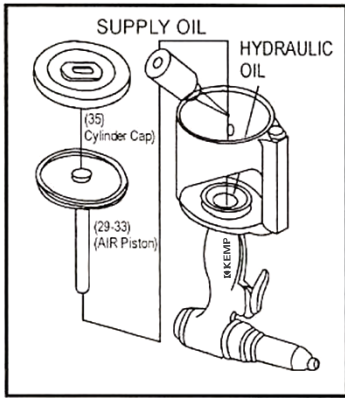


ENERGY SAVING TYPE "PATENT"

ADDING OIL METHOD



NO.	PART NO.	DESCRIPTION	Qty	NO.	PART NO.	DESCRIPTION	Qty	NO.	PART NO.	DESCRIPTION	Qty
1B	140 11 200 001	Screw Mandrel M4	1	17	140 11 200 017	Oil Piston	1	39	140 11 200 039	Air Cylinder	1
1C	140 11 200 201	Screw Mandrel M5	1	18	140 11 200 018	O Ring	1	40	140 11 200 040	Frame Lock Nut	1
1D	140 11 200 301	Screw Mandrel M6	1	19	140 11 200 019	Back Up Ring	1	41	140 11 200 041	Nipple Screw	1
1E	140 11 200 401	Screw Mandrel M8	1	20	140 11 200 020	Return Spring (Small)	1	42	140 11 200 042	End Plug	1
1F	140 11 200 501	Screw Mandrel M10	1	21	140 11 200 021	Frame Cap	1	43	140 11 200 043	Rubber Cushion	1
2B	140 11 200 502	Stroke Set Adaptor M4	1	22	140 11 200 022	Return Tube	1	44	140 11 200 044	E-Ring	1
2C	140 11 200 002	Stroke Set Adaptor M5	1	23	140 11 200 023	Hanger Clip	1	46	140 11 200 046	Return Spring (Big)	1
2D	140 11 200 202	Stroke Set Adaptor M6	1	24	140 11 200 024	Air Valve Seal	1	47	140 11 200 047	Frame Cap Ring	1
2E	140 11 200 302	Stroke Set Adaptor M8	1	25	140 11 200 025	O Ring	1	48	140 11 200 048	Safety Cap Nut	1
2F	140 11 200 402	Stroke Set Adaptor M10	1	26	140 11 200 026	Valve Seat	1	49	140 11 200 049	Trigger (Long)	1
03	140 11 200 003	Nose Nut	1	27	140 11 200 027	O Ring	1	50	140 11 200 050	Pin	2
04	140 11 200 004	Spindle Guide	1	28	140 11 200 028	Valve Collar Washer	2	51	140 11 200 051	Lever Pin	1
05	140 11 200 005	Stroke Adaptor Cover	1	29	140 11 200 029	Air Piston Rod	1	52	140 11 200 052	Lock Screw	1
06	140 11 200 006	Connector Housing	1	29A	140 11 200 229	O Ring	1	53	140 11 200 053	Trigger	1
07	140 11 200 007	Spindle Case	1	30	140 11 200 030	O Ring	1	54	140 11 200 054	Spanner Gauge(9, 14, 15, 19)	1
08	140 11 200 008	Spindle Case Nut	1	31	140 11 200 031	Air Piston	1	55	140 11 200 055	Spanner Gauge(8, 10, 24)	1
09	140 11 200 009	Valve Pusher	1	32	140 11 200 032	O Ring	2	56	140 11 200 056	Back Up Ring	1
10	140 11 200 010	E-Ring	2	33	140 11 200 033	Rock Nut	1	57	140 11 200 057	Hex Wrench (5mm)	1
11	140 11 200 011	Back Up Ring	1	33A	140 11 200 233	Washer	1	58	140 11 200 058	Trigger Pin	2
12	140 11 200 012	O Ring	2	34	140 11 200 034	O Ring	1	59	140 11 200 059	O Ring	1
13	140 11 200 013	Air Blow Plug (5mm)	1	35	140 11 200 035	Cylinder Cap	1	60	140 11 200 060	Seal	1
14	140 11 200 014	Packing Seal	1	36	140 11 200 036	Trigger Rod	1	61	140 11 200 061	Pusher Spring	1
15	140 11 200 015	Frame	1	37	140 11 200 037	Trigger Lever	1	62	140 11 200 062	E Ring	1
16	140 11 200 016	Collar for Valve Tube	1	38	140 11 200 038	Valve Tube	1				

※ Please Always Ensure The Part No. 13 Air Blow Plug Tight Threaded