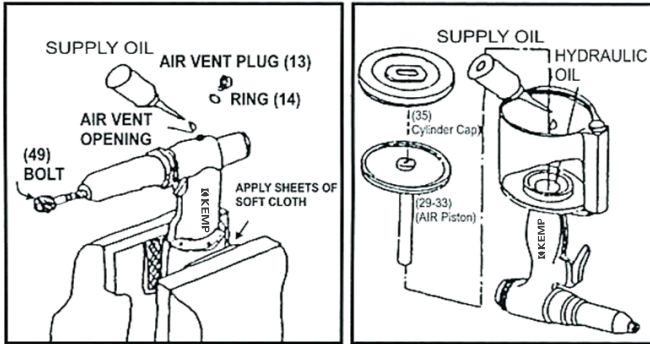
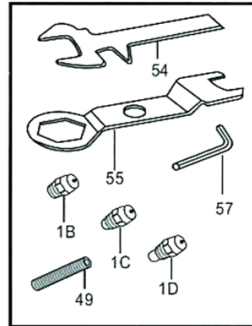
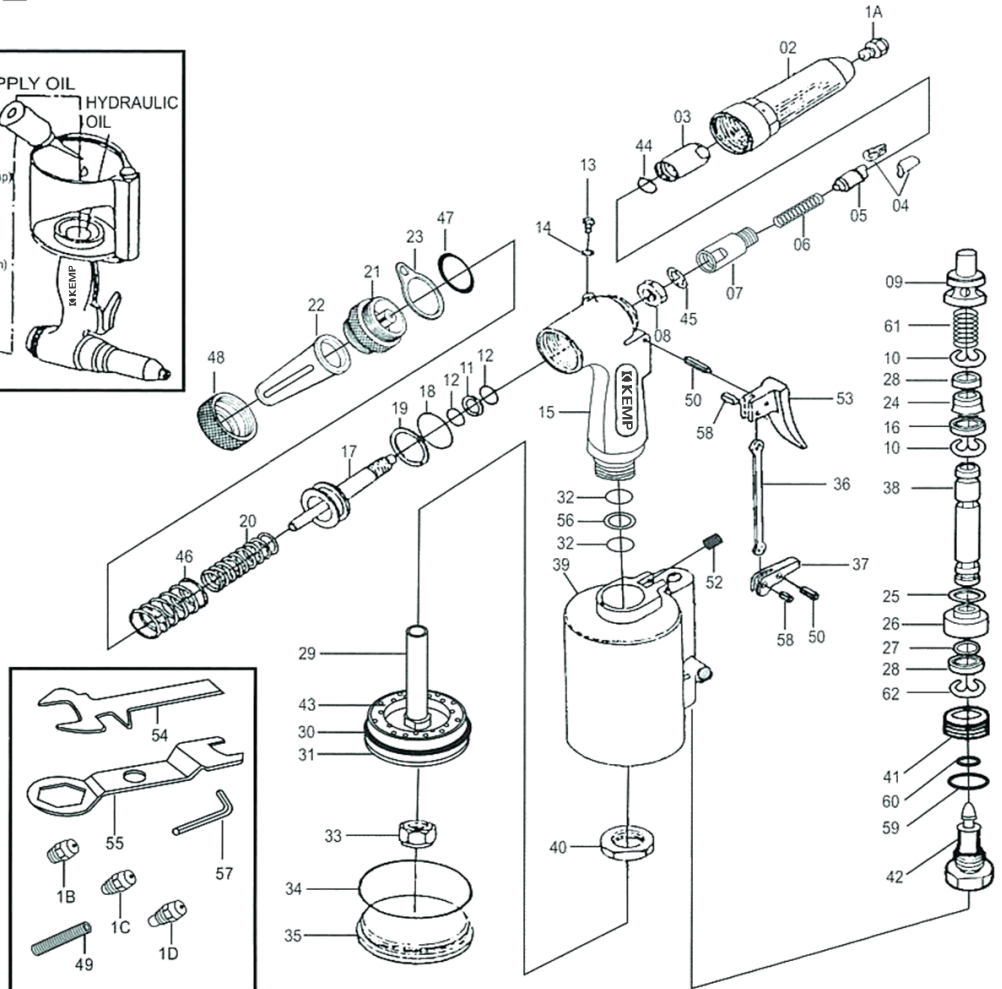
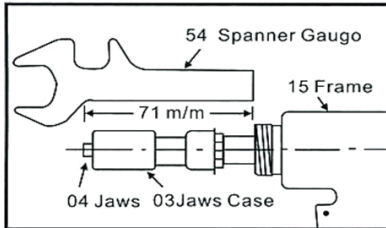


## ENERGY SAVING TYPE

### ADDING OIL METHOD



### ADJUSTING LENGTH



NO.	PART NO.	DESCRIPTION	Qty	NO.	PART NO.	DESCRIPTION	Qty	NO.	PART NO.	DESCRIPTION	Qty
1A	141 11 300 001	Nose Piece 4.8m/m(3/16")	1	20	141 11 300 020	Return Spring (Small)	1	42	141 11 300 042	End Plug	1
1B	141 11 300 201	Nose Piece 4.0m/m(5/32")	1	21	141 11 300 021	Frame Cap	1	43	141 11 300 043	Bumper Cushion	1
1C	141 11 300 301	Nose Piece 3.2m/m(1/8")	1	22	141 11 300 022	Safety Cap	1	44	141 11 300 044	Jaw Case O Ring	1
1D	141 11 300 401	Nose Piece 2.4m/m(3/32")	1	23	141 11 300 023	Hanger Clip	1	45	141 11 300 045	Lock Washer	1
02	141 11 300 002	Nose Housing 87L	1	24	141 11 300 024	Air Valve Seat	1	46	141 11 300 046	Return Spring (Big)	1
03	141 11 300 003	Jaws Case	1	25	141 11 300 025	O Ring	1	47	141 11 300 047	Frame Cap Ring	1
04	141 11 300 004	Jaws (5 x 10)	2	26	141 11 300 026	Valve Seat	1	48	141 11 300 048	Safety Cap Nut	1
05	141 11 300 005	Jaw Pusher	1	27	141 11 300 027	O Ring	1	49	141 11 300 049	Bolt Plug(M8X35L)	1
06	141 11 300 006	Jaw Case Spring	1	28	141 11 300 028	Valve Collar Washer	2	50	141 11 300 050	Spring Pin 3x20	1
07	141 11 300 007	Jaw Case Back Part	1	29	141 11 300 029	Air Piston Rod	1	51	141 11 300 051	Spring Pin 3x18	1
08	141 11 300 008	Jaw Case Lock Nut	1	30	141 11 300 030	O Ring	1	52	141 11 300 052	Lock Screw	1
09	141 11 300 009	Valve Pusher	1	31	141 11 300 031	Air Piston	1	53	141 11 300 053	Trigger (Long)	1
10	141 11 300 010	E Ring	2	32	141 11 300 032	O Ring	2	54	141 11 300 054	Spanner Gauge 17 , 15 , 71	1
11	141 11 300 011	Back Up Ring	1	33	141 11 300 033	Lock Nut	1	55	141 11 300 055	Spanner 24, 15, 10	1
12	141 11 300 012	O Ring	2	34	141 11 300 034	O Ring	1	56	141 11 300 056	Back Up Ring	1
13	141 11 300 013	Air Blow Plug	1	35	141 11 300 035	Cylinder Cap	1	57	141 11 300 057	Hex Wrench(4MM)	1
14	141 11 300 014	Packing Seal	1	36	141 11 300 036	Trigger Rod	1	58	141 11 300 058	Trigger Pin	2
15	141 11 300 015	Frame	1	37	141 11 300 037	Trigger Lever	1	59	141 11 300 059	O Ring	1
16	141 11 300 016	Collar for Valve Tube	1	38	141 11 300 038	Valve Tube	1	60	141 11 300 060	Seal	1
17	141 11 300 017	Oil Piston	1	39	141 11 300 039	Air Cylinder	1	61	141 11 300 061	Pusher Spring	1
18	141 11 300 018	O Ring	1	40	141 11 300 040	Frame Lock Nut	1	62	141 11 300 062	E Ring	1
19	141 11 300 019	Back Up Ring	1	41	141 11 300 041	Nipple Screw	1				

※ Please Always Ensure The Part No. 13 Air Blow Plug Tight Threaded

A-EBT-HN1-S16T102 A