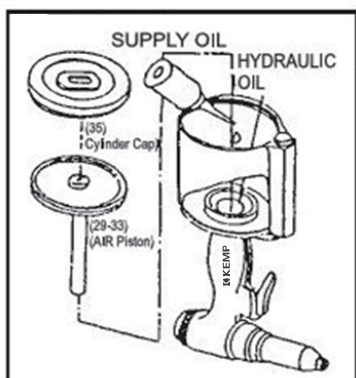
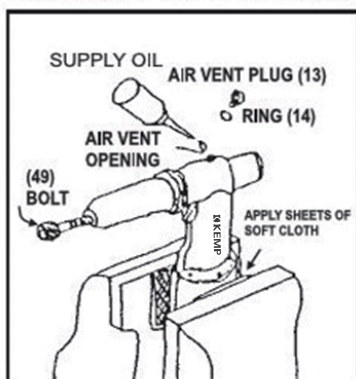
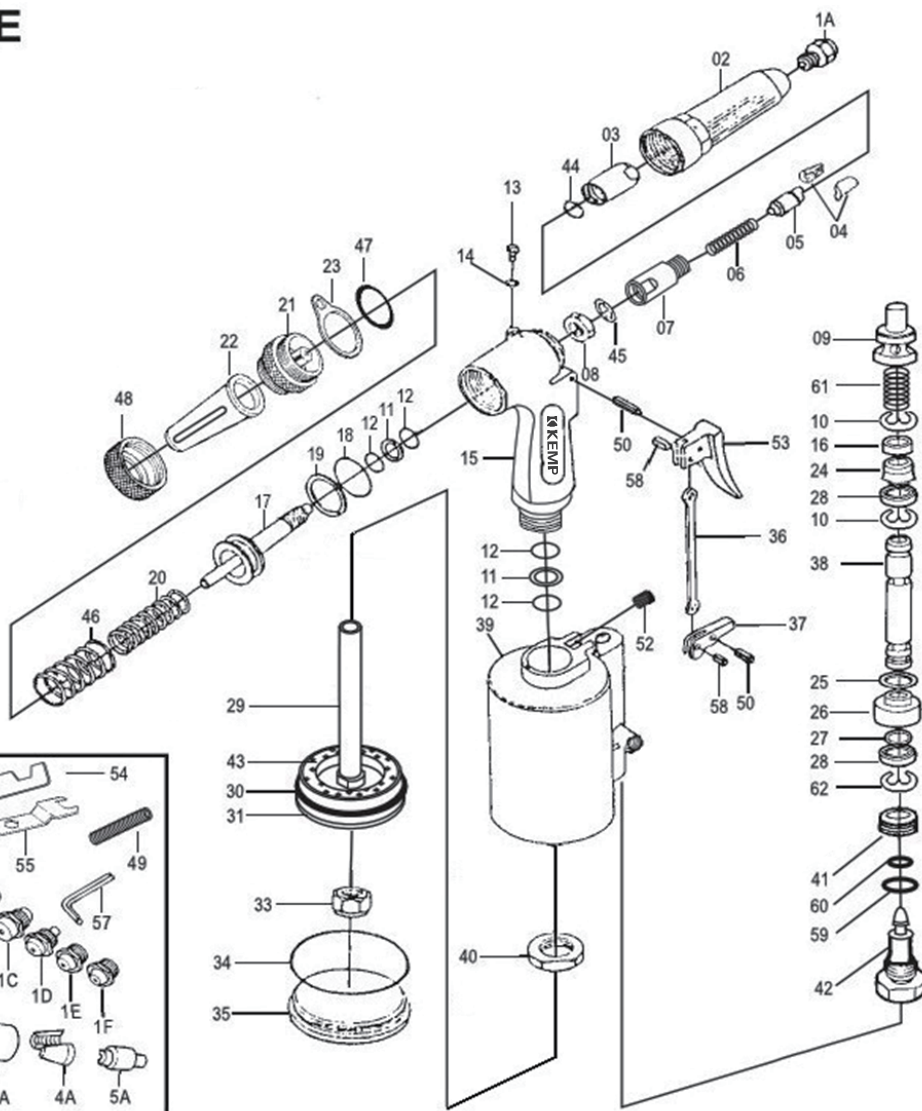
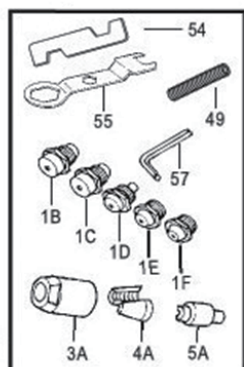
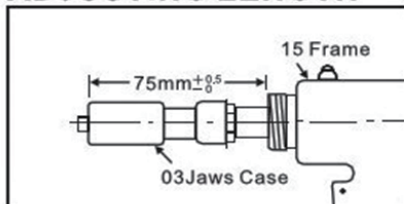


## ENERGY SAVING TYPE ADDING OIL METHOD



## ADJUSTING LENGTH



NO.	PART NO.	DESCRIPTION	Qty	NO.	PART NO.	DESCRIPTION	Qty	NO.	PART NO.	DESCRIPTION	Qty
1A	141 11 304 001	Nose Piece 6.4m/m(1/14")	1	17	141 11 304 017	Oil Piston	1	41	141 11 304 041	Nipple Screw	1
1B	141 11 304 201	Nose Piece 6.0m/m(7/32")	1	18	141 11 304 018	O Ring	1	42	141 11 304 042	End Plug	1
1C	141 11 304 301	Nose Piece 4.8m/m(3/16")	1	19	141 11 304 019	Back Up Ring	1	43	141 11 304 043	Rubber Cushion	1
1D	141 11 304 401	Nose Piece 4.0m/m(5/32")	1	20	141 11 304 020	Return Spring (Inner)	1	44	141 11 304 044	Jaw Case O Ring	1
1E	141 11 304 501	Nose Piece 3.2m/m(1/8")	1	21	141 11 304 021	Frame Cap	1	45	141 11 304 045	Washer Ring	1
1F	141 11 304 601	Nose Piece 2.4m/m(3/32")	1	22	141 11 304 022	Safety Cap	1	46	141 11 304 046	Return Spring (Outer)	1
02	141 11 304 002	Nose Housing 93L	1	23	141 11 304 023	Hanger Clip	1	47	141 11 304 047	Frame Cap O Ring	1
03	141 11 304 003	Jaw Case (3/16"~1/4")	1	24	141 11 304 024	Air Valve Seal	1	48	141 11 304 048	Cap Nut	1
3A	141 11 304 203	Jaw Case (3/32"~3/16")	1	25	141 11 304 025	O Ring	1	49	141 11 304 049	Bolt Plug 3/8"-24UNF (3/16")	1
04	141 11 304 004	Jaws (6x12)(3/16"~1/4")	2	26	141 11 304 026	Valve Seat	1	50	141 11 304 050	Pin	2
4A	141 11 304 204	Jaws (5x10)(3/32"~3/16")	2	27	141 11 304 027	O Ring	1	52	141 11 304 252	Lock Screw	1
05	141 11 304 005	Jaw Pusher (3/16"~1/4")	1	28	141 11 304 028	Ring Seal Washer	2	53	141 11 304 053	Trigger (Long)	1
5A	141 11 304 205	Jaw Pusher (3/32"~3/16")	1	29	141 11 304 029	Air Piston Rod	1	54	141 11 304 054	Spanner 17 And 19	1
06	141 11 304 006	Jaw Case spring	1	30	141 11 304 030	O Ring	1	55	141 11 304 055	Spanner 14, 28, 19	1
07	141 11 304 007	Jaw Case Back Part	1	31	141 11 304 031	Air Piston	1	56	141 11 304 056	Back Up Ring	1
08	141 11 304 008	Jaw Case Lock Nut	1	32	141 11 304 032	O Ring	2	57	141 11 304 057	Hex Wrench 3/16", 5mm	2
09	141 11 304 009	Valve Pusher	1	33	141 11 304 033	Lock Nut	1	58	141 11 304 058	Trigger Pin	2
10	141 11 304 010	E Ring	2	34	141 11 304 034	O Ring	1	59	141 11 304 059	O Ring	1
11	141 11 304 011	Back Up Ring	1	35	141 11 304 035	Cylinder Cap	1	60	141 11 304 060	Seal	1
12	141 11 304 012	O Ring	2	36	141 11 304 036	Trigger Rod	1	61	141 11 304 061	Pusher Spring	1
13	141 11 304 013	Air Blow Plug (5mm)	1	37	141 11 304 037	Trigger Lever	1	62	141 11 304 062	E Ring	1
14	141 11 304 014	Packing	1	38	141 11 304 038	Valve Tube	1				
15	141 11 304 015	Frame	1	39	141 11 304 039	Air Cylinder	1				
16	141 11 304 016	Collar for Valve Tube	1	40	141 11 304 040	Frame Lock Nut	1				

※ Please Always Ensure The Part No. 13 Air Blow Plug Tight Threaded