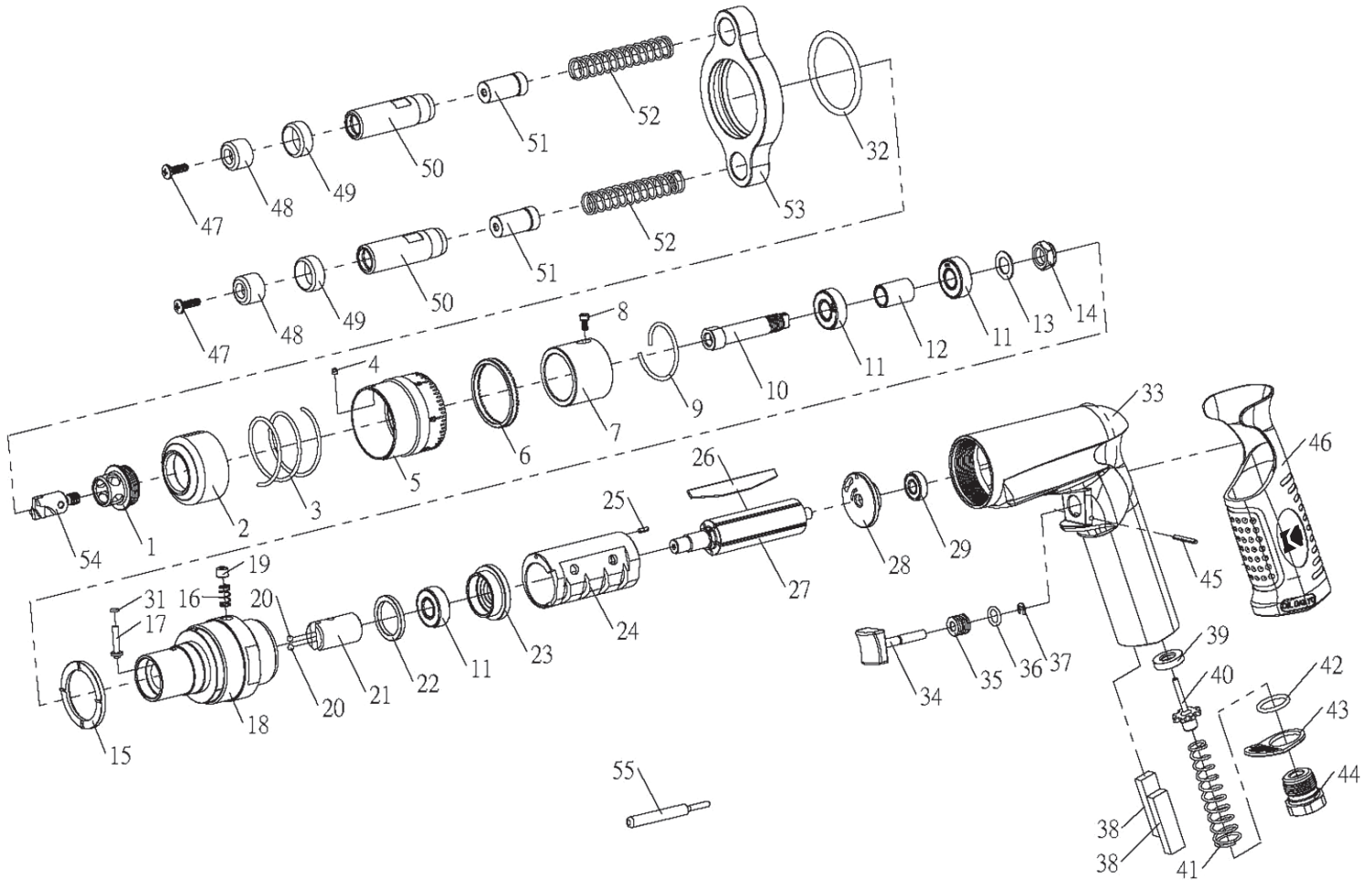


# KEMP A-ESP-G41-P09R210 1/2" AIR RIVET SHAVER



NO.	PART NO.	DESCRIPTION	Qty	NO.	PART NO.	DESCRIPTION	Qty
1	148 04 140 001	Cutter Skirt (1/2")	1	29	148 04 140 029	Ball Bearing	1
2	148 04 140 002	Nose Piece	1	30	148 04 140 030	O-Ring	1
3	148 04 140 003	Compression Spring	1	31	148 04 140 031	O-Ring	1
4	148 04 140 004	Pin	1	33	148 04 140 033	Housing	1
5	148 04 140 005	Adjustment Ring	1	34	148 04 140 034	Trigger	1
6	148 04 140 006	Gear Ring	1	35	148 04 140 035	Trigger Sleeve	1
7	148 04 140 007	Nose Piece Slide	1	36	148 04 140 036	O-Ring (ID7.65x1.78)	1
8	148 04 140 008	Screw	1	37	148 04 140 037	Retaining Ring	1
9	148 04 140 009	Compression Spring	1	38	148 04 140 038	Silencer Pad	2
10	148 04 140 010	Drive Shaft	1	39	148 04 140 039	Washer	1
11	148 04 140 011	Ball Bearing	3	40	148 04 140 040	Pin Valve Rod	1
12	148 04 140 012	Spacer	1	41	148 04 140 041	Trigger Spring	1
13	148 04 140 013	Washer	1	42	148 04 140 042	O-Ring (ID15x2)	1
14	148 04 140 014	Lock Nut	1	43	148 04 140 043	Exhaust Cap	1
15	148 04 140 015	Stopper Ring	1	44	148 04 140 044	Air Inlet	1
16	148 04 140 016	Spring	1	45	148 04 140 045	Spring Pin (Ø2x20)	1
17	148 04 140 017	Activity Pin	1	46	148 04 140 046	Housing Cover	1
18	148 04 140 018	Rivet Shaver Housing	1	47	148 04 140 047	Screw	2
19	148 04 140 019	Stopper Pin	1	48	148 04 140 048	Flang Rubber Shield	2
20	148 04 140 020	Rubber Ball (1/8")	2	49	148 04 140 049	Cover	2
21	148 04 140 021	Extension Adapter	1	50	148 04 140 050	Clamp Nut	2
22	148 04 140 022	Spacer	1	51	148 04 140 051	Silde Pin	2
23	148 04 140 023	Front End Plate	1	52	148 04 140 052	Spring	2
24	148 04 140 024	Cylinder	1	53	148 04 140 053	Arm	1
25	148 04 140 025	Spring Pin (Ø2x6)	1	54	148 04 140 054	Rivet Shave Bit (1/2")	1
26	148 04 140 026	Rotor Blade	5	55	148 04 140 055	Adjust Pole	1
27	148 04 140 027	Rotor	1				
28	148 04 140 028	Rear End Plate	1				