

X-PROTINT®

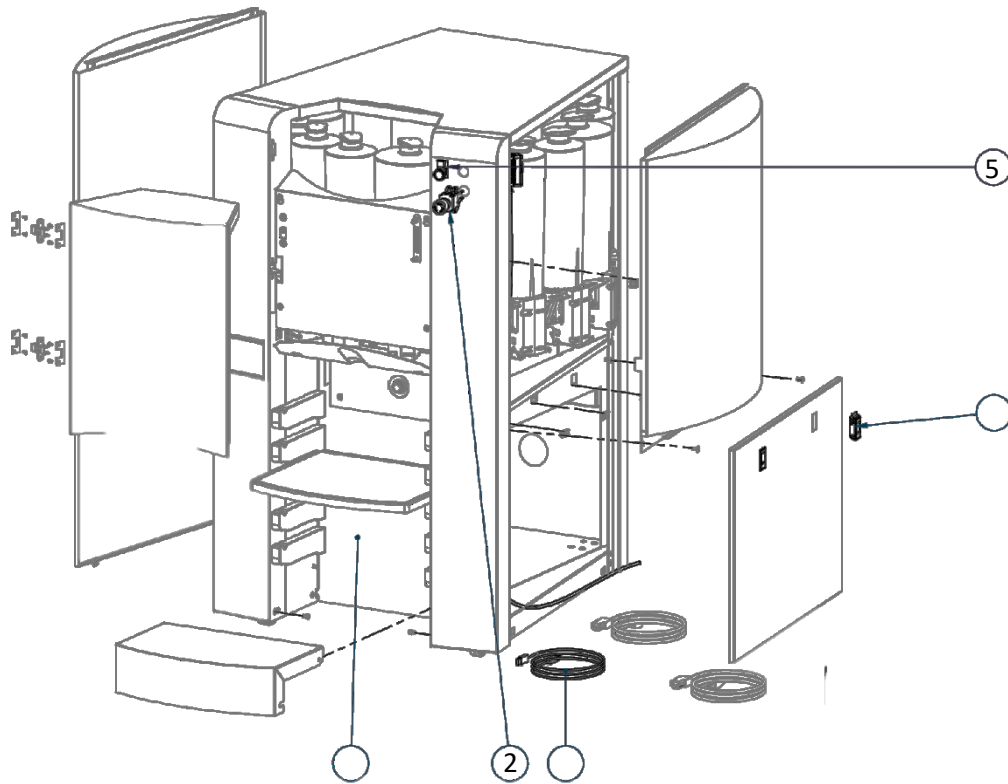


*Rev(A)
June 25, 2019*

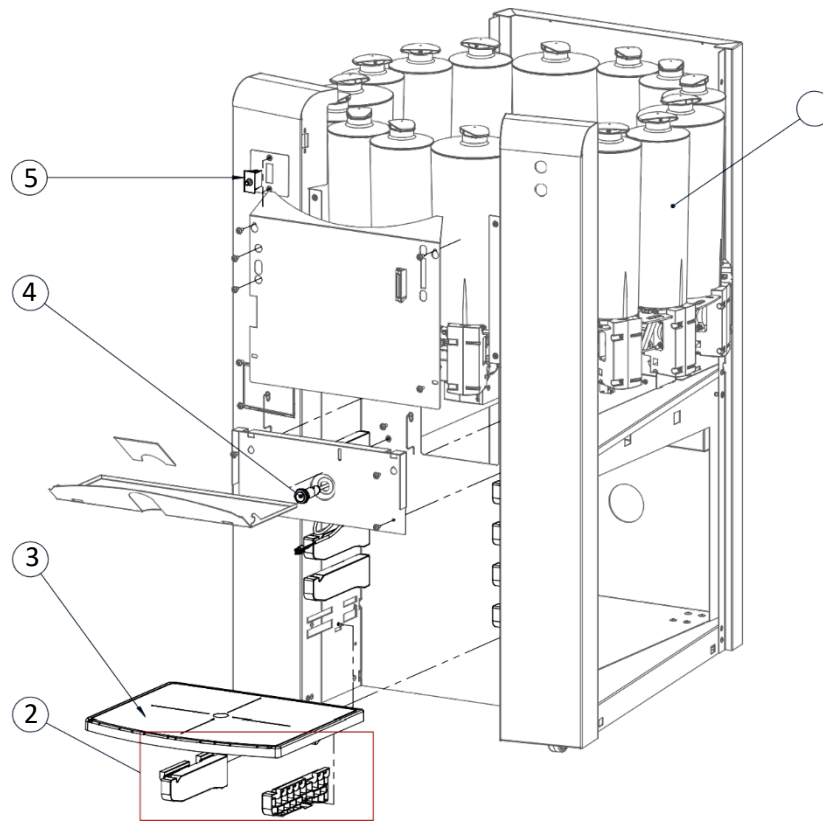
X-PROTINT® SPARE PARTS QUICK REFERENCE

Page	Reference	Part #	Description	Notes
<u>1</u>	<u>2</u>	<u>1864937-SP</u>	<u>Emergency switch complete</u>	
<u>1</u>	<u>5</u>	<u>1817218-SP</u>	<u>USB Communication Cable</u>	
<u>2</u>	<u>2</u>	<u>1819224-SP</u>	<u>Shelf holder left & right (set 1pc)</u>	
<u>2</u>	<u>3</u>	<u>1819000-SP</u>	<u>Can table X-PROTINT®</u>	
<u>2</u>	<u>4</u>	<u>1818952-SP</u>	<u>Can sensorY</u>	
<u>2</u>	<u>5</u>	<u>1819245-SP</u>	<u>Door switch assy</u>	
<u>3</u>	<u>3</u>	<u>1819225-SP</u>	<u>Turntable motor, compl. (set 1pc)</u>	<u>Page 7442</u>
<u>3</u>	<u>5</u>	<u>1819222-SP</u>	<u>SDM X-PROTINT®</u>	<u>Page 7423</u>
<u>4</u>	<u>1</u>	<u>1818774-SP</u>	<u>Cap, spindle, encoder</u>	
<u>4</u>	<u>2</u>	<u>1818776-SP</u>	<u>Motor, stepper</u>	
<u>4</u>	<u>4</u>	<u>1816552-SP</u>	<u>Gripper</u>	
<u>4</u>	<u>5</u>	<u>1818775-SP</u>	<u>Actuator, valve, SDM (set 2pcs)</u>	
<u>4</u>	<u>6</u>	<u>1818911-SP</u>	<u>Motor, valve</u>	
<u>5</u>	<u>1</u>	<u>1819325-SP</u>	<u>Brush (set 1pc)</u>	
<u>5</u>	<u>2</u>	<u>1819282-SP</u>	<u>Container and brush set1pc</u>	
<u>5</u>	<u>3</u>	<u>1818541-SP</u>	<u>Latch, push-in/out</u>	
<u>6</u>	<u>1</u>	<u>1862422-SP</u>	<u>Wheel, traversing, centric,35mm</u>	
<u>7</u>	<u>1</u>	<u>1819220-SP</u>	<u>Canister & pump 2.3L (solvent)</u>	
<u>7</u>	<u>2</u>	<u>1819218-SP</u>	<u>Canister & pump 2.3L</u>	<u>Page 7451</u>
<u>7</u>	<u>3</u>	<u>1819221-SP</u>	<u>Canister & pump 4.6L (solvent)</u>	
<u>7</u>	<u>4</u>	<u>1819219-SP</u>	<u>Canister & pump 4.6L</u>	<u>Page 7452</u>
<u>7</u>	<u>5</u>	<u>1816579-SP</u>	<u>Agitation, plate support (set 3pcs)</u>	
<u>7</u>	<u>6</u>	<u>1818800-SP</u>	<u>Agitation, disc (set 3pcs)</u>	
<u>8</u>	<u>1</u>	<u>1819049-SP</u>	<u>Netentry</u>	
<u>8</u>	<u>3</u>	<u>1819050-SP</u>	<u>Fuse, 5AT, 250V (set 10pcs)</u>	
<u>9</u>	<u>2</u>	<u>1819225-SP</u>	<u>Turntable motor, compl. (set 1pc)</u>	
<u>10</u>	<u>1</u>	<u>1818806-SP</u>	<u>Agitation, crank (2pcs)</u>	
<u>10</u>	<u>2</u>	<u>1818782-SP</u>	<u>Turntable bearing (set 1pc)</u>	
<u>10</u>	<u>3</u>	<u>1818917-SP</u>	<u>Motor, agitation</u>	
<u>11</u>	<u>2</u>	<u>1818807-SP</u>	<u>Rod agitation (set 4pcs)</u>	
<u>11</u>	<u>3</u>	<u>1818813-SP</u>	<u>Agitator 2.3L (set 4pcs)</u>	
<u>11</u>	<u>4</u>	<u>1818815-SP</u>	<u>Cover agitator (set 16 pcs)</u>	
<u>11</u>	<u>5</u>	<u>1818808-SP</u>	<u>Canister lid 2.3L (set 4pcs)</u>	
<u>12</u>	<u>2</u>	<u>1818807-SP</u>	<u>Rod Agitation (set 4pcs)</u>	
<u>12</u>	<u>3</u>	<u>1818814-SP</u>	<u>Agitator 4.6L (set 4pcs)</u>	
<u>12</u>	<u>4</u>	<u>1818815-SP</u>	<u>Cover Agitator (set 16pcs)</u>	
<u>12</u>	<u>5</u>	<u>1818810-SP</u>	<u>Canister Lid 4.6L (set 4pcs)</u>	

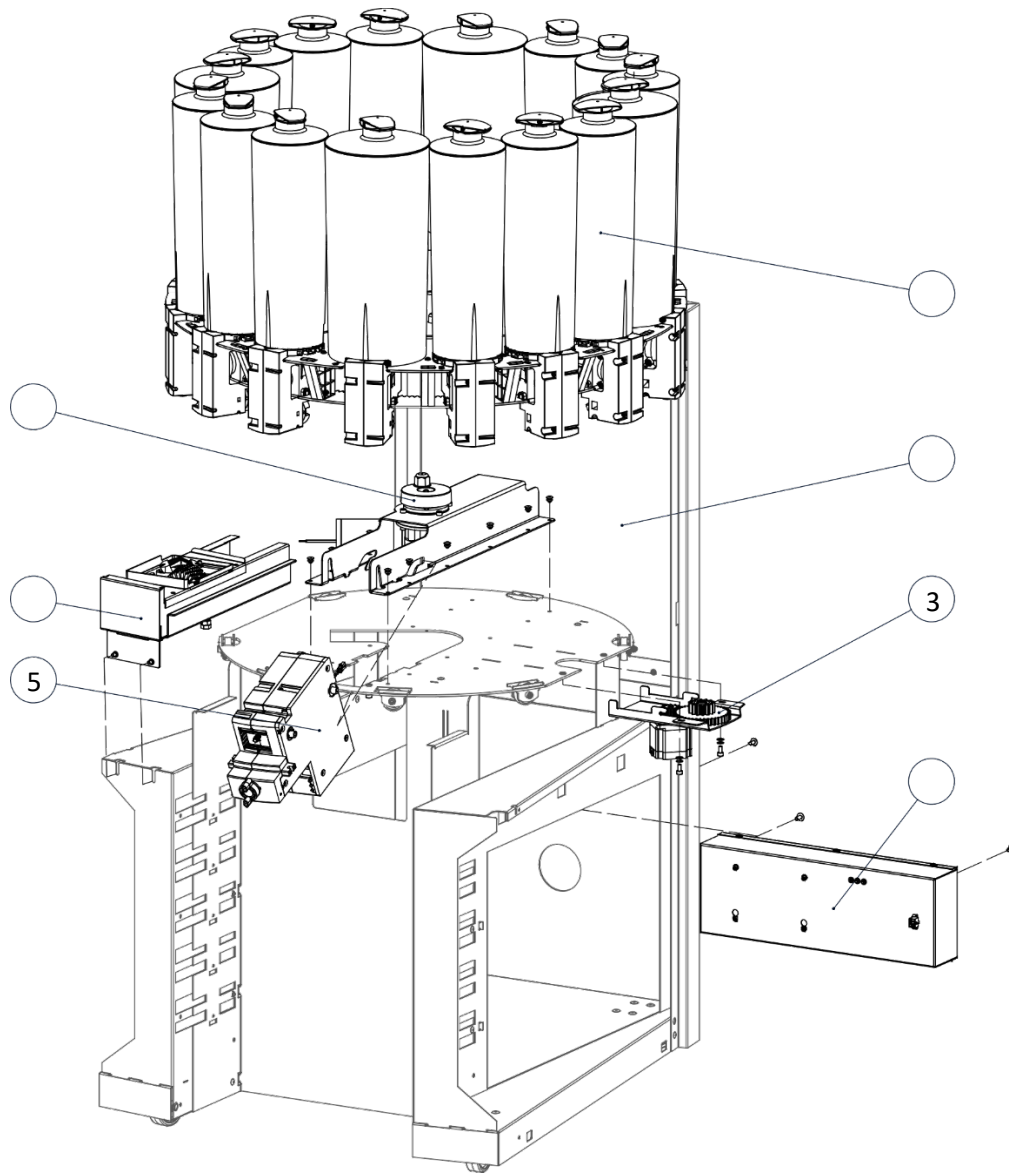
* Recommended Spare parts highlighted in yellow



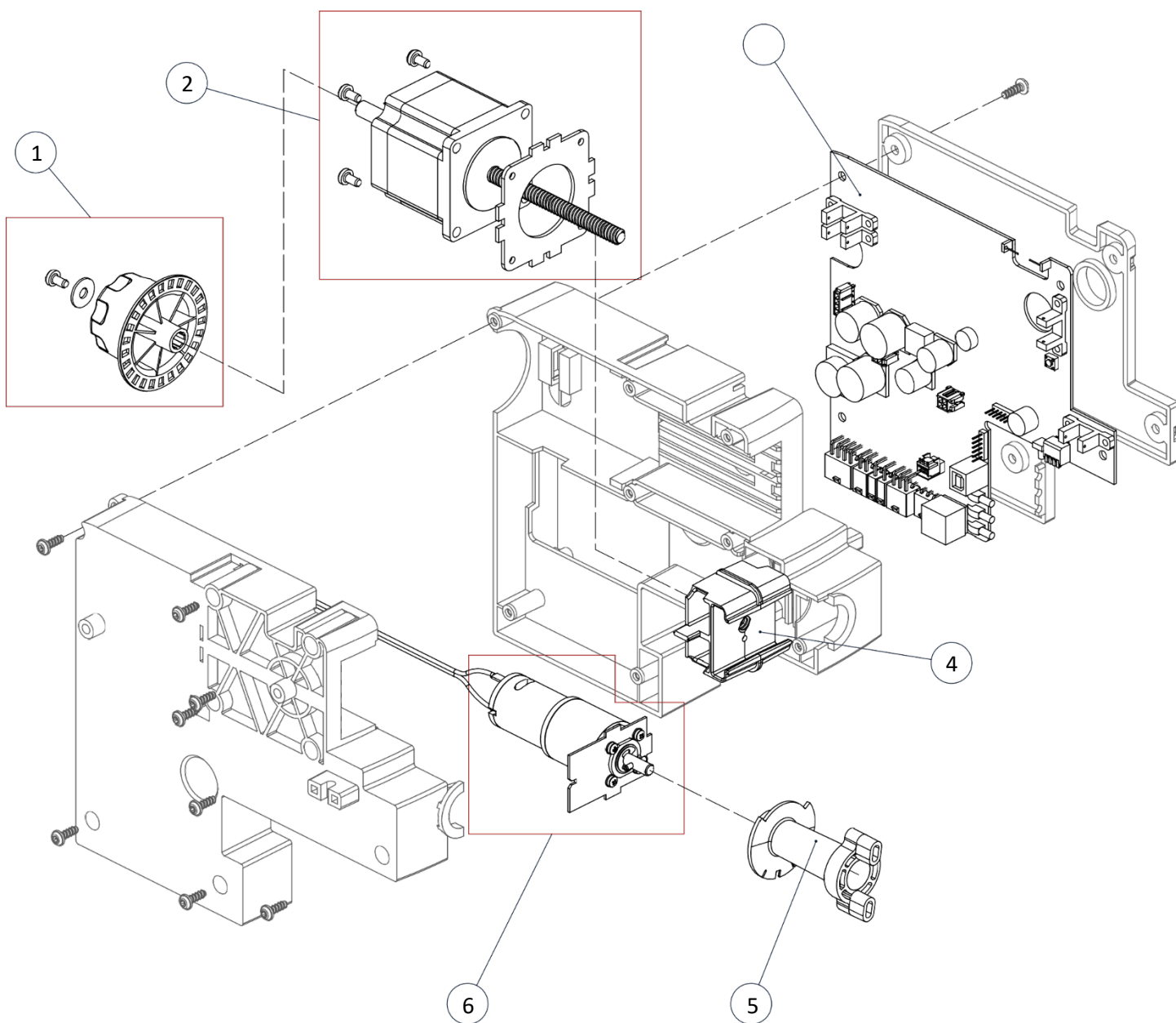
	Part #	Description	Notes
2	1864937-SP	Emergency switch complete	
5	1817218-SP	USB Communication Cable	



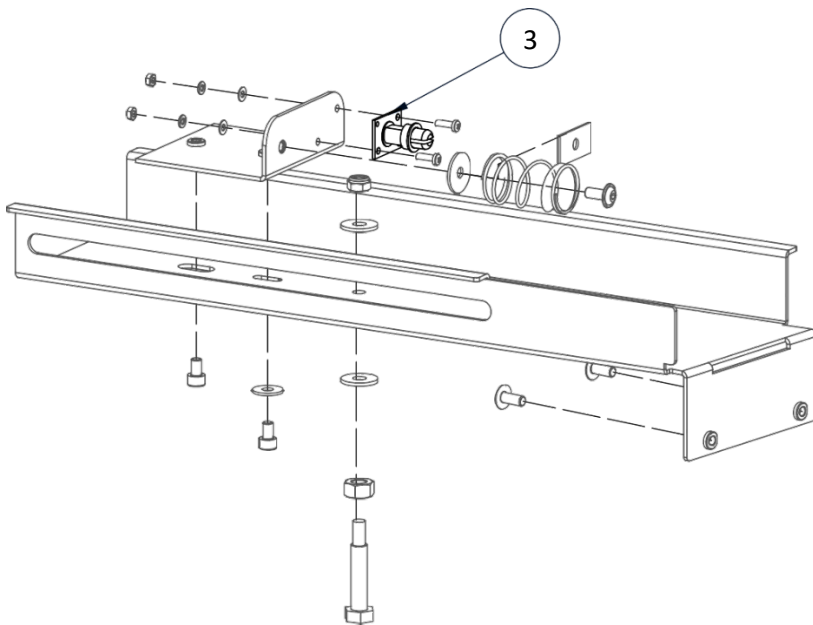
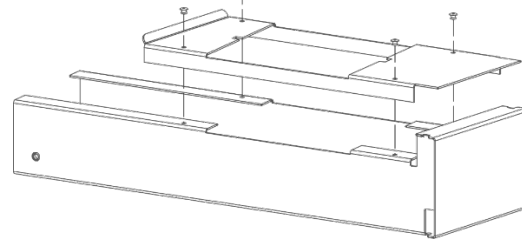
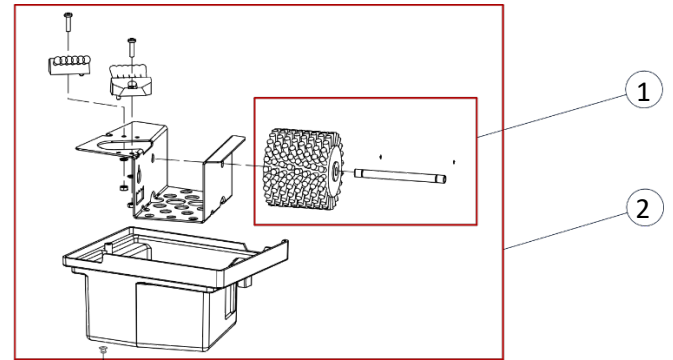
	Part #	Description	Notes
2	1819224-SP	Shelf holder left & right (set 1pc)	
3	1819000-SP	Can table X-PROTINT®	
4	1818952-SP	Can sensor Y	
5	1819245-SP	Door switch assy	



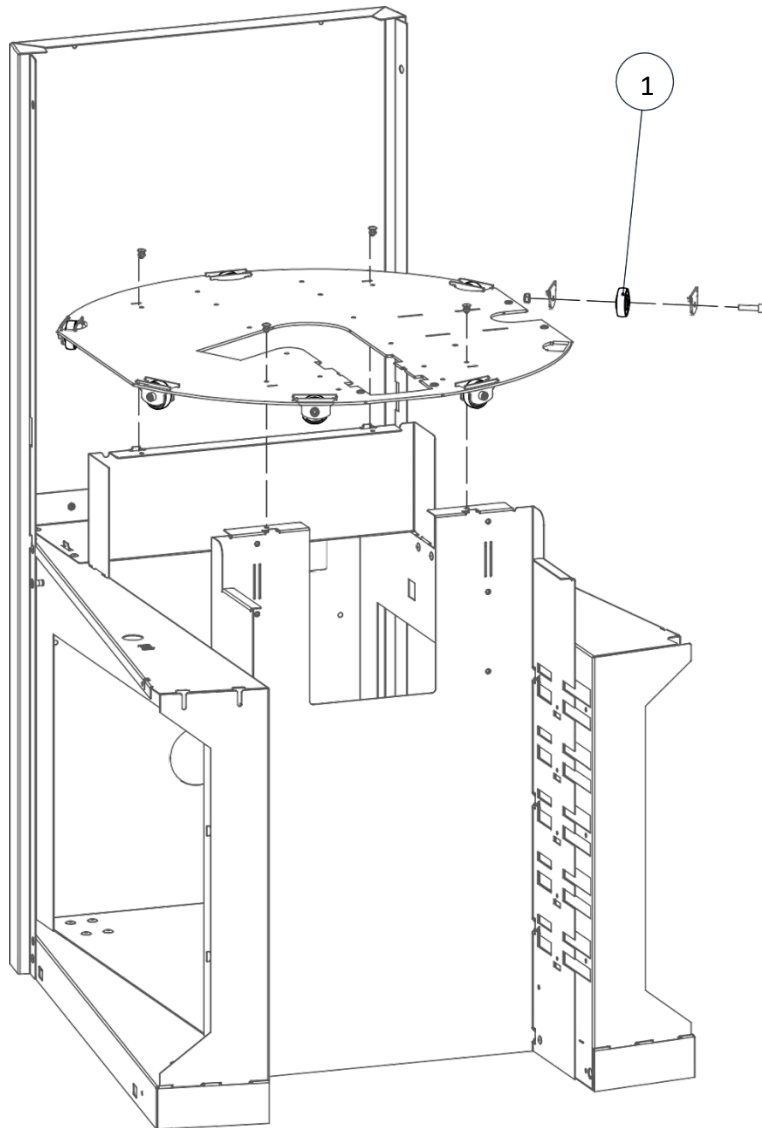
	Part #	Description	Notes
3	1819225-SP	Turntablemotor, compl. (set 1pc)	Page 7442
5	1819222-SP	SDM X-PROTINT®	Page 7423



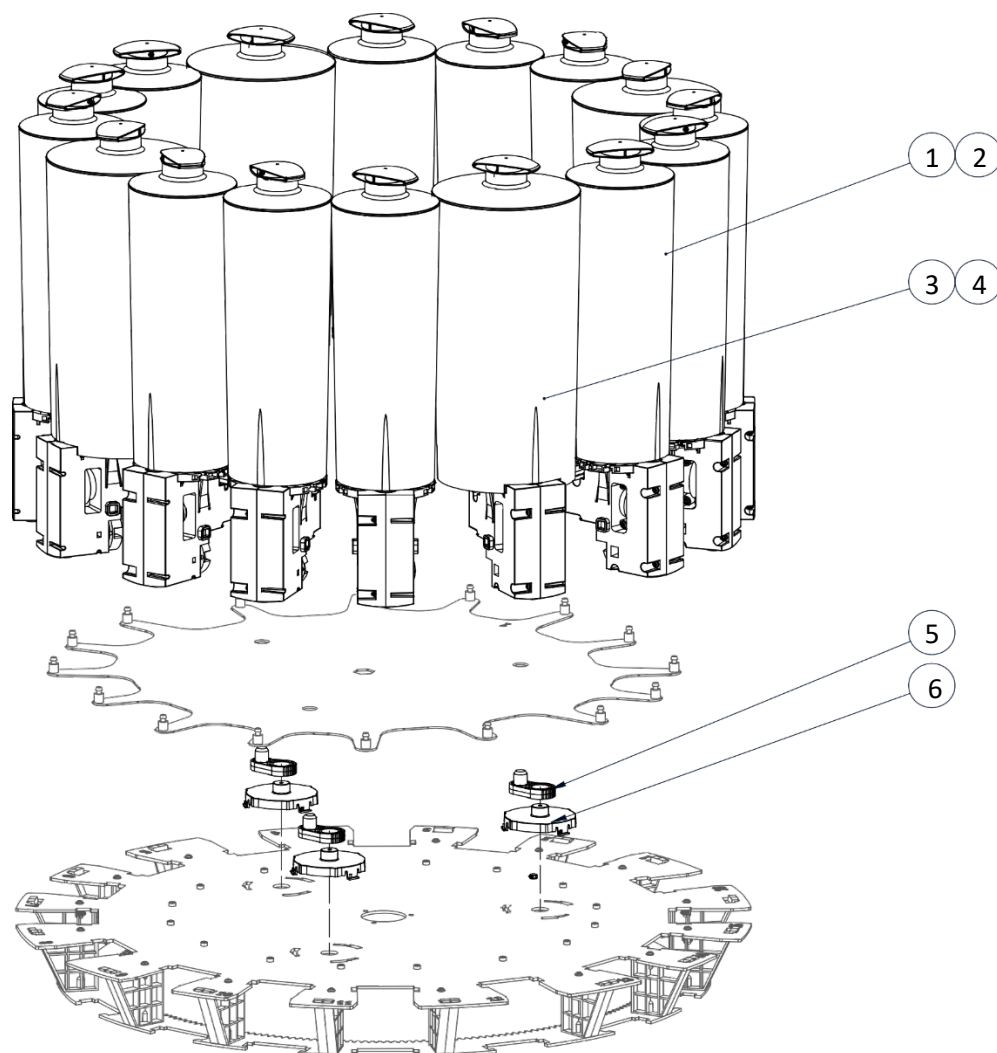
	Part #	Description	Notes
1	1818774-SP	Cap, spindle, encoder	
2	1818776-SP	Motor, stepper	
4	1816552-SP	Gripper	
5	1818775-SP	Actuator, valve, SDM (set 2pcs)	
6	1818911-SP	Motor, valve	



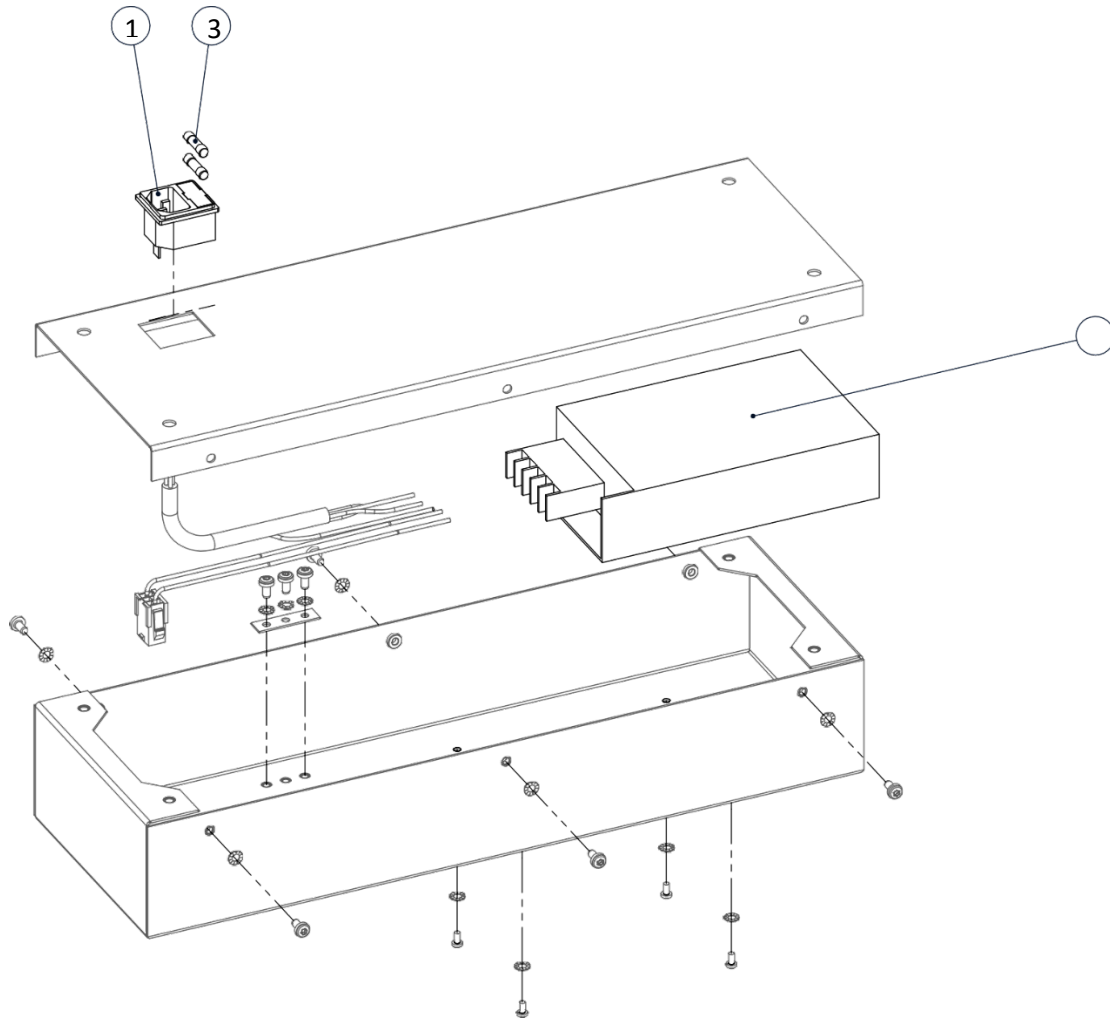
	Part #	Description		Notes
1	1819325-SP	Brush (set 1pc)		
2	1819282-SP	Container and brush (set 1pc)		
3	1818541-SP	Latch, push-in/out		



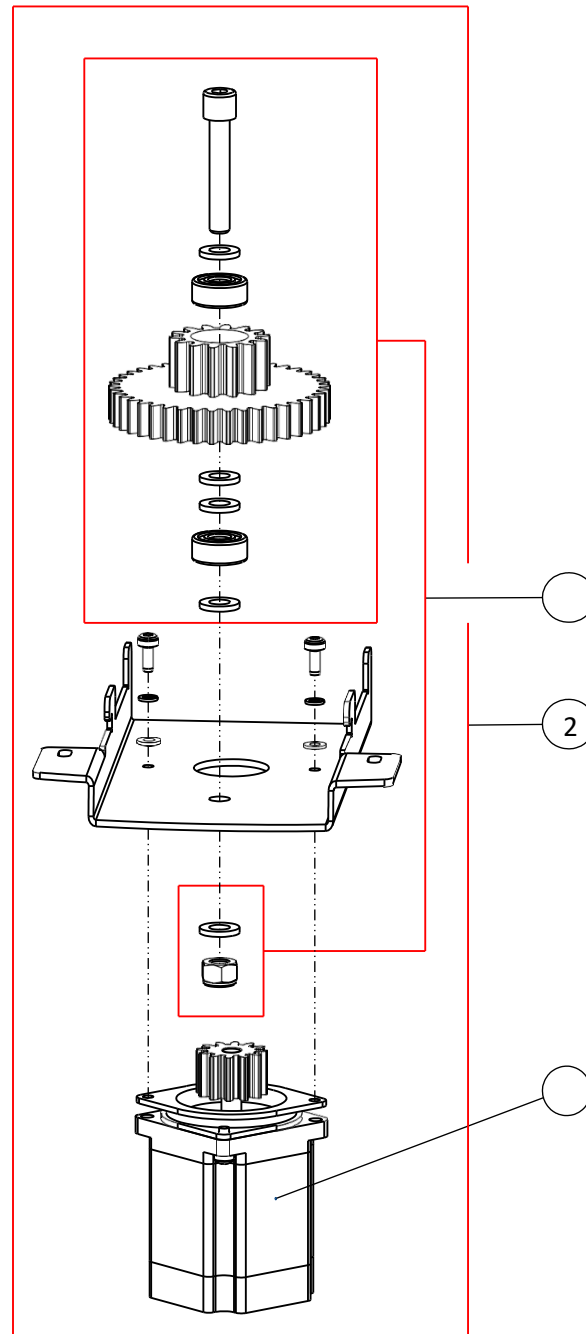
	Part #	Description	Notes
1	1862422-SP	Wheel, traversing, centric,35mm	



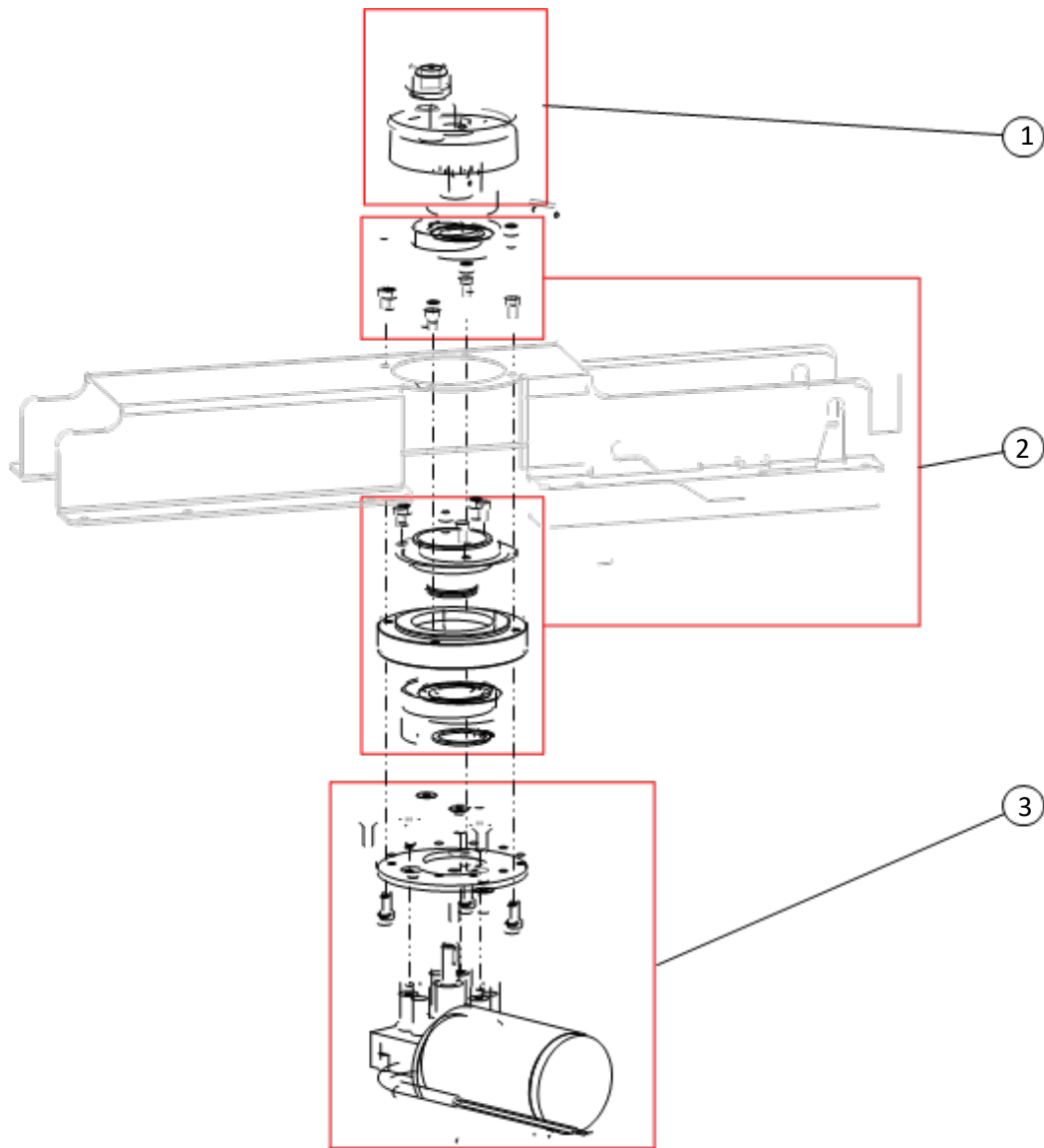
	Part #	Description	Notes
1	1819220-SP	Canister & pump 2.3L (solvent)	
2	1819218-SP	Canister & pump 2.3L	Page 7451
3	1819221-SP	Canister & pump 4.6L (solvent)	
4	1819219-SP	Canister & pump 4.6L	Page 7452
5	1816579-SP	Agitation, plate support (set 3pcs)	
6	1818800-SP	Agitation, disc (set 3pcs)	



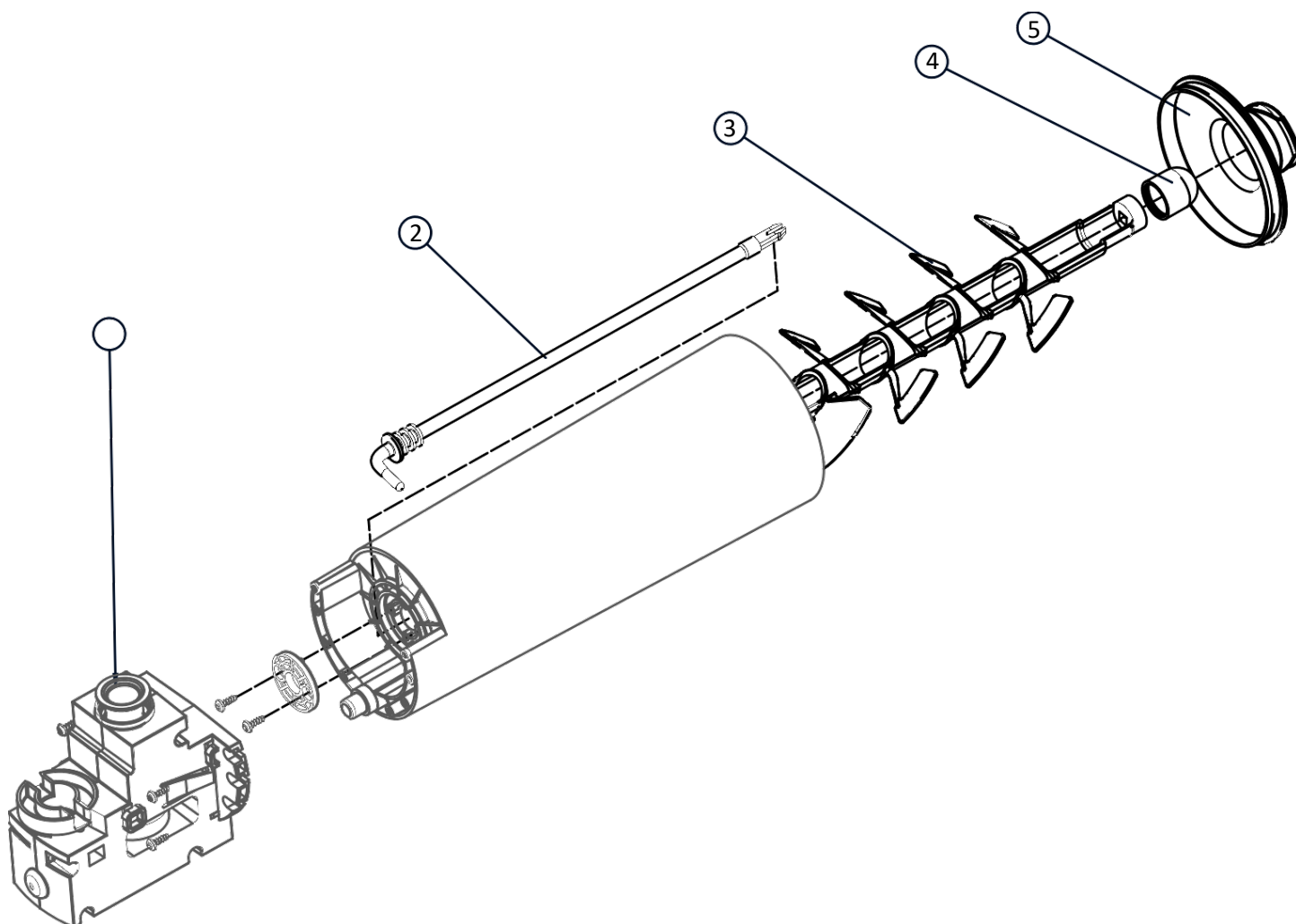
	Part #	Description	Notes
<u>1</u>	1819049-SP	Netentry	
<u>3</u>	1819050-SP	Fuse, 5AT, 250V (set 10pcs)	



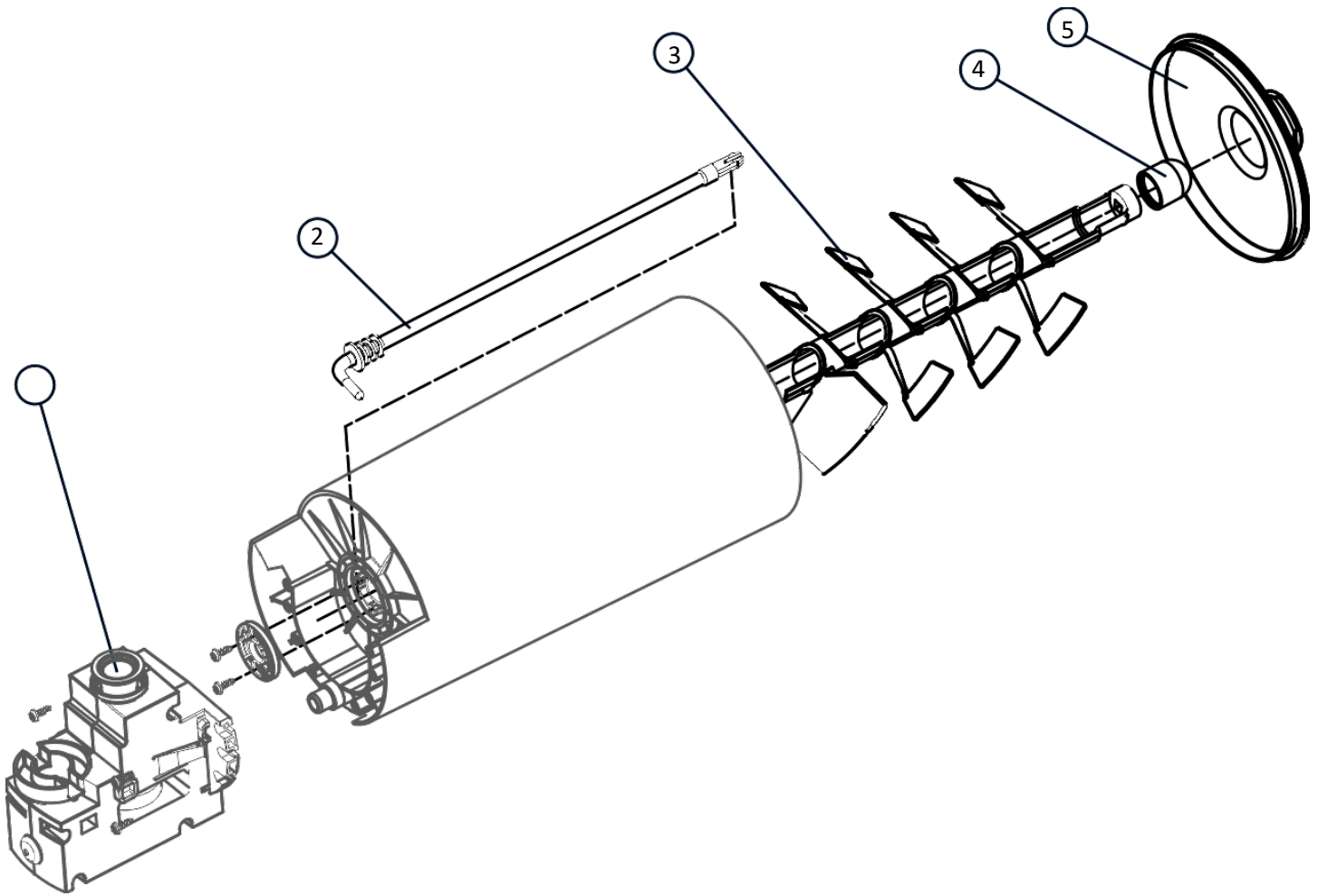
	Part #	Description	Notes
2	1819225-SP	Turntable motor, compl. (set 1pc)	



	Part #	Description	Notes
1	1818806-SP	Agitation, crank (2pcs)	
2	1818782-SP	Turntable bearing (set 1pc)	
3	1818917-SP	Motor, agitation	



	Part #	Description	Notes
2	1818807-SP	Rod agitation (set 4pcs)	
3	1818813-SP	Agitator 2.3L (set 4pcs)	
4	1818815-SP	Cover agitator (set 16 pcs)	
5	1818808-SP	Canister lid 2.3L (set 4pcs)	



	Part #	Description	Notes
2	1818807-SP	Rod Agitation (set 4pcs)	
3	1818814-SP	Agitator 4.6L (set 4pcs)	
4	1818815-SP	Cover Agitator (set 16pcs)	
5	1818810-SP	Canister Lid 4.6L (set 4pcs)	