

# X-SMART®

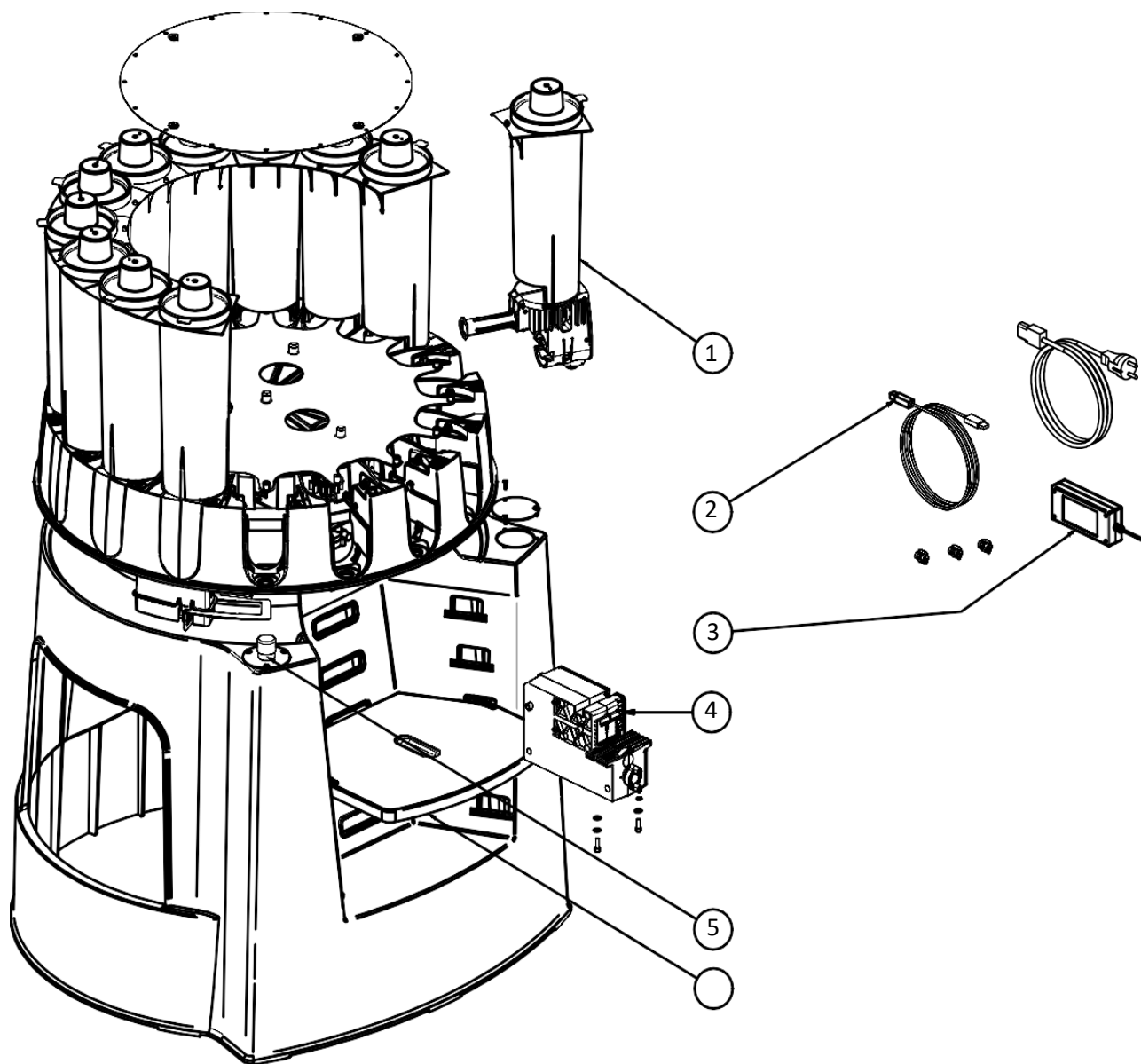


*Rev(A)  
June 18, 2019*

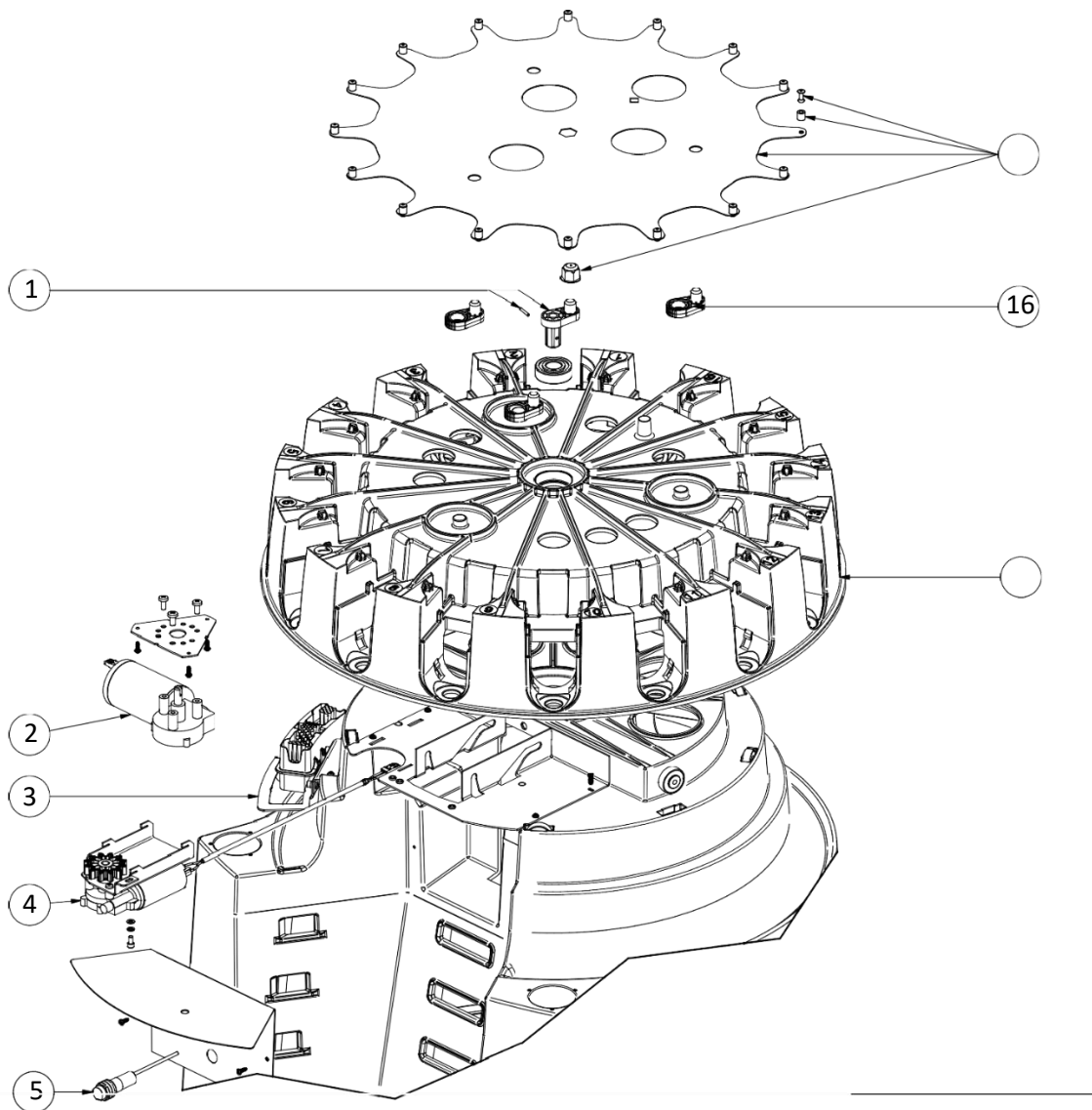
## X-SMART® SPARE PARTS QUICK REFERENCE

Page	Reference	Part #	Description	Notes
<u>1</u>	<u>1</u>	<a href="#">1817771-SP</a>	<a href="#">Canister pump, X-SMART, with PTFE Piston</a>	
<u>1</u>	<u>2</u>	<a href="#">1817218-SP</a>	<a href="#">Cable, USB-Bm, USB-Am</a>	
<u>1</u>	<u>3</u>	<a href="#">1862138-SP</a>	<a href="#">Power supply, ETC70-24, 24vdc</a>	
<u>1</u>	<u>4</u>	<a href="#">1817811-SP</a>	<a href="#">MDU-assembly</a>	
<u>1</u>	<u>5</u>	<a href="#">1817356-SP</a>	<a href="#">Emergency switch, X-SMART</a>	
<u>2</u>	<u>1</u>	<a href="#">1816578-SP</a>	<a href="#">Agitation, Crank, X-SMART</a>	
<u>2</u>	<u>2</u>	<a href="#">1817364-SP</a>	<a href="#">Motor, agitation, X-SMART</a>	
<u>2</u>	<u>3</u>		<a href="#">Brush</a>	<a href="#">Page 6540</a>
<u>2</u>	<u>4</u>		<a href="#">Motor, turntable</a>	<a href="#">Page 6535</a>
<u>2</u>	<u>5</u>	<a href="#">1817104-SP</a>	<a href="#">Can sensor, X-SMART</a>	
<u>2</u>	<u>16</u>	<a href="#">1816579-SP</a>	<a href="#">Agitation, plate support, set (3pcs)</a>	
<u>3</u>	<u>1</u>	<a href="#">1816506-SP</a>	<a href="#">Rod, agitation</a>	
<u>3</u>	<u>2</u>	<a href="#">1816507-SP</a>	<a href="#">Stirrer</a>	
<u>3</u>	<u>3</u>	<a href="#">1816581-SP</a>	<a href="#">Lid, canister, 2.3L</a>	
<u>4</u>	<u>1</u>	<a href="#">1864398-SP</a>	<a href="#">Motor, stepper &amp; spindle</a>	
<u>4</u>	<u>2</u>	<a href="#">1816552-SP</a>	<a href="#">Gripper, X-SMART</a>	
<u>4</u>	<u>4</u>	<a href="#">1817109-SP</a>	<a href="#">Motor, valve, 24VDC, 20RPM</a>	
<u>4</u>	<u>5</u>	<a href="#">1816593-SP</a>	<a href="#">Valve Actuator, X-SMART</a>	
<u>5</u>	<u>1</u>	<a href="#">1864807-SP</a>	<a href="#">Motor, turntable, X-SMART</a>	
<u>6</u>	<u>1</u>	<a href="#">1817512-SP</a>	<a href="#">Rotary Brush</a>	
<u>6</u>	<u>3</u>	<a href="#">1817385-SP</a>	<a href="#">Brush, X-SMART</a>	
<u>7</u>	<u>1</u>	<a href="#">1817374-SP</a>	<a href="#">Latch, cam, set (4 pcs)</a>	

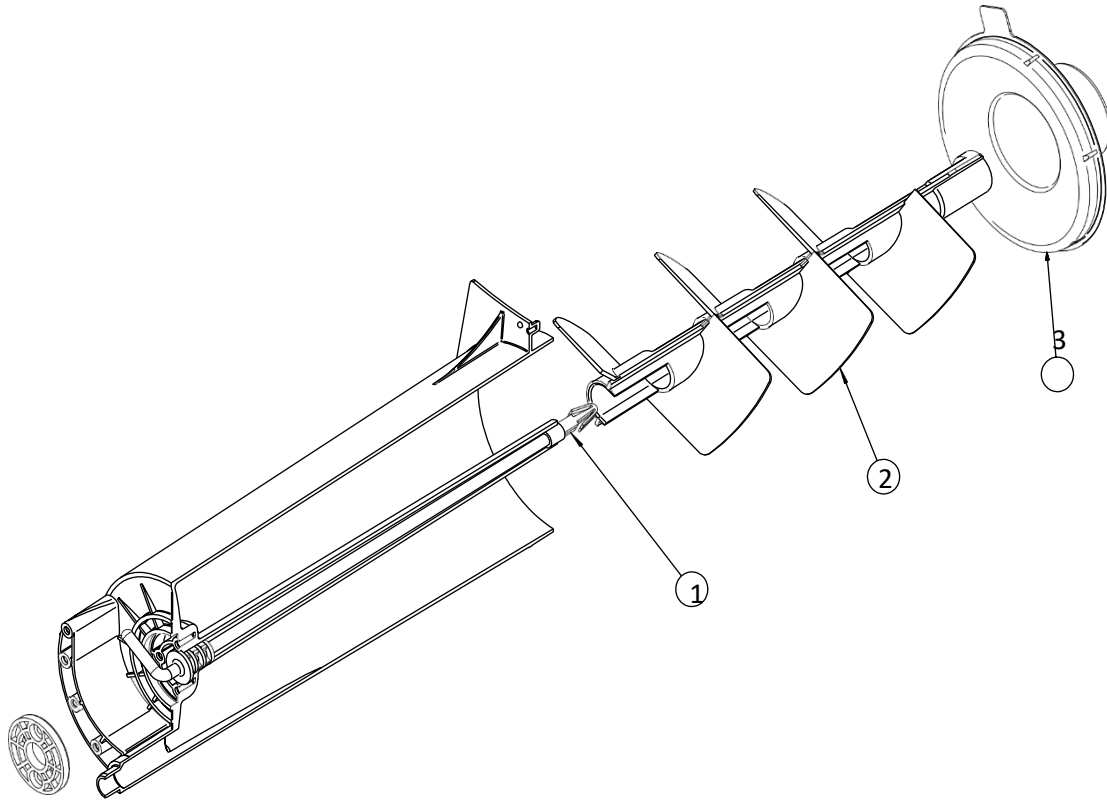
\* Recommended Spare parts highlighted in yellow



	Part #	Description	Notes
1	1817771-SP	Canister pump, X-SMART®, with PTFE Piston	
2	1817218-SP	Cable, USB-Bm, USB-Am	
3	1862138-SP	Power supply, ETC70-24, 24vdc	
4	1817811-SP	MDU-assembly	
5	1817356-SP	Emergency switch, X-SMART®	

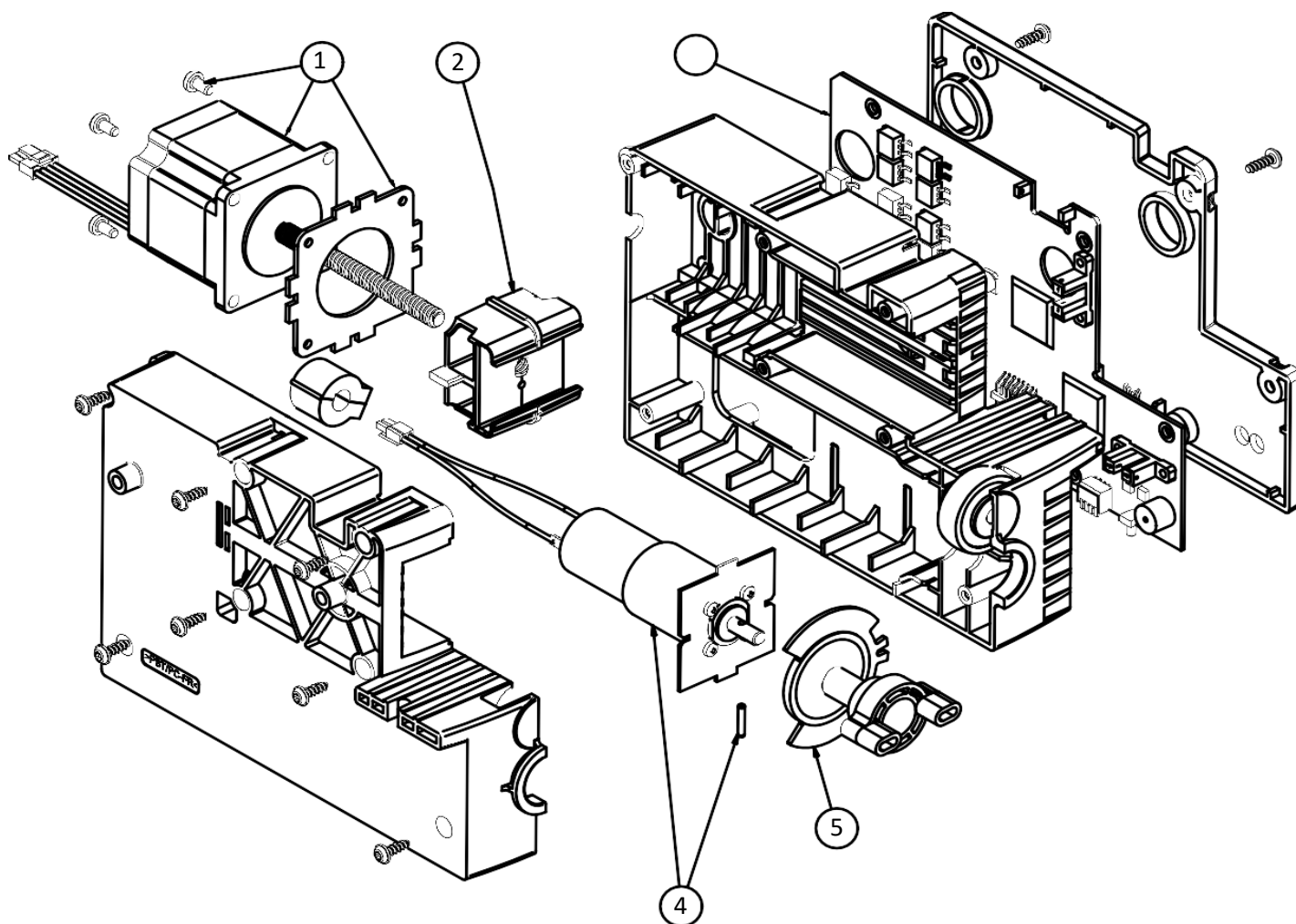


	Part #	Description	Notes
1	1816578-SP	Agitation, Crank, X-SMART®	
2	1817364-SP	Motor, agitation, X-SMART®	
3		Brush	<a href="#">Page 6540</a>
4		Motor, turntable	<a href="#">Page 6535</a>
5	1817104-SP	Can sensor, X-SMART®	
16	1816579-SP	Agitation, plate support, set (3pcs)	



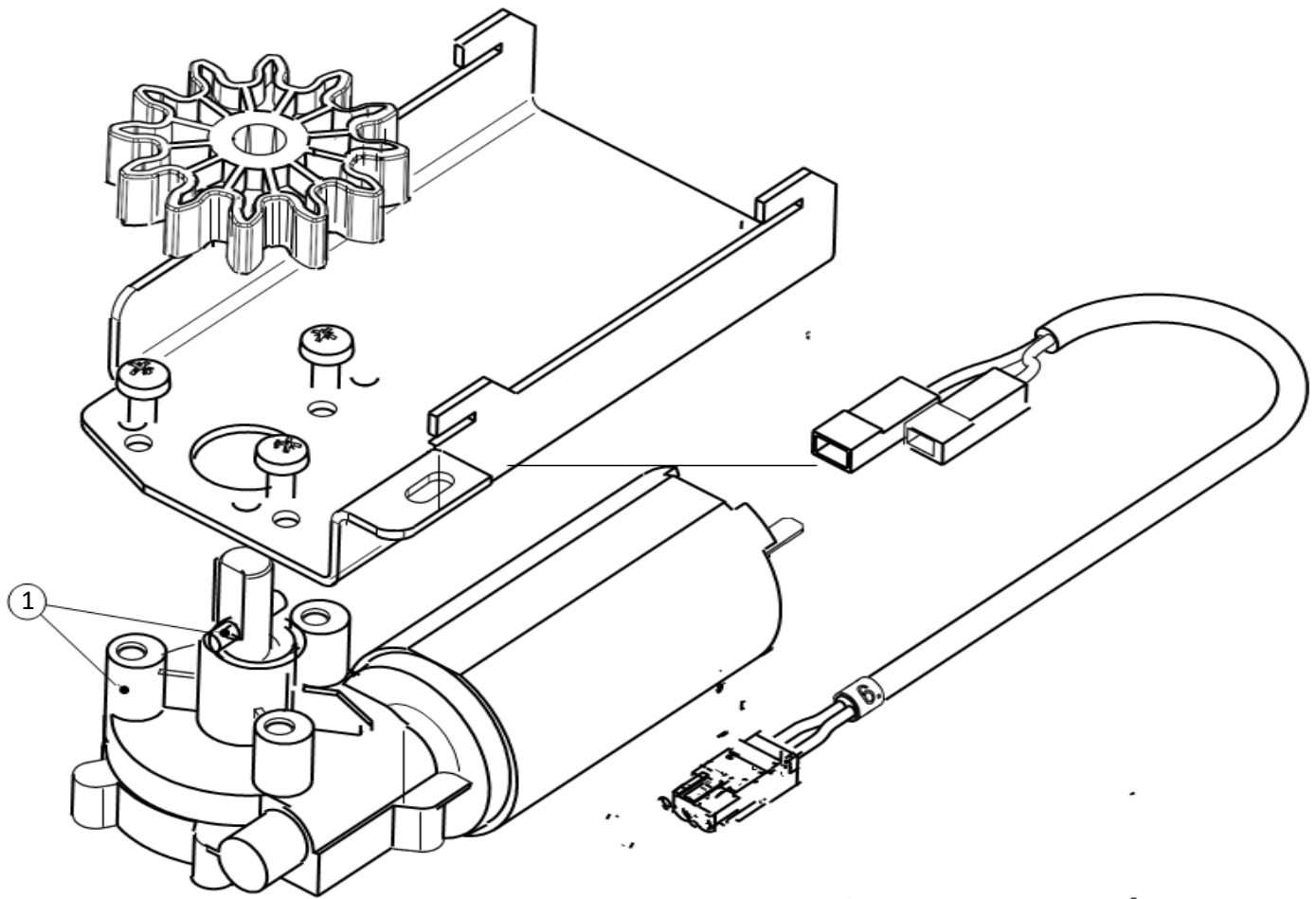
	Part #	Description	Notes
1	1816506-SP	Rod, agitation	
2	1816507-SP	Stirrer	
3*	1816581-SP	Lid, canister, 2.3L	

\* (Replacement by service technician only)

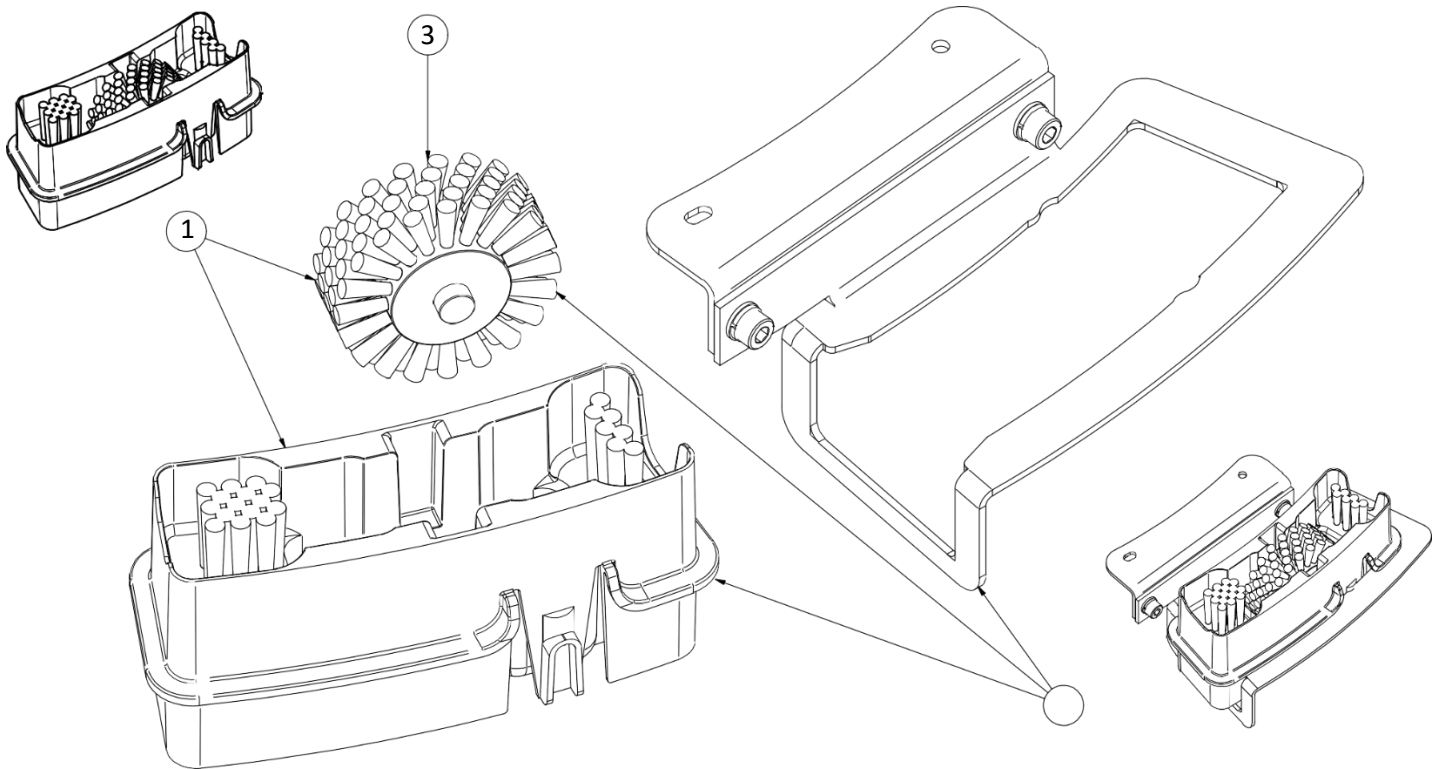


	Part #	Description	Notes
1*	1864398-SP	Motor, stepper & spindle	Part has been redesigned, but still fits older machines
2*	1816552-SP	Gripper, X-SMART®	
4*	1817109-SP	Motor, valve, 24VDC,20RPM	
5*	1816593-SP	Valve Actuator, X-SMART®	

\* (Replacement by service technician only)

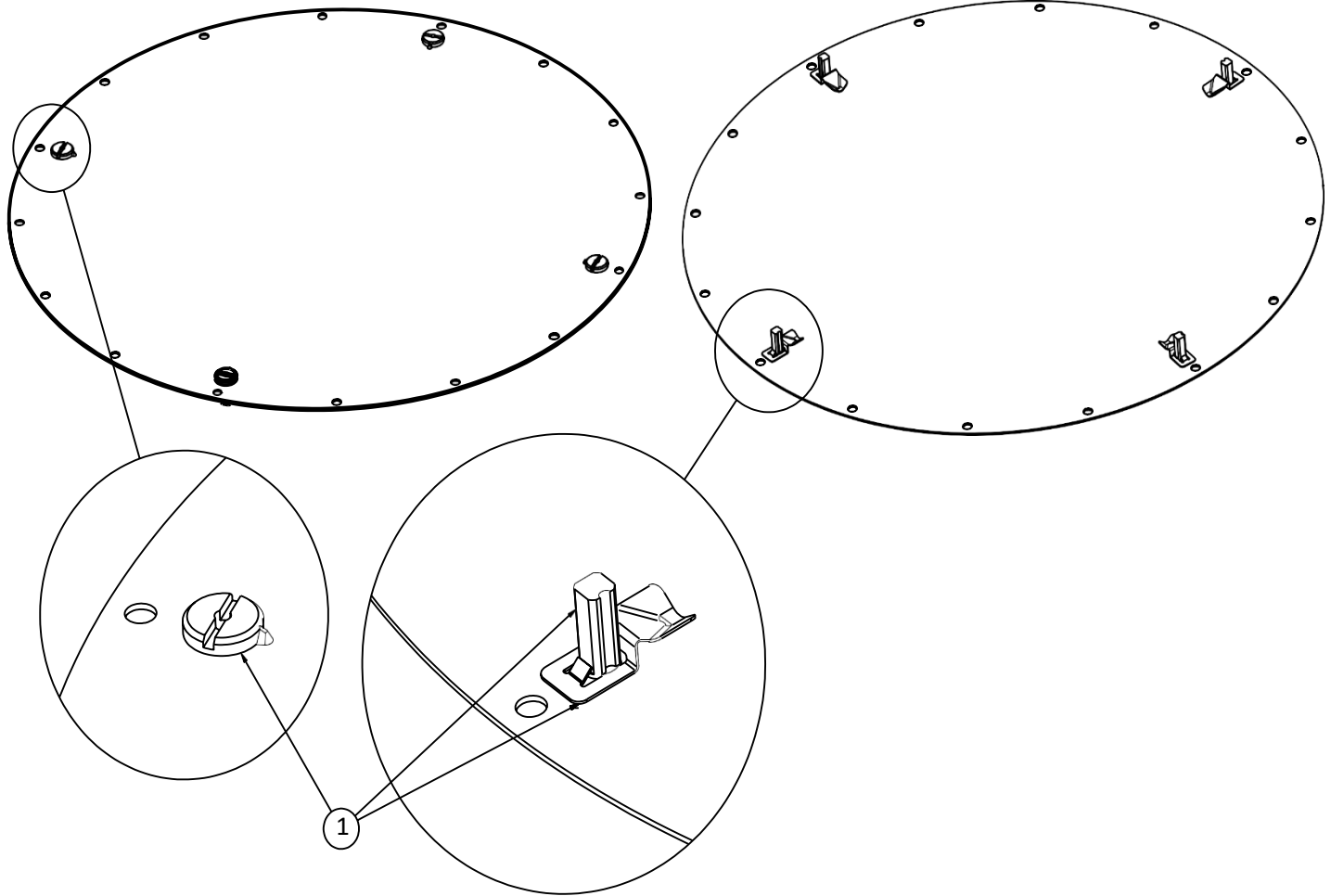


	Part #	Description	Notes
1	1864807-SP	Motor, turntable, X-SMART®	



	Part #	Description	Notes
1	1817512-SP	Rotary Brush	
3	1817385-SP	Brush, X-SMART®	





	Part #	Description	Notes
1	1817374-SP	Latch, cam, set (4 pcs)	