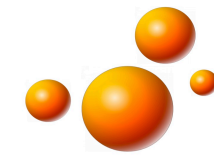
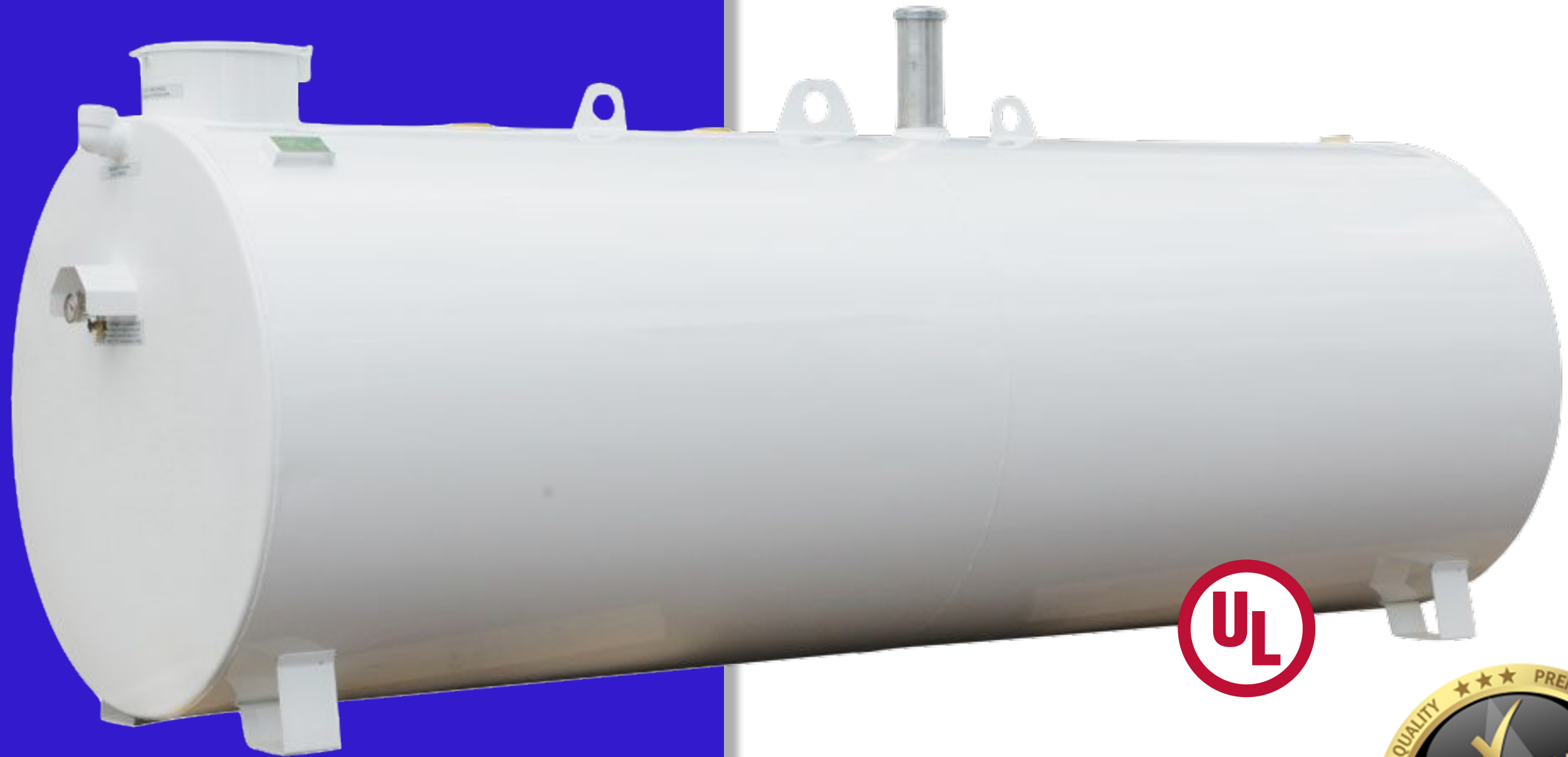


FUEL TANKS

ABOVEGROUND DIESEL TANKS



United International
HYDRO ENGINEERING TECHNOLOGIES



GENERAL DESCRIPTION

Aboveground horizontal cylindrical single and double wall tanks suitable for the storage of flammable liquids, designed and manufactured in accordance with API 650 and UL-142 specifications for fuel containment. Available with multiple capacities and dimensions. It is engineered to provide user friendly storage options for flammable and combustible liquids for a long list of applications. Easy to use and install, its single and double wall storage system comes complete with low welded cradles and customizable pump fitting, making fluid transfer options simple.

The entire unit meets UL-142® and NFPA 30 specifications for fuel storage. Designed and engineered ladders, platforms and walkways are available to customize a tank to your specific needs.

Whether you need to replace a tank or install a new one in your business, **United Engineering** has the knowledge, experience, and high-quality products you're looking for diesel tanks manufacturing and installations. Fuel oil must be stored and used safely and responsibly, be protected from fire risk, and contained to prevent pollution. Aboveground tanks are not only used to store oil for heating systems but can provide fuel storage for emergency generators, vehicles, and machinery. With years of experience in manufacturing and installing tanks in different commercial locations, our staff can answer questions on tank regulations and offer solutions you may not have thought of.

FUNCTION

United Engineering aboveground storage equipment provides dependable containment and efficient management of fuel products in order to keep your fuel site both compliant and profitable. We provide a comprehensive line of sturdy components for aboveground fuel storage tanks designed to integrate into one seamless system for dependable containment of fuels.



TANK SUPPORT SYSTEMS

SADDLES

Saddles are used to support and maintain the tank's position and provide clearance for visual inspection of the underside. **United Engineering** manufactures in accordance with the UL 2-saddle per tank standard which facilitates quicker, more trouble-free installations. Standard saddles provide 6" of clearance and are available up to 12" high.



SUPPORTS

Structural Steel Supports are also used to maintain the tank's position and elevation and provide clearance for visual inspection of the tank's underside. Standard supports provide 6" of clearance and are available on horizontal tanks up to 15,000 liters. The total square surface area touching the ground is roughly equivalent to that of our skids, which helps minimize the risk of the tank sinking into soft foundations.

TANK SUPPORT SYSTEMS

SKIDS

Skids are used to provide portability for empty horizontal tanks. They stabilize the tank and maintain a fixed elevation if being moved by towing. Skids also provide clearance for visual inspection of the tank underside. **United Engineering** manufactures two styles of skids: small tank skids for tanks up to 10,000 liter with runners fabricated from steel angle and large tank skids with runners made from steel pipe.

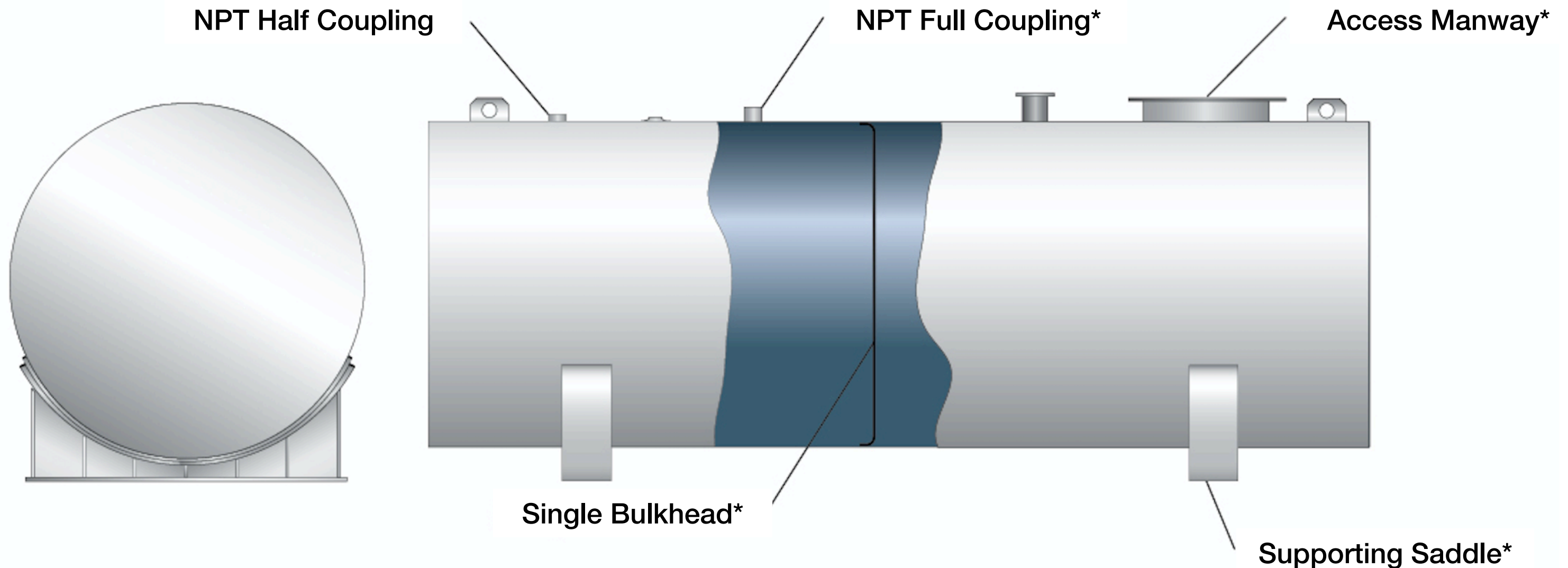


STABILIZERS

Stabilizers are used to maintain the the tank's position. Our simplest support system available, stabilizers do not provide any clearance for visual inspection of the tank's underside. Standard design consists of two stabilizers welded to the tank and are available on tanks up to 15,000 liters.

United Engineering recommends that all aboveground horizontal tanks be installed elevated 4-6" to allow for routine visual inspections of the tank's underside. Do not rely on tack or seal-welded saddles as a means for securing a tank in flood prone areas. A hold down system, connected to an adequately sized anchor pad is recommended. All **United Engineering** UL-142 tanks are supplied with an emergency vent fitting adequately sized to accommodate the intense increase in vapor pressure in the event of fire exposure. Emergency vents are available as an option.

SINGLE WALL TANKS CONSTRUCTION

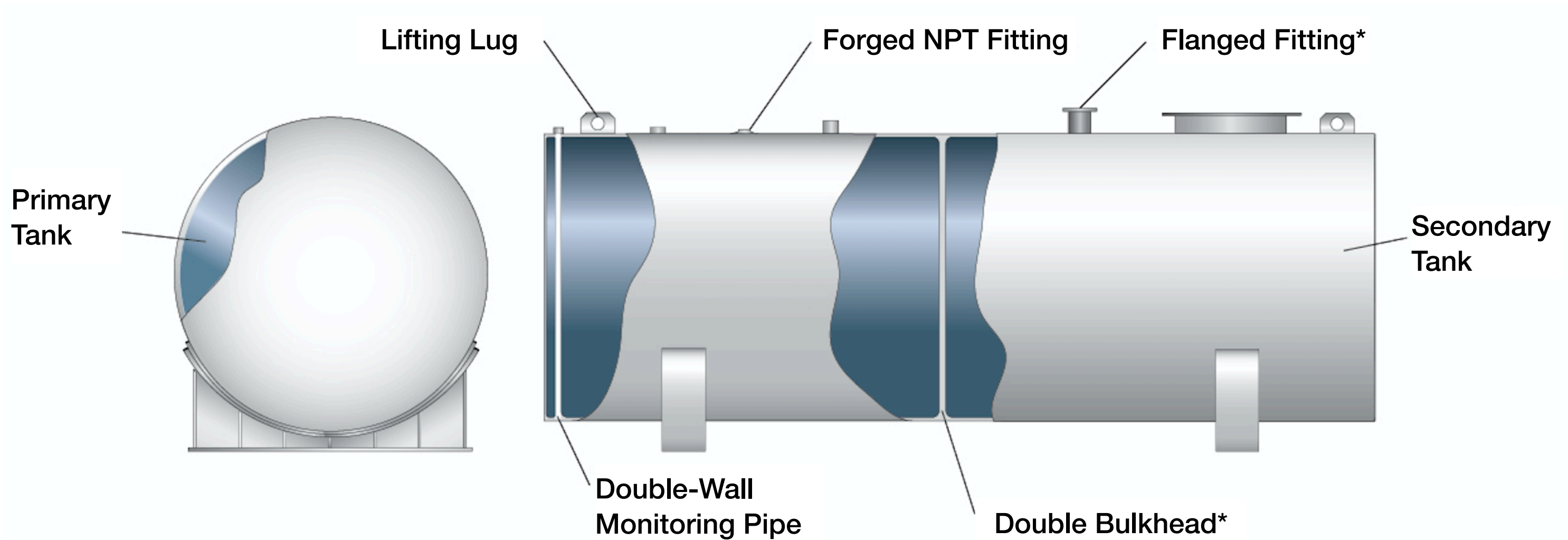


SINGLE WALL CONSTRUCTION

UL-142 Single-wall Construction Single-wall storage tanks consist of a single sheet of steel meeting ASTM specifications, constructed to UL-142 standards. Material thicknesses range from 12 gauge to 3/8" of mild-carbon or stainless steel. Superior "ribbed" strength is achieved with lap joints employing a minimum 1/2" overlap.

*Optional Equipment

DOUBLE WALL TANKS CONSTRUCTION



DOUBLE WALL CONSTRUCTION

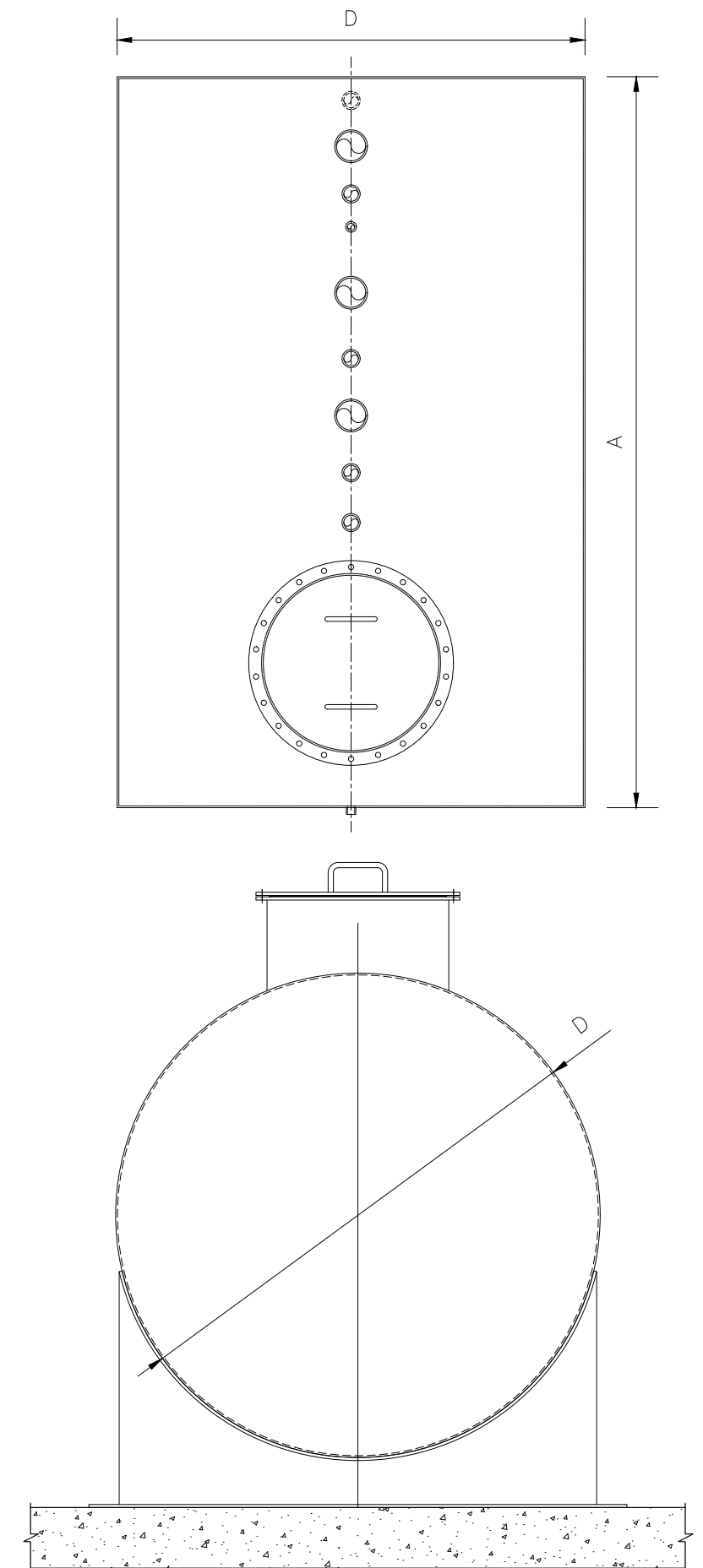
UL-142 Double-wall Construction Double-wall tanks consist of a primary steel tank wrapped by an exterior steel shell that may be in direct contact with the primary tank creating a full 360° double-wall tank. The interstice can be monitored for an unlikely leak using the 2" monitoring pipe. Both inner and outer tanks are supplied with emergency vent fittings.

*Optional Equipment

ABOVEGROUND DIESEL TANKS INFORMATION

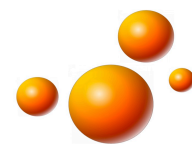
TANK VOLUME (M3)	DIMENSION		STANDARD INLET SIZE (INCHES)	STANDARD OUTLET SIZE (INCHES)
	DIAMETER (D) (MM)	LENGTH (A) (MM)		
5	1,600	2,500	4	4
10	1,800	4,000	4	4
15	2,200	4,000	4	4
20	2,200	5,300	4	4
25	2,400	5,600	4	4
30	2,600	5,700	4	4
35	2,600	6,650	4	4
40	2,800	6,550	4	4
45	2,800	7,350	4	4
50	3,000	7,100	4	4

Note: For Double-wall Tanks, add 153 mm to length and 25 mm to diameter for outside dimensions (includes monitoring pipe).



WHY CHOOSE UNITED ENGINEERING ABOVEGROUND DIESEL TANKS?

- Offers proven performance with years of expected service
- Longer Lifespan
- Easier Maintenance and Relocation
- Reliable and cost-effective
- Easy Access for Inspections & Replacement
- No need for the large cost of excavation or backfilling.
- Customizable dimension and nozzles sizes/ numbers to suit the client specific needs.



United International
HYDRO ENGINEERING TECHNOLOGIES



www.uihydro.com eng@uihydro.com