




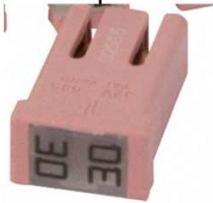


Ford F650 Fuse & Relay Locations

This information can be found on fleet.ford.com:

1. Parts and Service in the respective model year owners manual
2. Oasis under the Wiring tab

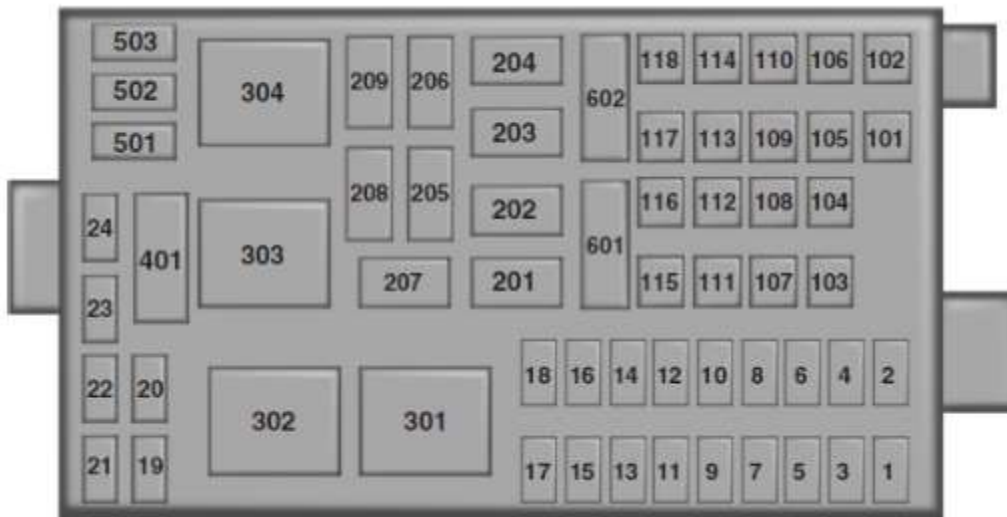
Fuse Types

| | | | | | | |
|------------|--|---------------|----------------|---|-----------------|--------------------------|
| Mini Fuses |  | | Maxi Fuses |  | | |
| Amp | Color | SPN | Amp | Color | SPN | |
| 2 | Grey | F2UZ-14526-H | 20 | Yellow | E9TZ-14526-A | |
| 5 | Tan | F2UZ-14526-L | 30 | Lt Green | E9TZ-14526-E | |
| 7.5 | Brown | F5OZ-14526-AB | 40 | Orange | E9TZ-14526-B | |
| 15 | Blue | F2UZ-14526-N | 50 | Red | E9TZ-14526-C | |
| 20 | Yellow | F2UZ-14526-P | 60 | Lt Blue | E9TZ-14526-D | |
| J Case |  | | Slotted M Case |  | | |
| Amp | Color | SPN | Amp | Color | Ford SPN | Littelfuse part # |
| 20 | Blue | F8SZ-14526-AA | 15 | Gray | GU5Z-14526-E | 0695015.PXPS |
| 30 | Pink | F8SZ-14526-BA | 20 | Blue | GU5Z-14526-F | 0695020.PXPS |
| 40 | Green | F8SZ-14526-CA | 25 | White | GU5Z-14526-G | 0695025.PXPS |
| 50 | Red | F8SZ-14526-DA | 30 | Pink | GU5Z-14526-H | 0695030.PXPS |
| | | | 40 | Green | GU5Z-14526-B | 0695040.PXPS |
| | | | 50 | Red | GU5Z-14526-K | 0695050.PXPS |
| | | | 60 | Yellow | GU5Z-14526-C | 0695060.PXPS |

Model Years 2014 - 2015

Model Years 2014 - 2015 Ford F650 Power Distribution Box (Battery Junction Box)

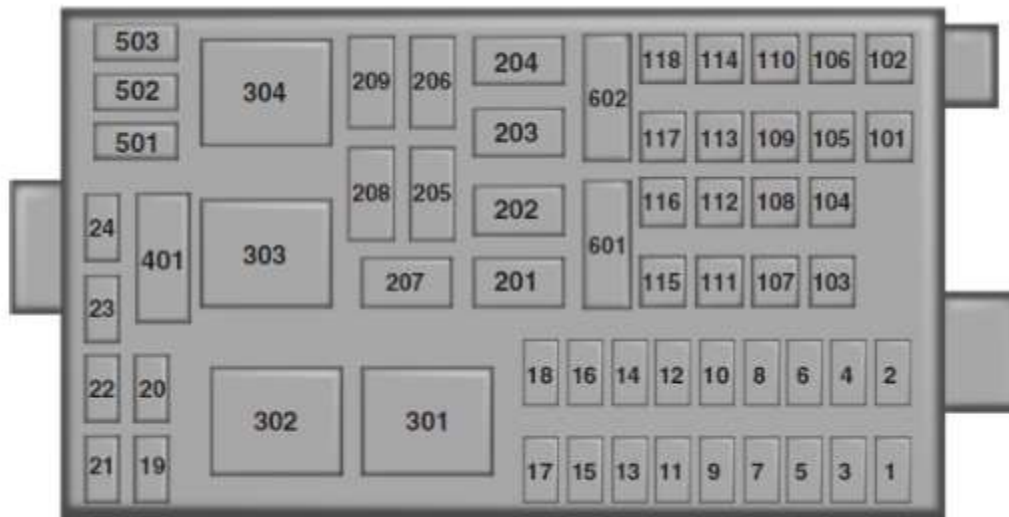
Location: Driver's side firewall



| Fuse/Relay Location | Fuse Amp Rating | Protected Circuits |
|---------------------|-----------------|---|
| 1 | 20A | Upfitter switches (AUX 2 and AUX 4)/Trailer 12V socket pin |
| 2 | 30A | Power seat (driver) |
| 3 | 30A | Power seat (passenger) |
| 4 | 15A | Windshield washer relay, Washer pump motor |
| 5 | 5A | Brake warning switch (hydraulic brake vehicles only) |
| 6 | 20A | Upfitter switches (AUX 1 and AUX 3) |
| 7 | 15A | Brake pressure switches, ABS event relay |
| 8 | 20A | DEF (Urea) line heaters (diesel engine only) |
| 9 | 20A | Ignition switch, Starter cutoff |
| 10 | 15A | Air tank moisture removal valve |
| 11 | 30A | Electric trailer brake |
| 12 | 20A | Passenger compartment fuse box 5 and 21 |
| 13 | 15A | Instrument cluster/Gateway module |
| 14 | 20A | Nitrogen oxide sensor (diesel engine only) |
| 15 | — | Not used |
| 16 | 5A | Bendix® Air ABS |
| 17 | — | Not used |
| 18 | 10A | Fuel transfer pump |
| 19 | 15A | Powertrain control module power 1 (gasoline engine only) |
| 20 | 10A | Powertrain control module power 2 (gasoline engine only) |
| 21 | 20A | Powertrain control module power 3 (gasoline engine only) |
| 22 | 20A | Powertrain control module power 4 (gasoline engine only) |
| 23 | — | Not used |
| 24 | 10A | Powertrain control module keep-alive power (gasoline engine only) |
| 101 | 30A | Bendix Air ABS relay (Air brake vehicles only) Hydraulic brakes module (hydraulic brake vehicles only) 4 |
| 102 | 20A | Ignition switch |

Model Years 2014 - 2015 Ford F650 Power Distribution Box (Battery Junction Box)

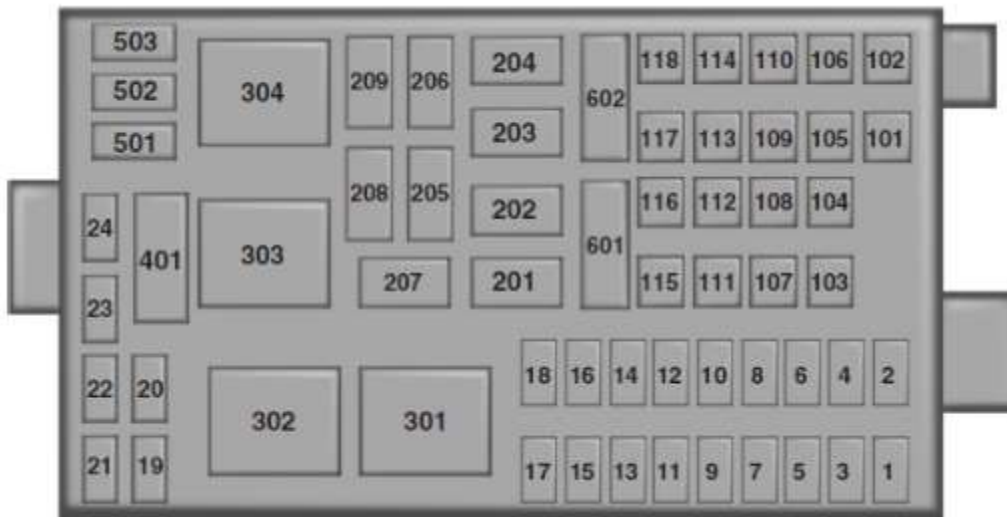
Location: Driver's side firewall



| Fuse/Relay Location | Fuse Amp Rating | Protected Circuits |
|---------------------|-----------------|---|
| 103 | 20A | Ignition switch, Passenger compartment fuse box fuses 19, 29 and 30 |
| 104 | 20A | Power point |
| 105 | 20A | Power door lock switches |
| 106 | 30A | Main light switch, Multi-function switch |
| 107 | 50A | Passenger compartment fuse box fuses 1, 2, 3, 4, 12, 13, 14 and 15 |
| 108 | 40A | Fuel heater (diesel engine only) |
| | 20A | Fuel pump module (gasoline engine only) |
| 109 | 40A | Power window |
| 110 | 30A | Windshield wiper |
| 111 | 30A | Body builder relay, Parking lamps |
| 112 | 40A | Blower motor |
| 113 | 30A | Heated seats, Air-Ride seat |
| 114 | — | Not used |
| 115 | 20A | Ignition switch, Passenger compartment fuse box fuses 8, 9, 10 and 11 |
| 116 | 30A | Left/Right turn relays, Back up lamp relay |
| 117 | 20A | Stop lamps |
| 118 | 60A | Hydraulic brake vehicles (trailer tow package only) |
| 601 | 60A | Trailer socket |
| 602 | 60A | Air brake trailer tow fuse block |
| 201 | — | Windshield washer relay |
| 202 | — | Wiper high/low relay |
| 203 | — | Wiper run/park relay |
| 204 | — | Windshield wiper relay |
| 205 | — | Body builder relay, right turn |
| 206 | — | Body builder relay, left turn |
| 207 | — | ABS event relay (hydraulic brake vehicles only) |
| 208 | — | Body builder relay, back up lamps relay |

Model Years 2014 - 2015 Ford F650 Power Distribution Box (Battery Junction Box)

Location: Driver's side firewall



| Fuse/Relay Location | Fuse Amp Rating | Protected Circuits |
|---|-----------------|--|
| 209 | — | Auxiliary stop lamp relay |
| 301 | — | Fuel heater/Fuel transfer pump relay (diesel engine only) |
| | — | Fuel pump module (gasoline engine only) |
| 302 | — | Body builder relay, parking lamps relay |
| 303 | — | Blower motor relay |
| 304 | — | DEF (Urea) line heaters relay (diesel engine only) |
| | — | Powertrain control module power VPWR1 (gasoline engine only) |
| Individual Maxi Fuse Holder in Engine Compartment | | |
| Fuse/Relay Location | Fuse Amp Rating | Protected Circuits |
| 9925 | 30A | Hydraulic brakes pump motor 1 |

Model Years 2014 - 2015 Ford F650 Passenger Compartment Fuse Panel

The fuse box is located behind the passenger airbag cover. You can access it through the glove box.



| Fuse/Relay Location | Fuse Amp Rating | Protected Circuits |
|---------------------|-----------------|---|
| 1 | 20A | Horn |
| 2 | 15A | Flasher relay |
| 3 | 20A | Power point |
| 4 | 10A | Data Link Connector (DLC), Engine diagnostic connector, Parking brake warning |
| 5 | 15A | Run relay |
| 6 | — | Not used |
| 7 | — | Not used |
| 8 | 5A | Radio, GEM |
| 9 | 5A | Power window relay |
| 10 | 15A | Heated mirrors |
| 11 | 5A | Wiper and washer systems |
| 12 | 10A | Transmission shift selector |
| 13 | 20A | Radio/SYNC®, Power mirrors |
| 14 | 10A | Interior lamp relay |
| 15 | 10A | Interior lamp relay |
| 16 | 15A | High beams, Indicator |
| 17 | — | Not used |
| 18 | 5A | Dimmer switch, Interior lighting |
| 19 | 15A | Engine control (diesel engine only) |
| 20 | 5A | Starting system |
| 21 | 10A | DRL resistor |
| 22 | 15A | Air horn, Air suspension dump, Two-speed axle, Driver-controlled locking differential |
| 23 | 10A | Flasher relay |
| 24 | 15A | Hydraulic brakes relay, Fuel heater relay (diesel engine only), Air dryer |
| 25 | 10A | Blower motor relay coil |
| 26 | 10A | Right-hand low beam headlight |
| 27 | — | Not used |
| 28 | 10A | Left-hand low beam headlight |

Model Years 2014 - 2015 Ford F650 Passenger Compartment Fuse Panel

The fuse box is located behind the passenger airbag cover. You can access it through the glove box.



| Fuse/Relay Location | Fuse Amp Rating | Protected Circuits |
|---------------------|-----------------|---------------------------------|
| 29 | 10A | Cluster, GEM |
| 30 | 15A | Allison electronic transmission |
| 31 | 15A | Mirror fold relay |
| Relay 1 | — | Interior lamps |
| Relay 2 | — | Not used |
| Relay 3 | — | Horn |
| Relay 4 | — | Not used |
| Relay 5 | — | Not used |

Model Years 2014 - 2015 Ford F650 Relay Center

The relay center is located along the passenger side A-pillar on the right side of the footwell.



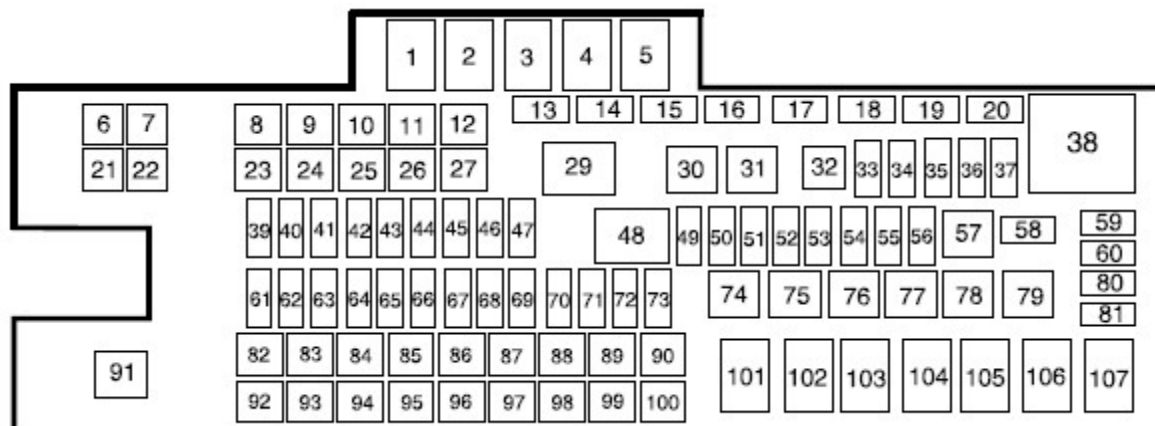
| Relay Location | Relay Description |
|----------------|--|
| R1 | Spring applied hydraulic release warning chime module or PCM power VPWR 2, 3 and 4 |
| R2 | A/C compressor clutch |
| R3 | Power windows |
| R4 | Flasher (standard/LED) |
| R5 | Upfitter relay 1 |
| R6 | Upfitter relay 2 |
| R7 | Headlights |

| Relay Location | Relay Description |
|----------------|--|
| R8 | Cummins starter lockout |
| R9 | Upfitter relay 3 |
| R10 | Starter |
| R11 | DCU (diesel engine only) |
| R12 | Two-speed axle/Differential lock |
| R13 | Door lock |
| R14 | Air tank moisture valve |
| R15 | DRL #1 |
| R16 | Heated mirrors |
| R17 | Spare |
| R18 | Upfitter relay 4 |
| R19 | Shift interlock/EPRNDL display |
| R20 | Selective Catalyst Reduction (SCR) system (NOx) (diesel engine only) |
| R21 | Run |
| R22 | Door unlock |
| R23 | ABS warning indicator |
| R24 | DRL #2 |
| R25 | Park lights |
| R26 | Spare |

Model Years 2016 - 2019

Model Years 2016 – 2019 Ford F650 Power Distribution Box

Location: Engine compartment, passenger side

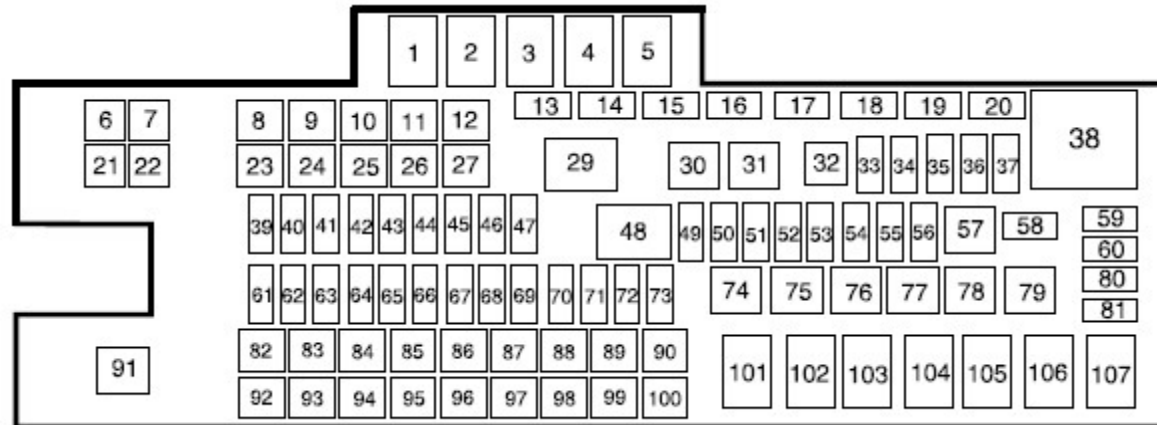


| Fuse or relay number | Fuse amp rating | Protected components |
|----------------------|-----------------|---|
| 1 | Relay | Blower motor. |
| 2 | Relay | Trailer tow and body builder stoplamps. |
| 3 | Relay | Urea heaters (diesel engine). |
| 4 | Relay | Driver air ride seat compressor. |
| 5 | Relay | Heated mirrors. |
| 6 | — | Not used. |
| 7 | — | Not used. |
| 8 | 20A* | Passenger air ride seat compressor. |
| 9 | — | Not used. |
| 10 | — | Not used. |
| 11 | — | Not used. |
| 12 | — | Not used. |
| 13 | Resistor | Terminating resistor (120 ohm). |
| 14 | — | Not used. |
| 15 | — | Not used. |
| 16 | — | Not used. |
| 17 | — | Not used. |
| 18 | — | Not used. |
| 19 | 10A* | Brake on/off isolation relay. |
| 20 | — | Not used. |

| Fuse or relay number | Fuse amp rating | Protected components |
|----------------------|-----------------|--|
| 21 | — | Not used. |
| 22 | 30A* | Trailer tow electric brake controller. |
| 23 | 40A* | Blower motor. |
| 24 | — | Not used. |
| 25 | 30A* | Wipers. |
| 26 | 30A* | Trailer tow park lamps. |
| 27 | 25A* | Urea heaters (diesel engine). |
| 28 | — | Not used. |
| 29 | Relay | Trailer tow park lamps. |
| 30 | Relay | A/C clutch. |
| 31 | Relay | Wipers. |
| 32 | — | Not used. |
| 33 | 20A** | Vehicle power 1. |
| 34 | 20A** | Vehicle power 2. |
| 35 | 10A** | Vehicle power 3. |
| 36 | 20A** | Vehicle power 4. |
| 37 | 10A** | Vehicle power 5 (diesel engine). |

Model Years 2016 – 2019 Ford F650 Power Distribution Box

Location: Engine compartment, passenger side

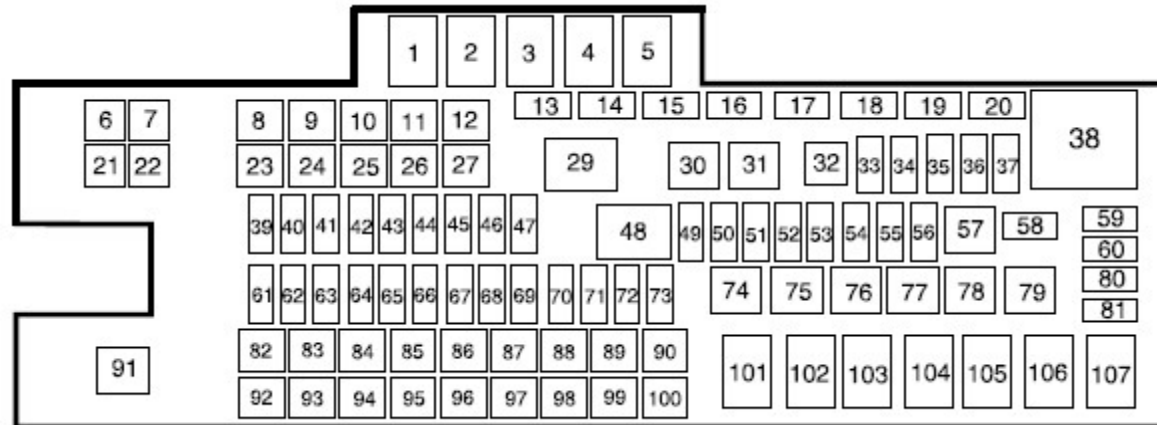


| Fuse or relay number | Fuse amp rating | Protected components |
|----------------------|-----------------|---|
| 38 | Relay | Powertrain control module. |
| 39 | — | Not used. |
| 40 | 15A** | Heated mirrors. |
| 41 | — | Not used. |
| 42 | 20A** | Trailer tow and body builder stoplamps. |
| 43 | — | Not used. |
| 44 | 20A** | Ancillary translator module. |
| 45 | 10A** | Run/start relay coil. |
| 46 | 10A** | Transmission control module keep-alive power (diesel engine). |
| 47 | 10A** | A/C clutch. |
| 48 | Relay | Run/start. |
| 49 | 20A** | Air dryer. |
| 50 | 10A** | Blower motor relay coil. |
| 51 | — | Not used. |

| Fuse or relay number | Fuse amp rating | Protected components |
|----------------------|-----------------|--|
| 52 | 10A** | Powertrain control module run/start (diesel engine). Transmission control module run/start (diesel engine). |
| 53 | — | Not used. |
| 54 | 10A** | Anti-lock brake system run/start. |
| 55 | 10A** | Seat compressor relay coil. Chassis solenoids relay coil. Heated mirror relay coil. |
| 56 | 20A** | Passenger compartment fuse panel run/start feed |
| 57 | Relay | Fuel pump. |
| 58 | 5A** | Wiper relay. |
| 59 | 5A** | Chassis solenoid relay. Air ride seat compressor relay. |

Model Years 2016 – 2019 Ford F650 Power Distribution Box

Location: Engine compartment, passenger side

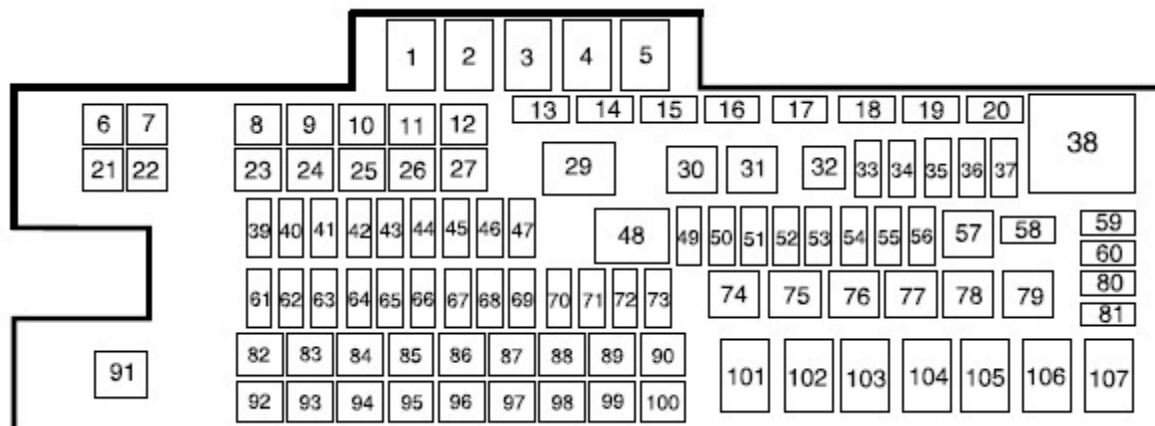


| Fuse or relay number | Fuse amp rating | Protected components |
|----------------------|-----------------|--|
| 60 | — | Not used. |
| 61 | — | Not used. |
| 62 | — | Not used. |
| 63 | 10A** | Chassis solenoids. |
| 64 | — | Not used. |
| 65 | 10A** | Cargo box lamp. |
| 66 | 30A** | Fuel pump. |
| 67 | — | Not used. |
| 68 | 10A** | Fuel pump relay coil. |
| 69 | — | Not used. |
| 70 | 10A** | Trailer tow or body builder backup lamps. |
| 71 | — | Not used. |
| 72 | 10A** | Powertrain control module relay coil. Keep-alive power. |

| Fuse or relay number | Fuse amp rating | Protected components |
|----------------------|-----------------|--|
| 73 | 5A** | Hydromax monitor. |
| 74 | Relay | Chassis solenoids. |
| 75 | — | Not used. |
| 76 | — | Not used. |
| 77 | Relay | Brake switch isolation (hydraulic brakes). |
| 78 | — | Not used. |
| 79 | — | Not used. |
| 80 | — | Not used. |
| 81 | — | Not used. |
| 82 | 20A* | Auxiliary power point #2. |
| 83 | 20A* | Auxiliary power point #1. |
| 84 | 20A* | Driver air ride seat compressor. |
| 85 | 60A* | Hydromax pump. |

Model Years 2016 – 2019 Ford F650 Power Distribution Box

Location: Engine compartment, passenger side

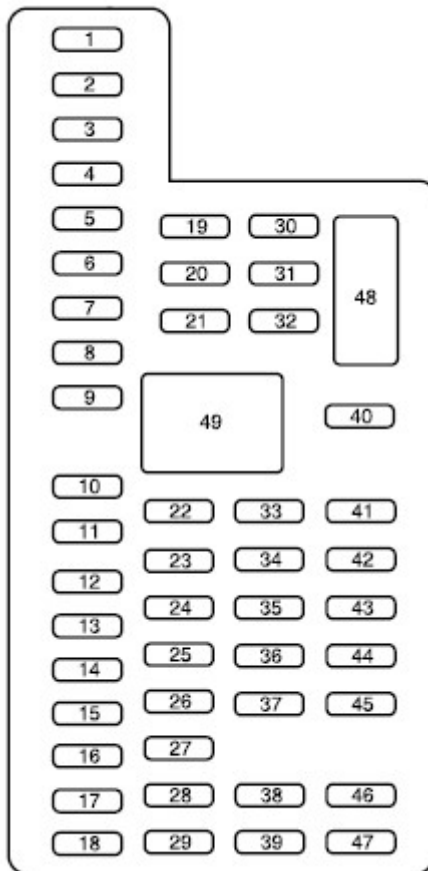


| Fuse or relay number | Fuse amp rating | Protected components |
|----------------------|-----------------|--|
| 86 | 30A* | Anti-lock brake system modulator valves. |
| 87 | — | Not used. |
| 88 | — | Not used. |
| 89 | 40A* | Starter motor |
| 90 | 30A* | Trailer battery feed (air brakes). Trailer tow battery charge (hydraulic brakes). |
| 91 | Relay | Cargo box lamp. |
| 92 | — | Not used. |
| 93 | — | Not used. |
| 94 | 25A* | Upfitter relay #1. |
| 95 | 25A* | Upfitter relay #2. |
| 96 | 60A* | Anti-lock brake system pump (hydraulic brakes). |

| Fuse or relay number | Fuse amp rating | Protected components |
|----------------------|-----------------|--|
| 97 | — | Not used. |
| 98 | — | Not used. |
| 99 | 40A* | Instrument panel 110v power inverter. |
| 100 | 30A* | Trailer tow turn lamp relays. |
| 101 | Relay | Starter. |
| 102 | Relay | Trailer tow battery charge relay (hydraulic brakes). Trailer tow battery feed (air brakes). |
| 103 | Relay | Trailer tow right hand side turn and stop lamps. |
| 104 | Relay | Trailer tow left hand side turn and stop lamps. |
| 105 | — | Not used. |
| 106 | Relay | Trailer tow backup lamps relay. |
| 107 | Relay | Passenger air ride seat compressor relay. |

Model Years 2016 – 2019 Ford F650 Passenger Compartment Fuse Panel

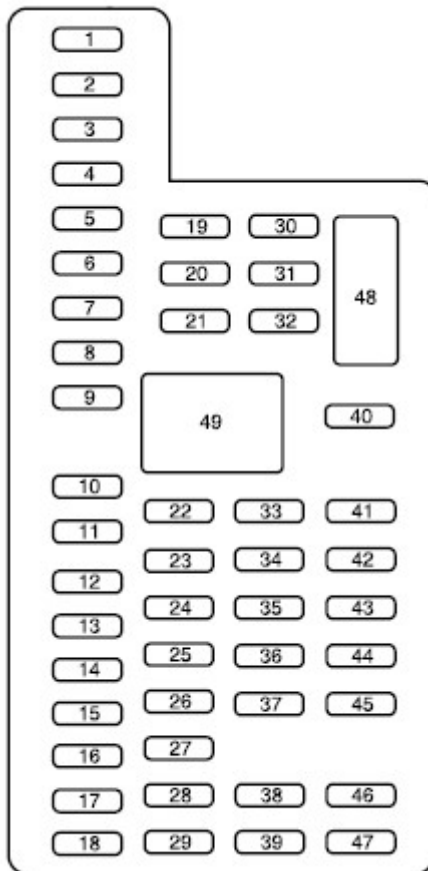
Location: The fuse panel is in the passenger footwell. Remove the panel cover to access the fuses. Pull the fuse panel cover toward you to remove it. When the clips of the panel disengage, let the panel fall easily.



| Fuse or relay number | Fuse amp rating | Protected components |
|----------------------|-----------------|---|
| 1 | 30A | Left front window motor. |
| 2 | 15A | Upfitter relay #4. |
| 3 | 30A | Right front window motor. |
| 4 | 10A | Interior lamps. |
| 5 | — | Not used. |
| 6 | — | Not used. |
| 7 | 7.5A | Power mirror switch. |
| 8 | — | Not used. |
| 9 | 10A | Upfitter relay #3. |
| 10 | 10A | Run/accessory customer access. |
| 11 | 10A | Ford telematics battery feed. |
| 12 | 15A | Interior lighting. |
| 13 | 15A | Right turn and brake lamps. |
| 14 | 15A | Left turn and brake lamps. |
| 15 | 15A | Center high-mounted stop lamp. Backup lamps. |
| 16 | 10A | Right headlamp low beam. |
| 17 | 10A | Left headlamp low beam. |
| 18 | 10A | Powertrain control module wakeup. Brake shift interlock. |
| 19 | — | Not used. |
| 20 | 20A | Power door locks. |
| 21 | 10A | Brake on/off switch. |
| 22 | 20A | Horn. |
| 23 | 15A | Instrument cluster. |
| 24 | 15A | Diagnostic connector. Power fold mirror relay. Steering wheel control module. |

Model Years 2016 – 2019 Ford F650 Passenger Compartment Fuse Panel

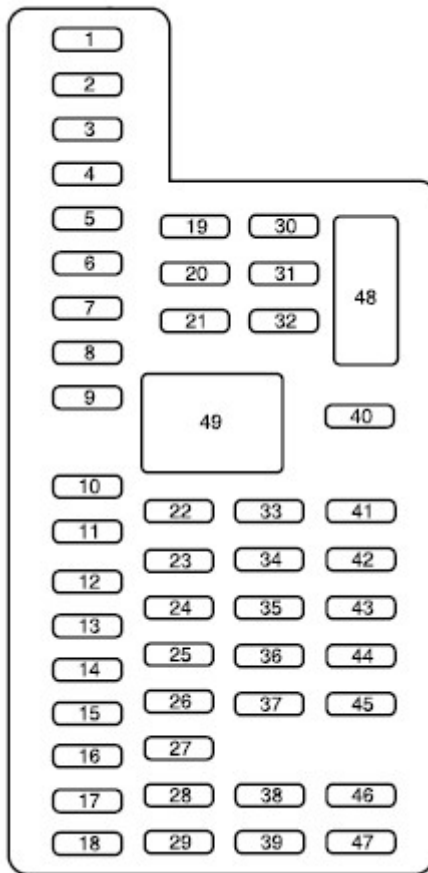
Location: The fuse panel is in the passenger footwell. Remove the panel cover to access the fuses. Pull the fuse panel cover toward you to remove it. When the clips of the panel disengage, let the panel fall easily.



| Fuse or relay number | Fuse amp rating | Protected components |
|----------------------|-----------------|--|
| | | Remote keyless entry. |
| 25 | — | Not used. |
| 26 | 5A | Steering wheel control module. |
| 27 | — | Not used. |
| 28 | 15A | Ignition switch. |
| 29 | 20A | GPS module. Radio. SYNC. |
| 30 | 15A | Parking lamps. Trailer tow parking lamps relay coil. |
| 31 | 5A | Customer access trailer brake on/off switch. |
| 32 | 15A | Delayed accessory power. Driver and passenger door lock switch illumination. 110v power inverter module. Telescoping mirror switch. |
| 33 | — | Not used. |
| 34 | 10A | Ancillary translator module run/start. |
| 35 | 5A | Tow/Haul run/start. |
| 36 | 10A | Fuel tank select switch. |
| 37 | 10A | Auxiliary heater. |
| 38 | 10A | Delayed accessory power. AM/FM base radio. |
| 39 | 15A | Left and right headlamp high beam. |
| 40 | 10A | Rear parking lamps. Clearance lamps. |
| 41 | — | Not used. |
| 42 | 5A | Ford telematics run/start. |
| 43 | 10A | Power Distribution Box run/accessory fuses. Wiper relay coil. |

Model Years 2016 – 2019 Ford F650 Passenger Compartment Fuse Panel

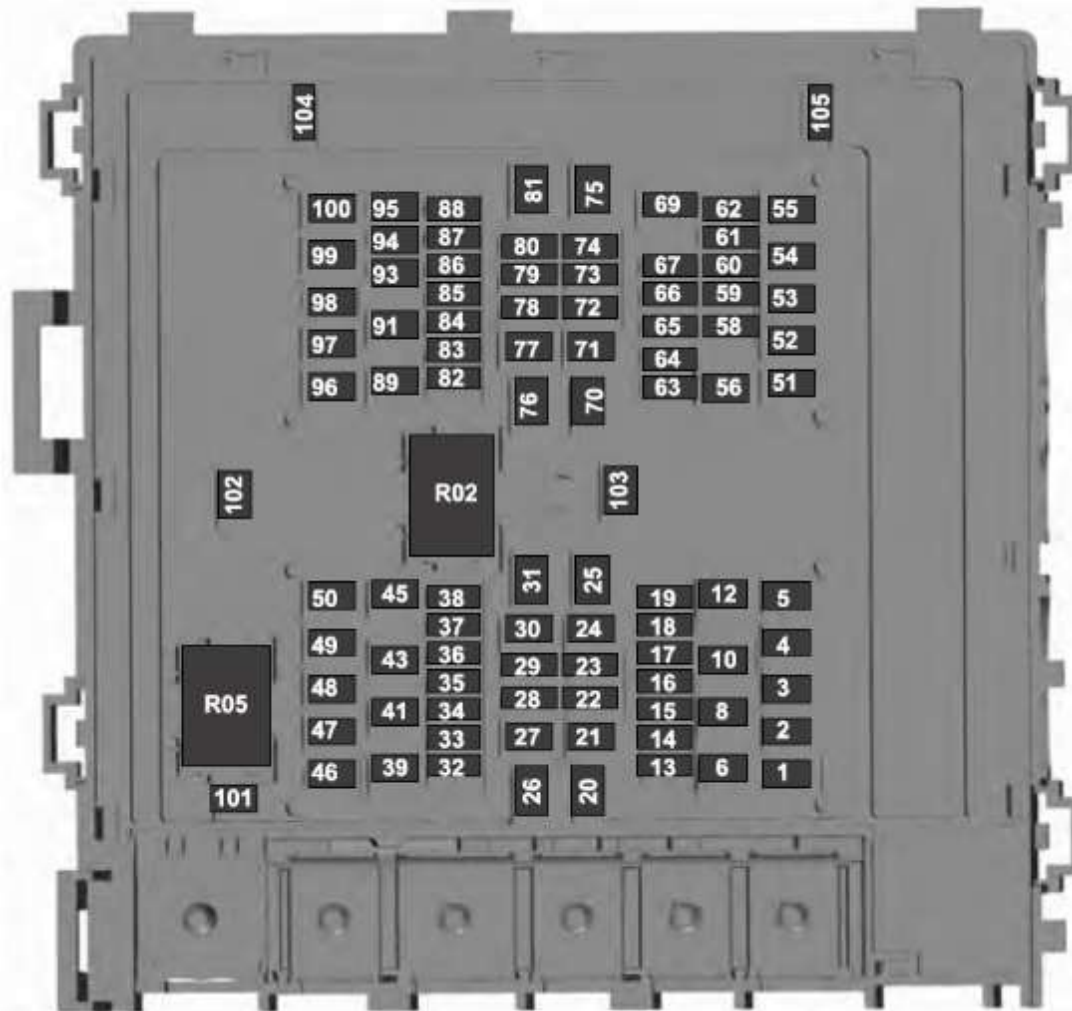
Location: The fuse panel is in the passenger footwell. Remove the panel cover to access the fuses. Pull the fuse panel cover toward you to remove it. When the clips of the panel disengage, let the panel fall easily.



| Fuse or relay number | Fuse amp rating | Protected components |
|----------------------|---------------------|---|
| 44 | 10A | Customer access upfitter switch power. Ancillary translator module run/accessory sense. |
| 45 | — | Not used. |
| 46 | 10A | Climate control module. |
| 47 | 15A | Fender direction indicator lamps. |
| 48 | 30A Circuit breaker | Power windows switch (crew cab). |
| 49 | Relay | Delayed accessory power. |

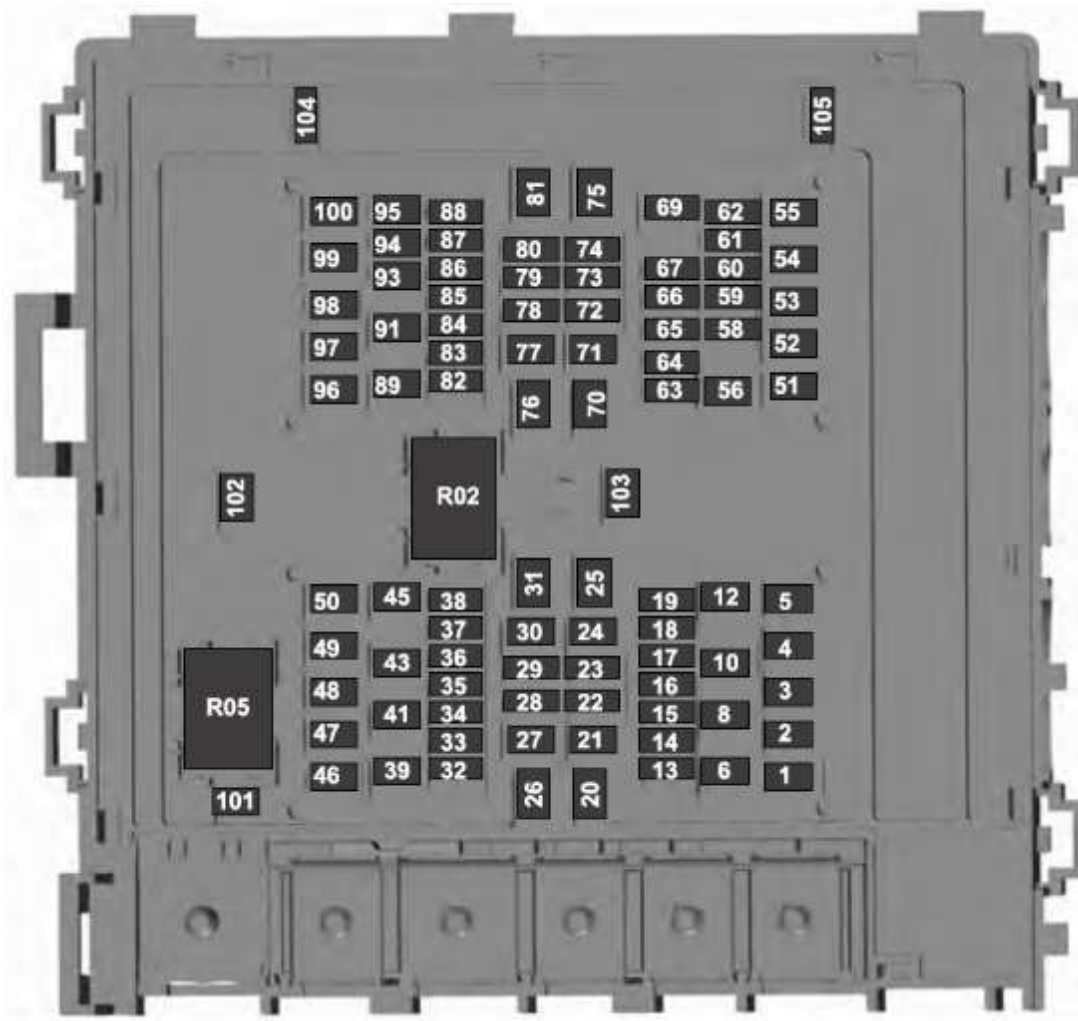
Model Years 2021 – Present

Model Years 2021 – Present Ford F650 Engine Compartment Fuse Panel



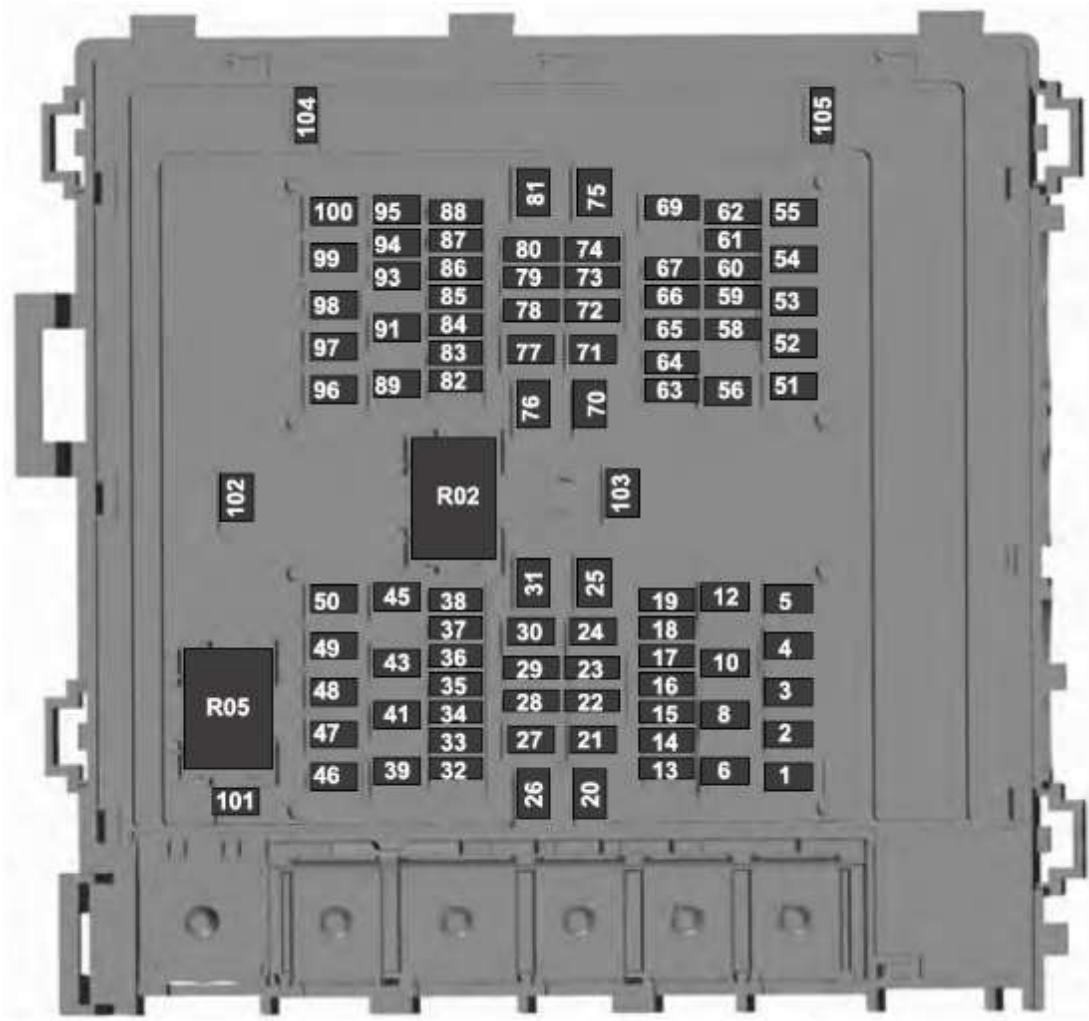
| Fuse Number | Fuse Rating | Protected Component |
|-------------|-------------|--|
| 1 | 20 A | Horn. |
| 2 | 40 A | Blower motor. Blower motor control. |
| 3 | — | Not used. |
| 4 | 30 A | Starter motor. |
| 5 | — | Not used. |
| 6 | 20 A | Upfitter relay 4. |
| 8 | — | Not used. |
| 10 | — | Not used. |
| 12 | — | Not used. |
| 13 | 10 A | Run/start spare. |
| 14 | 10 A | Adaptive cruise control. |
| 15 | 10 A | Blower motor relay. |
| 16 | 20 A | Air dryer. |
| 17 | 10 A | Powertrain control module - Ignition status run power. Glow plug control module - Ignition status run power (diesel). |
| 18 | 10 A | Anti-lock brake system run/start. |
| 19 | 10 A | Transmission control module. Ignition status run power (diesel). |
| 20 | 30 A | Windshield wiper motor. |
| 21 | — | Not used. |
| 22 | — | Not used. |
| 23 | 10 A | Alternator 2 (dual alternator only). |
| 24 | 40 A | Body control module run power 2 bus. |
| 25 | 50 A | Body control module run power 1 bus. |
| 26 | — | Not used. |
| 27 | 20 A | Body builder battery feed. |

Model Years 2021 – Present Ford F650 Engine Compartment Fuse Panel



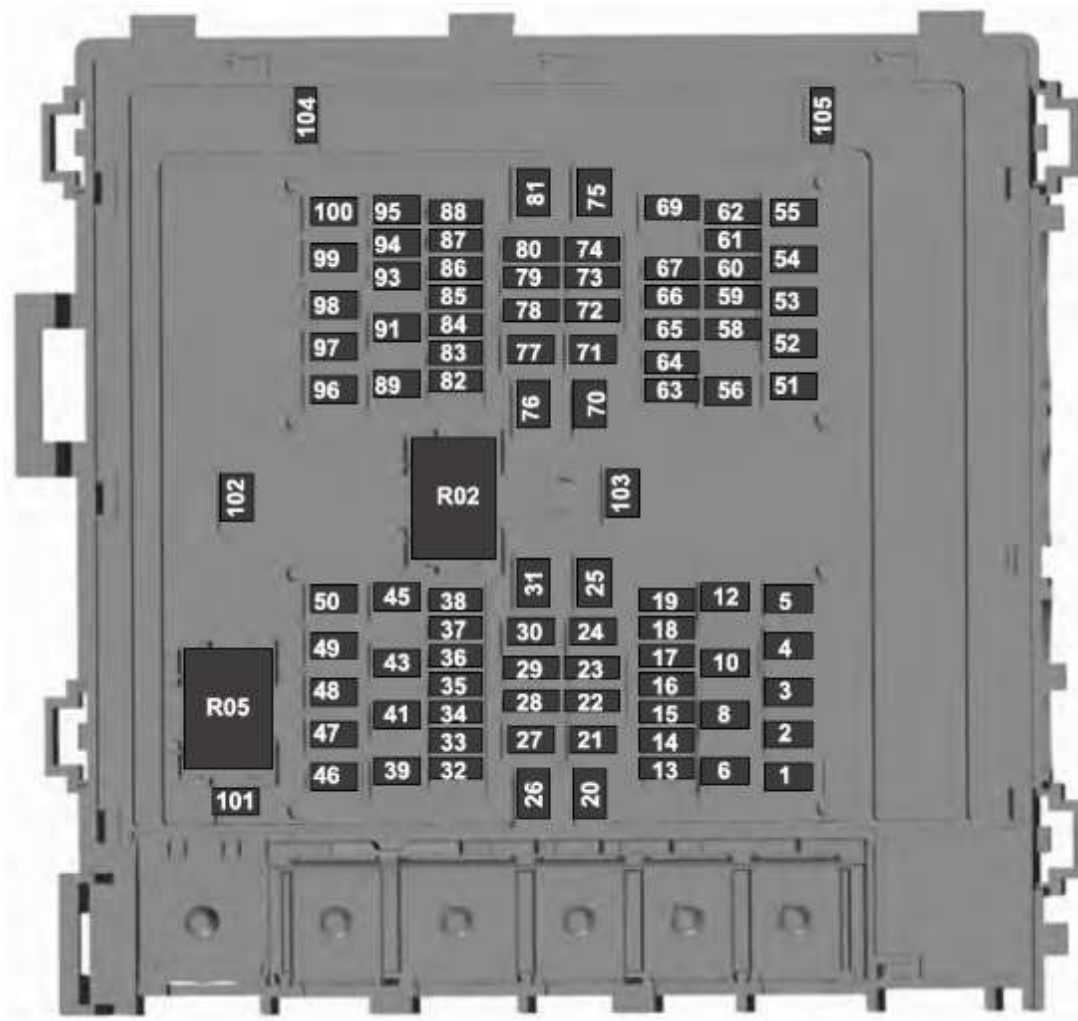
| Fuse Number | Fuse Rating | Protected Component |
|-------------|-------------|--|
| 28 | — | Not used. |
| 29 | 10 A | Alternator 1 A-Line. |
| 30 | — | Not used. |
| 31 | 60 A | Hydromax pump. |
| 32 | 20 A | Powertrain control module. |
| 33 | 20 A | Canister vent solenoid (gas). Canister purge solenoid (gas). Variable cam timing actuator 11 (gas). Heated exhaust gas oxygen sensor (gas). Urea tank power (diesel). Exhaust gas recirculation cool bypass valve (diesel). |
| 34 | 10 A | A/C clutch relay. Customer access vehicle power 3 feed. Variable oil pump (diesel). Cooling fan (diesel). Fan clutch (gas). |
| 35 | 20 A | Coil on plug (gas) Urea tank (diesel). Glow plug controller (diesel). Nitrogen oxide sensor control module (diesel). Particulate matter sensor (diesel). |
| 36 | 10 A | Fuel volume control valve (diesel). Fuel pressure regulator (diesel). |
| 37 | — | Not used. |
| 38 | — | Not used. |
| 39 | — | Not used. |
| 41 | 30 A | Trailer brake control module. |
| 43 | — | Not used. |
| 45 | — | Not used. |
| 46 | 10 A | A/C clutch solenoid. |
| 47 | 40 A | Upfitter relay 1. |
| 48 | 20 A | Upfitter run and accessory feed. |

Model Years 2021 – Present Ford F650 Engine Compartment Fuse Panel



| Fuse Number | Fuse Rating | Protected Component |
|-------------|-------------|--|
| 49 | 30 A | Pump electronics module (gas). Fuel pump (diesel). |
| 50 | 15 A | Injector power (gas). |
| 51 | 20 A | Power point #1. |
| 52 | — | Not used. |
| 53 | 30 A | Trailer tow park lamp. |
| 54 | — | Not used. |
| 55 | 20 A | Upfitter relay 3. |
| 56 | — | Not used. |
| 58 | 5 A | USB power. |
| 59 | — | Not used. |
| 60 | 10 A | Dual fuel tank selector switch (diesel). |
| 61 | — | Not used. |
| 62 | — | Not used. |
| 63 | 20 A | Driver seat compressor. |
| 64 | 20 A | Passenger seat compressor. |
| 65 | — | Not used. |
| 66 | 10 A | Four pack solenoid differential lock. |
| 67 | 10 A | Hydromax relay power. |
| 69 | — | Not used. |
| 70 | 40 A | Inverter. |
| 71 | 30 A | Anti-lock brake system valves. |
| 72 | 10 A | Brake on-off switch (hydraulic brakes). Stop lamp air pressure switch 1 and 2 (air brakes). |
| 73 | — | Not used. |
| 74 | 15 A | Heated mirror. |
| 75 | — | Not used. |

Model Years 2021 – Present Ford F650 Engine Compartment Fuse Panel



| Fuse Number | Fuse Rating | Protected Component |
|-------------|-------------|---|
| 76 | 60 A | Body control module battery feed. |
| 77 | 30 A | Body control module voltage quality monitor power feed. |
| 78 | 10 A | Transmission module (diesel). |
| 79 | 5 A | Hydromax pump monitor. |
| 80 | 10 A | Trailer tow backup signal. |
| 81 | — | Not used. |
| 82 | 5 A | Upfitter switch (factory location for Ignition power). |
| 83 | 5 A | Upfitter switch (optional location for power at all times). |
| 84 | — | Not used. |
| 85 | — | Not used. |
| 86 | — | Not used. |
| 87 | — | Not used. |
| 88 | 10 A | Cargo lamps. |
| 89 | — | Not used. |
| 91 | — | Not used. |
| 93 | — | Not used. |
| 94 | — | Not used. |
| 95 | 20 A | Stop lamps. Trailer tow stop lamps. |
| 96 | — | Not used. |
| 97 | — | Not used. |
| 98 | 30 A | Trailer tow battery charge. |
| 99 | 40 A | Upfitter relay 2. |
| 100 | 25 A | Glow plug controller. |
| 101 | — | Not used. |
| 102 | — | Not used. |
| 103 | — | Not used. |
| 104 | — | Not used. |
| 105 | 15 A | Trailer tow right-hand and left-hand stop and turn relay. |

Model Years 2021 – Present Ford F650 Passenger Compartment Fuse Panel

Location: The fuse panel is in the passenger footwell. Remove the panel cover to access the fuses. Pull the fuse panel cover toward you to remove it. When the clips of the panel disengage, let the panel fall easily.



| Fuse Number | Fuse Rating | Protected Component |
|-------------|-------------|--|
| 1 | — | Not used. |
| 2 | 10 A | Right-hand and left-hand front door lock switch. Telescopic mirror switch. Right-hand and left-hand front window switch (two window units). Right-hand and left-hand front window motor. Inverter. |
| 3 | 7.5 A | Power mirror switch. |
| 4 | 20 A | Ancillary translator module. |
| 5 | — | Not used. |
| 6 | — | Not used. |
| 7 | 10 A | Smart data link connector power. Air brake diagnostic connector. |
| 8 | — | Not used. |
| 9 | — | Not used. |
| 10 | — | Not used. |
| 11 | — | Not used. |
| 12 | 7.5 A | Smart data link connector. Enterprise wired-in-device. |
| 13 | 7.5 A | Cluster. Steering column control module. |
| 14 | — | Not used. |
| 15 | 15 A | Climate control module. |
| 16 | — | Not used. |
| 17 | — | Not used. |
| 18 | 7.5 A | Yaw sensor. Electronic stability control and non-electric stability control. |
| 19 | — | Not used. |

Model Years 2021 – Present Ford F650 Passenger Compartment Fuse Panel

Location: The fuse panel is in the passenger footwell. Remove the panel cover to access the fuses. Pull the fuse panel cover toward you to remove it. When the clips of the panel disengage, let the panel fall easily.



| Fuse Number | Fuse Rating | Protected Component |
|-------------|-------------|---|
| 20 | 5 A | Ignition switch. |
| 21 | 5 A | Exhaust brake switch. |
| 22 | — | Not used. |
| 23 | 30 A | Left-hand front window motor. |
| 24 | — | Not used. |
| 25 | — | Not used. |
| 26 | 30 A | Right-hand front motor window. |
| 27 | — | Not used. |
| 28 | — | Not used. |
| 29 | 15 A | Relay folding mirror. |
| 30 | 5 A | Brake signal for air brake. Customer access stop lamp signal. Brake on-off isolation relay. Trailer tow stop lamp relay. |
| 31 | 10 A | Upfitter Interface module. Remote radio frequency receiver. |
| 32 | 20 A | Radio. |
| 33 | — | Not used. |
| 34 | — | Not used. |
| 35 | 5 A | Tow haul switch. |
| 36 | 15 A | Lane departure warning camera. |
| 37 | — | Not used. |
| 38 | 30 A | Left-hand front power window switch (four window units). |