

Changing a Road Wheel

CHANGING A FLAT TIRE - GASOLINE



WARNING: Failure to follow these guidelines could result in an increased risk of loss of vehicle control, injury or death.



WARNING: Do not attempt to change a tire on the side of the vehicle close to moving traffic. Pull far enough off the road to not obstruct the flow of traffic and avoid the danger of being hit when operating the jack or changing the wheel.



WARNING: Switch the ignition off and apply the parking brake. If your vehicle has a manual transmission, shift into first or reverse gear. If your vehicle has an automatic transmission, shift into park (P).



WARNING: Make sure that your vehicle is on firm and level ground with the front wheels pointing straight ahead and set up a warning triangle if available.



WARNING: To help prevent your vehicle from moving when changing a wheel, use an appropriate block or wheel chock to secure the wheel diagonally opposite to the wheel being changed. For example, when changing the front left wheel, place an appropriate block or wheel chock on the right rear wheel.

Make sure all passengers are out of your vehicle.

Note: *The use of tire sealants can damage the tire pressure monitoring system.*

Note: *The tire pressure monitoring system indicator light illuminates when the spare tire is in use. To restore the full function of the monitoring system, all road wheels equipped with tire pressure monitoring sensors must be mounted on this vehicle.*

Note: *If your vehicle has a tire pressure monitoring system, the warning indicator flashes if you fit the spare wheel to your vehicle. To restore the correct operation of the tire pressure monitoring system, you must have the repaired road wheel and tire assembly refitted to your vehicle. See **Tire Pressure Monitoring System – Warning Lamps** (page 432). To prevent damage occurring to the tire pressure monitoring system sensors, make sure you have the damaged tire repaired or replaced by a tire professional.*

If the spare wheel is the same type and size as your vehicle road wheel, you can fit the spare wheel and continue to drive in the normal manner.

If the spare wheel is not the same type and size as your vehicle road wheel, it has a label showing the maximum driving speed limit.

If the spare wheel is not the same type and size as your vehicle road wheel we recommend installing the temporary spare wheel and tire on the front axle.

The spare wheel is under the rear of your vehicle.

You can obtain replacement locking wheel nuts or a locking wheel nut key using the reference number certificate.

The locking wheel nut key is in the glove box or in the storage compartment in the front right-hand side stepwell.

Changing a Road Wheel

Van, Bus or Wagon



E145138

1. Open the rear doors and remove the grommet.



2. Insert the square end of the wheel nut wrench or the short arm of the jack handle into the socket. Turn counterclockwise until the spare wheel rests on the ground and the cable is loose enough to allow the spare wheel to be pulled from under the vehicle.



E146811

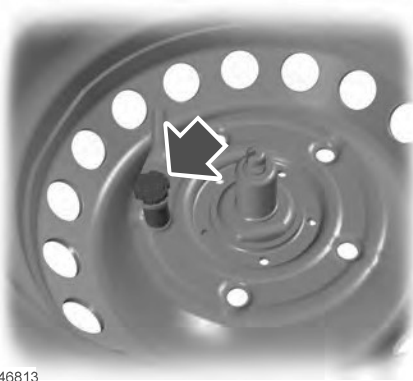
3. Raise the cable end cover.



E146812

4. Rotate the cable through 90°. Slide the cable through the slot to release the spare wheel bracket from the winch.

Changing a Road Wheel

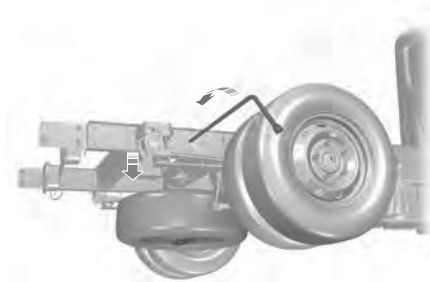


E146813

5. Remove the retaining nut to release the spare wheel bracket.
6. Leave the cable extended. You need to use it to stow the flat wheel and tire assembly.

Note: Do not raise the spare wheel bracket without a wheel attached. Damage to the winch mechanism could occur.

Chassis Cab and Cutaway



1. Insert the square end of the wheel nut wrench or the short arm of the jack handle into the socket. Turn counterclockwise until the spare wheel rests on the ground and the cable is loose enough to allow the spare wheel to be pulled from under the vehicle.



E146811

2. Raise the cable end cover.

Changing a Road Wheel



E146812

3. Rotate the cable through 90°. Slide the cable through the slot to release the spare wheel bracket from the winch.



E146813

4. Remove the retaining nut to release the spare wheel bracket.
5. Leave the cable extended. You need to use it to stow the flat wheel and tire assembly.

Note: Do not raise the spare wheel bracket without a wheel attached. Damage to the winch mechanism could occur.

Vehicle Jack

⚠ WARNING: Only use the jack provided as original equipment with your vehicle.

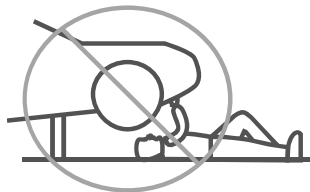
⚠ WARNING: The jack supplied with this vehicle is only intended for changing a flat tire in an emergency. Do not attempt to do any other work on your vehicle when it is supported by the jack, as your vehicle could slip off the jack. Failure to follow this instruction could result in personal injury or death.

⚠ WARNING: Switch off the running boards before jacking or placing any object under your vehicle. Never place your hand between the extended running board and your vehicle. A moving running board may cause injury.

⚠ WARNING: Never place anything between the vehicle jack and your vehicle.

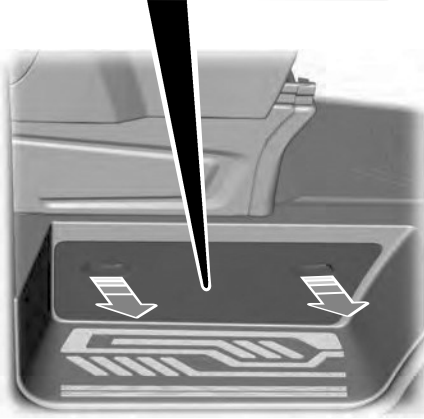
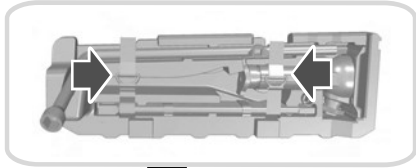
⚠ WARNING: Never place anything between the vehicle jack and the ground.

⚠ WARNING: Do not get under a vehicle that is supported by a jack.



Changing a Road Wheel

Vehicle Jack Storage



The jack, jack handle and wheel nut wrench are in a storage compartment in the front right-hand side stepwell.

Note: *The vehicle jack is in the load space area on vehicles with rear climate control.*



1. Assemble the jack handle.
2. Insert the jack handle into the jack.

3. Insert the end of the jack handle into the wheel nut wrench and rotate clockwise to raise your vehicle.

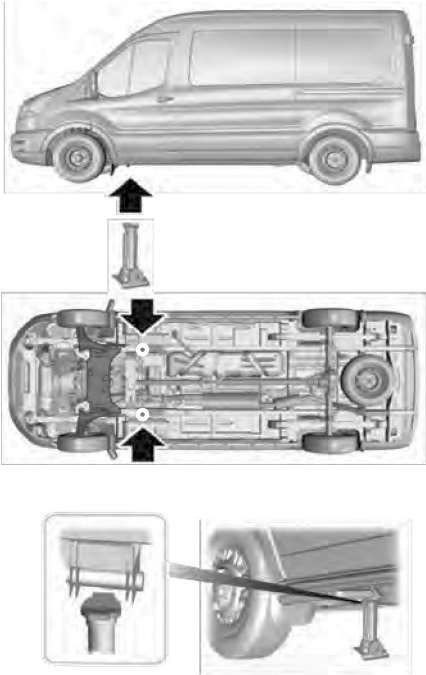
Front Jacking Points

WARNING: Only use the specified jacking points. If you use any other locations you could damage vehicle components, such as brake lines.

WARNING: No person should place any portion of their body under a vehicle that is supported by a jack.

Note: *If your vehicle has rear air conditioning make sure the vehicle jack does not come in contact with the air conditioning lines.*

Changing a Road Wheel

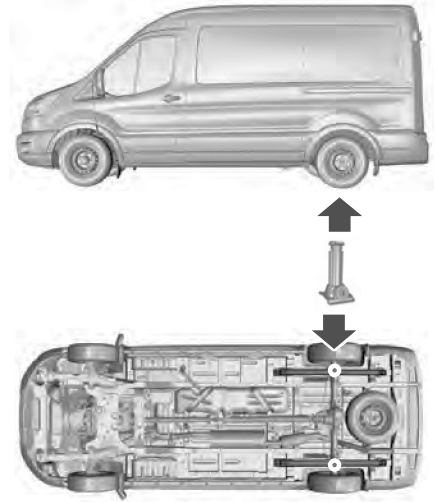


Position the head of the vehicle jack under the protrusions at the rear of front sub-frame.

Rear Jacking Points

⚠ WARNING: Only use the specified jacking points. If you use any other locations you could damage vehicle components, such as brake lines.

⚠ WARNING: No person should place any portion of their body under a vehicle that is supported by a jack.

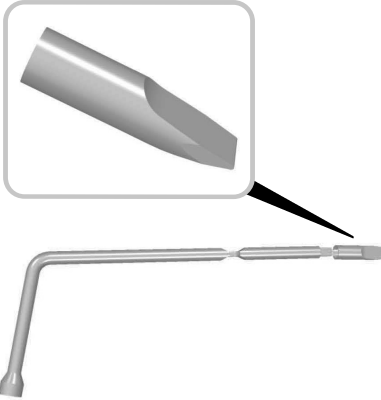


Position the head of the vehicle jack under the rear axle.

Changing a Road Wheel

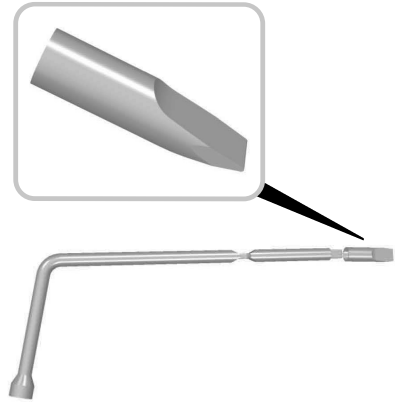
Removing a Wheel Trim (If Equipped)

Vehicles With Steel Wheels



1. Assemble the wheel trim removal tool onto the square end of the wheel nut wrench. The tool is in the storage compartment in the front right-hand side stepwell near the wheel nut wrench.
2. Insert the tip of the assembled tool between the wheel rim and the wheel trim.
3. Carefully remove the wheel trim.

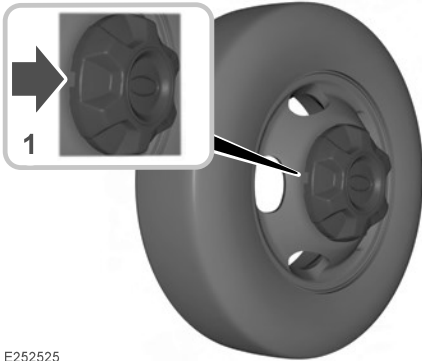
Vehicles With Dual Rear Alloy Wheels



1. Assemble the wheel trim removal tool onto the square end of the wheel nut wrench. The tool is in the storage compartment in the front right-hand side stepwell near the wheel nut wrench.
2. Insert the tip of the assembled tool between the wheel rim and the wheel trim.
3. Carefully remove the wheel trim.

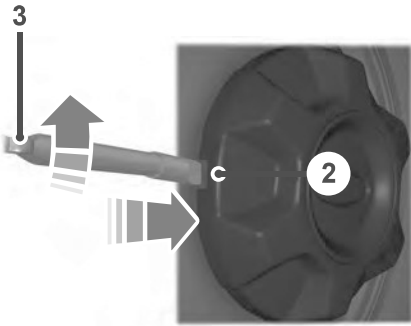
Changing a Road Wheel

Front Wheel Trim



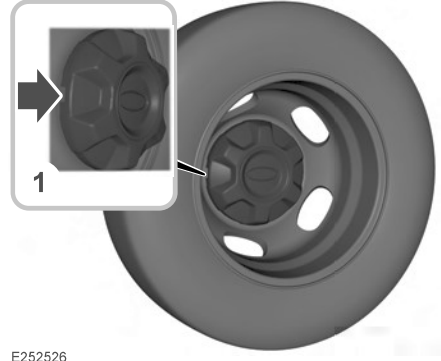
E252525

1. Locate the notch in the wheel trim.



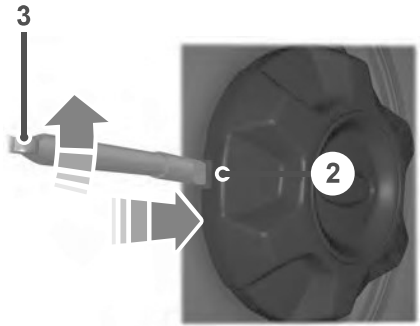
2. Insert the wheel trim removal tool into the notch in the wheel trim.
3. Rotate the wheel trim removal tool and remove the wheel trim.

Rear Wheel Trim



E252526

1. Locate the notch in the wheel trim.



2. Insert the wheel trim removal tool into the notch in the wheel trim.
3. Rotate the wheel trim removal tool and remove the wheel trim.

Removing a Road Wheel

1. Use the locking wheel nut key to loosen the locking wheel nut.

Changing a Road Wheel

2. Loosen the remaining wheel nuts, but do not remove them.
3. Raise your vehicle until the tire is clear of the ground.
4. Remove the wheel nuts and the road wheel.

Note: Do not lay alloy road wheels face down on the ground.

Installing a Road Wheel



WARNING: Only use the spare wheel and tire assembly provided as original equipment with your vehicle.



WARNING: Make sure there is no grease or oil on the threads or the surface between the wheel studs and the wheel nuts. This can cause the wheel nuts to loosen while driving.

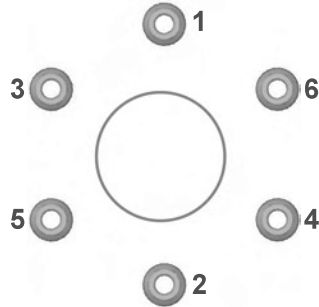
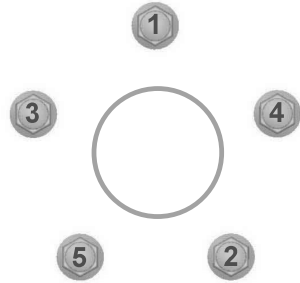


WARNING: When you install a wheel, remove any corrosion, dirt or foreign materials present on the mounting surfaces of the wheel or the surface of the wheel hub, brake drum or brake disc that contacts the wheel. Make sure to secure any fasteners that attach the rotor to the hub so they do not interfere with the mounting surfaces of the wheel. Installing wheels without following these steps can cause the wheel nuts to loosen and the wheel to come off while your vehicle is in motion, resulting in loss of vehicle control, personal injury or death.



WARNING: Have the wheel nuts checked for tightness and the tire pressure checked as soon as possible.

1. Install the wheel.



E70961

2. Install all of the wheel nuts and partially tighten them in the sequence shown.
3. Lower your vehicle and remove the vehicle jack.
4. Fully tighten all of the wheel nuts in the sequence shown. See **Locating the Tire label** (page 410).
5. Install the wheel trim.

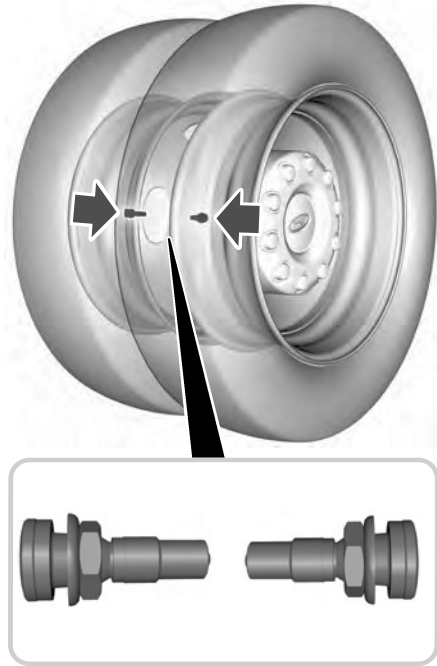
Note: Make sure that the wheel nuts are fully seated against the wheel.

Note: Alloy wheel nuts are suitable for use on a steel spare wheel.

Changing a Road Wheel

Note: If the spare wheel is not the same type and size as your vehicle road wheel replace it as soon as possible.

Note: Check the wheel nuts for correct tightness and check the tire pressure as soon as possible. See **Locating the Tire label** (page 410).



Note: When installing dual rear wheels, align the valve stems facing each other.

Stowing the Wheel and Vehicle Jack

Note: Do not raise the spare wheel bracket without a wheel attached. If you lower the spare wheel bracket without a wheel attached, you may damage the winch mechanism.

1. Attach the spare wheel bracket to the wheel using the retaining nut.
2. Slide the cable through the slot and attach the spare wheel bracket to the winch.
3. Rotate the cable through 90° and lower the cable end cover.



E145138

4. Insert the square end of the wheel nut wrench into the socket. Turn an additional 90° once you feel a strong resistance.

Note: Make sure the spare wheel is secure by tightening the winch until you feel a slip.

Note: Make sure the wheel is securely stowed in the spare wheel well to avoid issues when driving.

5. Reinstall the grommet, stow the vehicle jack, jack handle and wheel nut wrench in their correct locations and secure them with the straps.