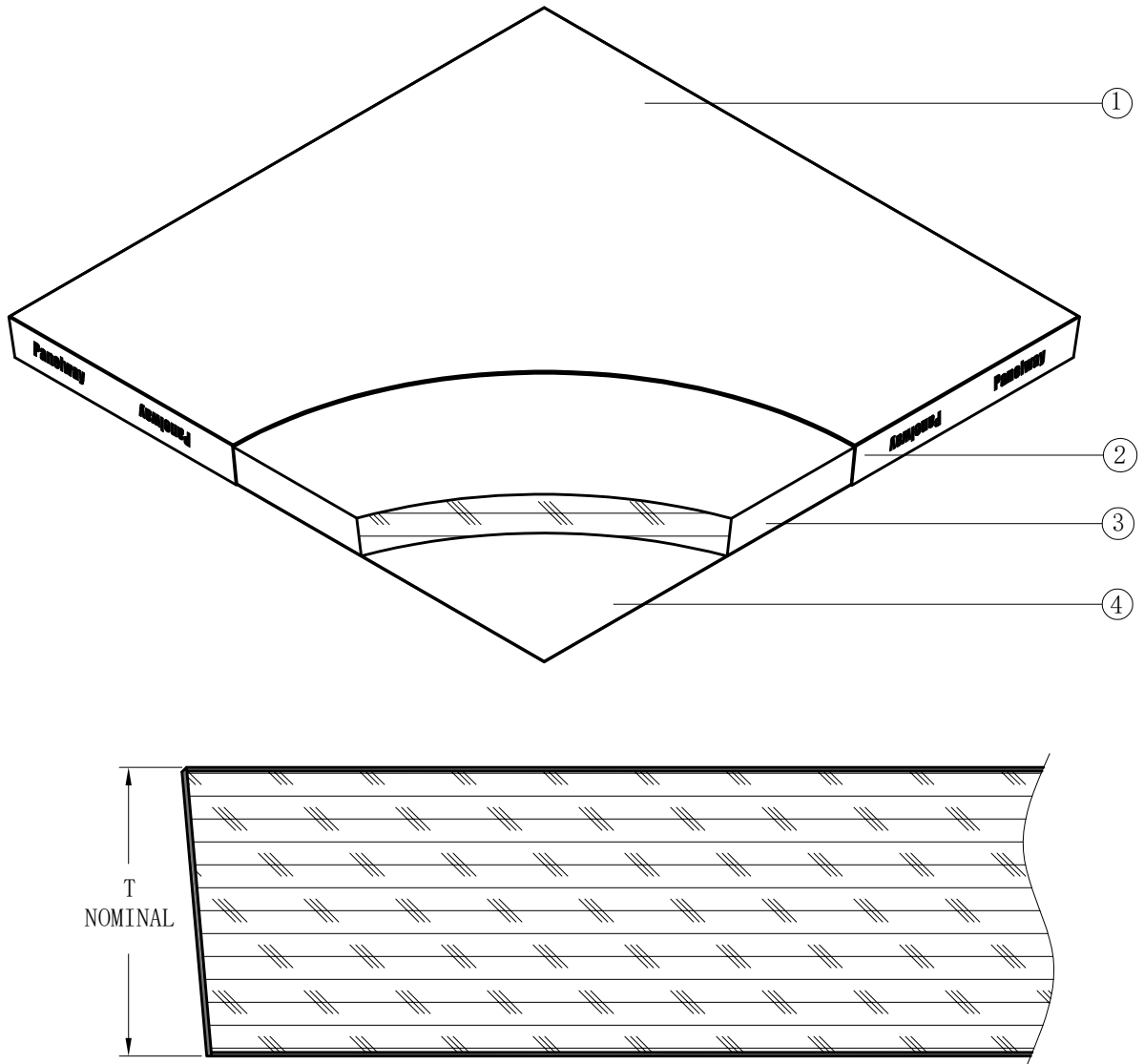


SUPPLEMENTARY NOTES

1. STEEL SHEET ADHERED TO CHIPBOARD PANEL
2. PVC STRIP EDGE, FOUR PIECES PER PANEL
3. CALCIUM SULPHATE BOARD
4. HOT GALVANIZED STEEL SHEET

PERFORMANCE SELECTION CHART

PANEL MODEL	CONCENTRATED LOAD		UNIFORM LOAD		T
	(LBS)	(N)	(LBS/FT ²)	(N/M ²)	
CS800-B	800	3560	355	17000	30
CS1000-B	1000	4450	480	23000	35

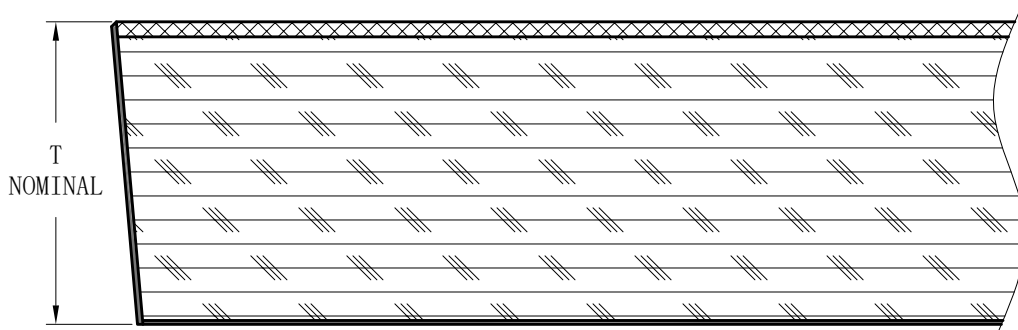
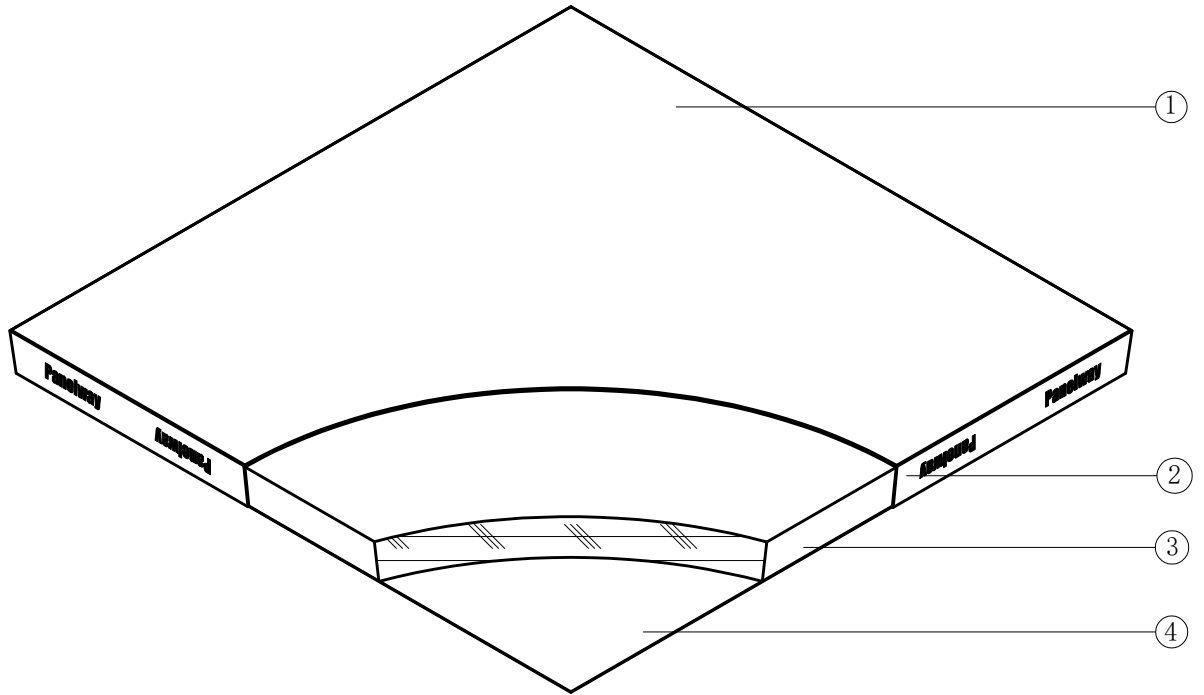


SUPPLEMENTARY NOTES

1. HPL TILE ADHERED TO CHIPBOARD PANEL
2. PVC STRIP EDGE, FOUR PIECES PER PANEL
3. CALCIUM SULPHATE BOARD
4. HOT GALVANIZED STEEL SHEET

PERFORMANCE SELECTION CHART

PANEL MODEL	CONCENTRATED LOAD		UNIFORM LOAD		T
	(LBS)	(N)	(LBS/FT ²)	(N/M ²)	
CS800-H	800	3560	355	17000	30
CS1000-H	1000	4450	480	23000	35



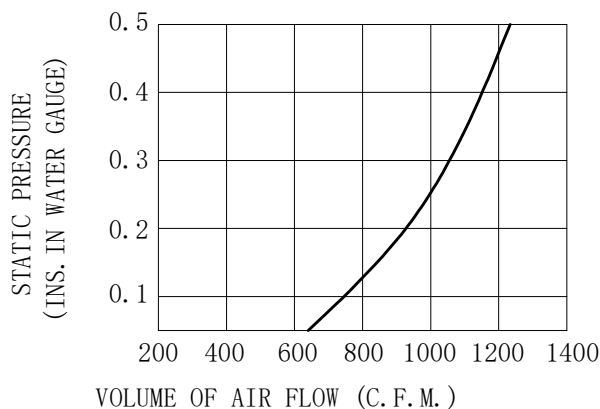
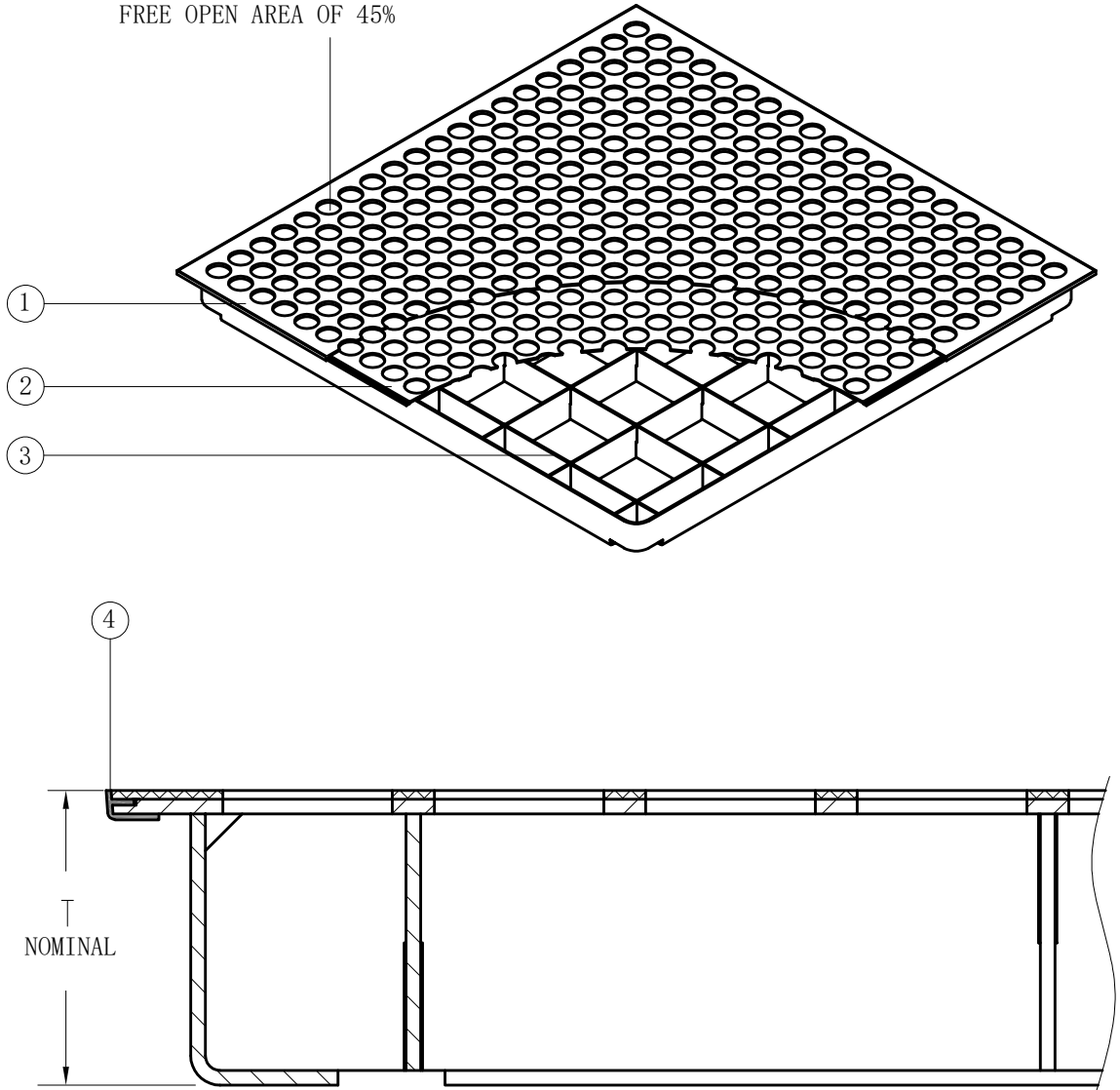
SUPPLEMENTARY NOTES

1. VINYL TILE ADHERED TO CHIPBOARD PANEL
2. PVC STRIP EDGE, FOUR PIECES PER PANEL
3. CALCIUM SULPHATE BOARD
4. HOT GALVANIZED STEEL SHEET

PERFORMANCE SELECTION CHART

PANEL MODEL	CONCENTRATED LOAD		UNIFORM LOAD		T
	(LBS)	(N)	(LBS/FT ²)	(N/M ²)	
CS800-V	800	3560	355	17000	30
CS1000-V	1000	4450	480	23000	35

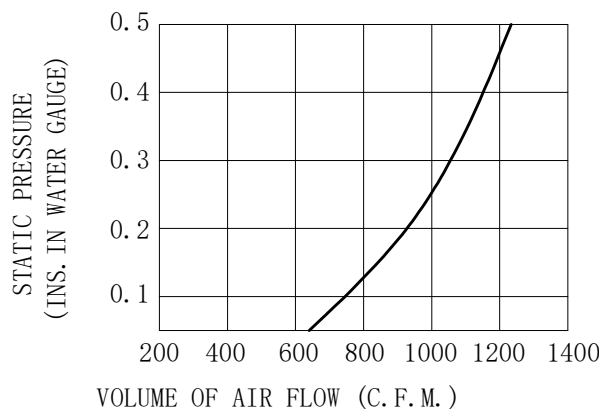
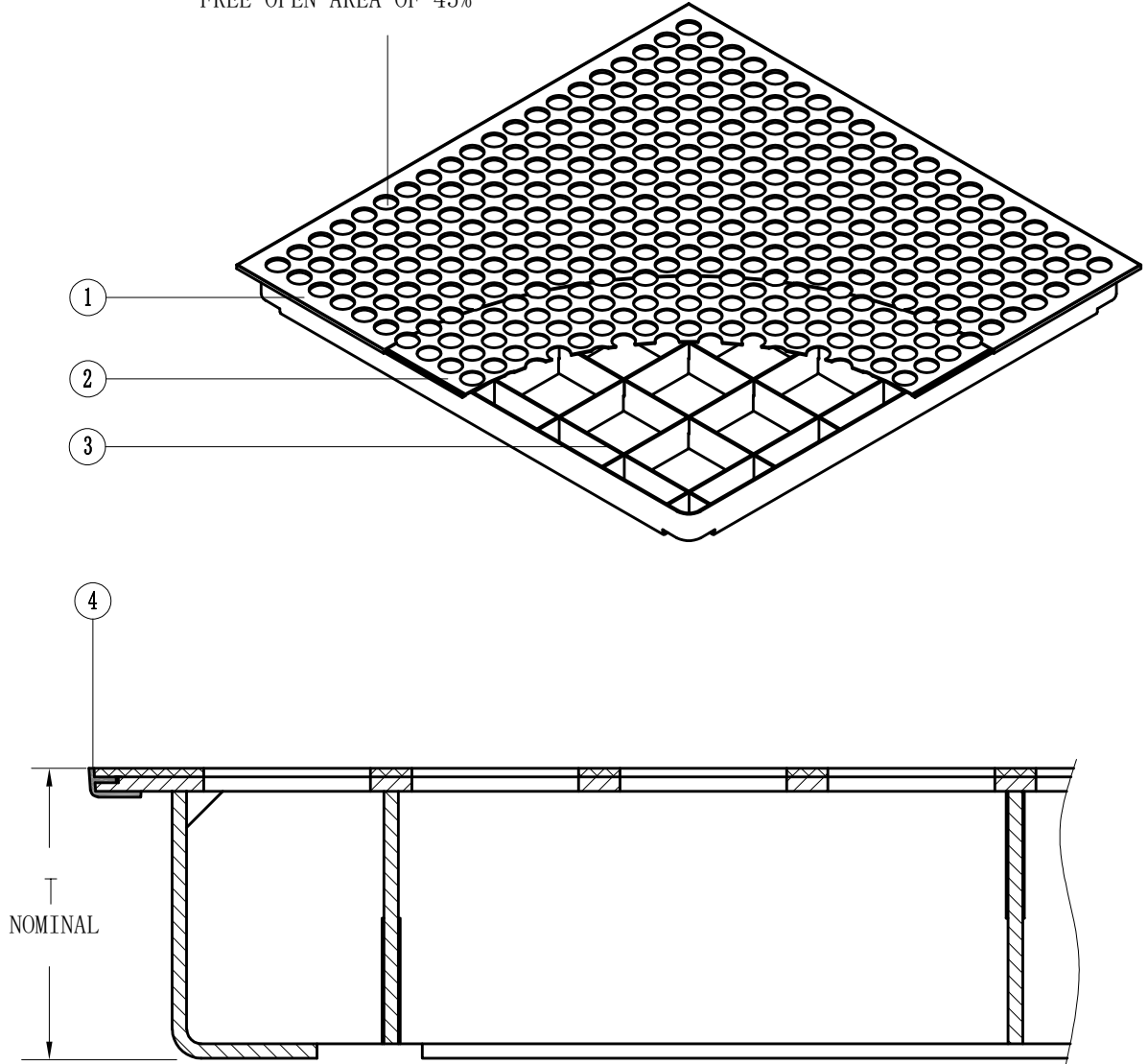
DIA. 23MM HOLE-400 PER PANEL
FREE OPEN AREA OF 45%



SUPPLEMENTARY NOTES

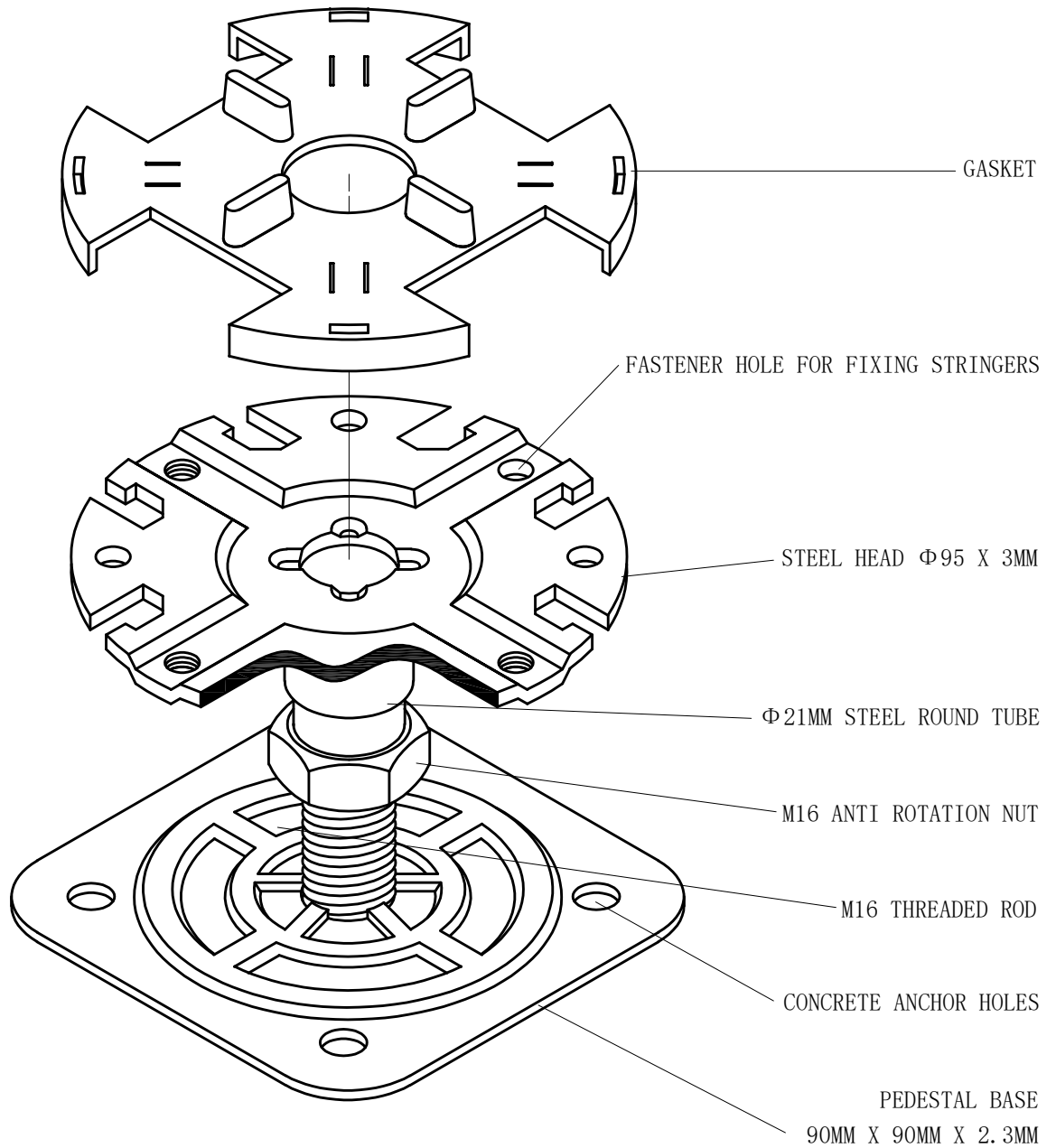
1. HPL TILE ADHERED TO STEEL PANEL
2. INNER AND OUTER STEEL SURFACES PHOSPAHTE TREATED PRIOR TO POWDER COATING
3. REINFORCED BAR
4. "F" TYPE PVC TRIM EDGE
5. PRODUCT MODEL: CS-H-2AF

DIA. 23MM HOLE-400 PER PANEL
FREE OPEN AREA OF 45%



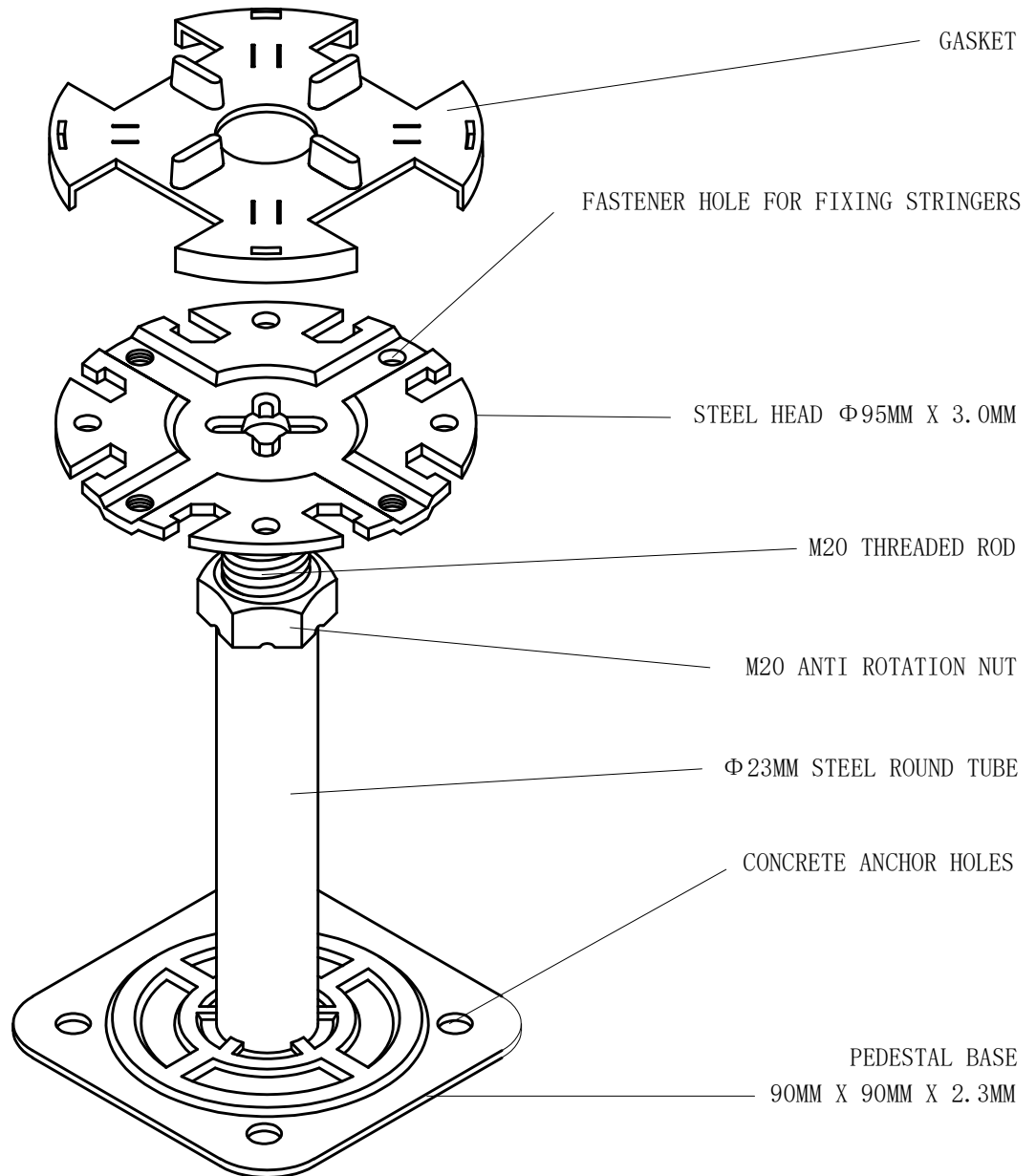
SUPPLEMENTARY NOTES

1. VINYL TILE ADHERED TO STEEL PANEL
2. INNER AND OUTER STEEL SURFACES PHOSPAHTE TREATED PRIOR TO POWDER COATING
3. REINFORCED BAR
4. "F" TYPE PVC TRIM EDGE
5. PRODUCT MODEL: CS-V-2AF



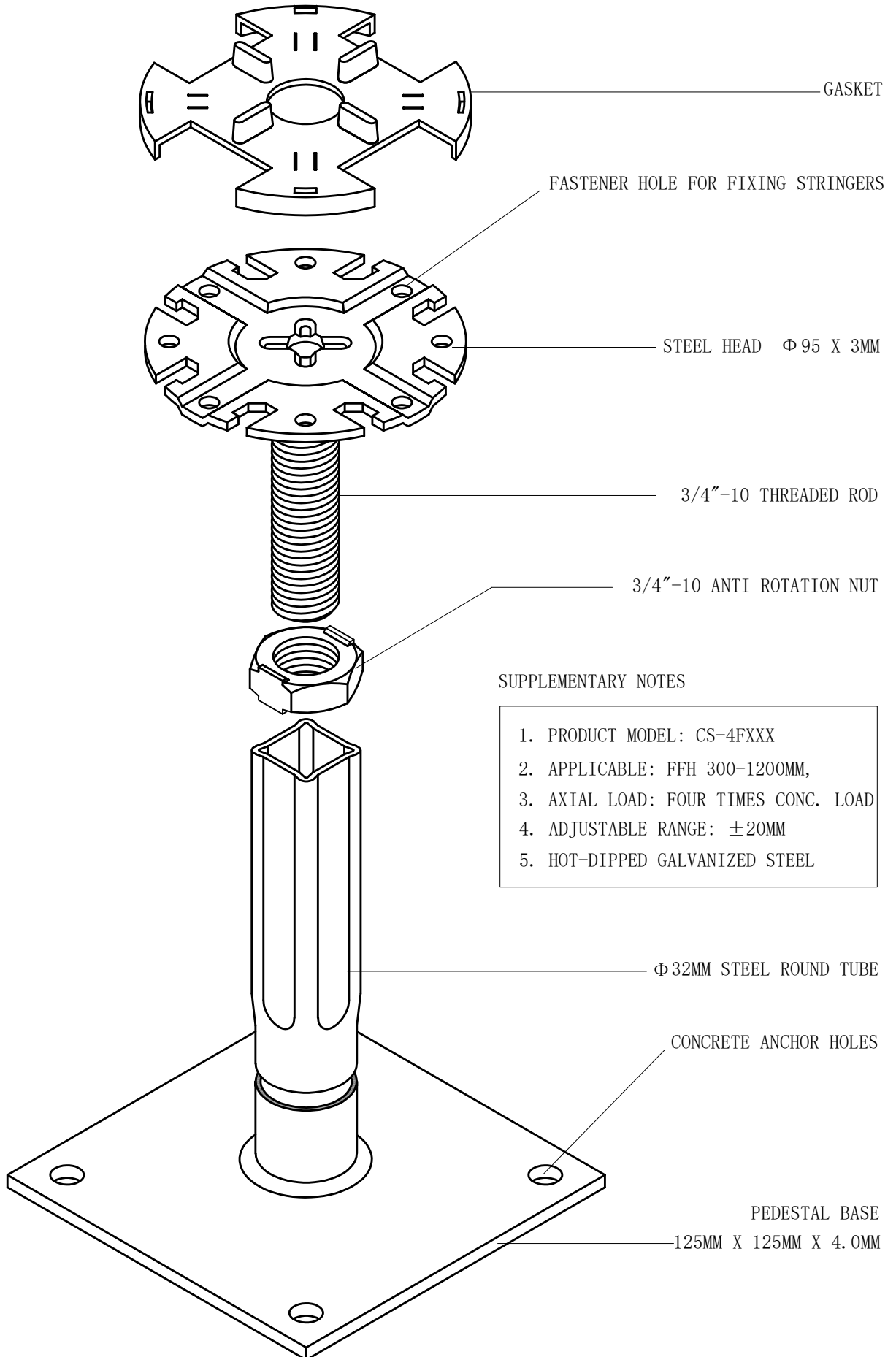
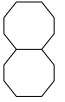
SUPPLEMENTARY NOTES

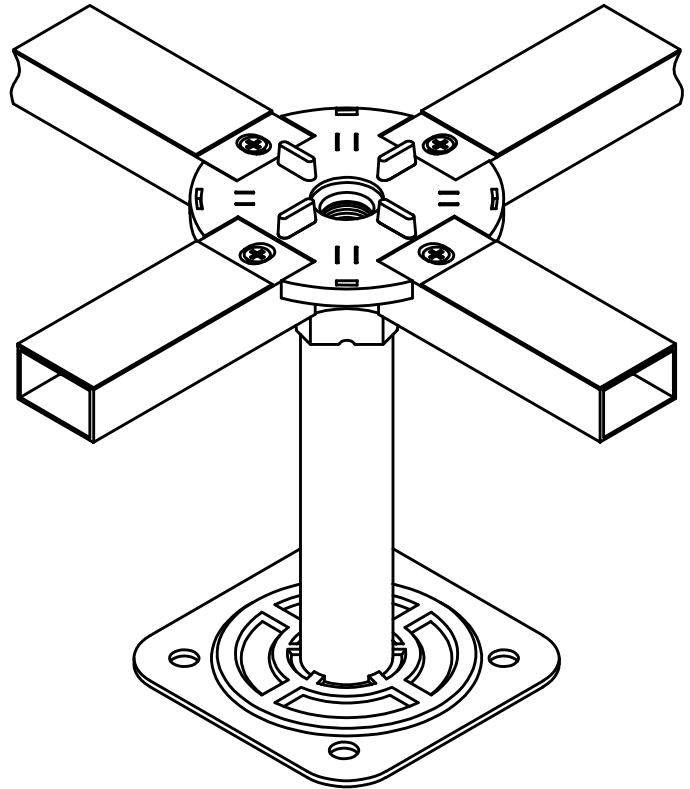
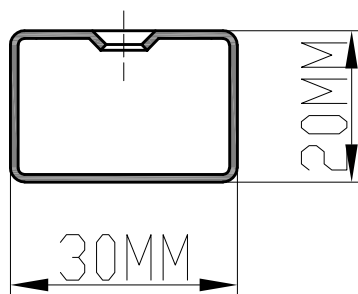
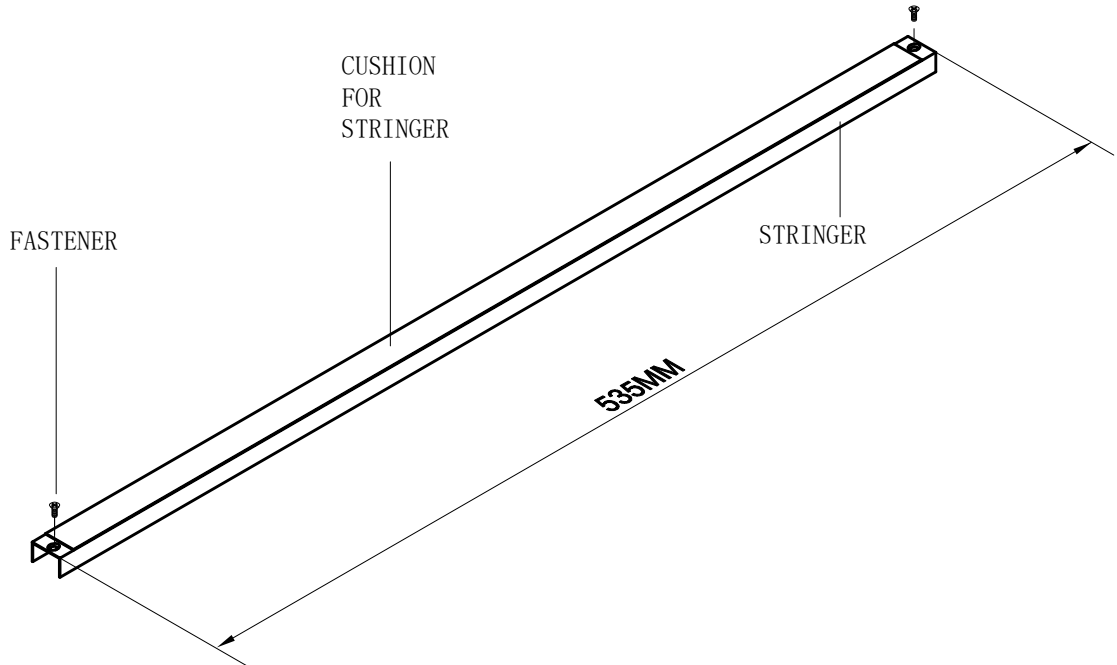
1. PRODUCT MODEL: CS-1FXXX
2. APPLICABLE: FFH 90MM-110MM,
3. AXIAL LOAD: FOUR TIMES CONC. LOAD
4. ADJUSTABLE RANGE: $\pm 10\text{MM}$ - $\pm 17\text{MM}$
5. HOT-DIPPED GALVANIZED STEEL



SUPPLEMENTARY NOTES

1. PRODUCT MODEL: CS-3FXXX
2. APPLICABLE: FFH 120MM-600MM,
3. AXIAL LOAD: FOUR TIMES CONC. LOAD
4. ADJUSTABLE RANGE: ± 10 - $\pm 20\text{MM}$
5. HOT-DIPPED GALVANIZED STEEL

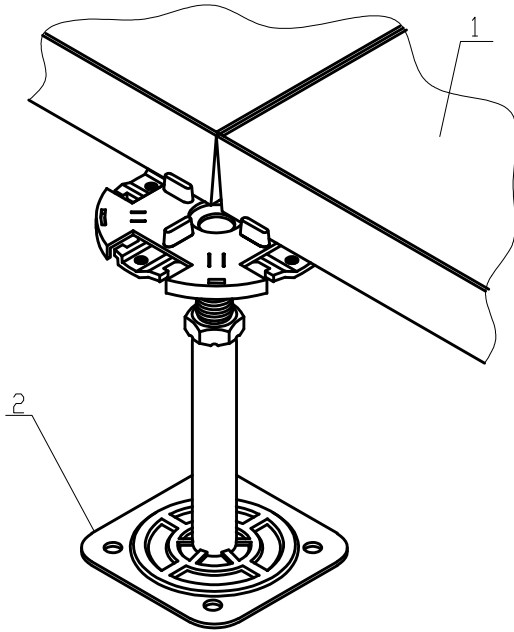




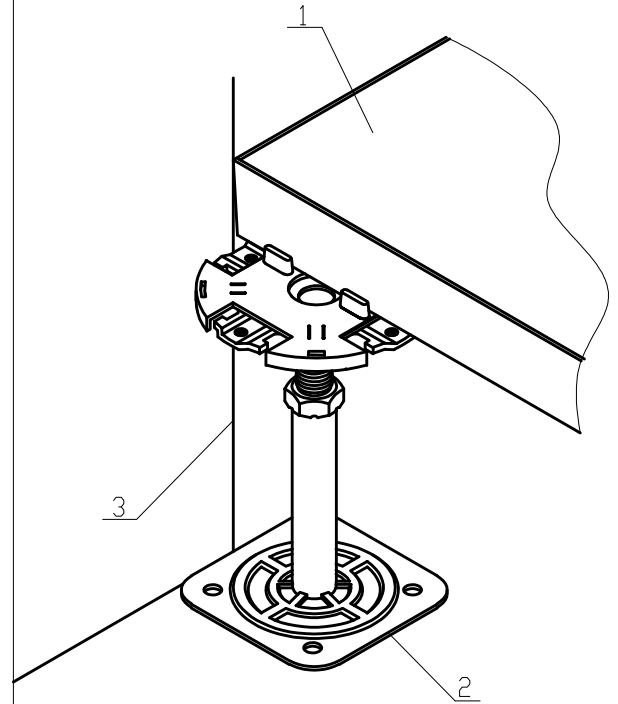
SUPPLEMENTARY NOTES

- 1. PRODUCT MODEL: CS-G600
- 2. TWO FASTENERS PER STRINGER

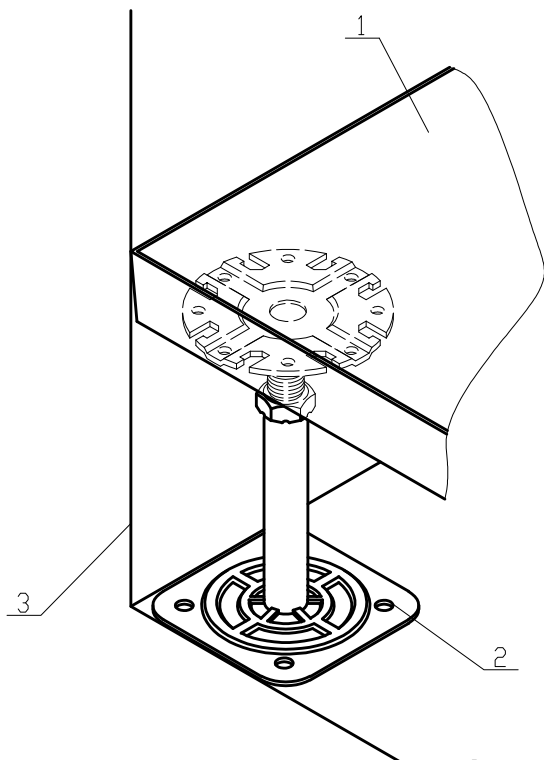
① ② ③ CS SYSTEM INSTALLATION WITHOUT STRINGER



① NORMAL



② PERIMETER

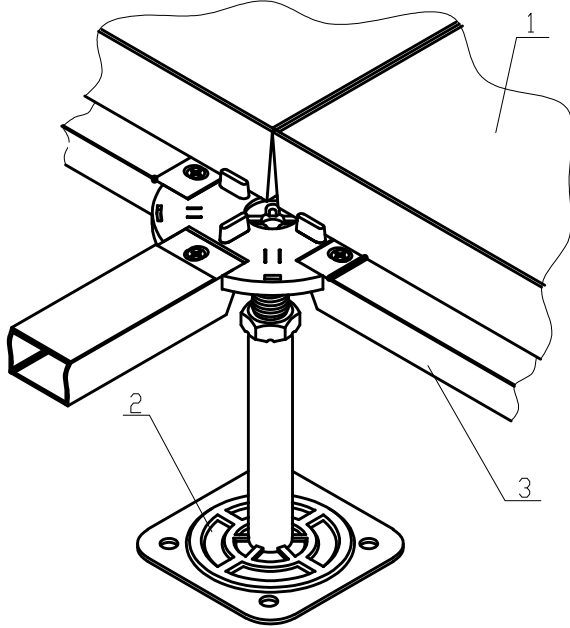


③ CORNER

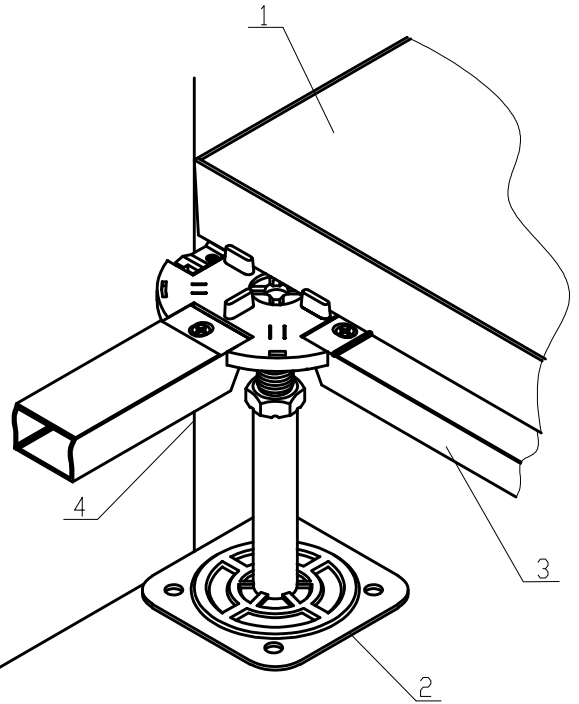
SUPPLEMENTARY NOTES

- 1. CS PANEL
- 2. PEDESTAL
- 3. WALL

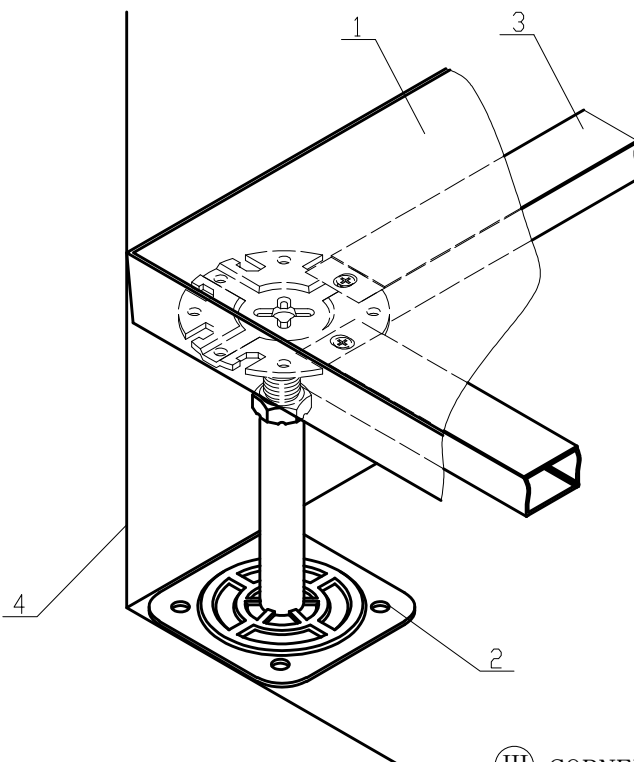
① ② ③ CS SYSTEM INSTALLATION WITH STRINGER



① NORMAL



② PERIMETER



③ CORNER

SUPPLEMENTARY NOTES

- 1. CS PANEL
- 2. PEDESTAL
- 3. STRINGER
- 4. WALL