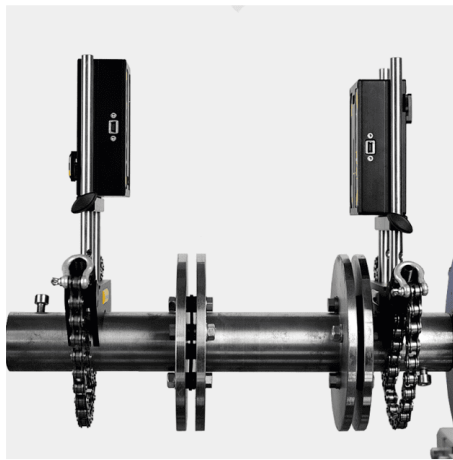


VLSAT Base

Use all features for free 30 days
Simple license key upgrade

The VLSAT Base is the perfect introductory laser shaft alignment system for beginners and advanced users alike. With the VLSAT Base you receive the most common features for laser shaft alignment and can easily upgrade to more advanced features with a simple license key upgrade



Technical data

Bluetooth	4.0
Distance Between Units	up to 10 m (33 ft)
Laser Emission	diode laser with wavelength 635nm, class II, <1 mW
Dimensions	90mm x 60mm x 32mm(3.5 in x 2.3 in x 1.2 in)
Detector Receiver Length	30 mm (1.2 in)
Detector Resolution	0.001 mm
Protection Class	IP67 (Dust-tight and protected against water)
Measurement Accuracy	0.3% ± 7µm
Operating Temperature	from -10 °C to +55 °C (14 to 122°F)
Operating Time	up to 20 hours
Detector Type	latest generation of industrial linear detector
Ex Certification (option)	EACEx in accordance with Customs Union Technical Regulation TP TC 012/2011. Harmonized with UL as per https://www.ul.com/services/eurasian-conformity-eac-ex-certification

Advantages

Multi-Platform Solution

We are the first to offer a full-featured system that works on any iOS, Android, or Windows device.



We Provide Training

While we know our product is easy-to-use ... if you would like advanced training you can learn from us in our New York facility or from our distributors across the globe.



Remote Update

Get the latest updates via easy web download or the app stores. Add features just as easily by simply updating your license code.



Resource Savings

We have accelerated the alignment process to make your machines more cost-efficient and last longer.



International Team

Our team consists of some of the world's leading minds in precision alignment, condition monitoring, laser technology, and entrepreneurship.



Best Offer on the Market

Our products meet the highest quality standards and balance the best price and feature set. Technology has become less expensive!



Software

Horizontal Alignment

A brand-new step by step, intuitive interface with 3D animation simplifies the operator's work and reduces time spent on alignment. A unique memory management system allows you to save progress at any stage of the process and resume whenever you want

SmartAngle™

Take measurements at any three positions of the shaft rotation. Turn shafts in any direction at least by 20 degrees and register the results. This mode is extremely helpful when the clock method is off limits

Soft Foot Check

Adjust machine feet beforehand for better results. Soft foot check option is designed specifically for this job. The program analyzes the position of machine feet, indicates if any of them need adjustment, and saves all values for the further work

SmartFilter™

Keep the alignment precise under any circumstances. The averaging filter reduced the influence of external visual challenges such as lighting, steam, and other visually impairing variables while taking measurements

Sensor Readings

Monitor the data coming directly from the measuring units on the screen of your device

User Friendly Reports

Save alignment reports in PDF, add photos of the unit, the company logo and work notes when necessary

Switchit™

Simplify the measurements by selecting the machine location relative to an operator.

Clock Method

An alignment method which requires the measurements taken at any three of four preset clock positions (3, 6, 9 and 12 o'clock)

Vertical/Flange Mounted Machines

Measure and align vertical and flange machines with a program specially created for this purpose

User Defined Tolerance

Specify the alignment tolerance and user definable tolerances in advance according to the machine rotation speed

VibeDr™

VibeDr filters vibration related influences that can negatively impact precision alignment thus insuring the machines in the same proximity do not adversely affect your alignment job.

Save Job

Save Job Feature - Allows user save alignment job status at any time and return to the job at a later time

Thermal Growth Expansion

Automatic compensation system for the thermal growth expansion of machines allows to keep the efficiency of alignment in any environment

What's in case



Featured Accessories



Standard V-bracket



Shims



Chain w/Screw End



Let's talk

+1 518-874-2700

info@vibro-laser.com

52 Main Street, Queensbury, NY 12804 USA