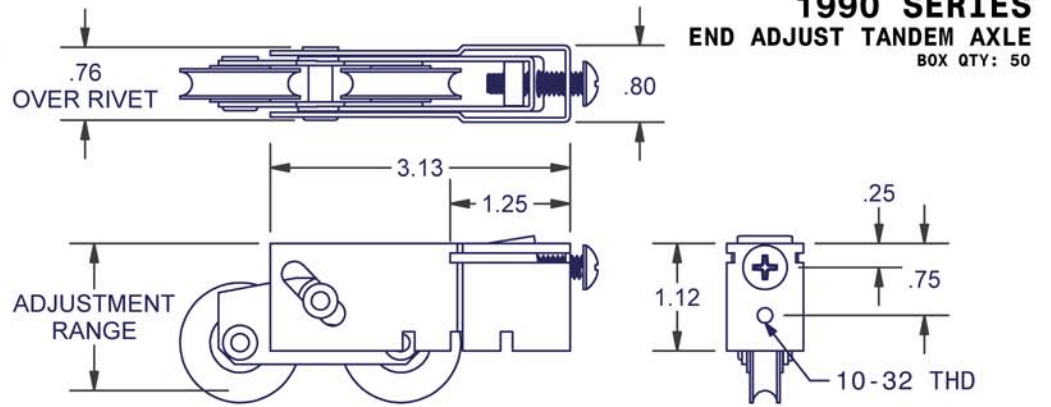
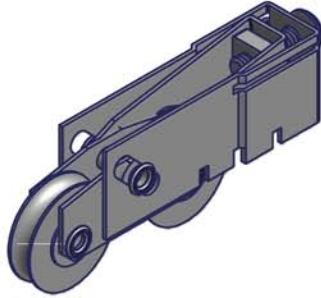


QUOTE REQUEST INFORMATION:

- _____ = DOORS PER YEAR FORECAST
- _____ = HOUSING MATERIAL
- _____ = WHEEL DIA
- _____ = ADJUSTMENT (C2 OR C3)
- _____ = BEARING MATERIAL



1990 SERIES
END ADJUST TANDEM AXLE
 BOX QTY: 50

HOUSING MATERIAL	WHEEL DIA.	ADJUSTMENT RANGE		BEARING MATERIALS
		C2	C3	
S, SS	1.00	1.12-1.53	0.99-1.40	S, SS
	1.12	1.18-1.59	1.05-1.46	S, SS
	1.25	1.25-1.66	1.12-1.53	PRS, PST, S, SS, TBN
	1.43	1.34-1.75	1.22-1.63	BNSS, PRS, PST, S, SS
	1.50	1.37-1.78	1.25-1.66	PRS, PST, S, SS, TBN

LEGEND			
CODE	DESCRIPTION	CODE	DESCRIPTION
TBN	NYLON WHEEL W/ STEEL BEARING	S	MILD STEEL W/ YZD PLATING WHEEL & BEARING
BNSS	NYLON WHEEL W/ STAINLESS STEEL BEARING	PST	STEEL WHEEL W/ PRECISION BEARING
PRN	NYLON WHEEL W/ PRECISION BEARING	SS	STAINLESS STEEL WHEEL & BEARING
		PRS	STAINLESS STEEL WHEEL W/ PRECISION BEARING

DIMENSIONS ARE FOR REFERENCE ONLY AND ARE IN INCHES UNLESS OTHERWISE NOTED.
 CONTACT OUR ENGINEERING DEPARTMENT WITH SPECIFIC APPLICATION QUESTIONS OR REQUIREMENTS.
 NOT ALL COMBINATIONS LISTED ARE CURRENTLY STOCKED, EXTRA LEAD TIME MAY BE REQUIRED.

SLIDING DOOR ROLLERS

BEARING WEIGHT CAPACITY FOR REFERENCE ONLY

BEARING WEIGHT CAPACITY FOR REFERENCE ONLY

BEARING DIAMETER	BEARING MATERIAL	BEARING GRADE	*MAXIMUM LOAD PER BEARING (POUNDS)
1.00"	STEEL	STANDARD	75
	STAINLESS STEEL	STANDARD	75
1.125"	STEEL	STANDARD	75
	STAINLESS STEEL	STANDARD	75
1.25"	STEEL	STANDARD	100
	STEEL	PRECISION	150
	STAINLESS STEEL	STANDARD	100
	STAINLESS STEEL	PRECISION	150
	NYLON	STANDARD	75
1.43"	STEEL	STANDARD	100
	STEEL	PRECISION	150
	STAINLESS STEEL	STANDARD	125
	STAINLESS STEEL	PRECISION	150
	NYLON	STANDARD	75
1.50"	STEEL	STANDARD	100
	STEEL	PRECISION	150
	STAINLESS STEEL	STANDARD	125
	STAINLESS STEEL	PRECISION	150
	NYLON	STANDARD	100
1.66"	STEEL	STANDARD	125
	STAINLESS STEEL	STANDARD	125
	STAINLESS STEEL	PRECISION	150
	NYLON	STANDARD	100
	NYLON	PRECISION	125
1.81"	STEEL	STANDARD	125
2.125"	STAINLESS STEEL	PRECISION	150
	NYLON	PRECISION	125
3.00"	STAINLESS STEEL	PRECISION	250
	NYLON	PRECISION	200
3.25"	STAINLESS STEEL	PRECISION	250

***NOTES:**

1. FOR TANDEM ROLLER LOAD CAPACITY, MULTIPLY THE "MAX LOAD PER BEARING" BY 2.
2. FOR MAXIMUM ALLOWABLE PANEL WEIGHT, MULTIPLY THE "MAXIMUM LOAD PER BEARING" BY THE TOTAL NUMBER OF BEARINGS SUPPORTING THE DOOR PANEL.
(EXAMPLE: USING 2 TANDEM ROLLERS = 4 BEARINGS)