

SPECIFICATIONS

GENERAL

Sliding Patio Door shall be series #4500, thermally improved as manufactured by Marlin Windows, Inc, and shall conform to AAMA/WDMA/CSA 101/I.S.2/A440-11 & AAMA/WDMA/CSA 101/I.S.2/A440-2017. The sliding patio door shall have a condensation resistance factor of 50.

MATERIALS

All frame and sash members shall be aluminum extrusions of 6063-T5 alloy and temper. Frame and sash members shall have a rigid polyurethane "thermal barrier" as an integral part of the extrusion which eliminates all direct contact between interior and exterior aluminum sections.

FINISH

Standard architectural Class II anodic color conforming to Aluminum Association AA-M12-C22-A34 for dark bronze or AA-M12-C22-A31 for clear anodized. Also available in bronze or white painted finish conforming to AAMA 603.8. (Architectural Class I anodic finishes and other organic coatings available).

CONSTRUCTION

Framing members shall be 4 1/2" in depth. Frame and panel members shall be fabricated to form tight fitting joints. All joinery fastened securely with hardened steel selftapping screws and sealed to prevent moisture and air infiltration. Sill members shall allow drainage of moisture to the exterior, but prevent direct inflow of wind, moisture and dirt. Sill track shall be extruded as an integral part of the sill member.

HARDWARE

Sliding panel shall incorporate adjustable steel ball bearing wheel assemblies at the bottom corners. Rigid vinyl guides shall be located on the top and bottom rails of the sliding panel to assure smooth operation. A pull handle/lock shall be attached to the lock stile. A 5-pin cylinder lock is optional at a slight additional cost. Optional stainless steel track recommended for heavy use.

WEATHERSTRIPPING

Sliding Panel shall have continuous weatherstripping of silicone treated wool pile incorporating a poly proplene fin to insure longer life with beter resilience to wind and moisture infiltration. Weatherstripping shall extend around the entire perimeter of the sliding panel.

GLAZING

Marlin sliding patio door shall be glazed with 1" OA insulated glass. The panels shall be "marine" type glazed with a continuous vinyl channel gasket.

OPTIONAL SCREEN

Sliding screens shall be fabricated from 1 3/8" x 7/16" tubular roll-form aluminum, finsh to match door. Screen cloth to be 18 x 16 figerglass mesh held in aluminum screen frame with a tight-fitting continuous vinyl spline. (Heavy duty extruded screen frames are available - specify).

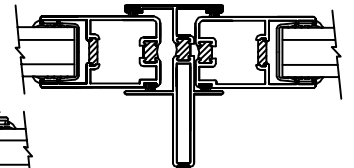
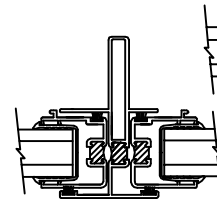
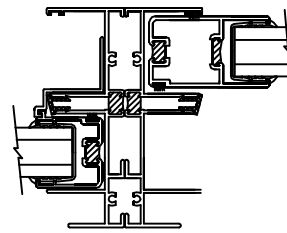
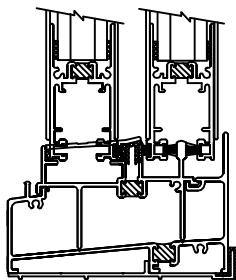
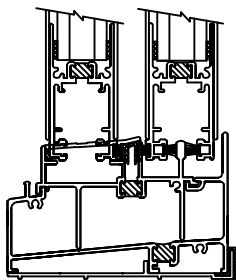
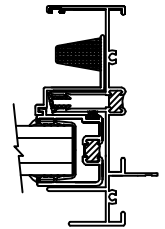
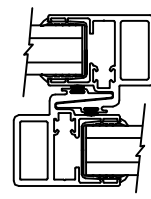
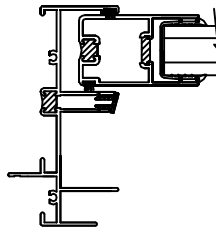
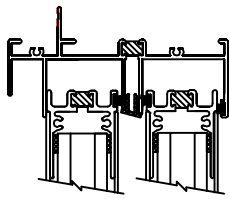
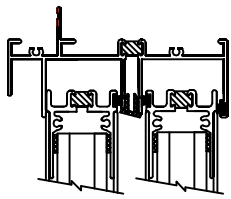
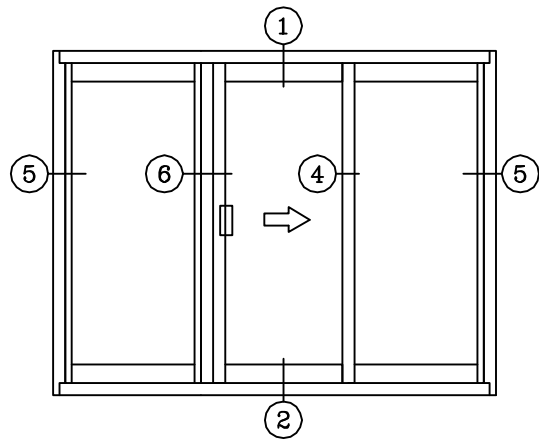
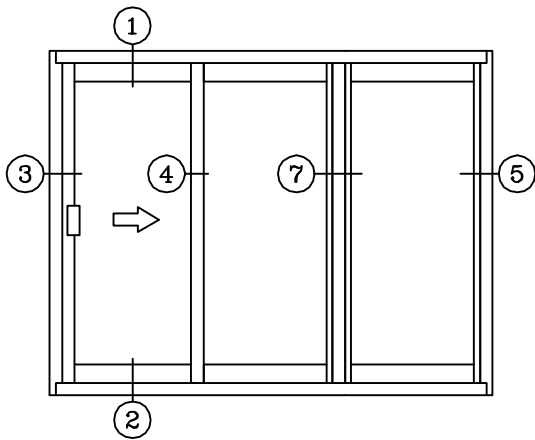
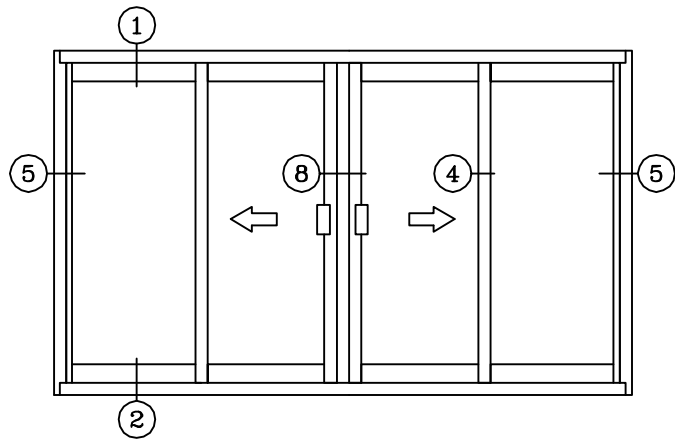
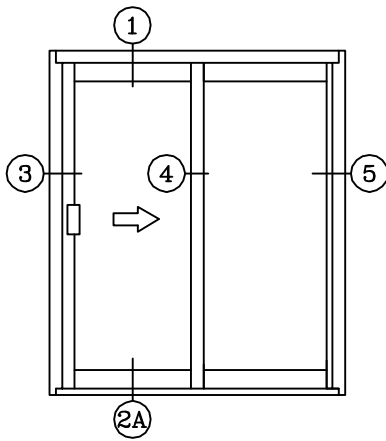
INSTALLATION

Door shall be installed straight, plumb, and level without twisting and securely anchored in place. Openings shall be properly prepared to provide sufficient space at jamba, head and sill to compensate for normal construction movement without affecting intended use.

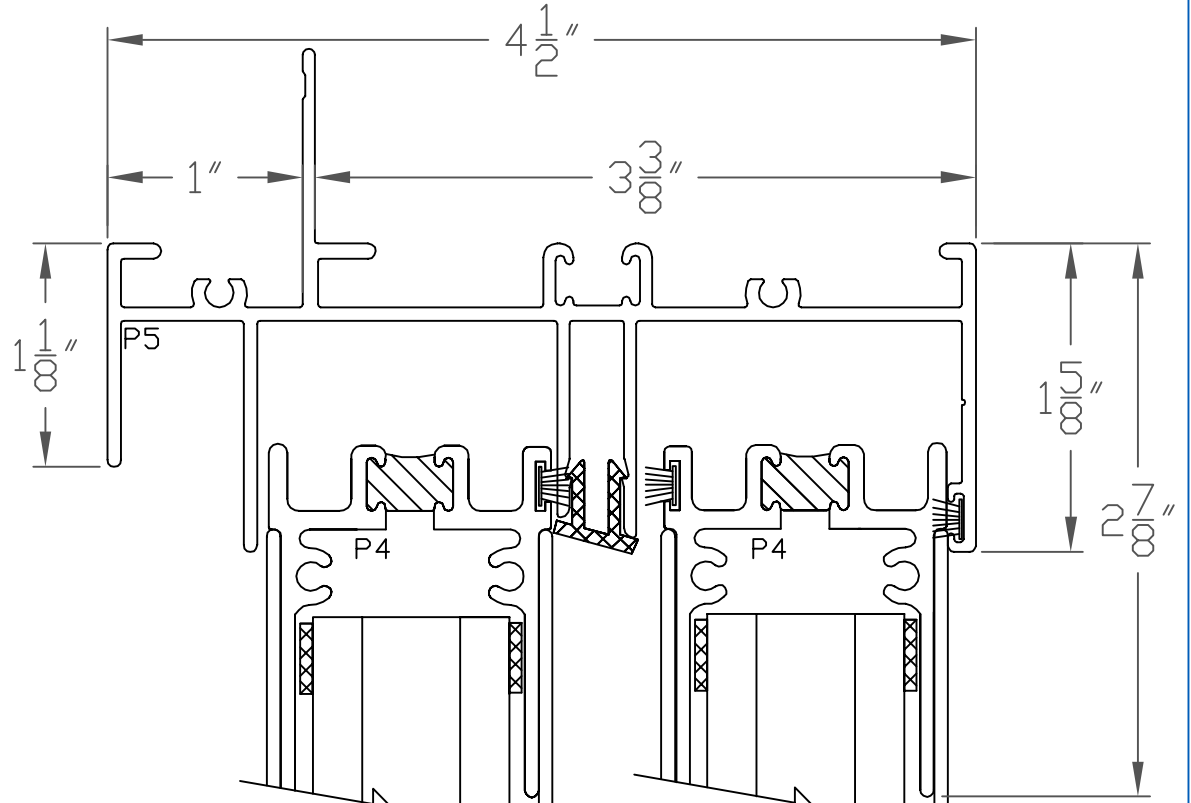
PROTECTION AND CLEANING

The General Contractor shall provide adequate protection of the aluminum and glass surface from damage by grinding compound, lime, acids, cement or other contaminants. The General Contractor shall be responsible for final cleaning.

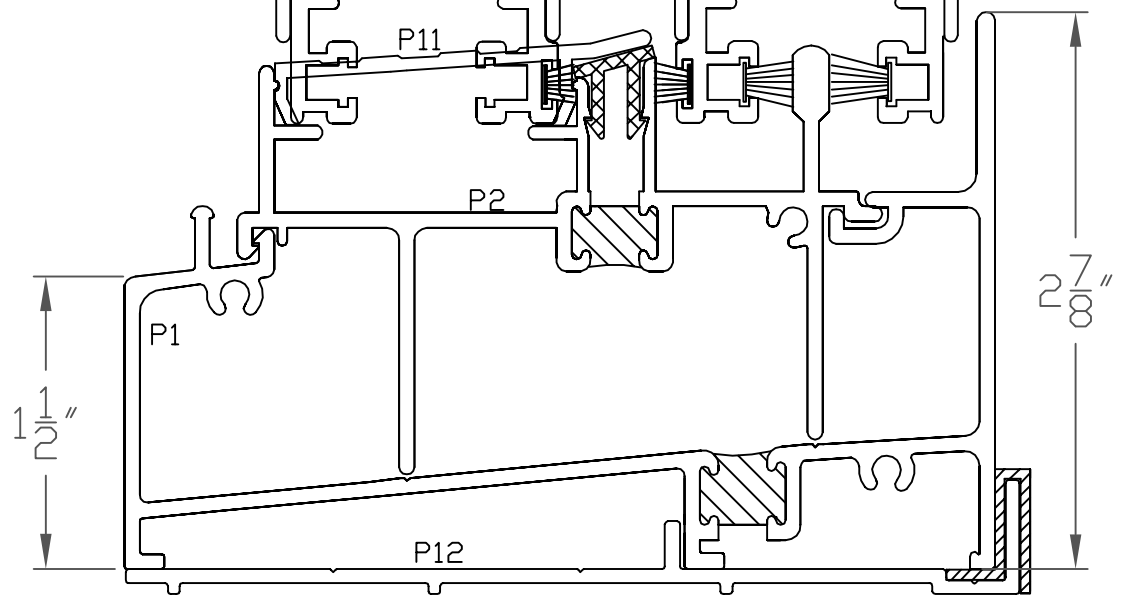
$\frac{1}{4}$ SCALE



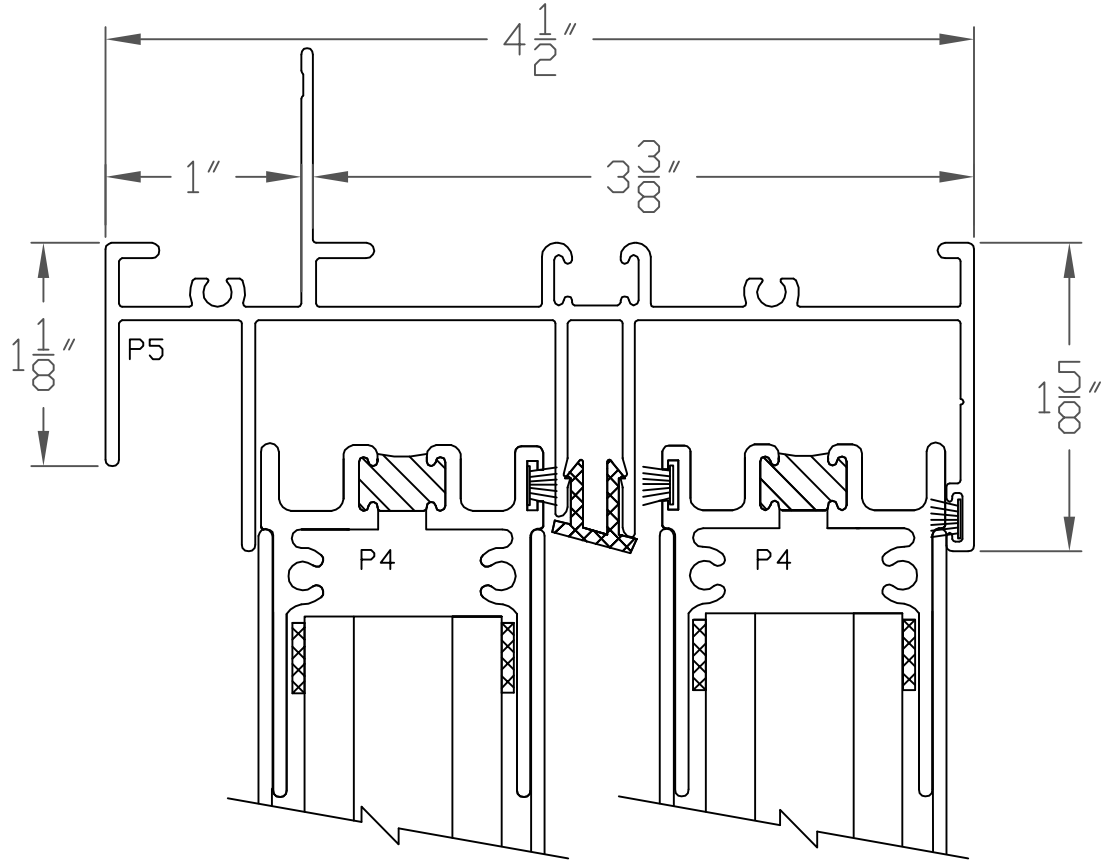
1 HEAD



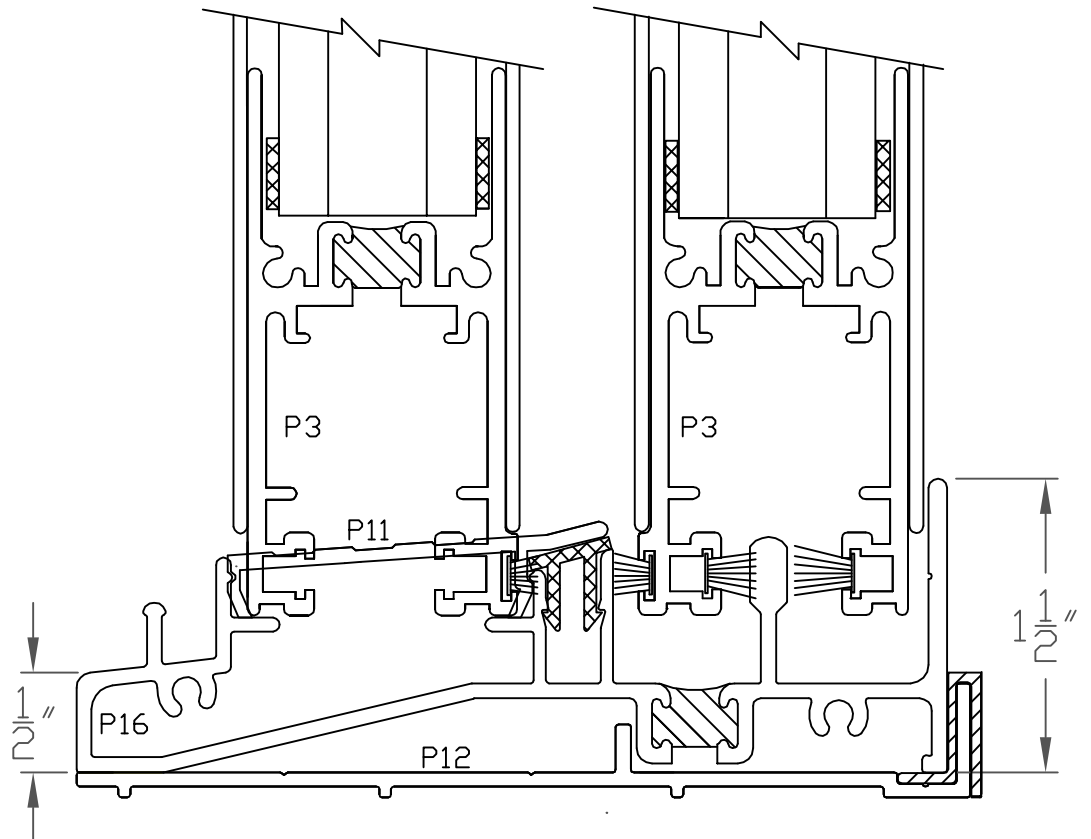
2 SILL

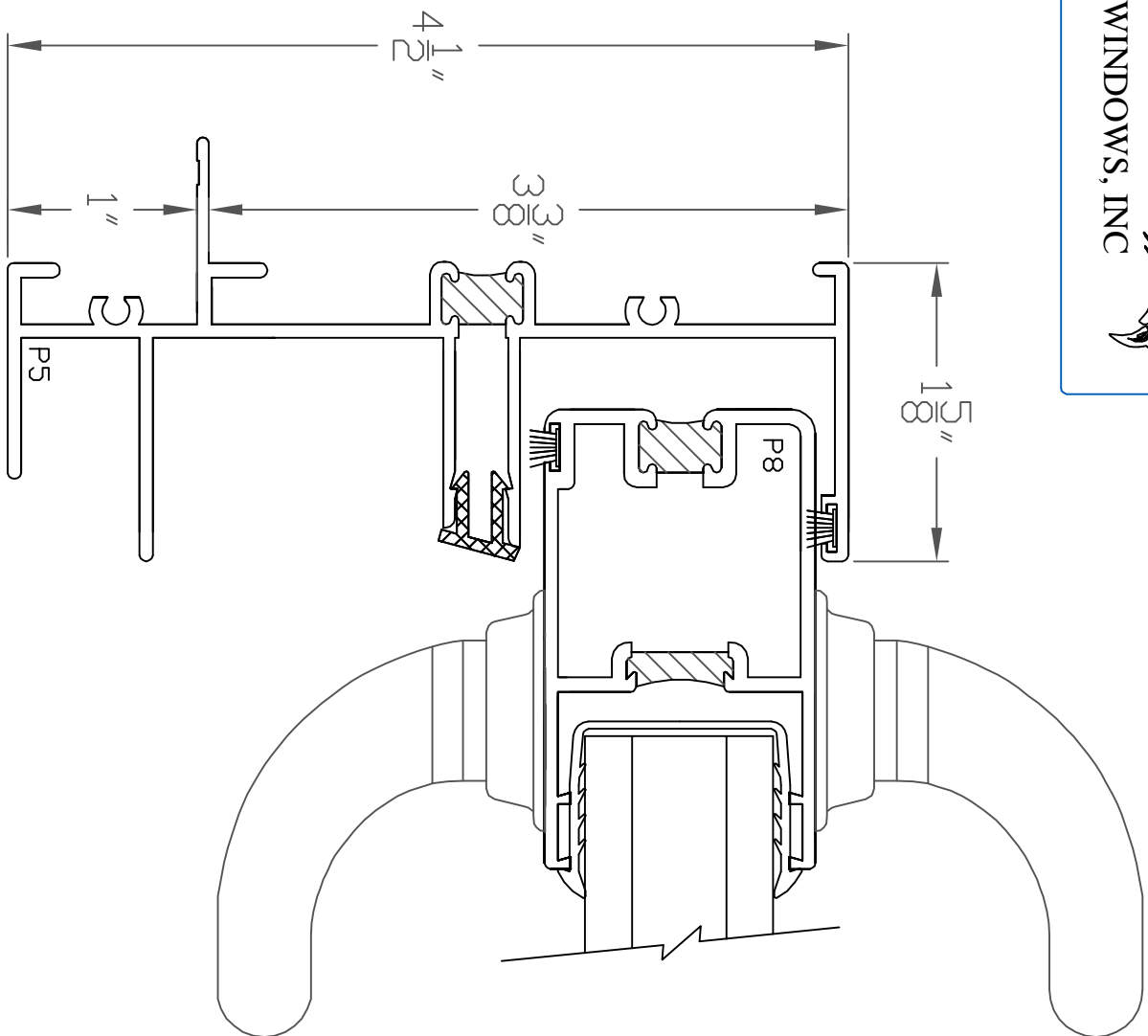


1 HEAD

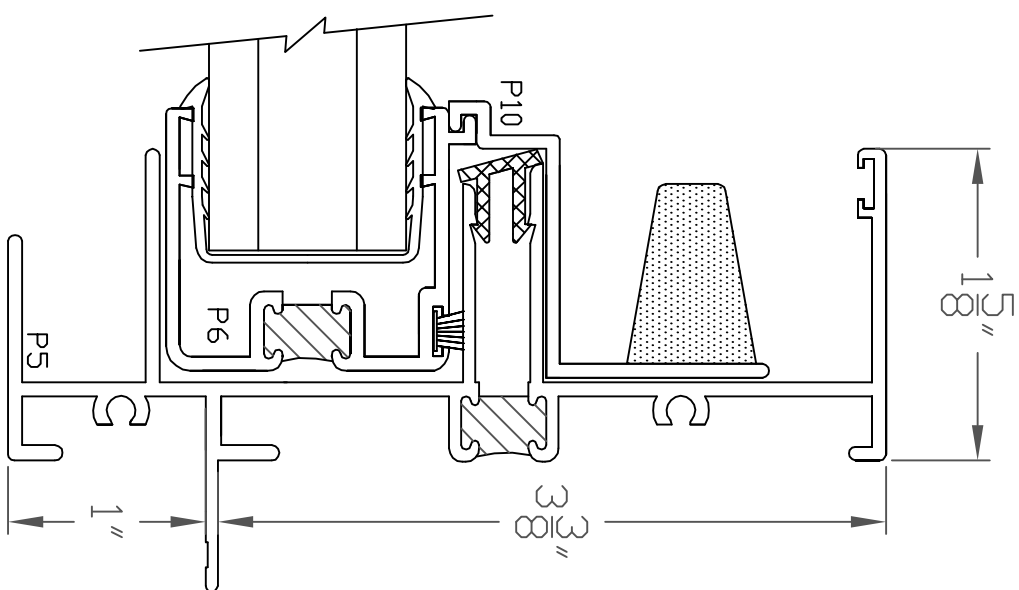


2 SILL

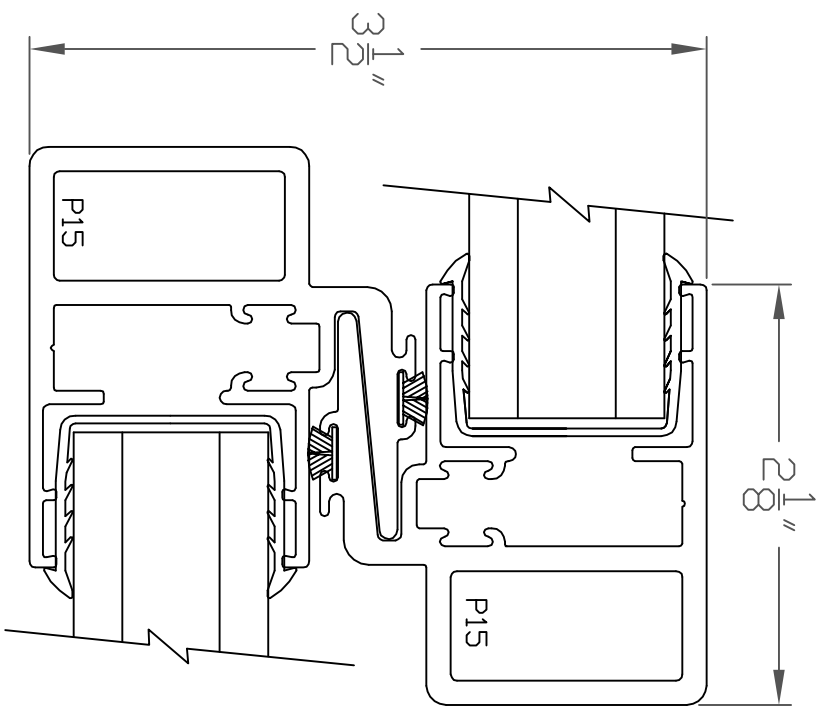




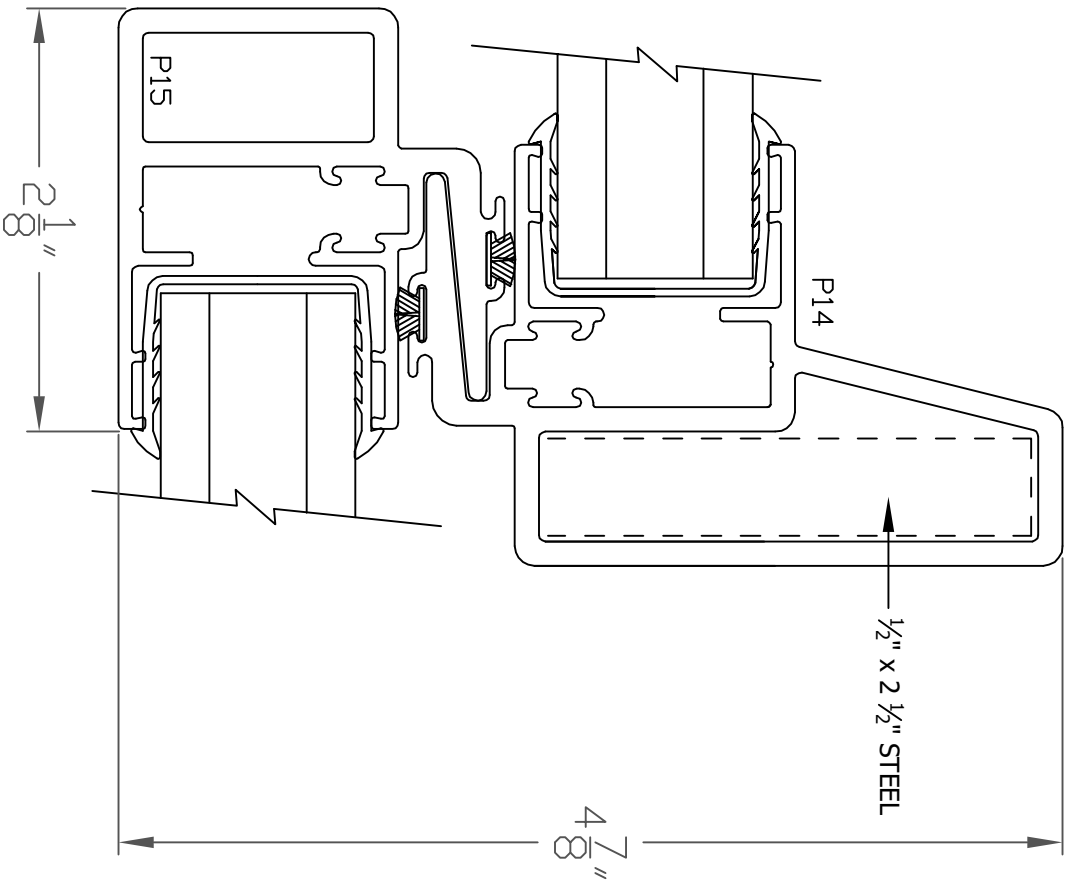
3 JAMB @ LOCK STILE



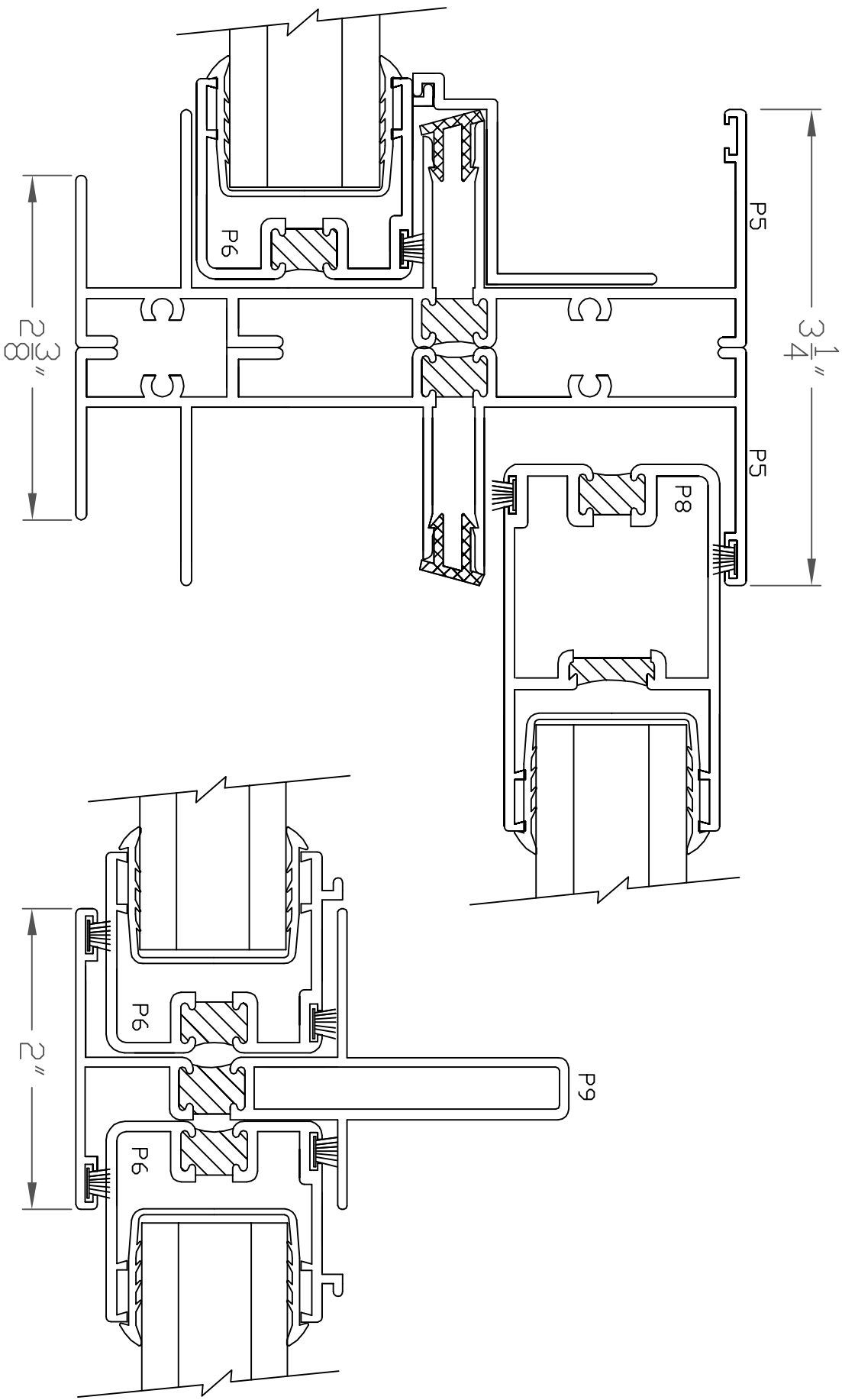
5 JAMB @ FIXED



4 INTERLOCK

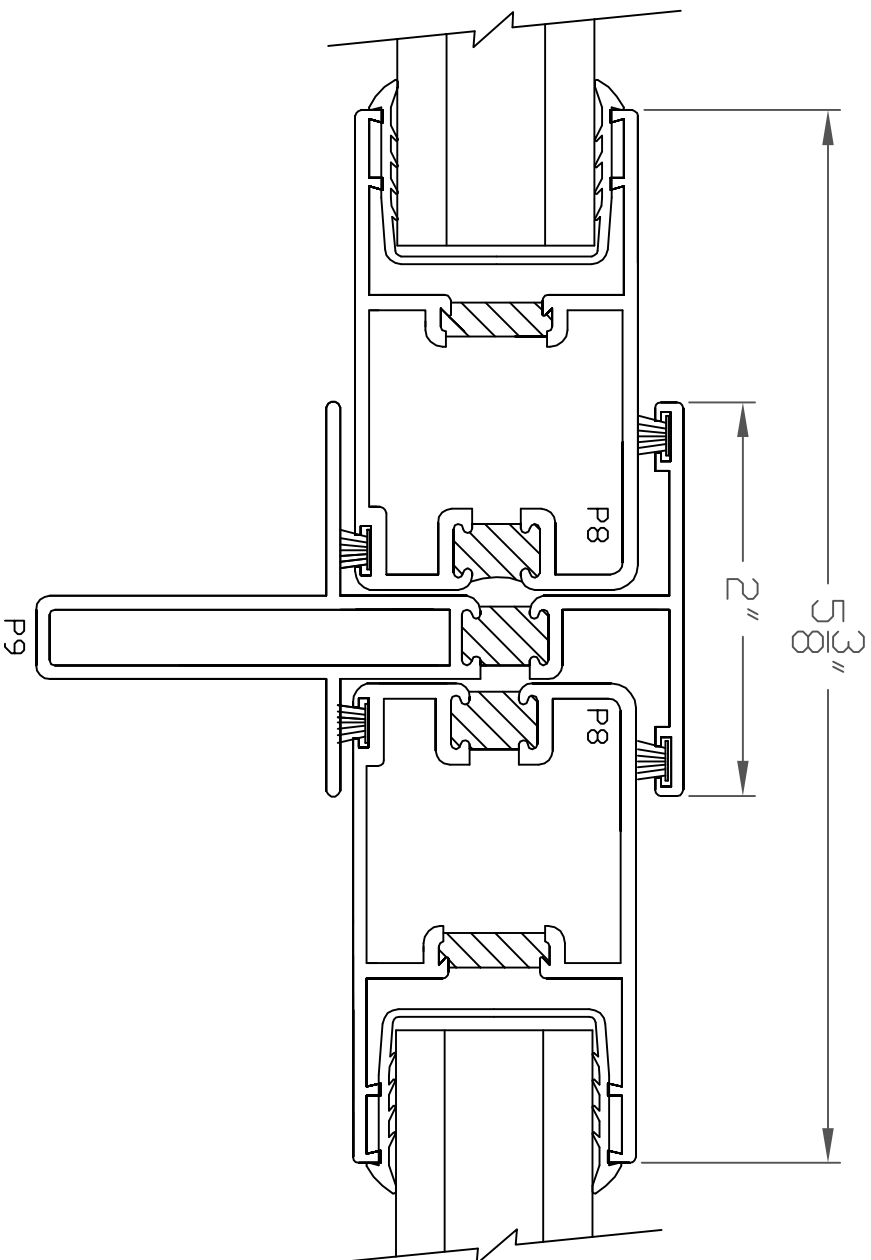


4 INTERLOCK
w/STEEL SUPPORT



6 0/X MULLION

7 0/0 MULLION



8 X/X MULLION