

SPECIFICATIONS

GENERAL

Aluminum framing shall be Marlin Eco-Soleil System as manufactured by Marlin windows. Developed to meet the demands of buildings designed to lower energy usage, as well as providing architectural appeal. This single blade shade has a variety of options, with blade sizes from 6" to 14"

MATERIALS

Extruded from 6063-T5 aluminum with a minimum wall thickness of .125. Wall thickness is increased to .1875 at the bracket attachment location. This sunshade is designed for use with all of Marlin System 60 Curtain Wall

FINISH

Standard architectural Class II anodic color conforming to Aluminum Association AA-M12-C22-A34 for dark bronze or AA-M12-C22-A31 for clear anodized. (Architectural Class I and Class II anodic finishes and organic coatings available - specify).

Custom paint to match virtually any color as selected by design teams

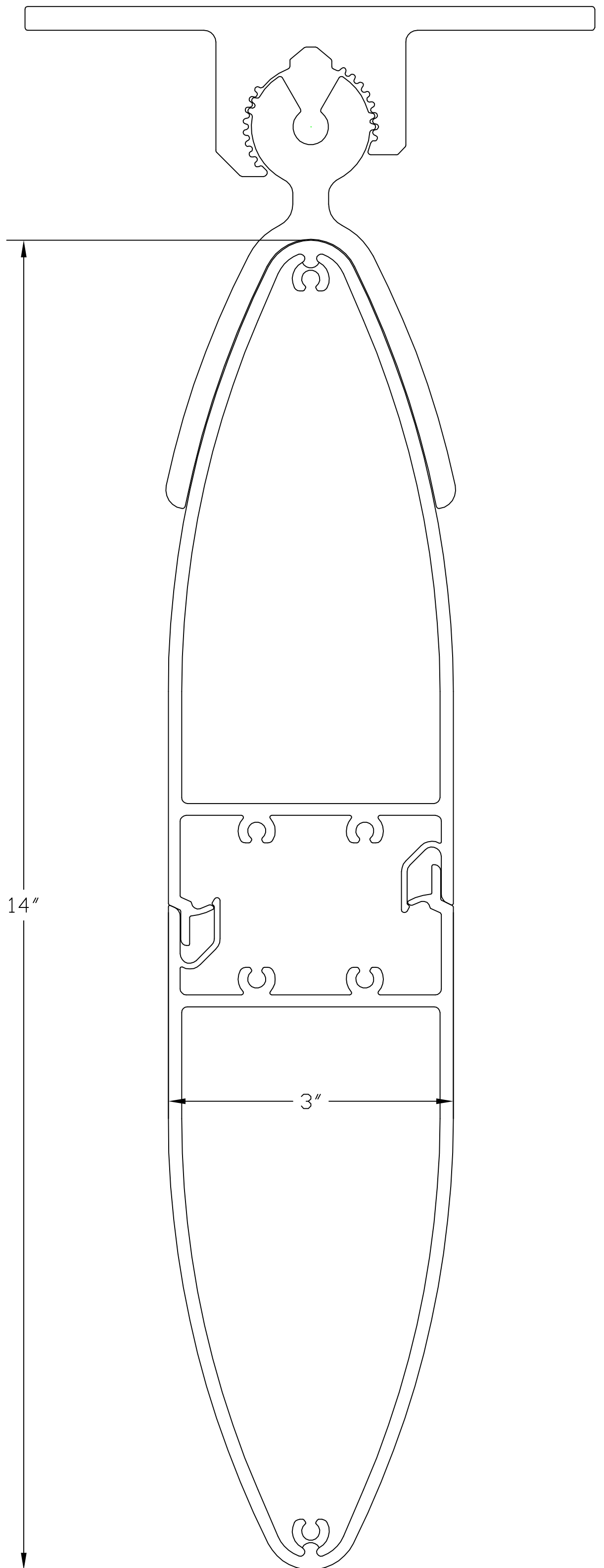
INSTALLATION

Framing shall be installed straight, plumb, and level without twisting and securely anchored in place.

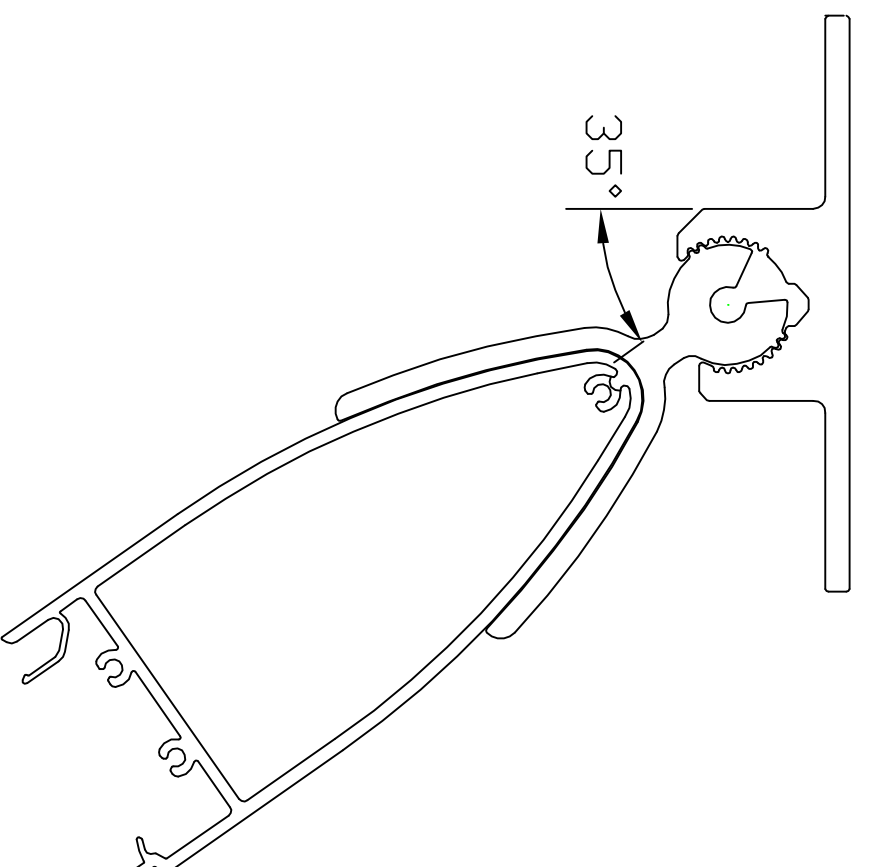
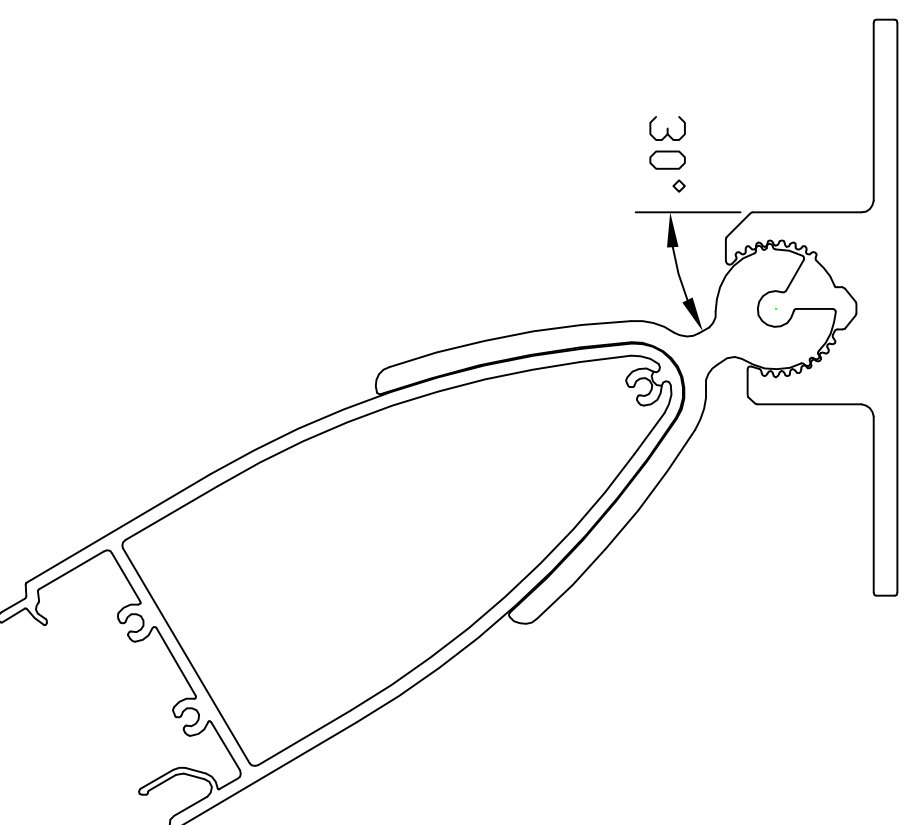
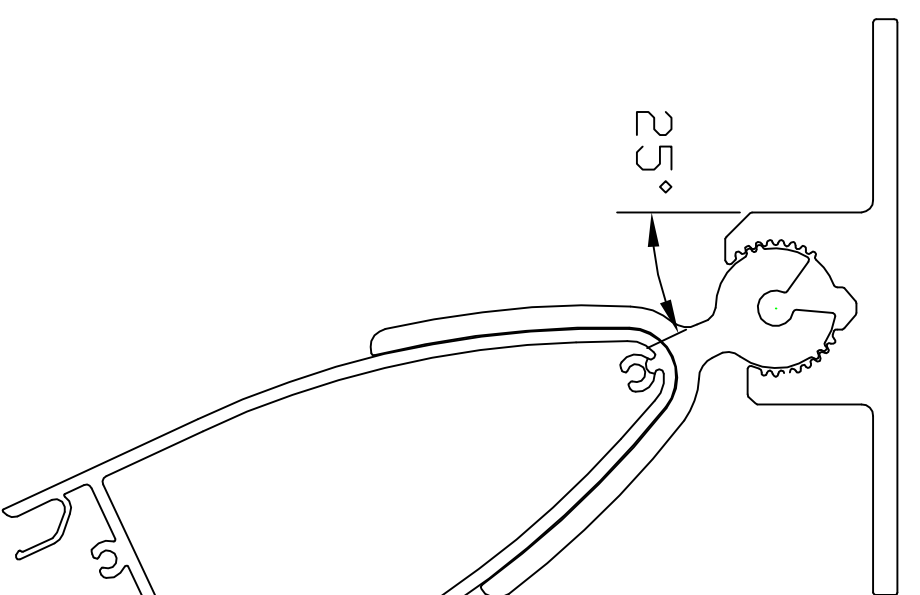
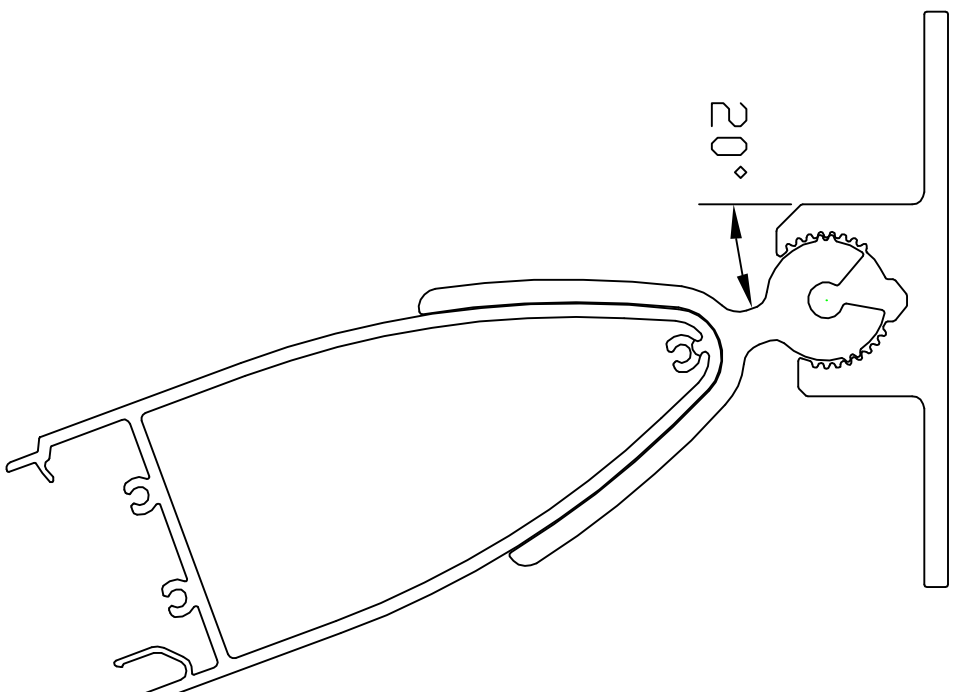
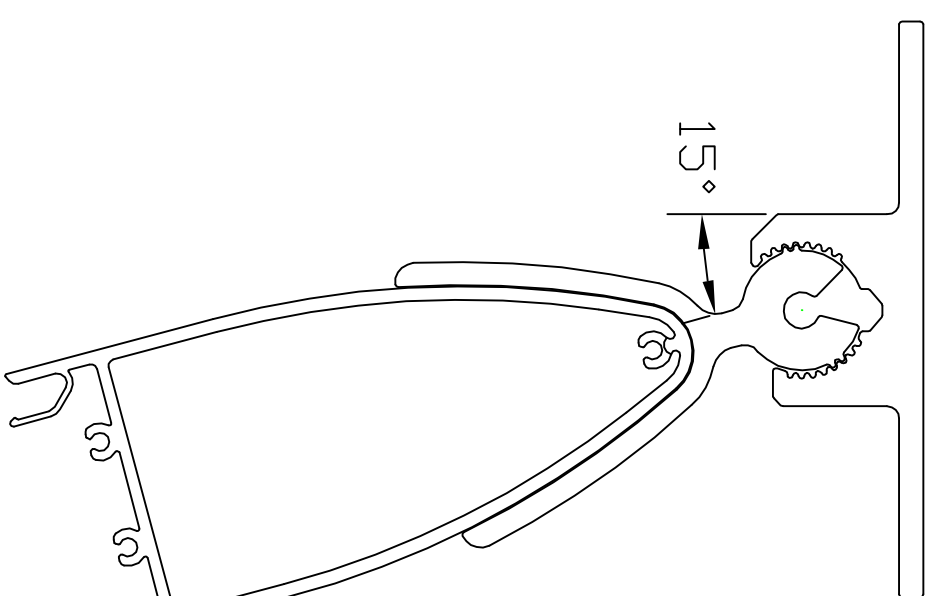
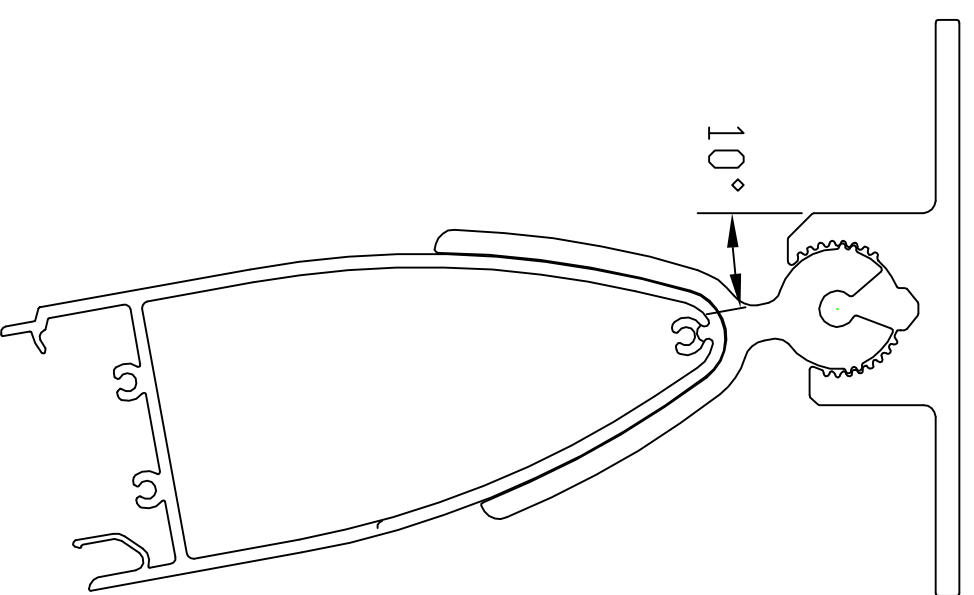
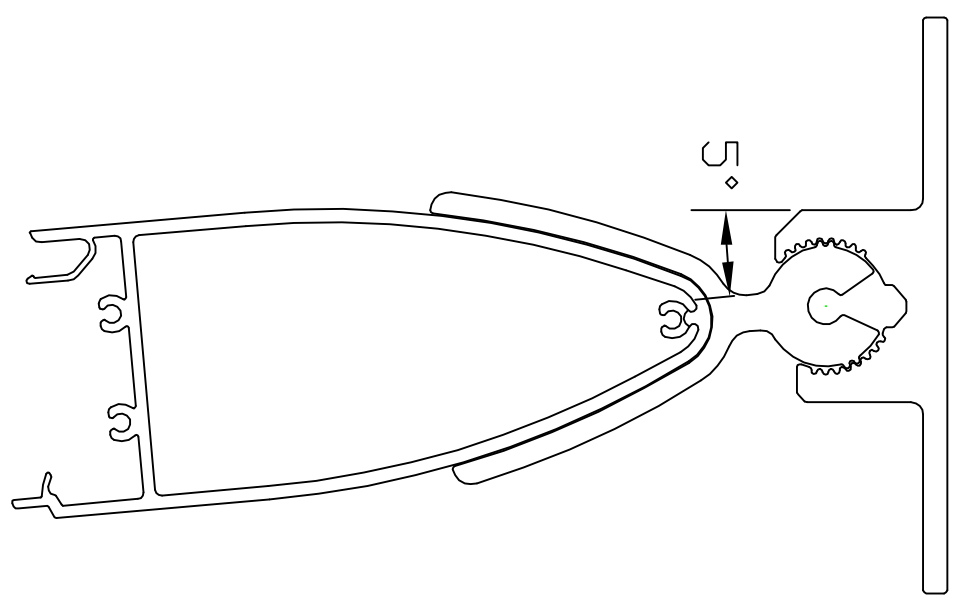
PROTECTION AND CLEANING

The General Contractor shall provide adequate protection of the aluminum and glass surfaces from damage by grinding compound, lime, acids, cement or other contaminants. The General Contractor shall be responsible for final cleaning.

FULL SCALE



1/2 SCALE



1/2 SCALE

