

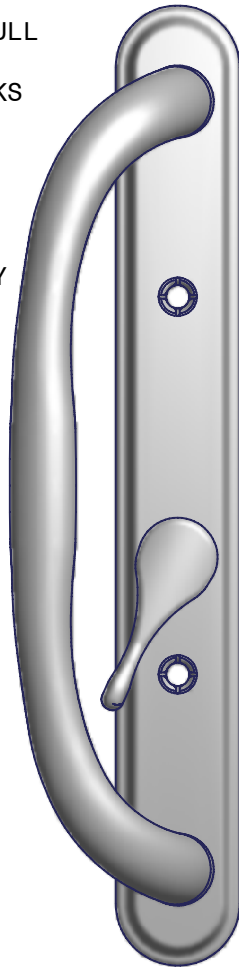
SLIDING DOOR HANDLES

OLYMPUS

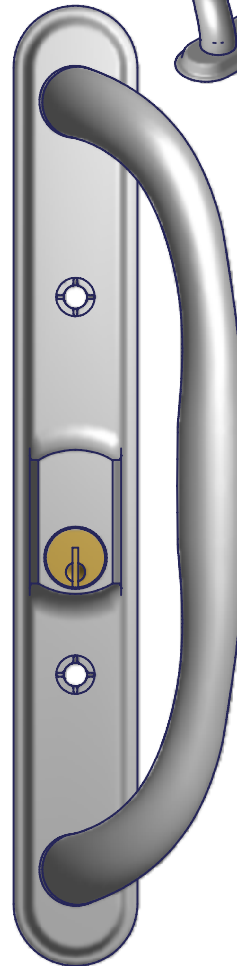
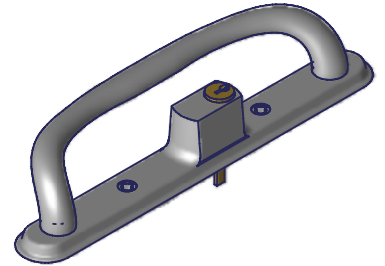
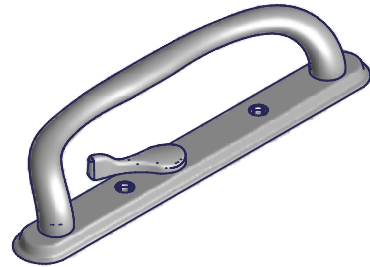
- MIX AND MATCH INTERIOR AND EXTERIOR HANDLE DESIGNS AND FINISHES. OFTEN MATCHED WITH 0350151 EXT. PULL
- USE WITH SINGLE OR MULTI-POINT LOCKS
- DUMMY SET AVAILABLE FOR OXXO DOORS
- TWO PIECE CONSTRUCTION
- NON-HANDED DESIGN REDUCES INVENTORY
- EXTERIOR HANDLE AVAILABLE IN KEYED OR NON-KEYED CAN BE KEYED A LIKE OR DIFFERENT
- FITS 3 15/16" HOLE CENTERS
- COMPATIBLE TO 3 OR 4 HOLE FABRICATION PATTERN
- COMPATIBLE FOR STILE THICKNESSES FROM 1 1/4" - 2 1/4"

- POPULAR FINSHES
- 01 = WET WHITE (ZINC)
- 02 = BLACK (ZINC)
- 03 = ALMOND (ZINC)
- 06 = VISION TAN (ZINC)
- 12 = SHIELD WHITE (ZINC)
- 24 = CRAFTSMAN BRONZE (ZINC)
- 76 = SOLID BRASS (BRASS)
- 77 = BRUSHED CHROME (ZINC)
- 90 = SATIN NICKEL PVD (SS)

* OTHER FINISHES MAY BE AVAILABLE.



INTERIOR ACTIVE



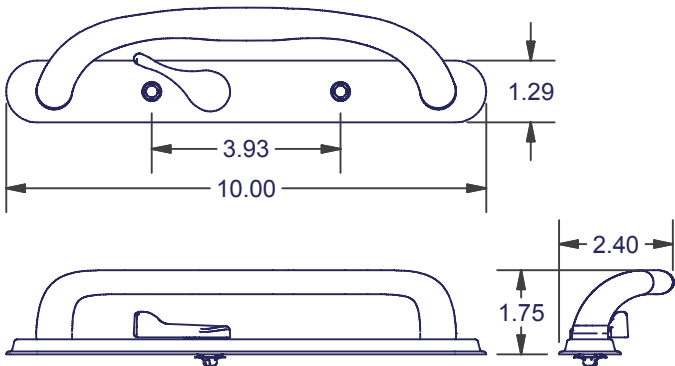
EXTERIOR ACTIVE
#10-24 TAPPING



INTERIOR DUMMY



EXTERIOR DUMMY
#10-24 TAPPING



DIMENSIONS ARE FOR REFERENCE ONLY AND ARE IN INCHES UNLESS OTHERWISE NOTED.
CONTACT OUR ENGINEERING DEPARTMENT WITH SPECIFIC APPLICATION QUESTIONS OR REQUIREMENTS.
NOT ALL COMBINATIONS LISTED ARE CURRENTLY STOCKED, EXTRA LEAD TIME MAY BE REQUIRED.