

## **SPECIFICATIONS**

### **GENERAL**

Aluminum framing shall be Marlin System 40 as manufactured by Marlin windows.

### **MATERIALS**

All supporting members shall be aluminum extrusions of 6063-T5 alloy & temper with a minimum wall thickness of .094". Glazing stops shall have a minimum wall thickness of .062".

### **FINISH**

Standard architectural Class II anodic color conforming to Aluminum Association AA-M12-C22-A34 for dark bronze or AA-M12-C22-A31 for clear anodize. (Architectural Class I and Class II anodic finishes and organic coatings available - specify).

### **CONSTRUCTION**

Aluminum framing shall have a 1 3/4" face width and a depth of 4 1/2". The vertical and horizontal members shall be joined by screw spline or through a shear clip attached to the vertical member.

### **PERFORMANCE**

System 40 shall be tested in accordance with AAMA 501 and meet the requirements of ASTM E 331 for water penetration, and ASTM E 330 for structural performance. Deflection of mullions shall be limited to L/175 when subjected to the project design pressure of \_\_\_\_\_P.S.F. (Architect to specify).

### **GLAZING**

System 40 shall accommodate 3/16" or 1/4" glazing.

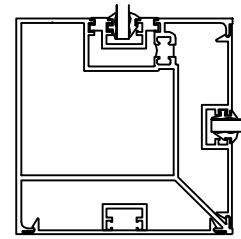
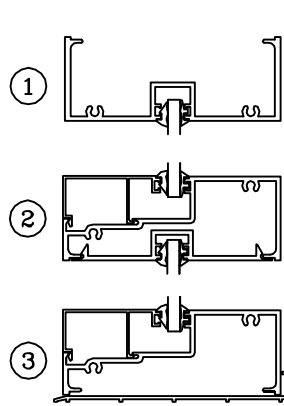
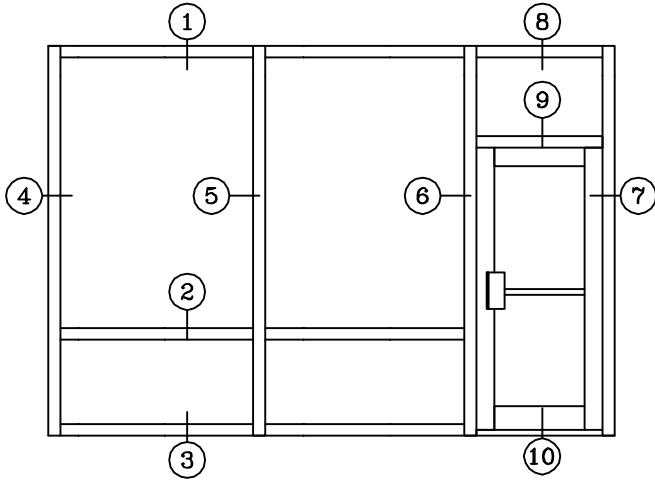
### **INSTALLATION**

Glass and framing shall be installed straight, plumb, and level without twisting and securely anchored in place. All joints between framing and the building exterior shall be sealed to provide a watertight installation.

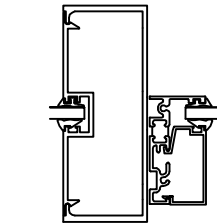
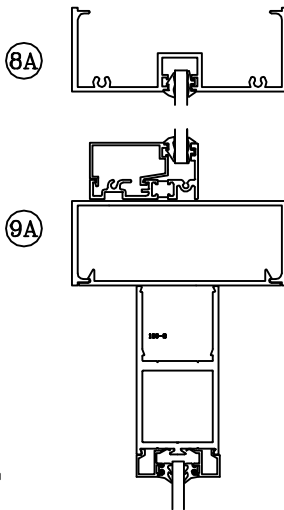
### **PROTECTION AND CLEANING**

The General Contractor shall provide adequate protection of the aluminum and glass surfaces from damage by grinding compound, lime, acids, cement or other contaminants. The General Contractor shall be responsible for final cleaning.

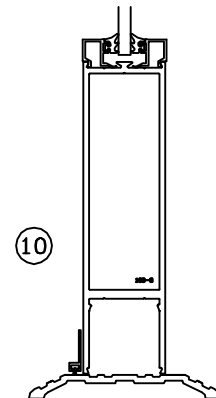
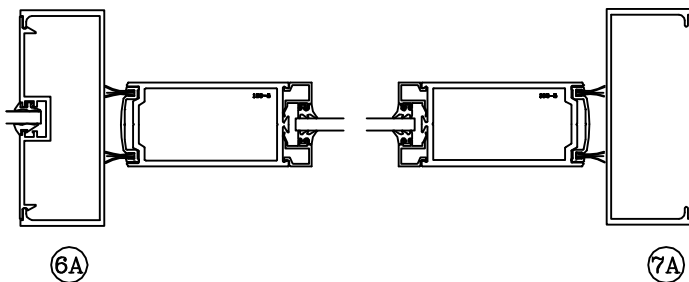
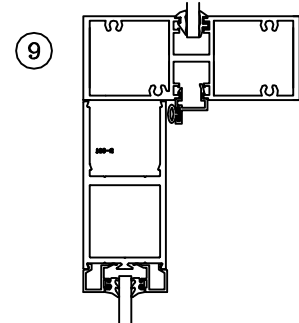
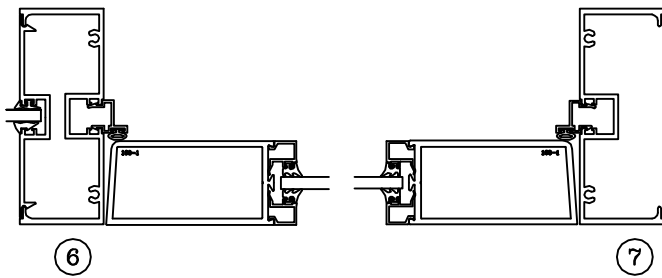
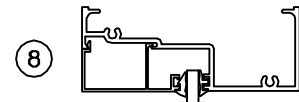
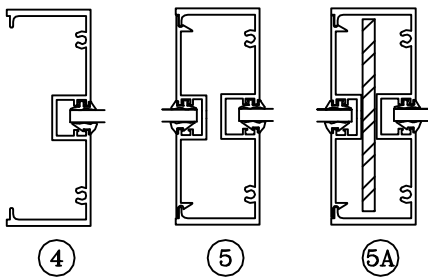
1/4 SCALE



CORNER POST



DOUBLE ACTING  
TRANSOM



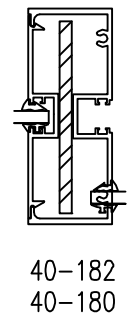
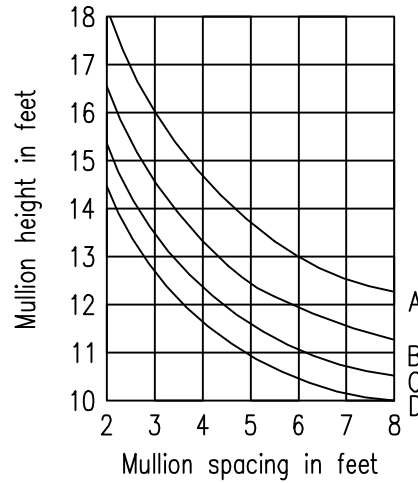
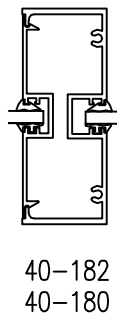
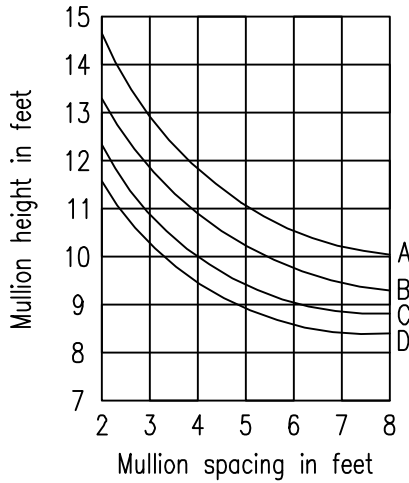
A = 15 PSF  
B = 20 PSF  
C = 25 PSF  
D = 30 PSF

**WIND LOAD CHARTS**

DEFLECTION LIMITED TO L/175

I = 3.160  
S = 1.404

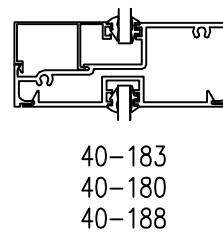
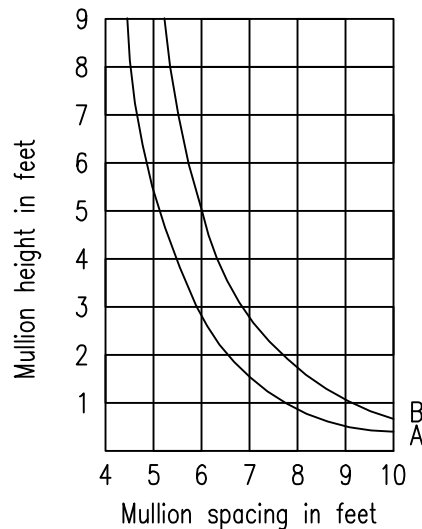
I<sub>A</sub> = 6.068



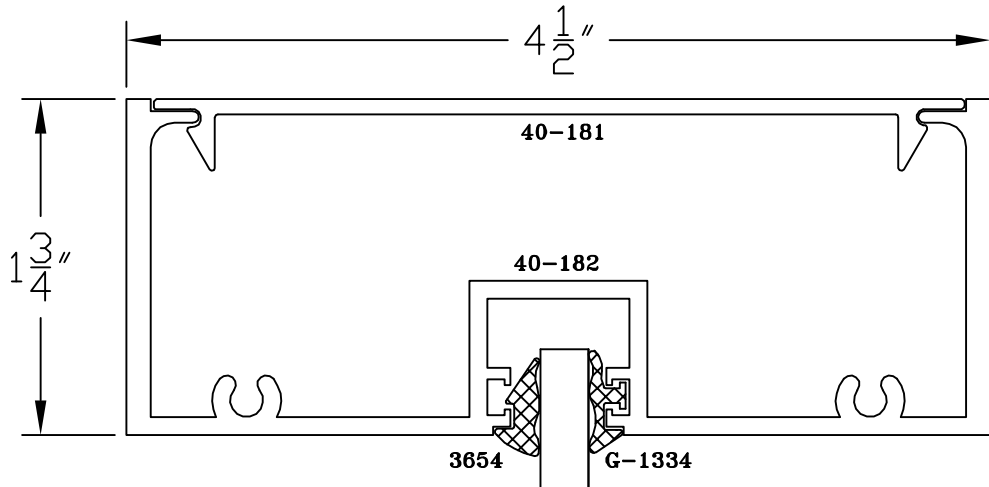
**DEAD LOAD CHART**

1/4 POINT LOADING (A)  
1/8 POINT LOADING (B)

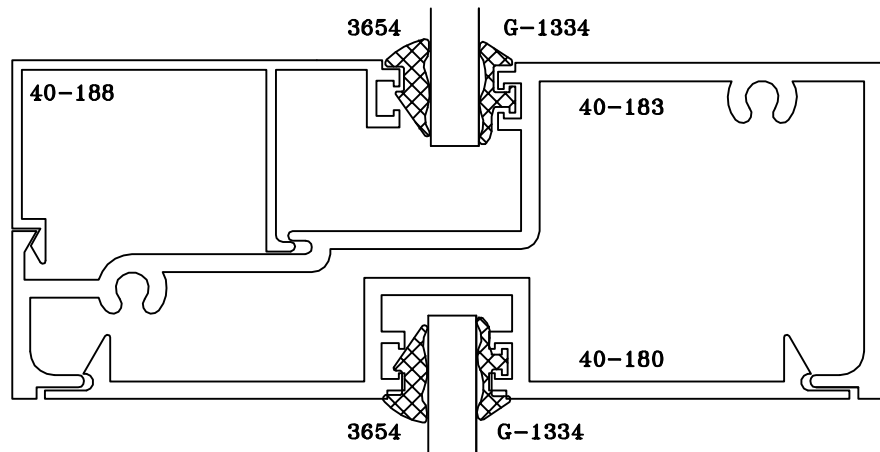
I = .273



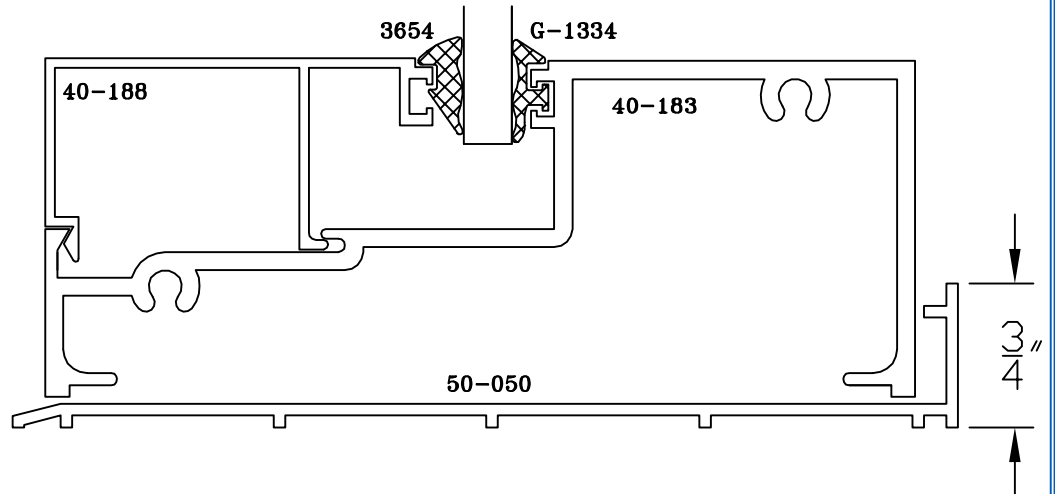
1 HEAD

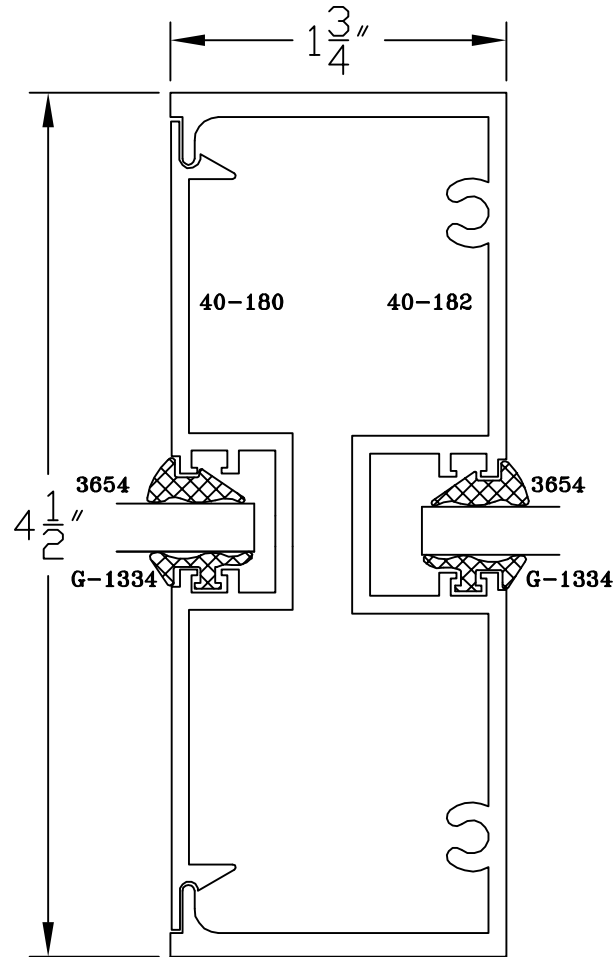


2 HORIZONTAL

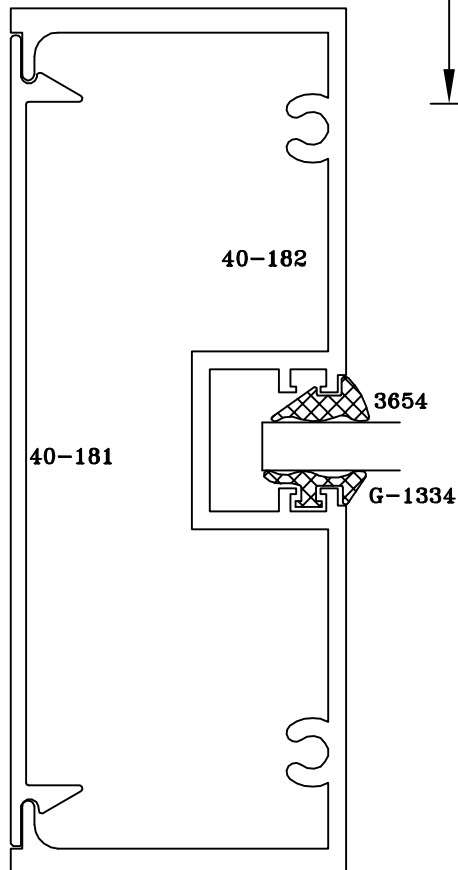


3 SILL

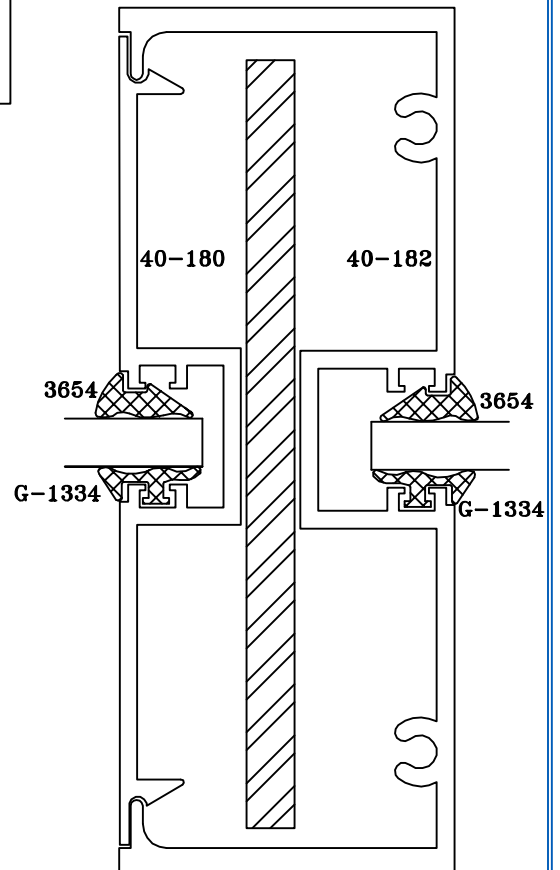




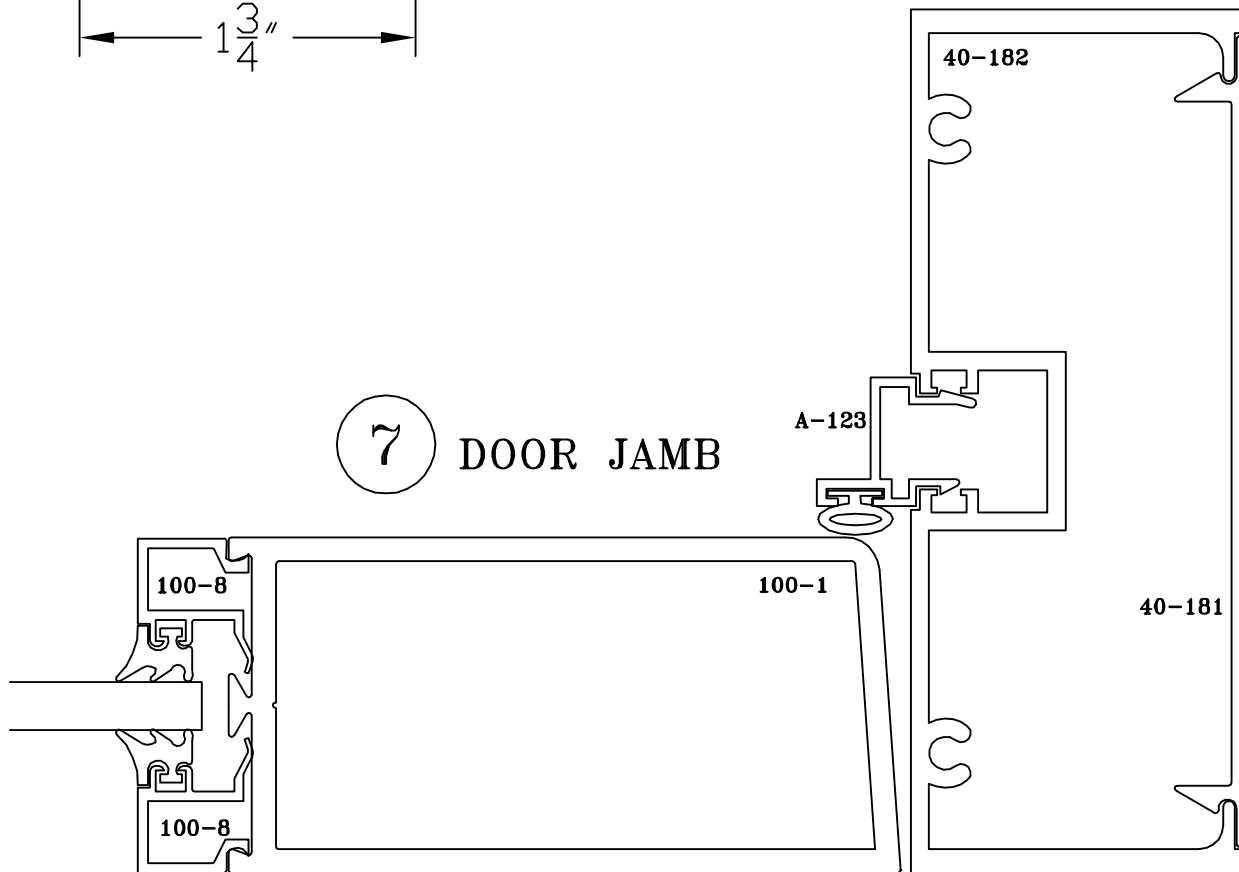
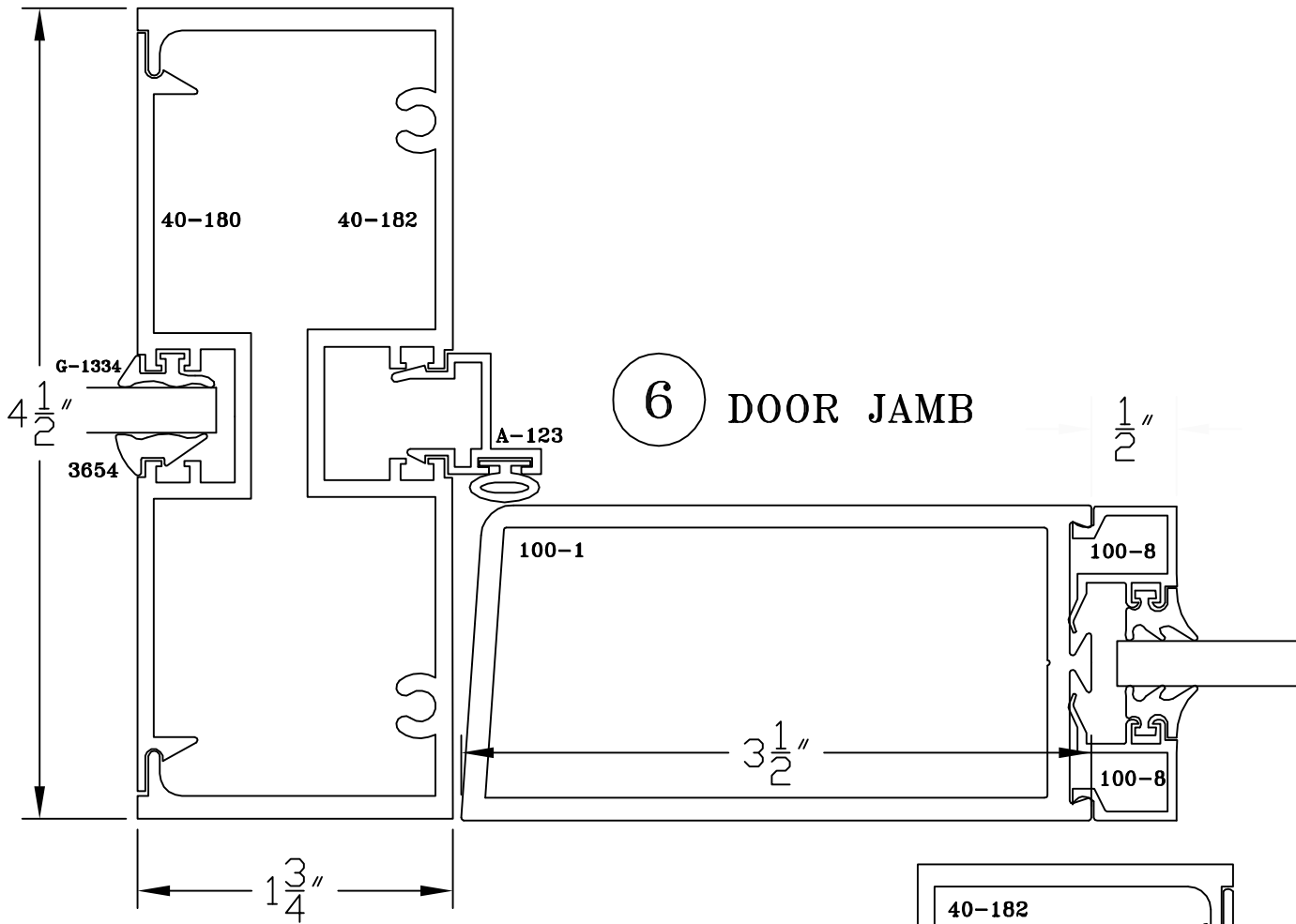
④ JAMB

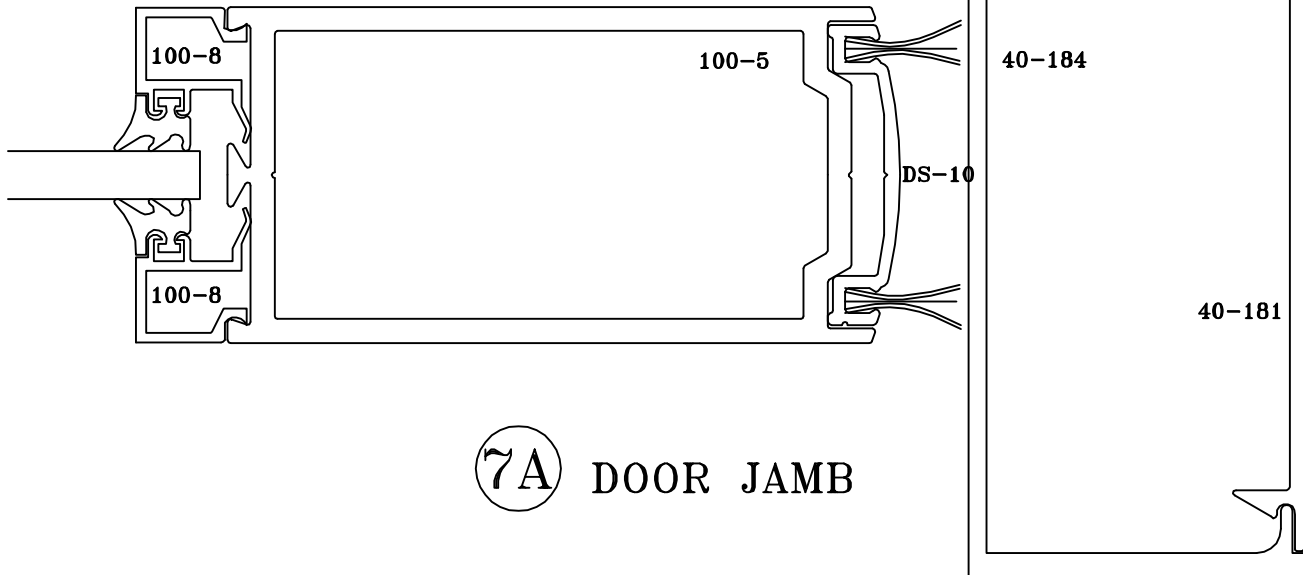
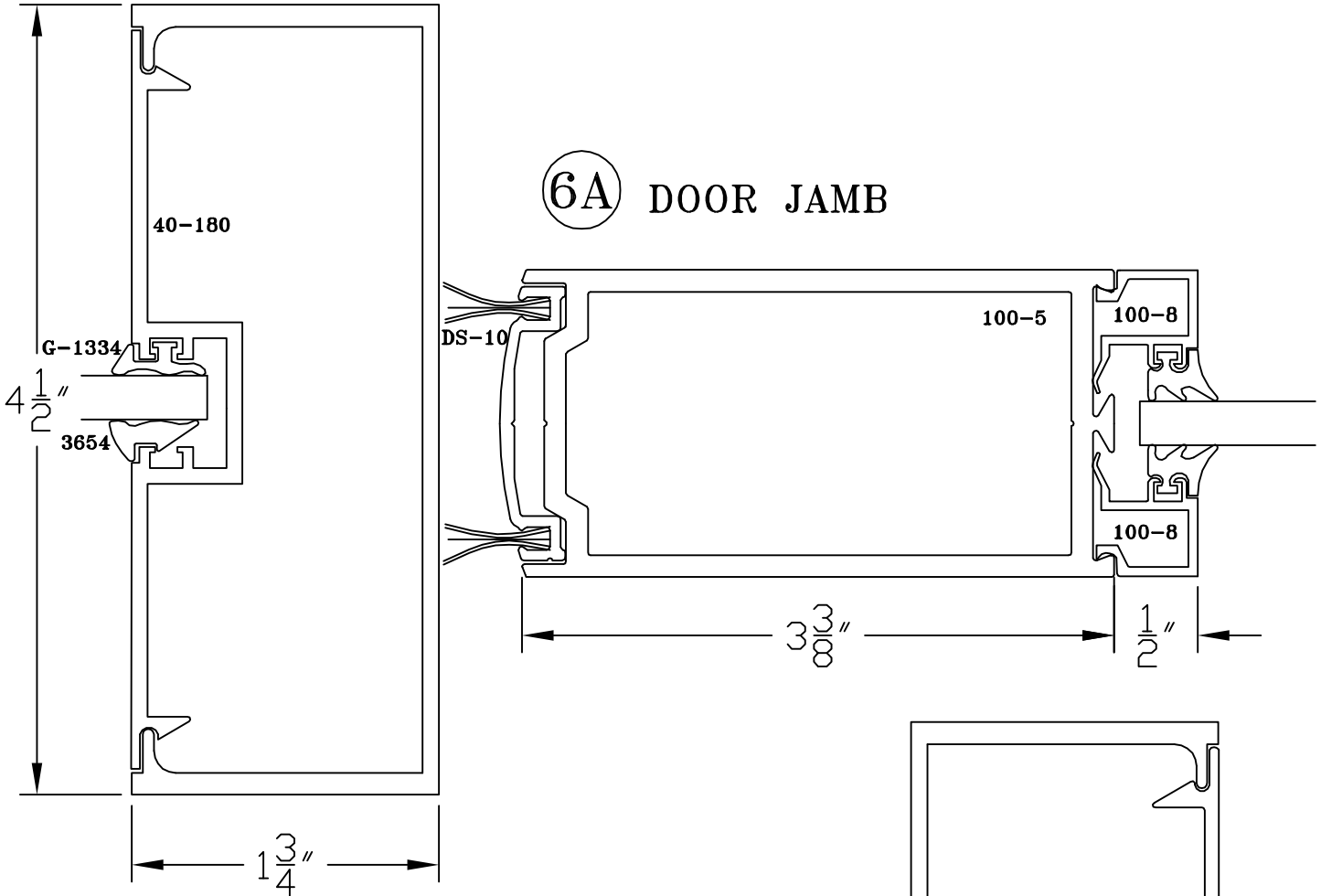


⑤ MULLION

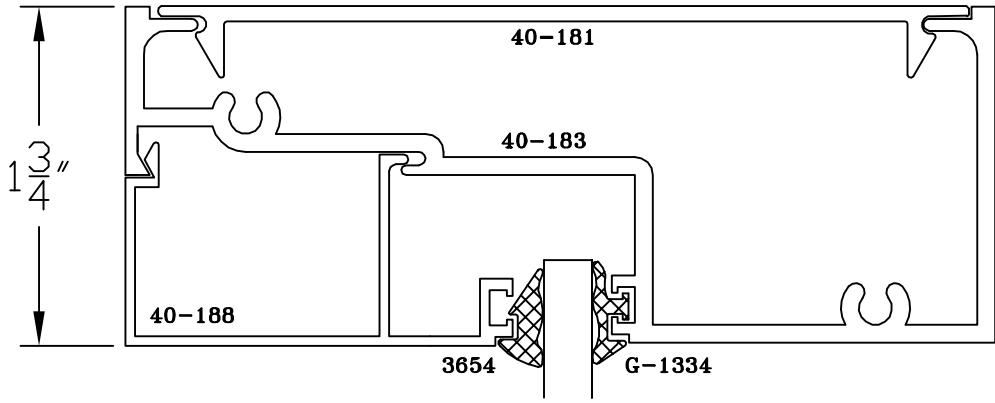


⑤A MULLION

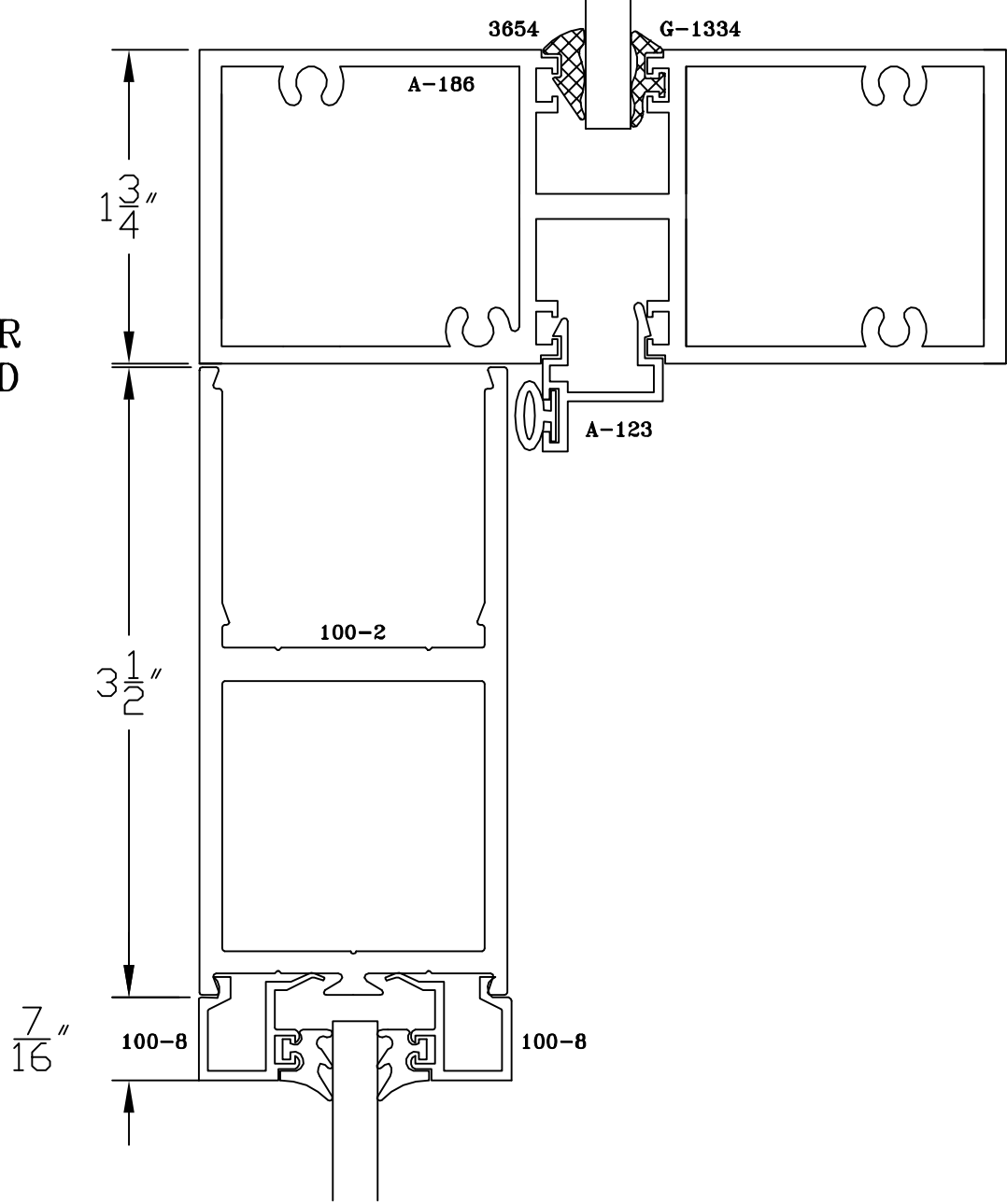




8 HEAD

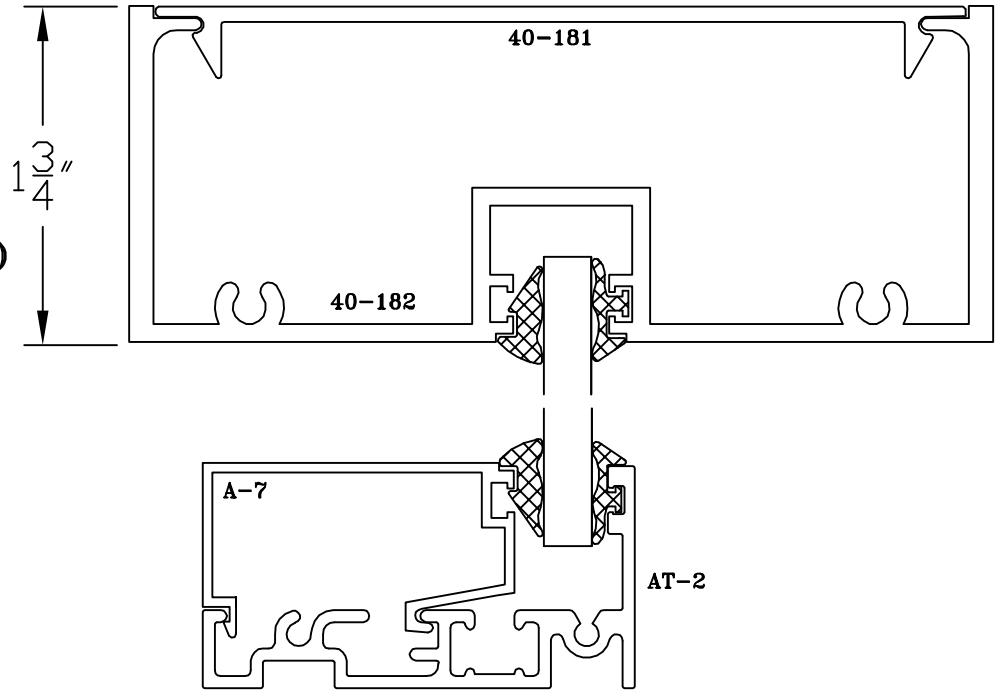


9 DOOR HEAD

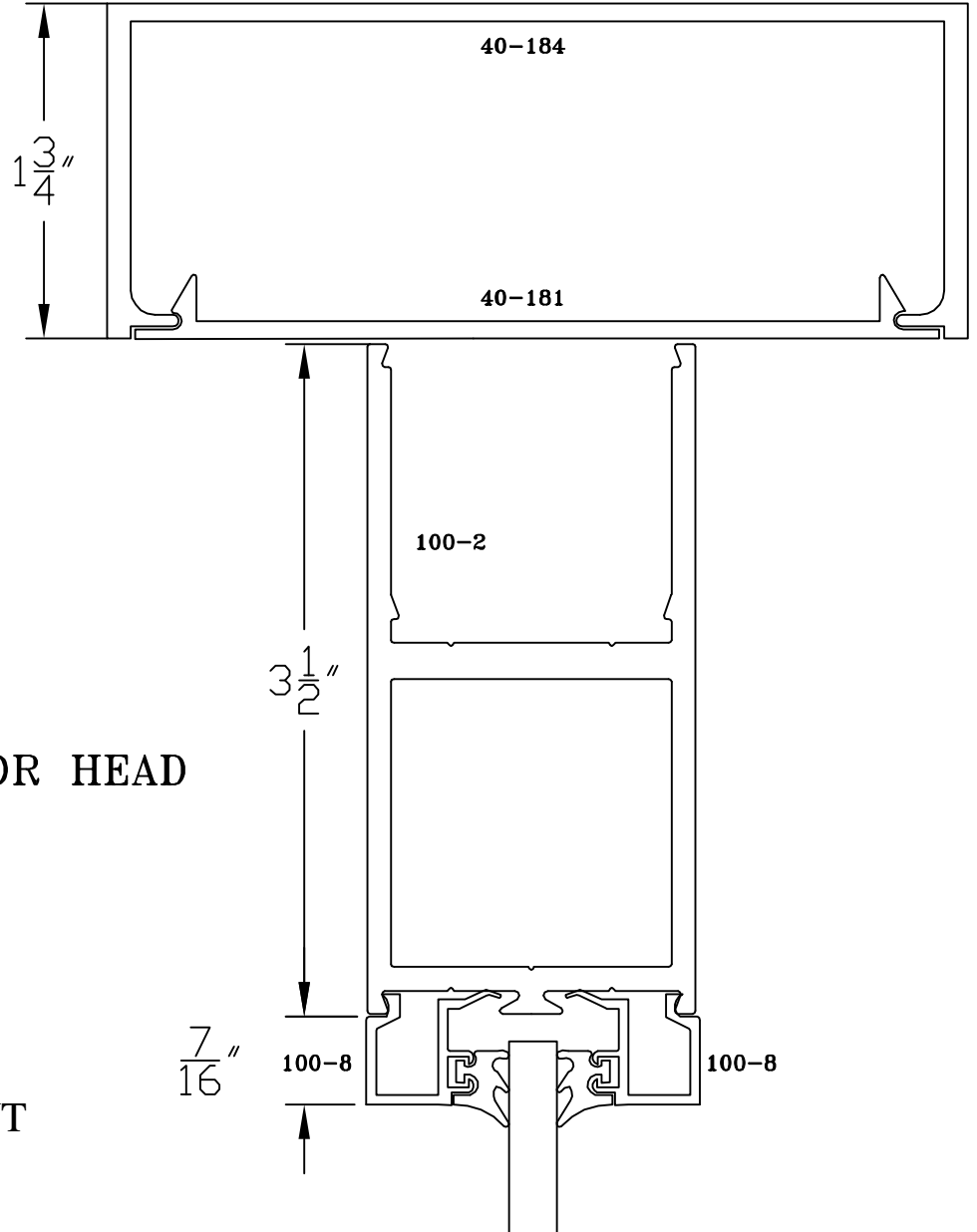




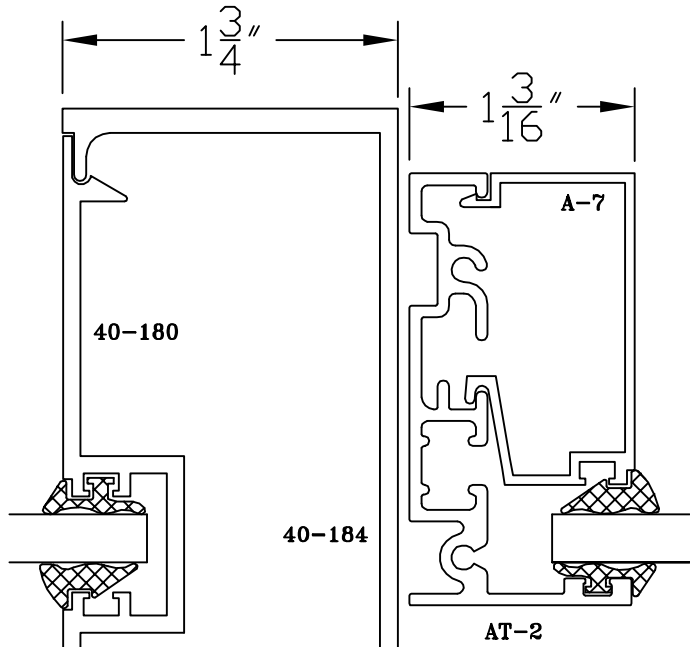
8A HEAD



9A DOOR HEAD



SYSTEM 40 STOREFRONT  
 $1\frac{3}{4}$ " x  $4\frac{1}{2}$ " FRAMING



ⓐ DOUBLE ACTING  
TRANSOM

CORNER POST

