

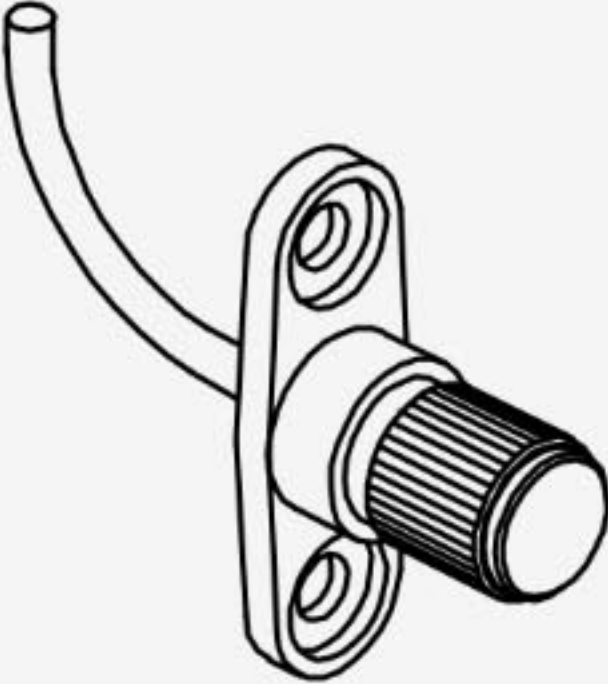
# TILT CONTROL KNOBS

Tilt Control Knobs are for adjusting the tilt of the blinds. For more information please contact us.

## AVAILABLE TILT CONTROL OPTIONS

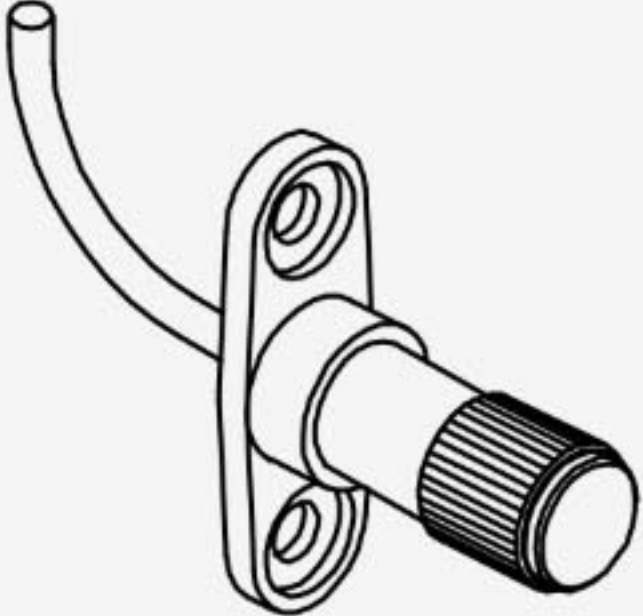
All tilt control options can be used with either our 1" or 5/8" Between Glass Venetian Blind Systems (window design permitting).

Most tilt control assemblies can be made to special lengths upon request. Additional fees may apply.



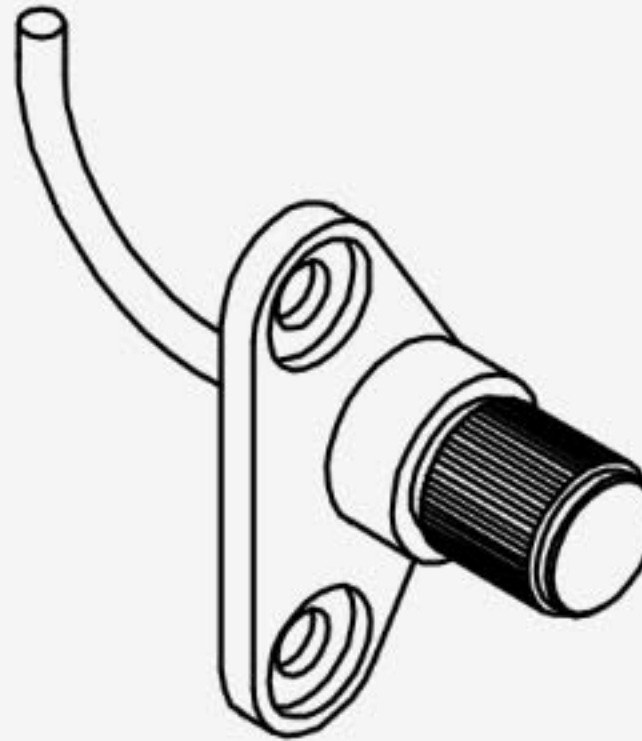
**STRAIGHT**

#5005 WITH SET SCREWS  
#5105 SET SCREWLESS



**EXTENDED STRAIGHT**

#5038 WITH SET SCREWS  
#5138 SET SCREWLESS



**OFFSET**

#5010 WITH SET SCREWS  
#5110 SET SCREWLESS



**REMOVABLE KEY OPERATOR**

#5011 WITH SET SCREWS  
#5111 SET SCREWLESS

OPTIONAL #5048  
3/16" REMOVABLE  
KEY