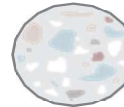


Multipurpose Nylon fixing



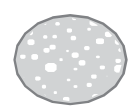
Concrete



Clay Brick



Hollow Block



AAC

Products group



Nylon plug
CSK with
Torx recess
flat CSK
headscrew

Suitable for

- Concrete
- Solid brick
- Hollow brick
- Aerated concrete

To fix

- Window and door frames
- Light structural works
- Wooden substructures
- Handrail



Nylon plug Flange
with Torx recess
hexagonal washer
head special
wood screw



R90
Only Ø10

Examples of applications



Product information

Characteristics

- Extra-long nylon fixing with countersunk or Flange edge suitable for applications on compact and hollow materials. Supplied with different types of screws

Benefits

- Safe and quick fixings
- Special anti-rotation wings that prevents the plug turning in the hole on installation
- The plug's neck avoid the introduction of the plug inside the hole
- Large diameter of screw means high shear loads can be supported safely resulting in fewer fixings.
- Special wings to avoid turning
- No waiting time before loading
- Ideal for fixing of frames and general fastenings

Benefits

- Available in Black and Grey color options
- Fully radial expansion behavior on concrete and solid masonry
- Multiple radial expansion behavior on perforated masonry
- Temperature resistance Temperature resistant from 0°C to + 60°C.
- Fire resistant only Ø10 R90

Installation

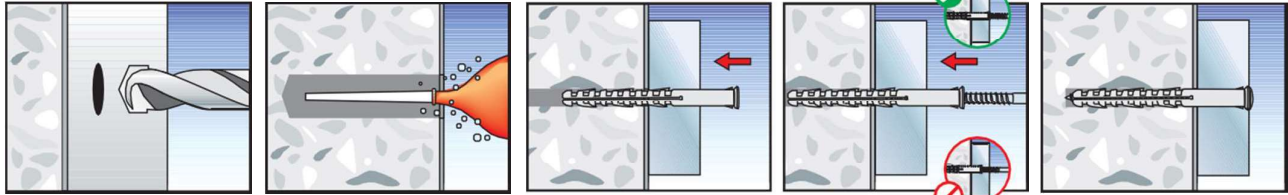
- Through setting anchors

Suggestion for use

- Always consider an appropriate safety factor
- Check load bearing capacity values
- Refer the installation data
- Clean the hole before the installation

Installation sequence

On compact materials



Make a drill hole with a hammer drill

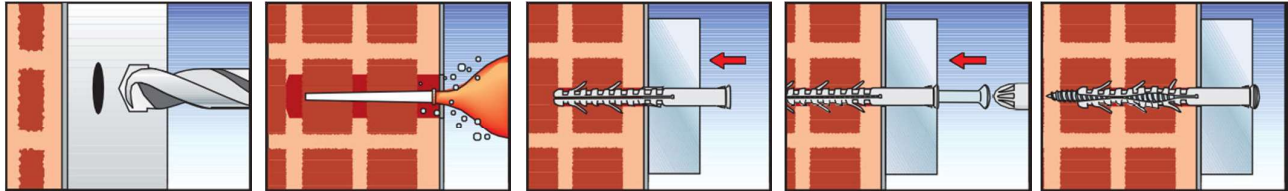
Clean the hole

Place the fixture and then insert the anchor into the hole

Put the anchor by hammering softly on the screw head until the fixture stops the nylon plug

Make sure that the fixture is supported by the anchor (nylon plug and screw)

On hollow materials



Make a drill hole just by rotary drilling

Clean the hole

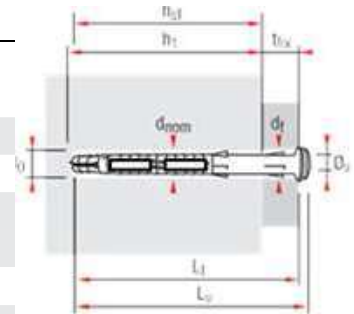
Place the fixture and the anchor into the hole by hand

Put the anchor by hammering softly on the screw head until the fixture stops the nylon plug

Send the screw by screw driver or by hand. Make sure that the fixture is supported by the anchor (nylon plug and screw)

Installation

Description	d _{nom} x L _t mm	Ø _v x L _v mm	h ₁ mm	Drill Ø mm	h _{ef} mm	d _r mm	T
8x80	8x80	6x85	60	8	50	9	TX30
8/100	8x100	6x105	60	8	50	9	TX30
8/120	8x120	6x125	60	8	50	9	TX30
10x80	10x80	7x85	90	10	70	11	TX40
10x100	10x100	7x105	90	10	70	11	TX40
10x120	10x120	7x125	90	10	70	11	TX40
10x140	10x140	7x145	90	10	70	11	TX40



- L_t = Plug length
- h₁ = Min. hole depth
- d₀ = Hole diameter
- T_{fix} = Fixture thickness
- Ø_v = Screw diameter
- L_v = Screw length
- d_r = Diameter of clearance hole in the fixture
- d_{nom} = Plug diameter
- h_{ef} = Embedment depth