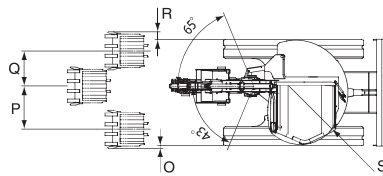
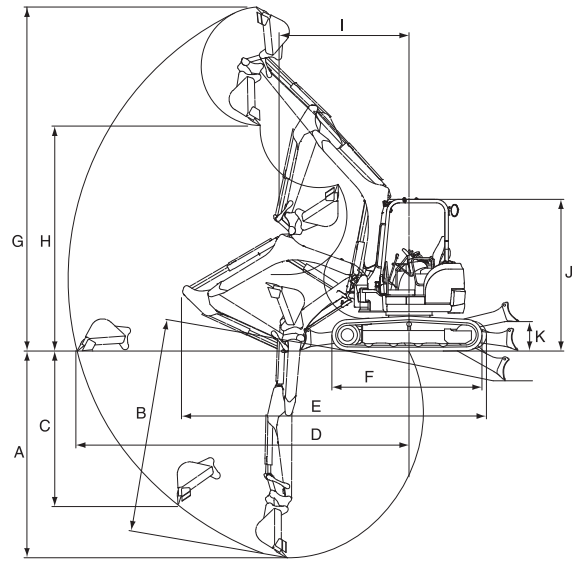
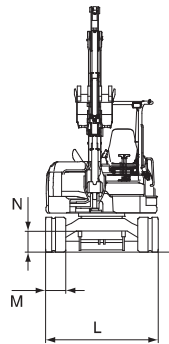


SV40



Dimensions - SV40

A 11'4" (3,440)	K 18" (460)
B 11'10" (3,610)	L 5'8" (1,740)
C 8'6" (2,610)	M 14" (350)
D 18" (5,500)	N 13.5" (345)
E 15'9.5" (4,810)	O 2.5" (65)
F 7'3" (2,230)	P 2'1" (635)
G 17'6" (5,350)	Q 23" (588)
H 11'11" (3,641)	R .5" (14)
I 7'6" (2,280)	S 3'2" (990)
J 8'2" (2,540)	



Specifications

Model			SV40	
Type			Canopy	Cabin
Operating Weight	Rubber Track	lbs (t)	9,206 (4.18)	9,515 (4.32)
	Steel Track	lbs (t)	9,493 (4.31)	9,801 (4.45)
Engine	Type	-	Water-cooled 4-cylinder diesel	
	Model	-	YANMAR 4TNV88C-PBV1	
	Output	HP (kW)/rpm	39.0 / 2,400 (29.1 / 2,400)	
Performance	Max Digging Force, Bucket / Arm	lbs (kN)	7,209 (32.08)* / 4,211 (18.73)	
	Traveling Speed, High / Low	MPH (km / h)	2.9 / 1.5 (4.6 / 2.4)	
	Swing Speed	RPM	10	
	Boom Swing Angle, (L / R)	degrees	43° / 65°	
Ground Contact Pressure	Rubber Track	PSI (kPa)	4.5 (31)	4.64 (33)
	Steel Track	PSI (kPa)	4.63 (31.9)	4.79 (33)
Hydraulic System	Pump Capacity	GPM (L / min)	11.2 + 11.2 + 9.7 + 2.8 (42.5 + 42.5 + 37 + 10.8)	
	Main Relief Set Pressure	PSI (MPa)	3,553 x 2 + 3,133 + 566 (24.5 x 2 + 21.6 + 3.9)	
Blade Dimensions	Width x Height	ft-in (mm)	68" x 15.2" (1,740 x 385)	
Fuel tank capacity		Gals (L)	14.8 (55)	

* with quick coupler

Standard Equipment

- Blade
- Boom Swing
- Rubber Tracks
- Hydraulic Quick Coupler*
- 2-way Pattern Control
- Diverter Valve
- Cylinder Rod Guards (boom, arm, bucket, blade)
- ROPS / FOPS Cabin or Canopy
- Windshield Washer (cabin spec)
- Defroster (cabin spec)
- Joystick Pilot Controls
- Arm Rests (adjustable)
- Suspension and Reclining Seat
- Seat Belt
- Traveling Levers and Pedals
- Traveling Alarm
- Built-in Type Boom Light
- Exterior Canopy or Cabin Work Light
- Operation Manual

*Also available without Quick Coupler.

Please note that the standard equipment may vary from this list. Consult your YANMAR dealer for confirmation.

Hydraulic PTO

Model	SV40			
	Output	PSI (MPa)	GPM (L / min)	
			2,200RPM	1,200RPM
Combined Flow, Double Actions	3,553 (24.5)	PTO1 19.1 (72.2) PTO2 10.2 (38.8)	PTO1 11.4 (43.3)	

Lifting Capacity

LIFT POINT HEIGHT in (mm)	(R) LIFT RADIUS in (mm)											
	RATED LIFT CAPACITY OVER END BLADE DOWN				RATED LIFT CAPACITY OVER END BLADE UP				RATED LIFT CAPACITY OVER SIDE BLADE DOWN			
	lbs (kg)				lbs (kg)				lbs (kg)			
157.5 (4,000)	MAX	157.5 (4,000)	118.1 (3,000)	78.7 (2,000)	MAX	157.5 (4,000)	118.1 (3,000)	78.7 (2,000)	MAX	157.5 (4,000)	118.1 (3,000)	78.7 (2,000)
157.5 (4,000)	1,719 (780)				1,697 (770)				1,763 (800)			
118.1 (3,000)	1,719 (780)	1,675 (760)			1,168 (530)	1,322 (600)			1,146 (520)	1,300 (590)		
78.7 (2,000)	1,763 (800)	1,851 (840)	2,160 (980)		970 (440)	1,256 (570)	2,072 (940)		970 (440)	1,278 (580)	2,116 (960)	
39.4 (1,000)	1,829 (830)	2,160 (980)	2,976 (1,350)		947 (430)	1,212 (550)	1,829 (830)		925 (420)	1,190 (540)	1,807 (830)	
Ground (0)	1,940 (880)	2,358 (1,070)	3,395 (1,540)	5,665 (2,570)	970 (440)	1,190 (540)	1,741 (790)	2,998 (1,360)	1,565 (710)	1,168 (530)	1,697 (770)	2,848 (1,290)
-39.4 (-1,000)	2,028 (920)	2,182 (990)	3,284 (1,490)	5,467 (2,480)	1,146 (520)	1,212 (550)	1,763 (800)	3,064 (1,390)	1,102 (500)	1,146 (520)	1,675 (760)	2,888 (1,310)
-78.7 (-2,000)	1,984 (900)		2,314 (1,050)	4,453 (2,020)	1,653 (750)		1,829 (830)	3,174 (1,440)	1,565 (710)		1,719 (780)	2,976 (1,350)



For parts, please visit YANMAR.com/us/products/parts/ or call 800.966.7685.