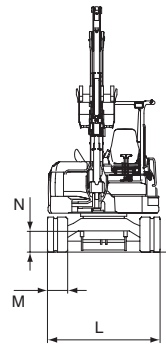
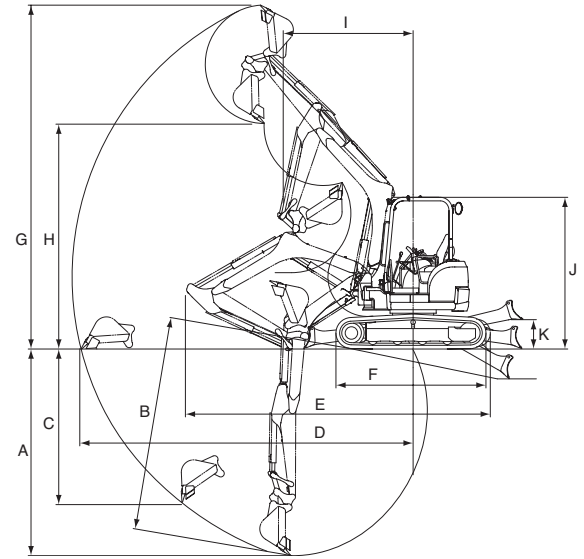
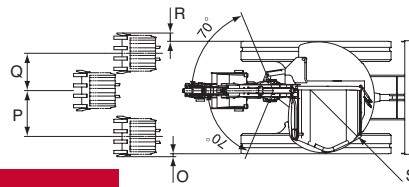


Vi055-6A



Dimensions - Vi055-6A

A 12'9.5" (3,900 mm)	K 1'8" (500 mm)
B 13'6" (4,120 mm)	L 6'6" (1,990 mm)
C 8'5" (2,560 mm)	M 1'4" (400 mm)
D 20'2" (6,140 mm)	N 1'2" (345 mm)
E 18'4" (5,580 mm)	O 1.4" (35 mm)
F 8'6" (2,590 mm)	P 2'3" (680 mm)
G 19'10" (6,060 mm)	Q 2'6" (770 mm)
H 13'3" (4,050 mm)	R 5" (125 mm)
I 7'9" (2,370 mm)	S R3'3" (R995 mm)
J 8'4" (2,540 mm)	

Specifications

Model		Vi055-6A	
Type		Canopy	Cabin
Operating Weight	Rubber Track	lbs (t)	11,850 (5.38)
	Steel Track	lbs (t)	12,247 (5.55)
Engine	Type	Water-cooled 4-cylinder diesel	
	Model	YANMAR 4TNV86CT-PBV	
	Output	HP (kW)/rpm	47.6 (35.5) / 2,400
Performance	Max Digging Force, Bucket / Arm	lbs (kN)	9,419 (41.9)* / 5,485 (24.4)*
	Traveling Speed, High / Low	MPH (km / h)	2.6 / 1.4 (4.2 / 2.2)
	Swing Speed	RPM	10
	Boom Swing Angle, (L / R)	degrees	68° / 68°
Ground Contact Pressure	Rubber Track	PSI (kPa)	4.17 (28.8)
	Steel Track	PSI (kPa)	4.25 (29.3)
Hydraulic System	Pump Capacity	GPM (L / min)	12 + 12 + 9.7 + 2.8 (42.5 + 42.5 + 37 + 10.8)
	Main Relief Set Pressure	PSI (MPa)	3,553 x 3 + 566 (24.5 x 3 + 3.9)
Blade Dimensions	Width x Height	ft-in (mm)	6'6" x 14" (1,970 x 400)
Fuel tank capacity		Gals (L)	17.4 (66)

*without quick coupler

Standard Equipment

- Blade
- Boom Swing
- Rubber Tracks
- Hydraulic Quick Coupler
- 2-way Pattern Control
- Arm End Auxiliary Valve
- Cylinder Rod Guards (boom, arm, bucket, blade)
- ROPS / FOPS Cabin or Canopy
- Windshield Washer (cabin spec)
- Defroster (cabin spec)
- Joystick Pilot Controls
- Arm Rests (adjustable)
- Suspension and Reclining Seat
- Seat Belt
- Traveling Levers and Pedals
- Traveling Alarm
- Built-in Type Boom Light
- Exterior Canopy or Cabin Work Light
- Operation Manual

*Also available without Quick Coupler.

Please note that the standard equipment may vary from this list. Consult your YANMAR dealer for confirmation.

Hydraulic PTO

Model	Vi055-6A		
	Output	PSI (MPa)	GPM (L / min)
			2,200RPM
Specification			
Combined Flow, Double Actions	3553 (24.5)	21.8 (82.8)	12 (45.8)

Lifting Capacity

LIFT POINT HEIGHT in (mm)	(R) LIFT RADIUS in (mm)											
	RATED LIFT CAPACITY OVER END BLADE DOWN				RATED LIFT CAPACITY OVER END BLADE UP				RATED LIFT CAPACITY OVER SIDE BLADE DOWN			
	lbs (kg)				lbs (kg)				lbs (kg)			
	MAX	157.5 (4,000)	118.1 (3,000)	78.7 (2,000)	MAX	157.5 (4,000)	118.1 (3,000)	78.7 (2,000)	MAX	157.5 (4,000)	118.1 (3,000)	78.7 (2,000)
157.5 (4,000)	2,403 (1,090)				2,290 (1,040)				1,763 (800)			
118.1 (3,000)	2,358 (1,070)	2,314 (1,050)			1,543 (700)	1,829 (830)			1,322 (600)	1,587 (720)		
78.7 (2,000)	2,425 (1,100)	2,645 (1,200)	3,306 (1,500)		1,300 (590)	1,719 (780)	3,152 (1,430)		1,146 (520)	1,587 (720)	2,425 (1,100)	
39.4 (1,000)	2,535 (1,150)	3,042 (1,380)	4,365 (1,980)		1,256 (570)	1,675 (760)	2,535 (1,150)		1,124 (510)	1,499 (680)	2,204 (1,000)	
Ground (0)	2,579 (1,170)	3,284 (1,490)	4,585 (2,080)	6,459 (2,930)	1,300 (590)	1,587 (720)	2,358 (1,070)	4,166 (1,890)	1,102 (500)	1,366 (620)	2,028 (920)	3,351 (1,520)
-39.4 (-1,000)	2,667 (1,210)	2,910 (1,320)	4,232 (1,920)	6,393 (2,900)	1,521 (690)	1,587 (720)	2,403 (1,090)	4,387 (1,990)	1,322 (600)	1,344 (610)	1,984 (900)	3,571 (1,620)
-78.7 (-2,000)	2,535 (1,150)		2,954 (1,340)		2,601 (1,180)		2,469 (1,120)		1,940 (880)		2,116 (960)	