

KX040-4 OPTIONS

STANDARD EQUIPMENT

Safety system

- Engine start safety system
- Travel motor with disc brake
- Swivel motor with disc brake
- All hydraulic control

Working equipment

- Auxiliary hydraulic circuit 1
- 2 working lights on cab and 1 light on the boom
- Dozer blade with float function
- Thumb bracket and relief valve

Operator's space

- ROPS/OPG (TOP Guard, Level I) canopy
- Weight-adjustable full suspension seat
- Retractable seat belt
- Hydraulic pilot control levers with wrist rests
- Travel levers with foot pedals
- Two pattern selection system
- Digital panel
- 12V power source
- Cup holder
- Horn

Engine/Fuel system

- Double element air filter
- Auto idling system
- Water separator with drain cock

Undercarriage

- 1'1.8" (350 mm) rubber track
- 1 × upper track roller
- 4 double-flange track rollers on each side
- 2-speed travel switch on dozer lever
- 2-speed travel with auto-shift

Hydraulic system

- 1-pump load sensing system
- Pressure accumulator
- Hydraulic pressure checking ports
- Straight travel circuit
- Third line hydraulic return
- Auxiliary switch (AUX1) on right control lever
- Adjustable maximum oil flow on auxiliary hydraulic circuits 1

Others

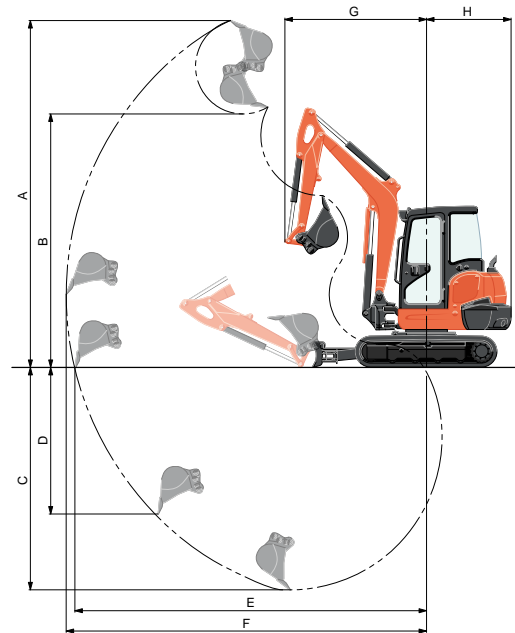
- Tool box
- Grease gun holder

OPTIONAL EQUIPMENT

- 6 in 1 blade with float function and BOE
- Angle blade with float function and BOE
- Cab with A/C
- Canopy lights
- Beacon lights
- 1'1.8" (350 mm) steel track
- Additional auxiliary hydraulic circuit 2 (adjustable max. oil flow control)
- Travel alarm
- Mirror kit
- Cab radio
- Hydraulic breaker
- Hydraulic thumb
- Pin-on and quick attach buckets

WORKING RANGE

Model			KX040-4
A	Max. digging height	ft. in. (mm)	17'6" (5335)
B	Max. dumping height	ft. in. (mm)	12'9.5" (3900)
C	Max. digging depth	ft. in. (mm)	11'2.7" (3420)
D	Max. vertical digging depth	ft. in. (mm)	7'4.8" (2255)
E	Max. digging radius, at ground level	ft. in. (mm)	17'9" (5410)
F	Max. digging radius	ft. in. (mm)	18'2.1" (5540)
G	Min. turning radius	W/o swing ft. in. (mm)	7'1.8" (2180)
		W swing ft. in. (mm)	5'11.1" (1805)
H	Min. tail turning radius	ft. in. (mm)	4'3.2" (1300)

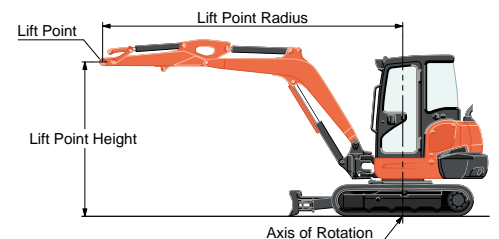


LIFTING CAPACITY

Cab rubber

LIFT POINT HEIGHT (ft)	LIFTING CAPACITY OVER-FRONT BLADE DOWN unit=1000 lbs			LIFTING CAPACITY OVER-SIDE unit=1000 lbs		
	LIFT POINT RADIUS (ft)			LIFT POINT RADIUS (ft)		
	8	12	14	8	12	14
6	2.72	1.91	1.75	2.72	1.60	1.27
4	3.54	2.13	1.86	2.76	1.55	1.25
2	4.08	2.32	1.96	2.65	1.51	1.22
GL	4.25	2.43	2.01	2.60	1.48	1.21

Machine with cab and rubber crawler, without bucket, with standard blade



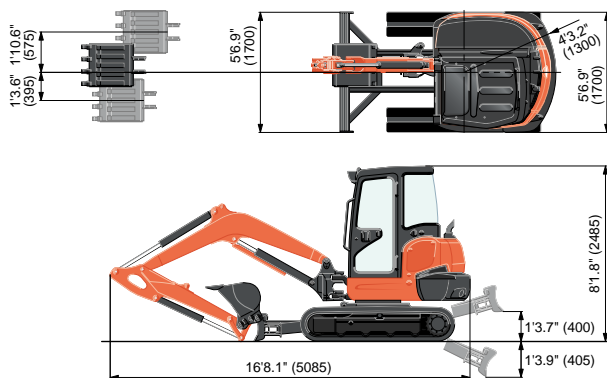
SPECIFICATIONS

Model		KX040-4	KX040-4 Angle Blade	KX040-4 6-in-1 Blade	
Type of ROPS / OPG (TOP Guard, Level I)*		Canopy / Cab			
Type of tracks		Rubber / Steel			
Engine	Model	Kubota D1803-CR-TE4			
	Output (SAE J1995 gross)	HP (kW) / rpm	40.4 (30.1) / 2200		
	Output (SAE J1349 net)	HP (kW) / rpm	38.9 (29.0) / 2200		
	Displacement	cu. in. (cc)	111.4 (1826)		
Dimensions	Overall length	ft. in. (mm)	16'8.2" (5085)		
	Overall height	Canopy / Cab ft. in. (mm)	8'1.8" (2485) / 8'1.8" (2485)		
	Overall width	ft. in. (mm)	5'6.9" (1700)	5'10.9" (1800)	
	Min. ground clearance	in. (mm)	12.99" (330)		
Hydraulic system	Pump capacity	GPM (ℓ/min)	24.4 (92.4)		
	Auxiliary hydraulic flow	AUX1 / AUX2 GPM (ℓ/min)	17.2 (65) / 9.8 (37)		
	Max. breakout force	Bucket / Arm lbf. (kgf)	9535 (4325) / 4112 (1865)		
Drive system	Travel speed	Low / High mph (km/h)	1.8 (2.9) / 3.1 (5.0)		
	Max. traction force	Low speed lbf. (kgf)	9747 (4420)		
	Tumbler distance	ft. in. (mm)	5'7.3" (1710)		
	Crawler length	ft. in. (mm)	7'1.6" (2175)		
	Shoe width	ft. in. (mm)	1'1.8" (350)		
	Ground contact pressure	Rubber Canopy / Cab psi (kPa)	4.53 (31.2) / 4.68 (32.3)	4.70 (32.4) / 4.86 (33.5)	4.87 (33.6) / 5.02 (34.6)
		Steel Canopy / Cab psi (kPa)	4.61 (31.8) / 4.76 (32.8)	4.78 (33.0) / 4.93 (34.0)	4.95 (34.1) / 5.10 (35.2)
Swing system	Unit swing speed	rpm	9.2		
	Boom swing angle	Left / Right degree	70 / 55		
Blade	Dimensions	Width	ft. in. (mm)	5'6.9" (1700)	5'10.9" (1800)
		Height	ft. in. (mm)	1'1.8" (350)	1'3.2" (385)
	Max. lift above ground	ft. in. (mm)	1'3.7" (400)	1'4.5" (420)	1'4.9" (430)
	Max. drop below ground	ft. in. (mm)	1'3.9" (405)	1'8.1" (510)	1'8.9" (530)
	Angle	Left / Right	degree	-	25 / 25
Tilt		degree	-	10 / 10	
Hydraulic oil (Reservoir / System)		gal (ℓ)	11.1 (42) / 19.6 (74)		
Fuel reservoir		gal (ℓ)	16.9 (64)		
Operating weight (Including operator's weight @ 175 lbs.)	Rubber Canopy / Cab	lbs. (kg)	9195 (4170) / 9500 (4310)	9545 (4330) / 9855 (4470)	9900 (4490) / 10210 (4630)
	Steel Canopy / Cab	lbs. (kg)	9350 (4240) / 9655 (4380)	9700 (4400) / 10010 (4540)	10050 (4560) / 10360 (4700)

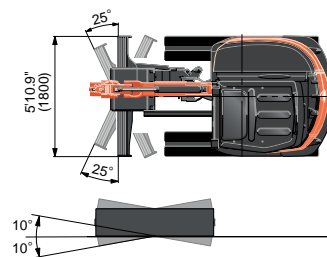
* OPG (TOP Guard, Level I) in accordance with ISO10262 is equivalent in definition to FOPS (Falling Object Protective Structure).

The company reserves the right to change the above specifications without notice. This brochure is for descriptive purposes only. Please contact your local Kubota dealer for warranty information. For your safety, Kubota strongly recommends the use of a Rollover Protective Structure (ROPS) and seat belt for almost all applications.

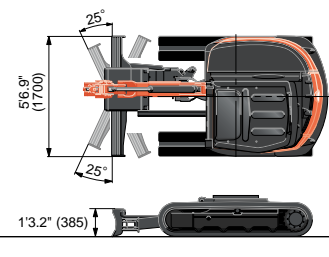
DIMENSIONS



6-in-1 Blade



Angle Blade



Unit: ft. in. (mm)

©2013 Kubota Corporation



KUBOTA TRACTOR CORPORATION

Kubota Tractor Corporation, 3401 Del Amo Boulevard, Torrance CA 90503
 Western Division: 1175 S. Guild Ave., Lodi, CA 95240 Tel (209) 334-9910
 Central Division: 14855 FAA Boulevard, Fort Worth, TX 76155 Tel (817) 571-0900
 Northern Division: 6300 at One Kubota Way, Groveport, OH 43125 Tel (614) 835-1100
 Southeast Division: 1025 Northbrook Parkway, Suwanee, GA 30024 Tel (770) 995-8855

Visit our web site at: www.kubota.com

