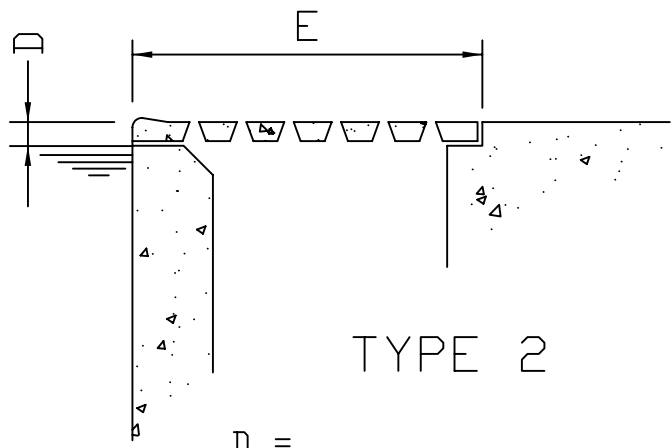


TYPE 1

D = _____
 POOL WALL (REF.)
 E = _____
 F = _____
 G = _____

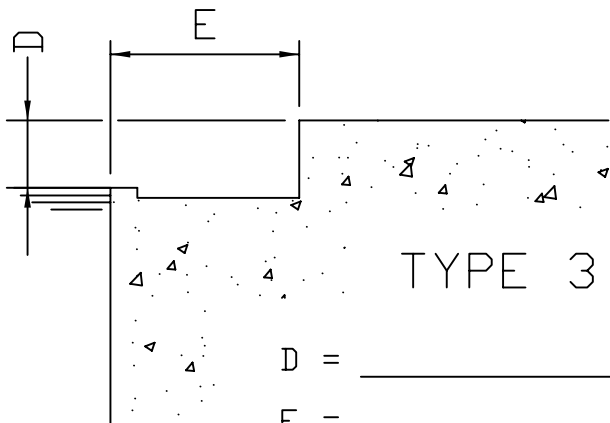
SLOPE = _____ (IF ANY)
 TOWARDS or AWAY FROM POOL
 WATER DEPTH= _____
 AT STARTING PLATFORM LOCATION



TYPE 2

D = _____
 POOL WALL (REF.)
 E = _____
 (TYPICALLY= 0")

SLOPE = _____ (IF ANY)
 TOWARDS or AWAY FROM POOL
 WATER DEPTH= _____
 AT STARTING PLATFORM LOCATION

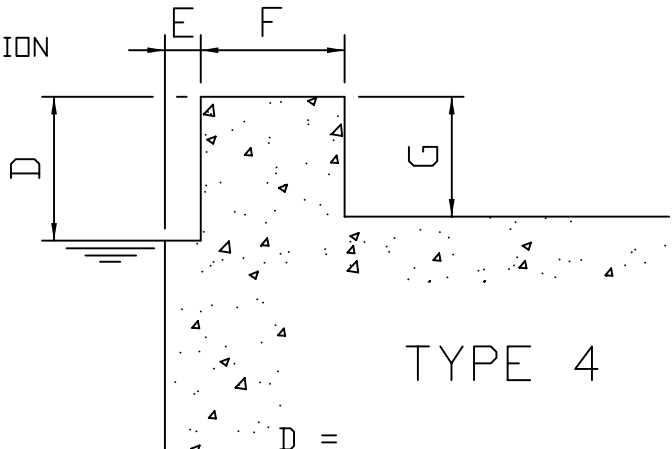


TYPE 3

D = _____
 POOL WALL (REF.)
 E = _____

SLOPE = _____ (IF ANY)
 TOWARDS or AWAY FROM POOL

WATER DEPTH= _____
 AT STARTING PLATFORM LOCATION



TYPE 4

D = _____
 POOL WALL (REF.)
 E = _____
 F = _____
 G = _____

SLOPE = _____ (IF ANY)
 TOWARDS or AWAY FROM POOL

WATER DEPTH= _____
 AT STARTING PLATFORM LOCATION

SCALE: (NOT TO SCALE)

This data represents the latest knowledge available to us at time of presentation. However Paragon Aquatics and others involved in gathering and presenting this drawing assume no liability for its use.

© 2003 Paragon Aquatics

NOTE: A & B are not used on this sheet to eliminate confusion with starting platform height & anchor set back dimensions found in catalog.



1351 Route 55
 LaGrangeville, New York
 12540
 Tel: (845) 452-5500
 Fax: (845) 452-5426

Sheet Title:

GUTTER PROFILE SHEET
 FOR STARTING PLATFORMS

Drawn By: MC

Date: 2/11/97

Check By: MC

Date: 4/11/03

Dwg. No. PR-1350

Rev. Ltr. B