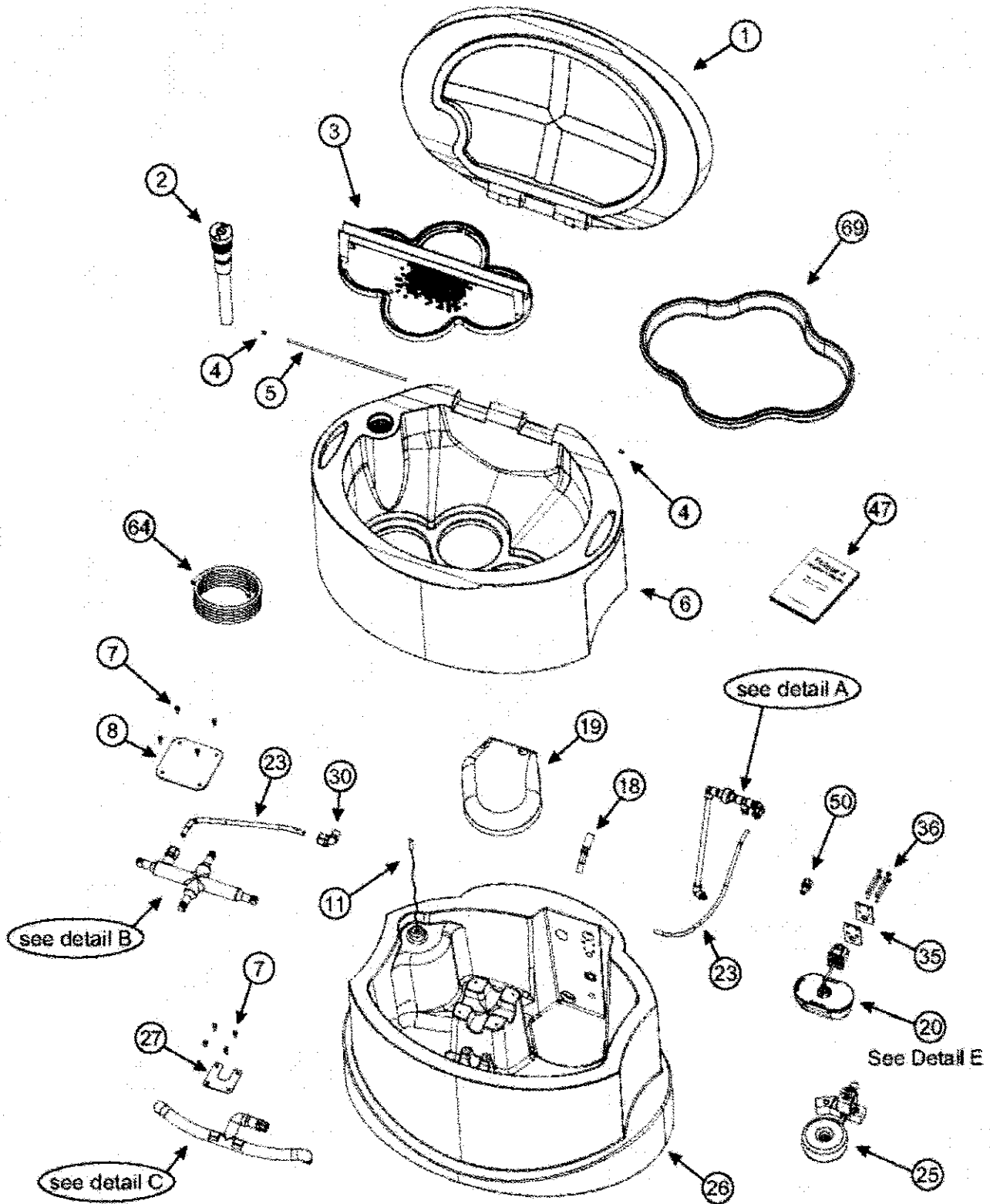
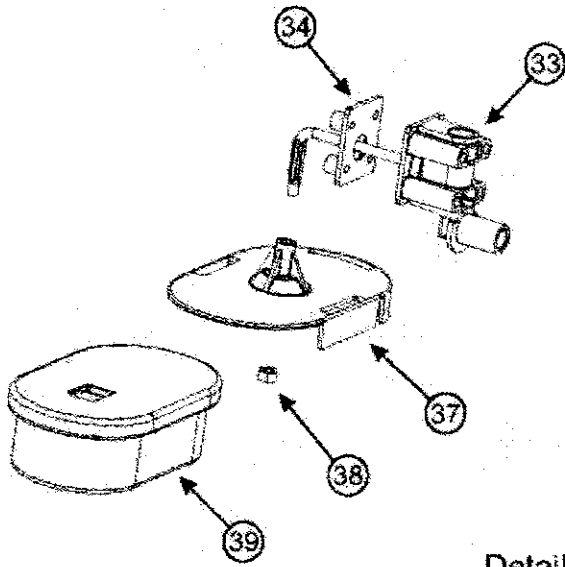


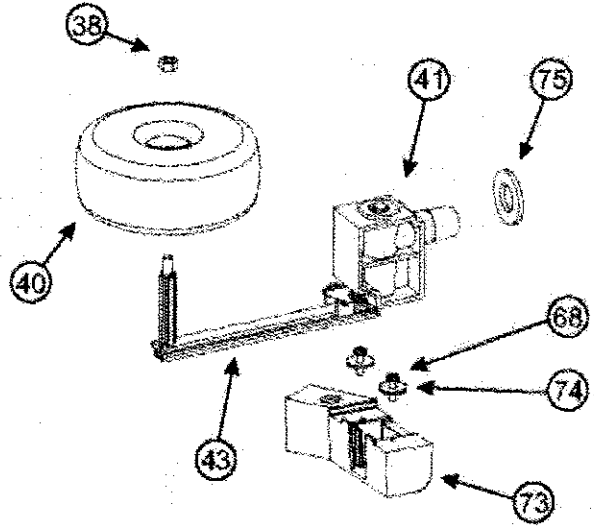
Pulsar® 4 Detailed View



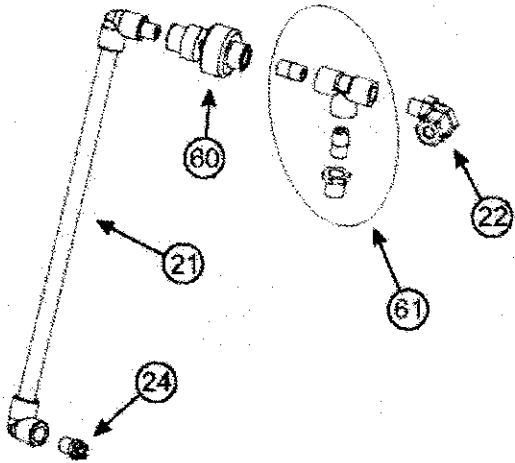
rev. 01-15-03



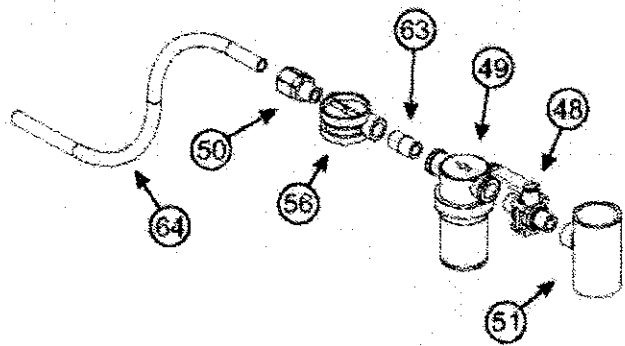
Detail E



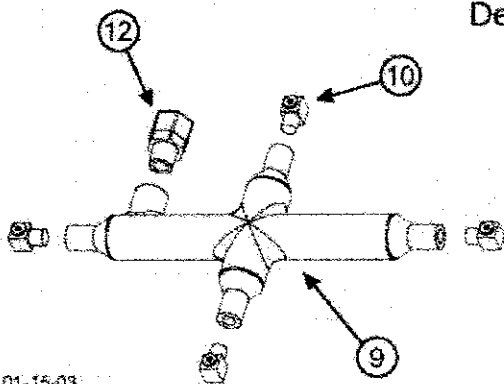
Detail of 25



Detail A

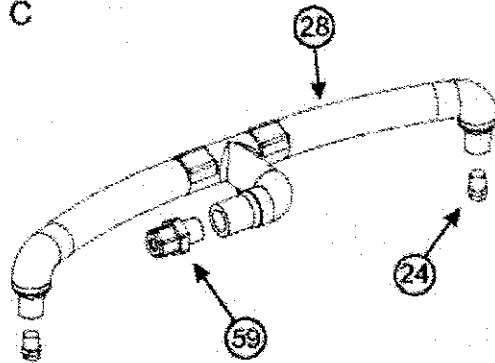


Detail D



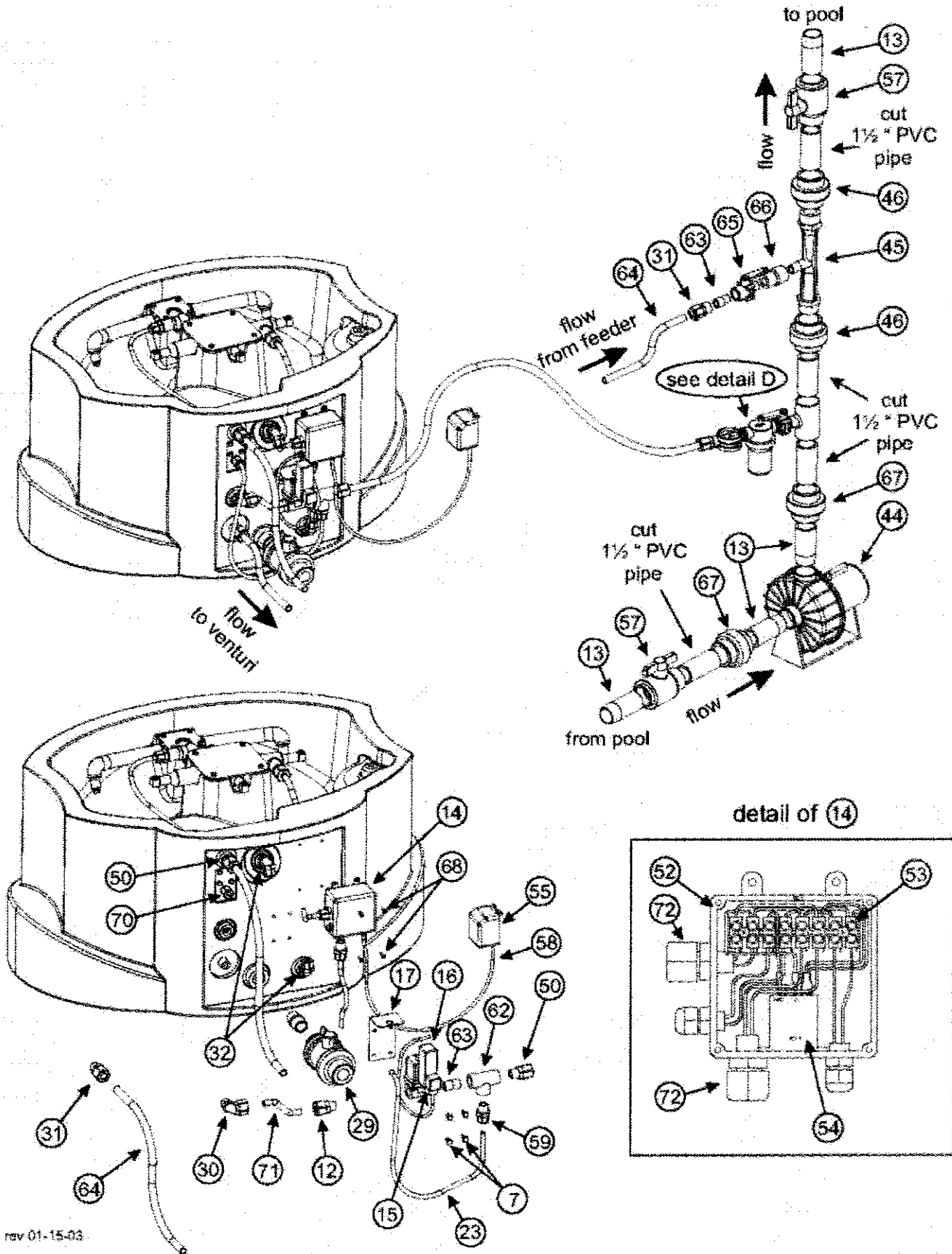
Detail B

Detail C



rev 01-15-03

Pulsar® 4 Rear Control Panel Detailed View



rev 01-15-03

Pulsar® 4

Diagram Number	Part Number	Qty	Description
0	71806	1	Pulsar 4 System
1	71879	1	Lid for Pulsar 4 Feeder
2	71880	1	Shut Off Assembly for Pulsar 4
3	71881	1	Briquette Screen Assembly for Pulsar 4
4	71882	2	Screw for Pulsar 4 lid
5	71883	1	Hinge Rod for Pulsar 4 lid
6	71884	1	Pulsar 4 Hopper
7	71885	12	Hex Nut Plastic Screw, 1/4-20, 5/8"
8	71886	1	Mounting Plate for Spray Tree
9	71887	1	Spray Tree
10	71888	4	Spray Nozzle for Spray Tree (Full Cone)
11	71889	1	Lid Switch
12	71890	2	Parker Fitting, W8MC8 (also for solenoid)
13	71548	2	1 1/2" X 12" PVC Nipple
14	71920	1	Junction Box, Complete Assembly Pulsar 4
15	71893	1	Timer (Pulsar 4) Includes Cord/Din Connector
16	71894	1	Solenoid (24 Volt) Pulsar Line
17	71895	1	Bracket for Timer/Solenoid
18	71896	1	Electronic Shut Off
19	71897	1	Deflection Plate
21	71919	1	Well Agitator
22	71900	1	Parker fitting W6ME4
23	71618	1	3/8" PE Tubing (2 ft)
24	71901	3	Spray nozzles for Washdown , Flat Fan
26	71903	1	Pulsar 4 Discharge Tank
27	71904	1	Washdown Mounting Plate
28	71905	1	Washdown Manifold
29	71906	1	1" drain valve (true union) With Nipple
30	71898	2	Parker Fitting W8ME8
31	71908	2	Parker Fitting W10FC8
32	71909	2	Parker fitting W6ME8
33	71535	1	Emergency Shut Off Valve with Arm Only
34	71536	1	Emergency Shut Off Mounting Plate
35	71910	2	Rubber Gasket for Emergency Shut Off Valve
36	71749	4	Plastic Screws (1/4-20) 3 1/4" for ESV (For Pulsar 4 Only)
37	71539	1	Emergency Shut Off Float Plate
38	71538	1	Emergency Shut Off Float Plate PVC Nut/Discharge Arm Nut
39	71540	1	Emergency Shut Off Overflow Float

Pulsar® 4

Diagram Number	Part Number	Qty	Description
40	71585	1	Discharge Valve Float
41	71615	1	Discharge Valve Body with Plug, Ball & Gasket
43	71584	1	Discharge Valve Arm with Suction Cup
44	71808	1	Pulsar 4 Pump (1 hp)
45	71811	1	Venturi for Pulsar Systems
46	71907	2	Unions(Quick disconnects) Venturi (Slip X Thread)
47	71915	1	Manual for Pulsar 4
48	71621	1	1/2" Ball Valve MM (Inlet)
49	71605	1	(5100A) Line Strainer Assembly
50	71918	3	Parker fitting W10MC8
51	71547	1	1 1/2" X 1/2" Schedule 80 PVC T SXF
52	71892	1	Junction Body w/Fittings
53	71921	1	Terminal Block
54	71922	1	Electronic Relay
55	71923	1	24V AC Transformer/Plug US
56	71928	1	Gem Sensors Flow Indicator (#155480) for Pulsar 4 only
57	71913	2	1 1/2" Slip PVC sch40 ball valves
58	71926	1	Power cord for Transformer (20 ft)
59	71590	2	(5023) 1/2" X 3/8" Male Connector (W6MC8)-Parker
60	71911	1	Union 1/4" Threaded
61	71899	1	Washdown assbly 2(1/4" clsd nipples), 1(1/4" threaded Tee), 1(3/8" MNPT X1/
62	71912	1	1/2" Threaded Tee
63	71916	3	1/2" PVC Closed Nipple
64	71891	1	20' Flexible Tubing 5/8"
65	71627	1	1/2" Ball Valve MF (Outlet)
66	71917	1	3/4" FNPT X 1/2" FNPT PVC Reducer
67	71914	2	Quick Disconnects (Pump) Slip X Slip
68	71925	4	8 - 32X5/8" PVC Screws
69	71927	1	Briquette Cleaning Pan for Pulsar 4
70	72006	1	Parker Fitting W6MC4
71	71626	1	20' 1/2" O.D. PE Tubing(P4 only need 3 inch piece)
72	71582	2	(4014) Parker Fitting P6MC4
73	72863	1	Discharge Valve Enhancement Adaptor
74	72865	2	Custom Washer for Discharge Valve Adapter
75	71576		Discharge Valve Gasket - P4