

Project:

Client:

Level: FDN TO ROOF

Description: CMU WALLS

Location: GA 30075

Branch:

Phone:

Address:

State/City:

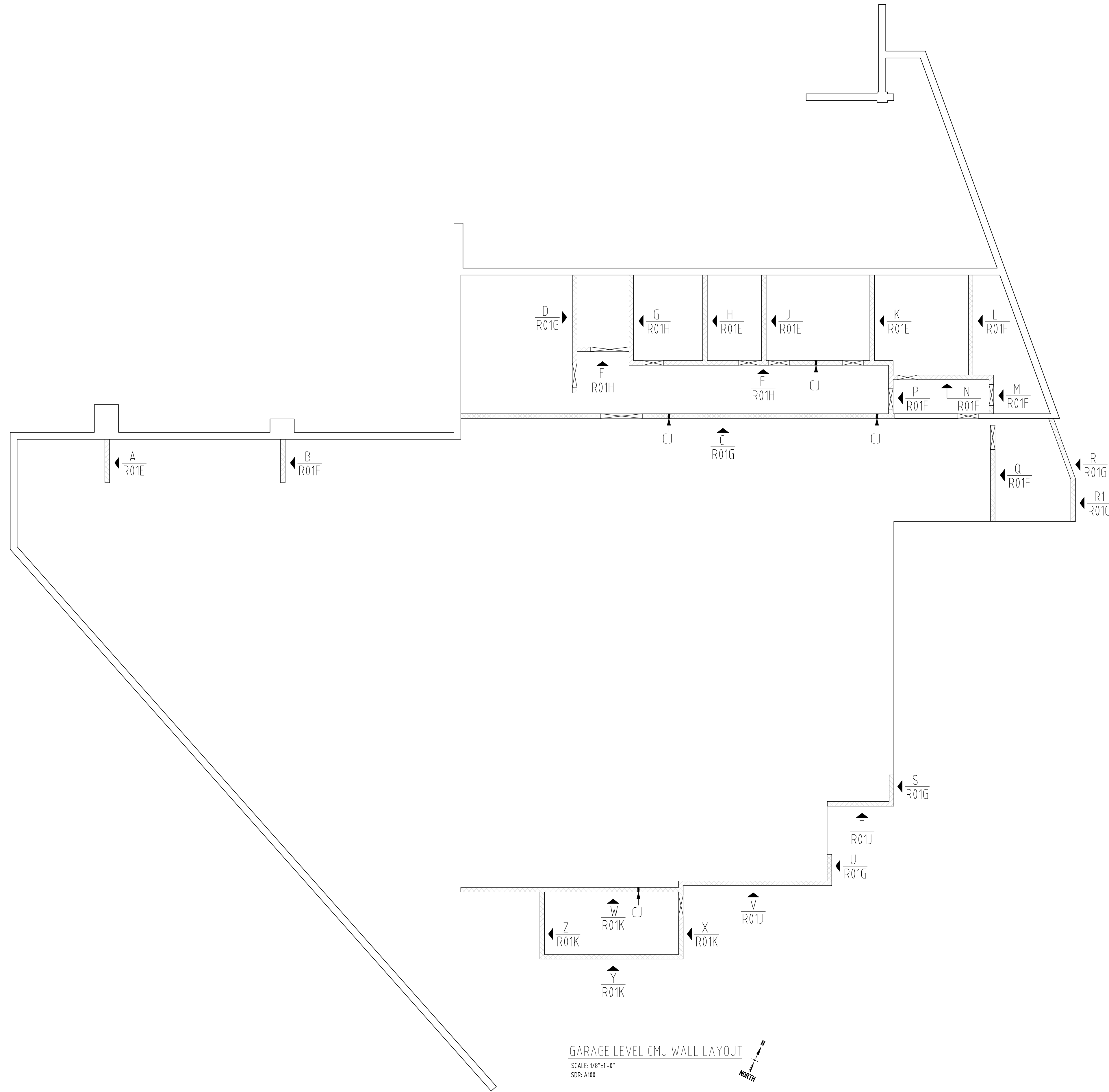
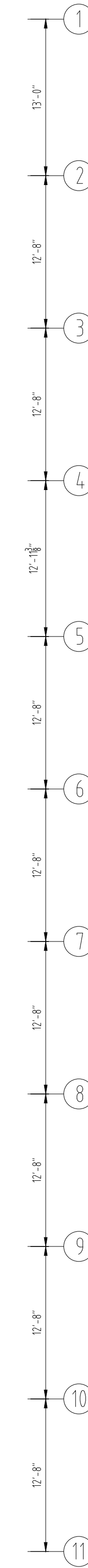
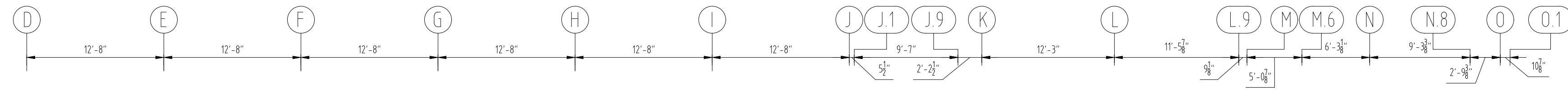
Drawn by: WES

Check by: RK

Revision: 2

Date: 04/09/26

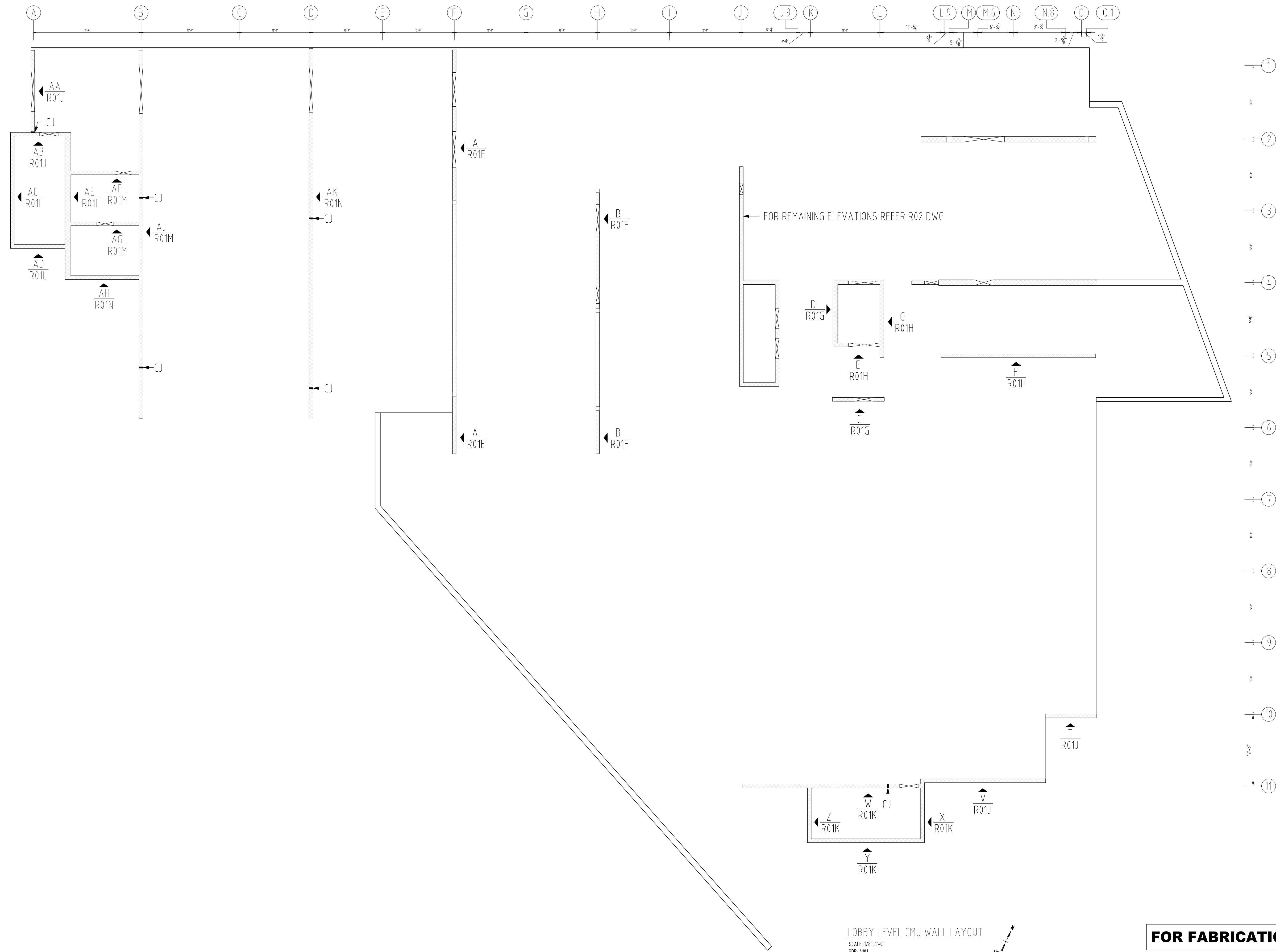
# R01



GARAGE LEVEL CMU WALL LAYOUT  
 SCALE: 1/8"=1'-0"  
 SDR: A100

**FOR FABRICATION**

ASTM 615 - GR 60 - BLK



LOBBY LEVEL CMU WALL LAYOUT  
 SCALE: 1/8"=1'-0"  
 SDR: 4101

**FOR FABRICATION**  
 ASTM 615 - GR 60 - BLK

Project:	
Client:	
Level:	FDN TO ROOF
Description:	CMU WALLS
Location:	GA 30075
Branch:	
Phone:	
Address:	
State/City:	
Drawn by:	WES
Check by:	RK
Revision:	2
Date:	04/09/26

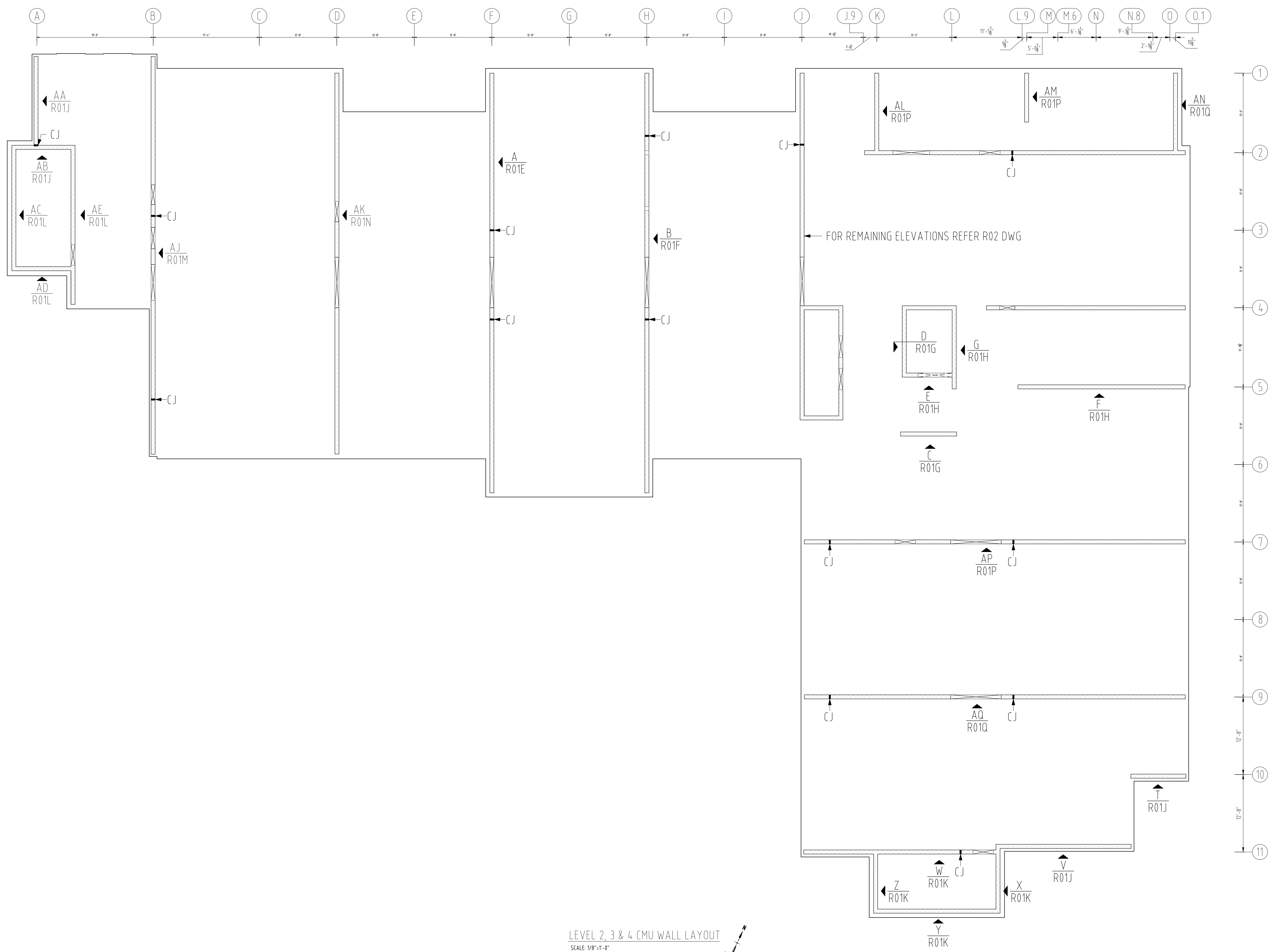
# R01A

Project:	
Client:	
Level:	FDN TO ROOF
Description:	CMU WALLS
Location:	GA 30075

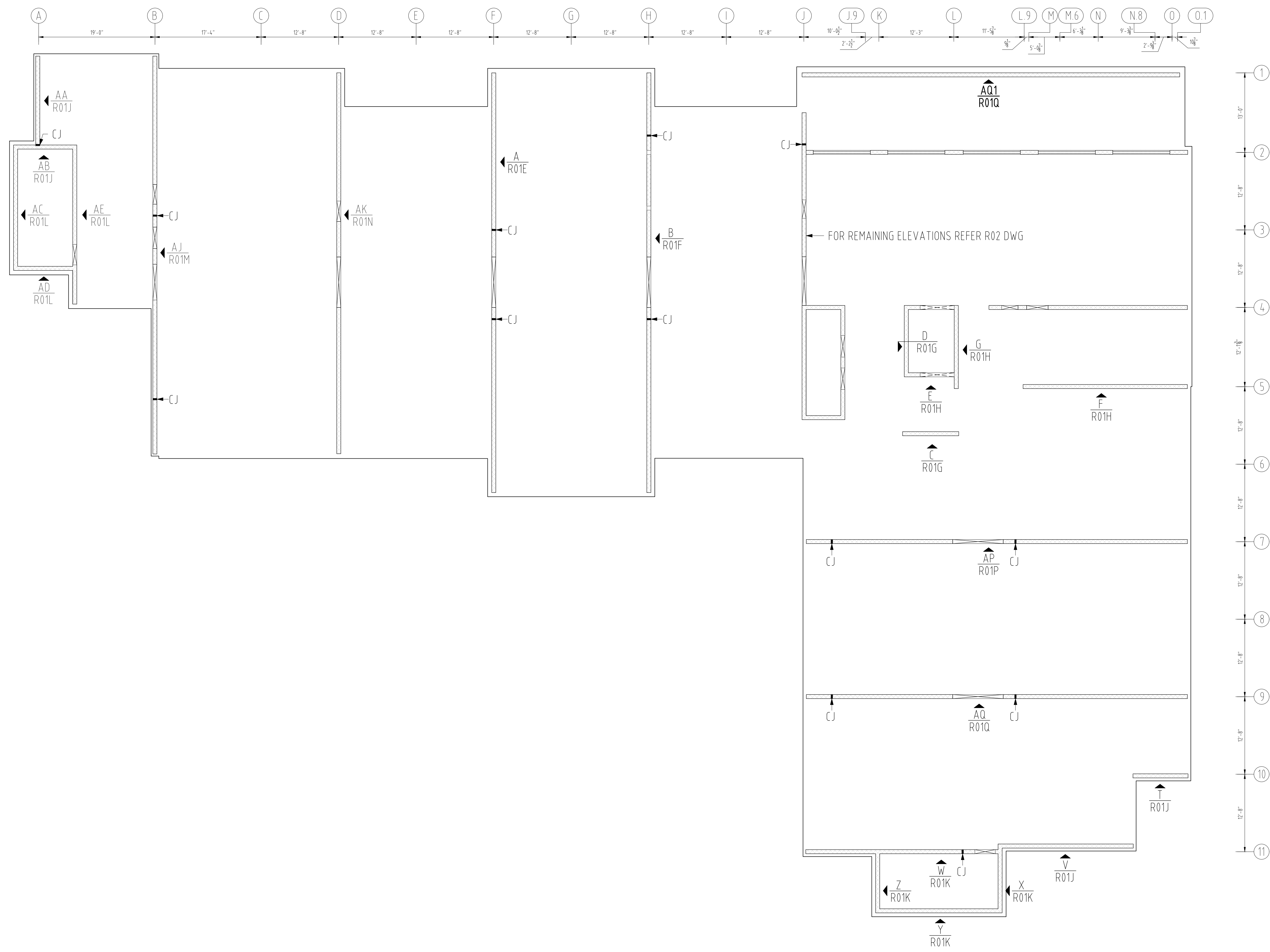
Branch:	
Phone:	
Address:	
State/City:	
Drawn by:	WES
Check by:	RK
Revision:	2
Date:	04/09/26

**R01B**

**FOR FABRICATION**  
ASTM 615 - GR 60 - BLK



LEVEL 2, 3 & 4 CMU WALL LAYOUT  
SCALE: 1/8"=1'-0"  
SDR: A102 & A103



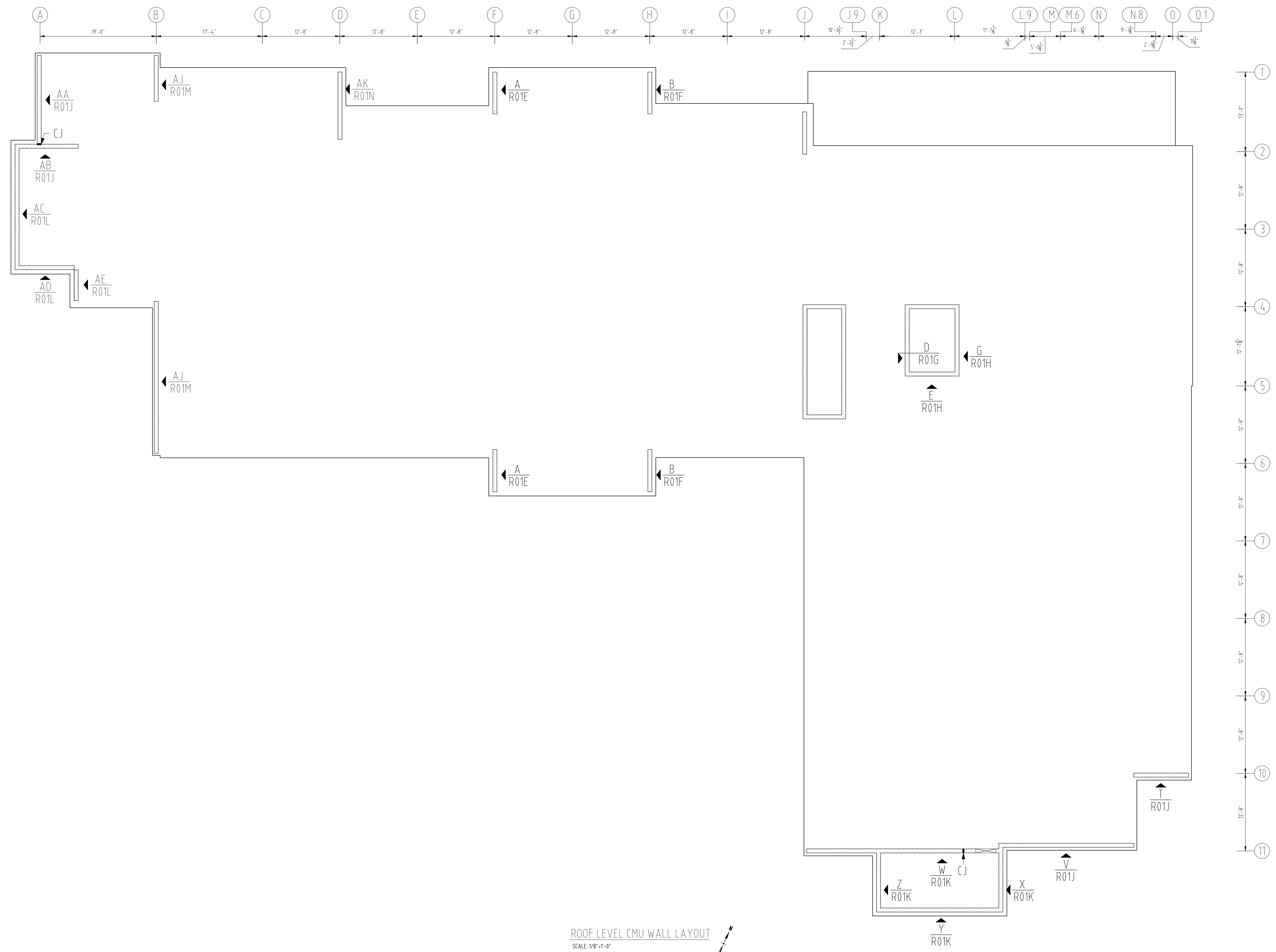
LEVEL 5 CMU WALL LAYOUT  
 SCALE: 1/8"=1'-0"  
 SDR: A104

**FOR FABRICATION**  
 ASTM 615 - GR 60 - BLK

Project:	
Client:	
Level:	FDN TO ROOF
Description:	CMU WALLS
Location:	GA 30075

Branch:	
Phone:	
Address:	
State/City:	
Drawn by:	WES
Check by:	RK
Revision:	2
Date:	04/09/26

# R01C



ROOF LEVEL CMU WALL LAYOUT  
 SCALE 1/8"=1'-0"  
 SDR A105

**FOR FABRICATION**  
 ASTM 615 - GR 60 - BLK

# R01D

Project:	
Client:	
Level:	FDN TO ROOF
Description:	CMU WALLS
Location:	GA 30075
Branch:	
Phone:	
Address:	
State/City:	
Drawn by:	WES
Check by:	RK
Revision:	2
Date:	04/09/26

Project:

Client:

Level: FDN TO ROOF

Description: CMU WALLS

Location: GA 30075

Branch:

Phone:

Address:

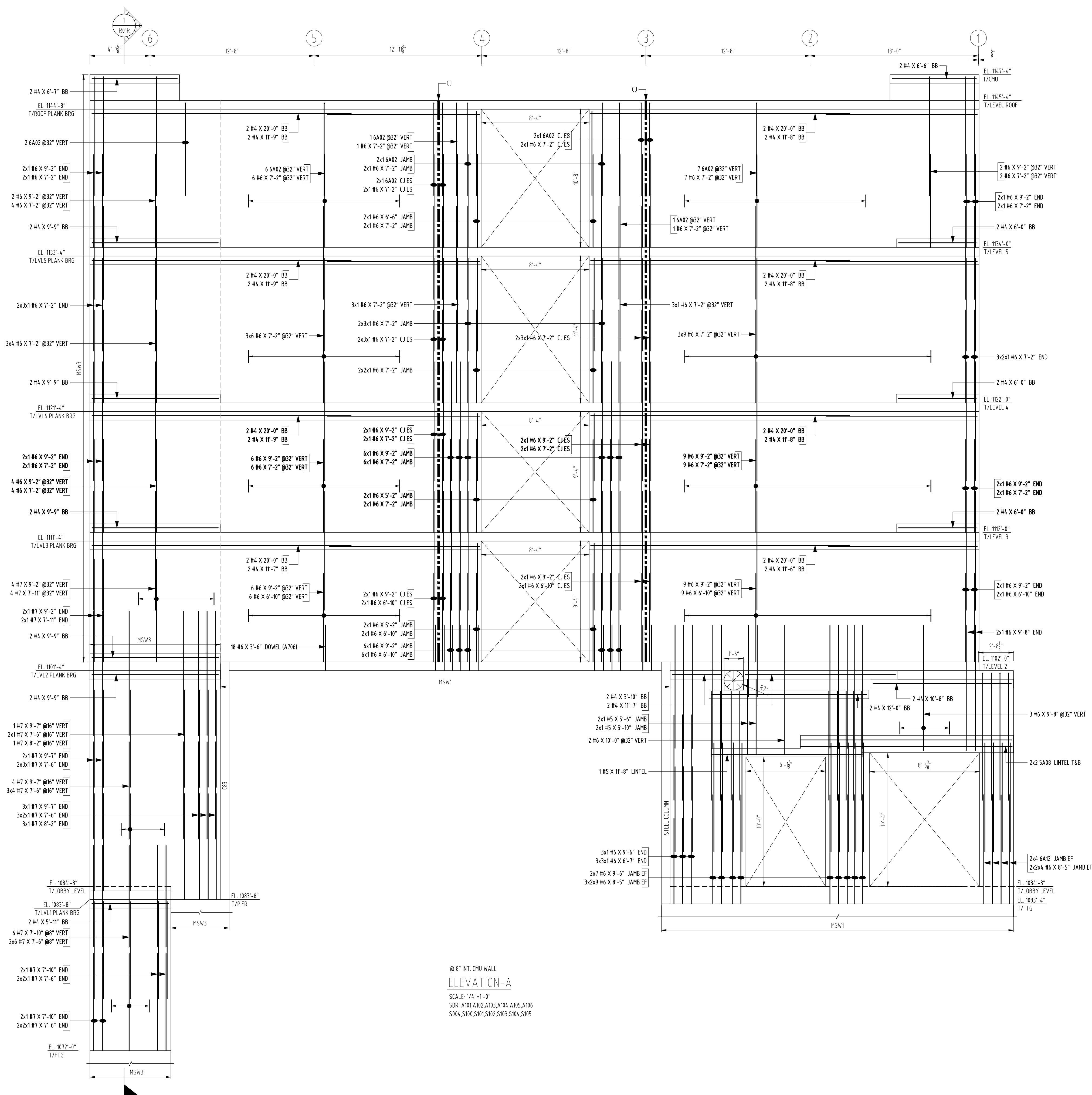
State/City:

Drawn by: WES

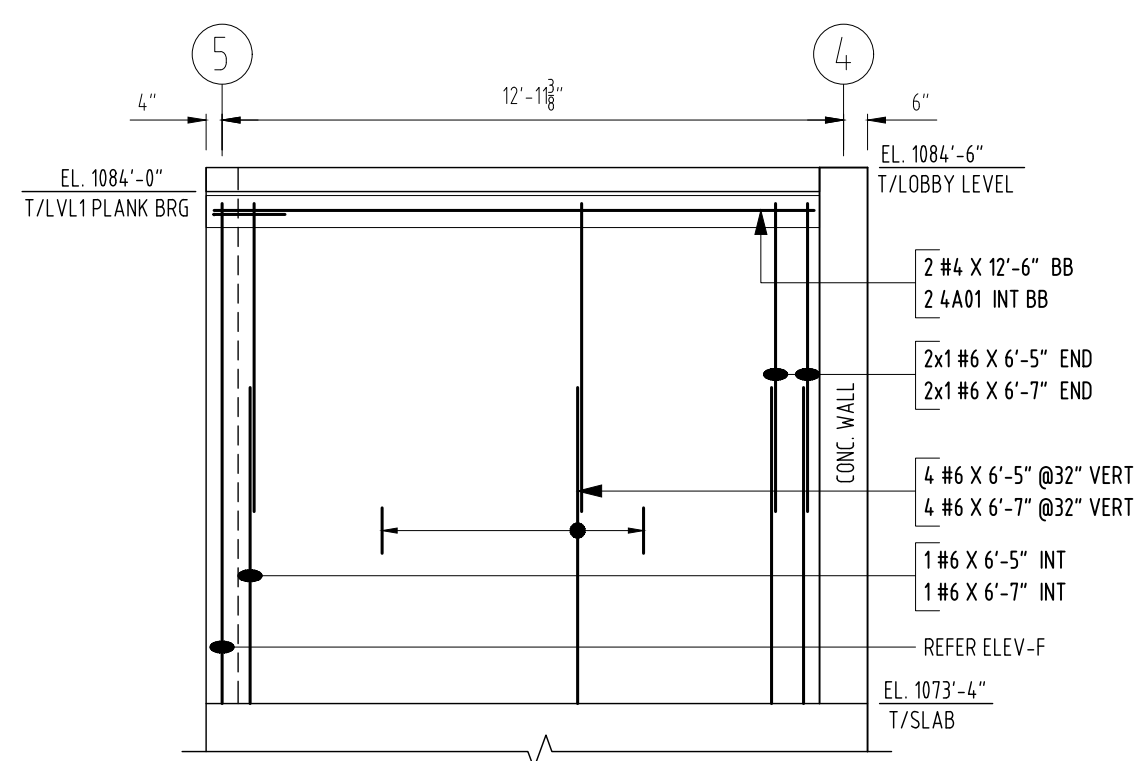
Check by: RK

Revision: 2

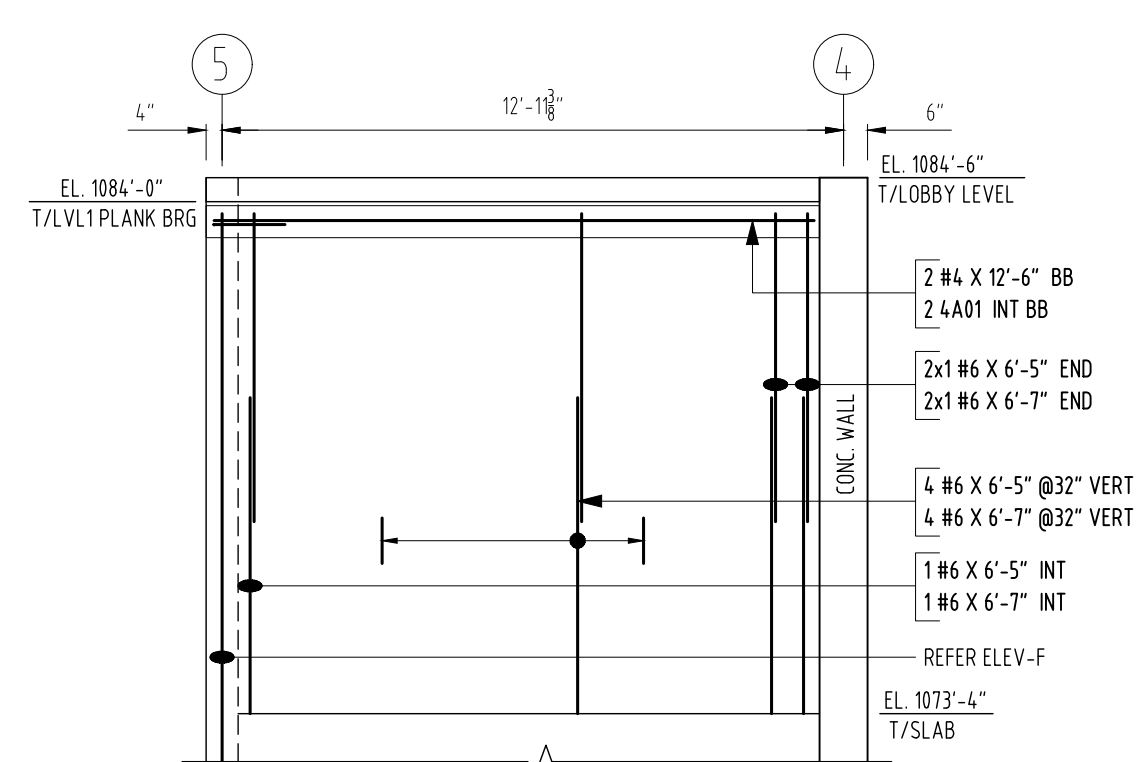
Date: 04/09/26



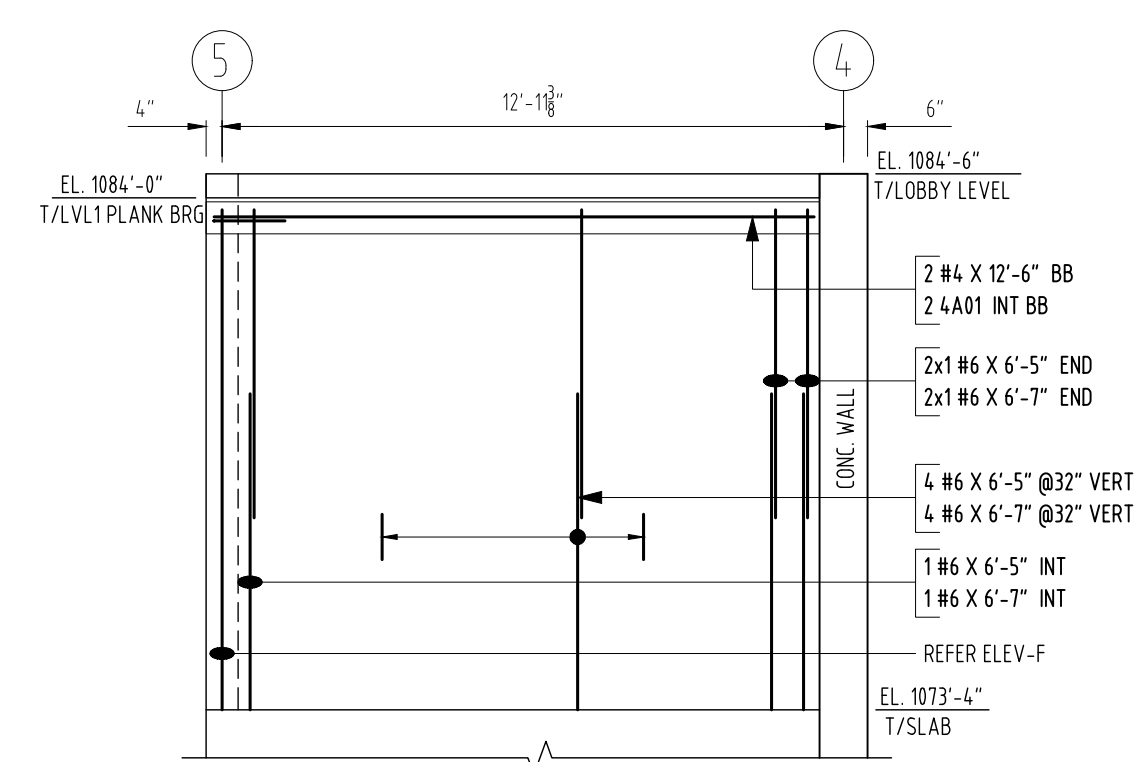
@ 8" INT. CMU WALL  
**ELEVATION-A**  
 SCALE: 1/4"=1'-0"  
 SDR: A101,A102,A103,A104,A105,A106  
 S004,S100,S101,S102,S103,S104,S105



@ 8" INT. NON-LOAD BRG CMU WALL  
**ELEVATION-H**  
 SCALE: 1/4"=1'-0"  
 SDR: A101,A102,S004,S100,S101,S311



@ 8" INT. NON-LOAD BRG CMU WALL  
**ELEVATION-J**  
 SCALE: 1/4"=1'-0"  
 SDR: A101,A102,S004,S100,S101,S311



@ 8" INT. NON-LOAD BRG CMU WALL  
**ELEVATION-K**  
 SCALE: 1/4"=1'-0"  
 SDR: A101,A102,S004,S100,S101,S311

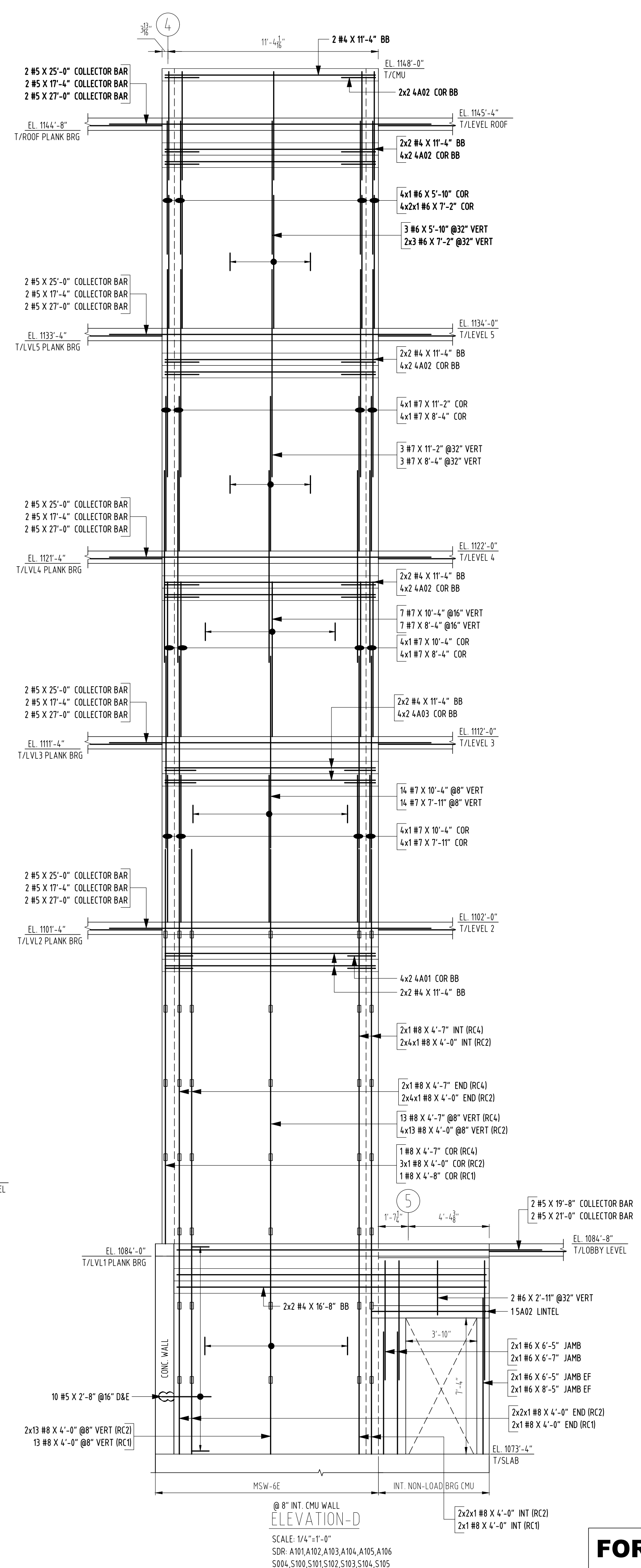
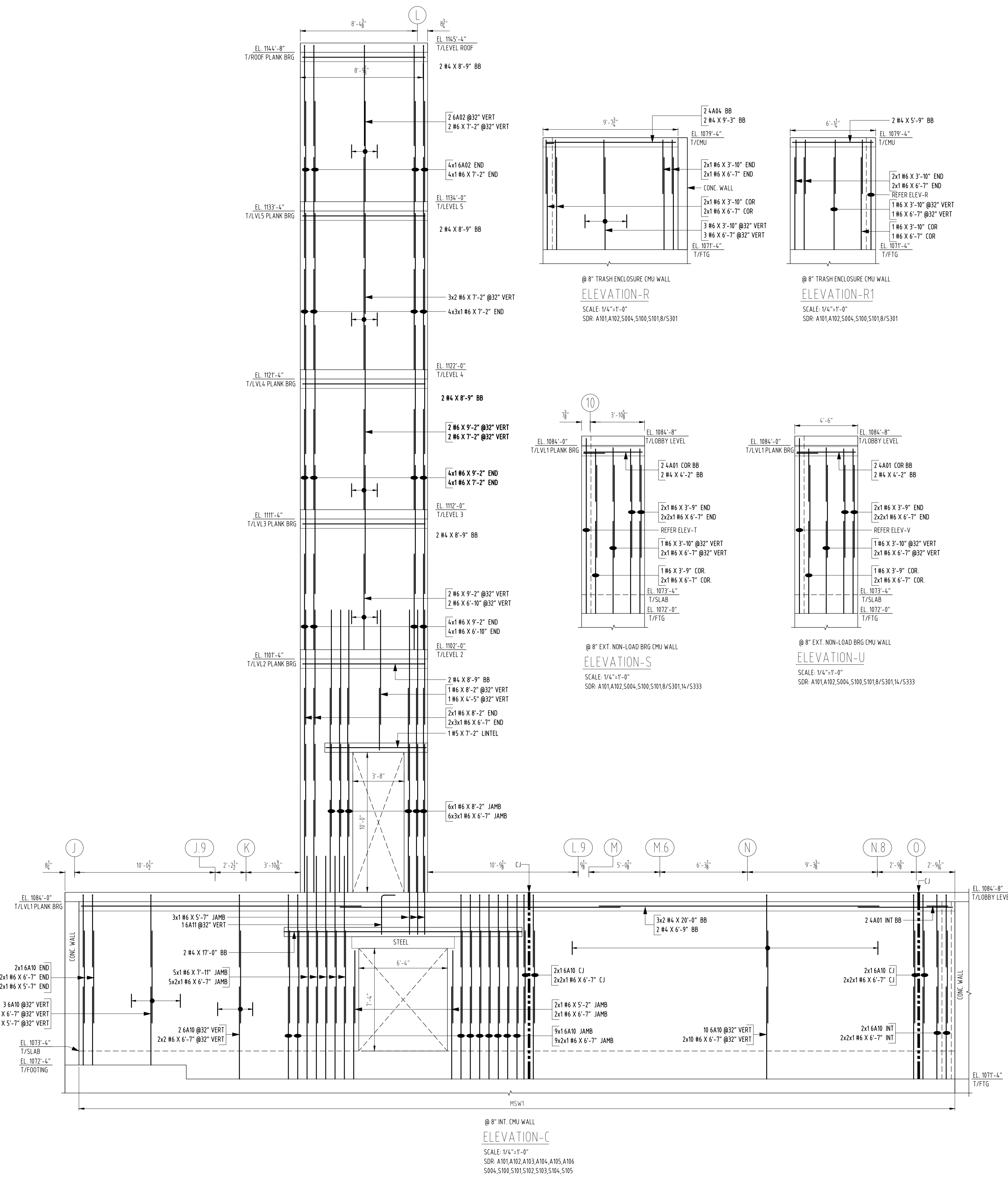
**FOR FABRICATION**

ASTM 615 - GR 60 - BLK

# R01E



Project:  
 Client:  
 Level: FDN TO ROOF  
 Description: CMU WALLS  
 Location: GA 30075



@ 8" INT. CMU WALL  
**ELEVATION-C**  
 SCALE: 1/4"=1'-0"  
 SDR: A101,A102,A103,A104,A105,A106  
 S004,S100,S101,S102,S103,S104,S105

@ 8" EXT. NON-LOAD BRG CMU WALL  
**ELEVATION-S**  
 SCALE: 1/4"=1'-0"  
 SDR: A101,A102,S004,S100,S101,S1018/S301,14/S333

@ 8" EXT. NON-LOAD BRG CMU WALL  
**ELEVATION-U**  
 SCALE: 1/4"=1'-0"  
 SDR: A101,A102,S004,S100,S1018/S301,14/S333

@ 8" INT. CMU WALL  
**ELEVATION-D**  
 SCALE: 1/4"=1'-0"  
 SDR: A101,A102,A103,A104,A105,A106  
 S004,S100,S101,S102,S103,S104,S105

**FOR FABRICATION**  
 ASTM 615 - GR 60 - BLK

**R01G**

Branch:  
 Phone:  
 Address:  
 State/City:  
 Drawn by: WES  
 Check by: RK  
 Revision: 2  
 Date: 04/09/26

Project:

Client:

Level: FDN TO ROOF

Description: CMU WALLS

Location: GA 30075

Branch:

Phone:

Address:

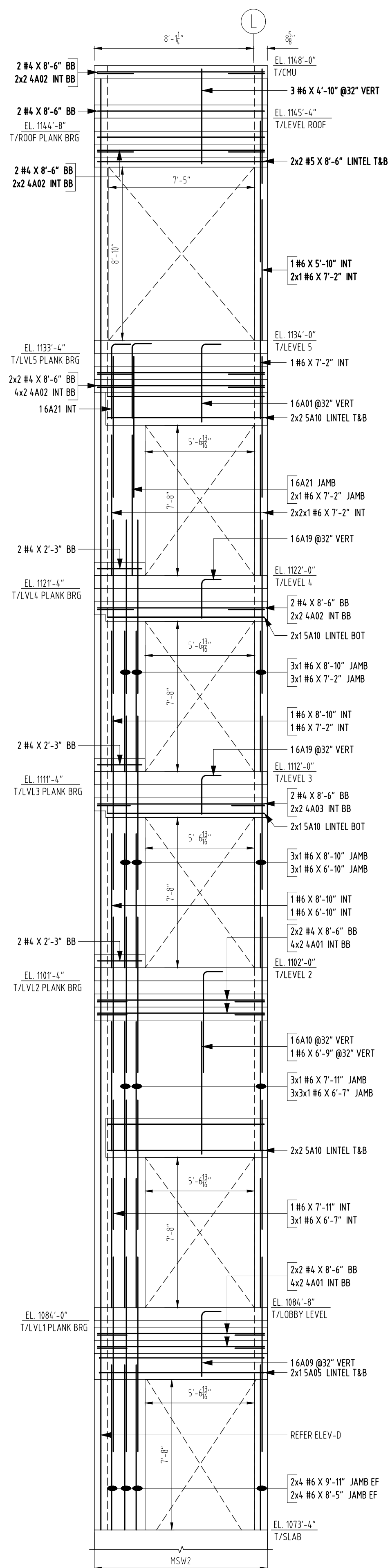
State/City:

Drawn by: WES

Check by: RK

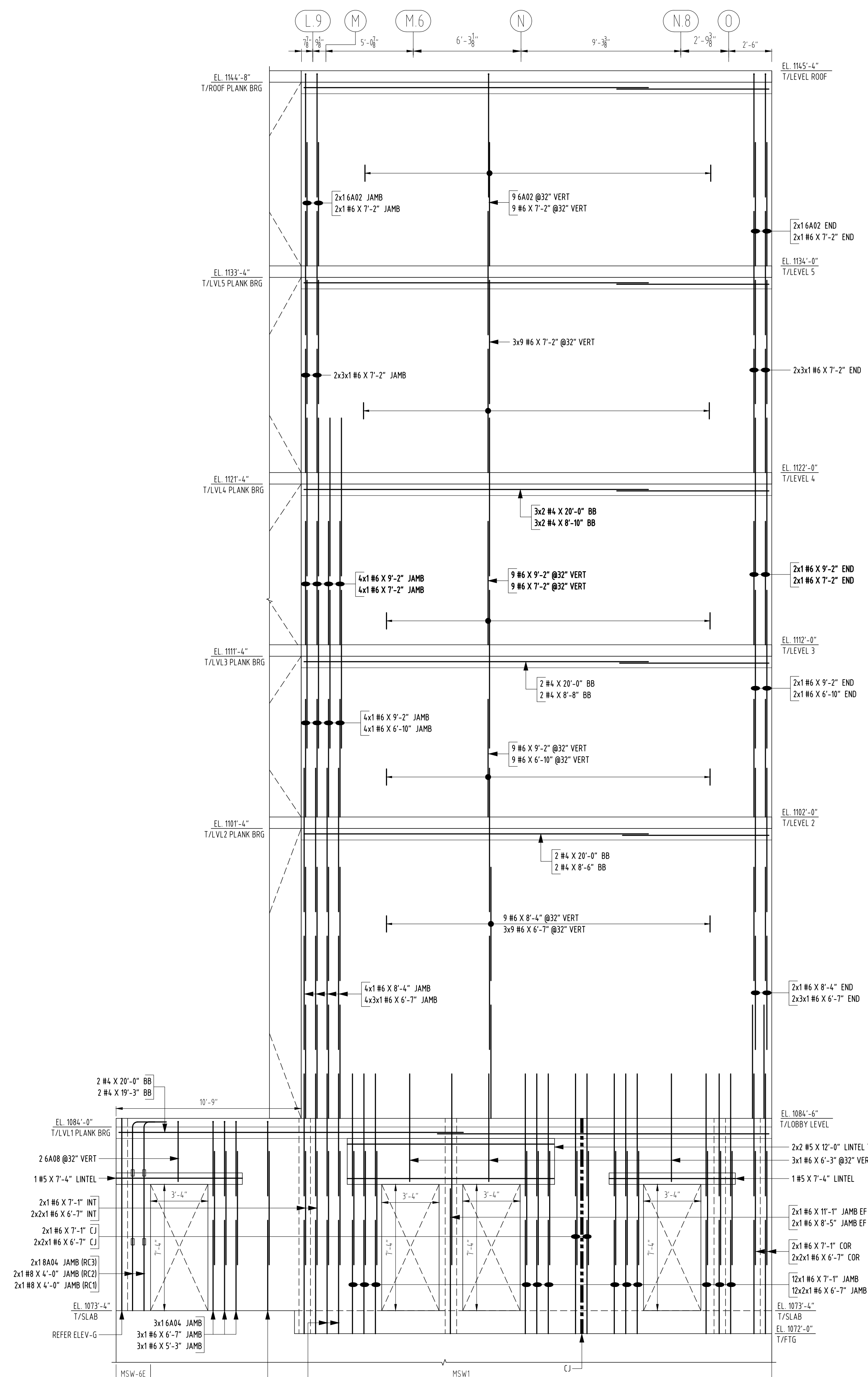
Revision: 2

Date: 04/09/26



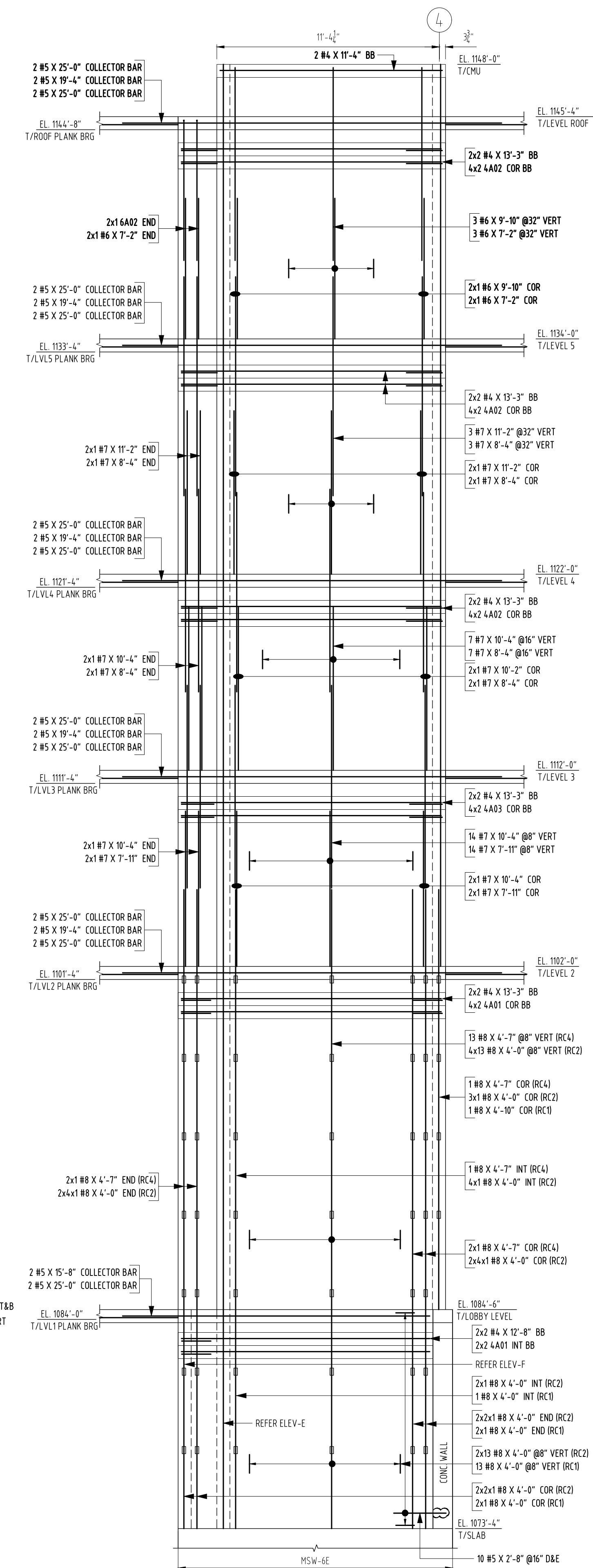
ELEVATION-E

SCALE: 1/4"=1'-0"  
SDR: A101,A102,A103,A104,A105,A106  
S004,S100,S101,S102,S103,S104,S105



ELEVATION-F

SCALE: 1/4"=1'-0"  
SDR: A101,A102,A103,A104,A105,A106  
S004,S100,S101,S102,S103,S104,S105



ELEVATION-G

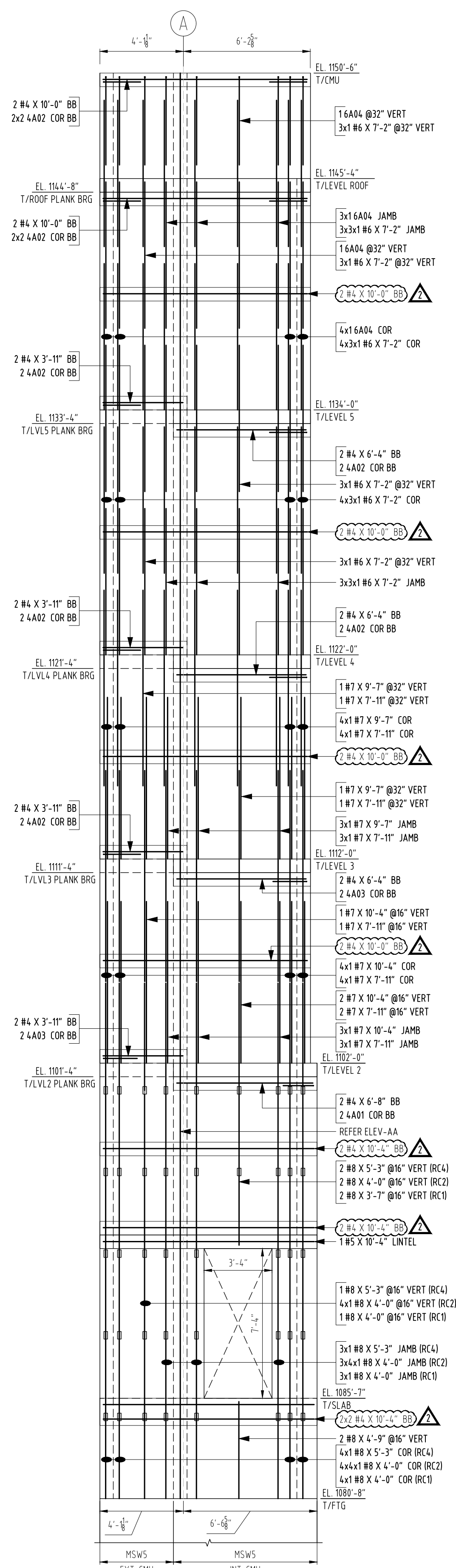
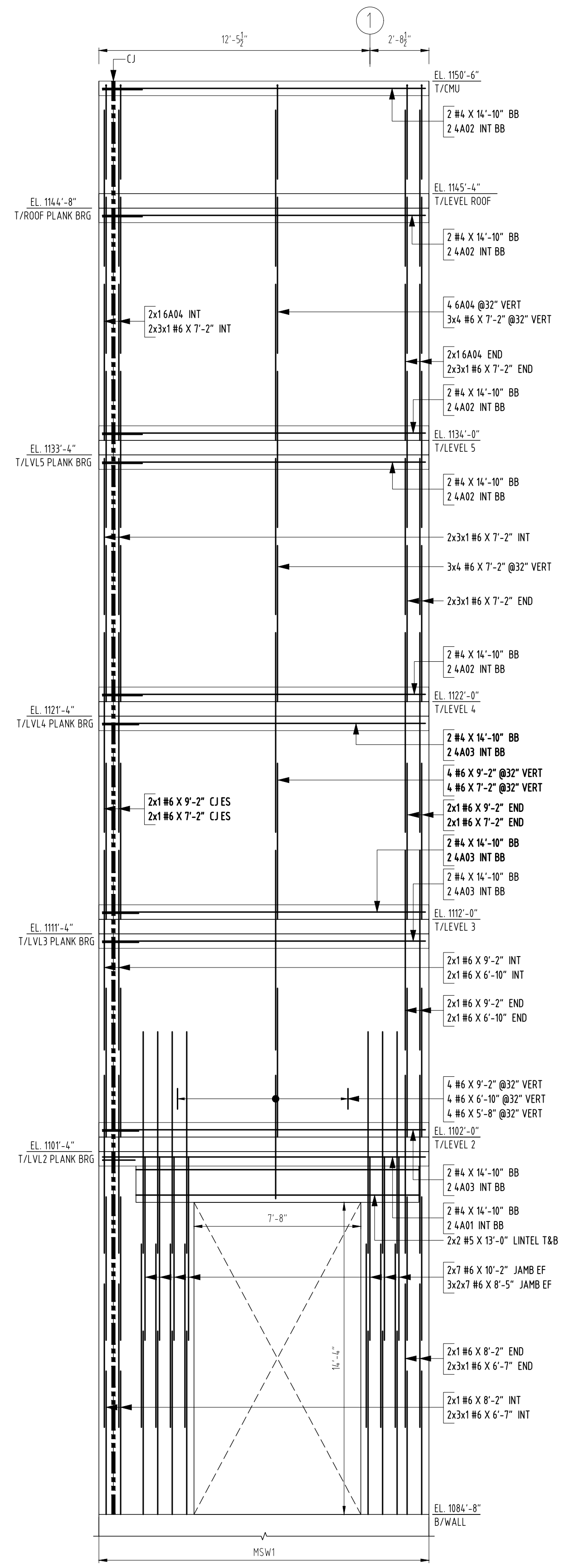
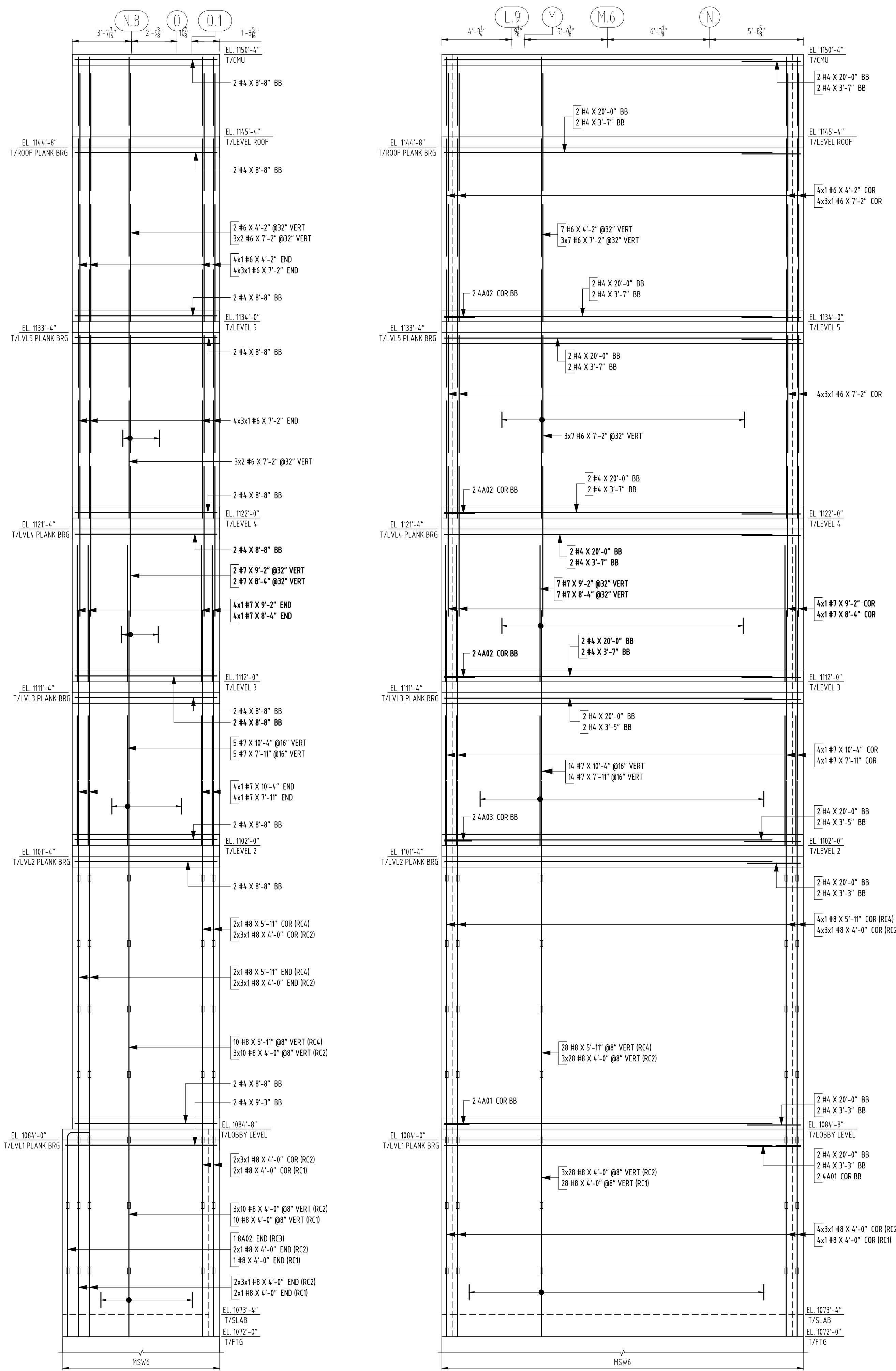
SCALE: 1/4"=1'-0"  
SDR: A101,A102,A103,A104,A105,A106  
S004,S100,S101,S102,S103,S104,S105

FOR FABRICATION

ASTM 615 - GR 60 - BLK

R01H

Project:  
 Client:  
 Level: FDN TO ROOF  
 Description: CMU WALLS  
 Location: GA 30075



**FOR FABRICATION**  
 ASTM 615 - GR 60 - BLK

**R01J**

Branch:  
 Phone:  
 Address:  
 State/City:  
 Drawn by: WES  
 Check by: RK  
 Revision: 2  
 Date: 04/09/26

Project:

Client:

Level: FDN TO ROOF

Description: CMU WALLS

Location: GA 30075

Branch:

Phone:

Address:

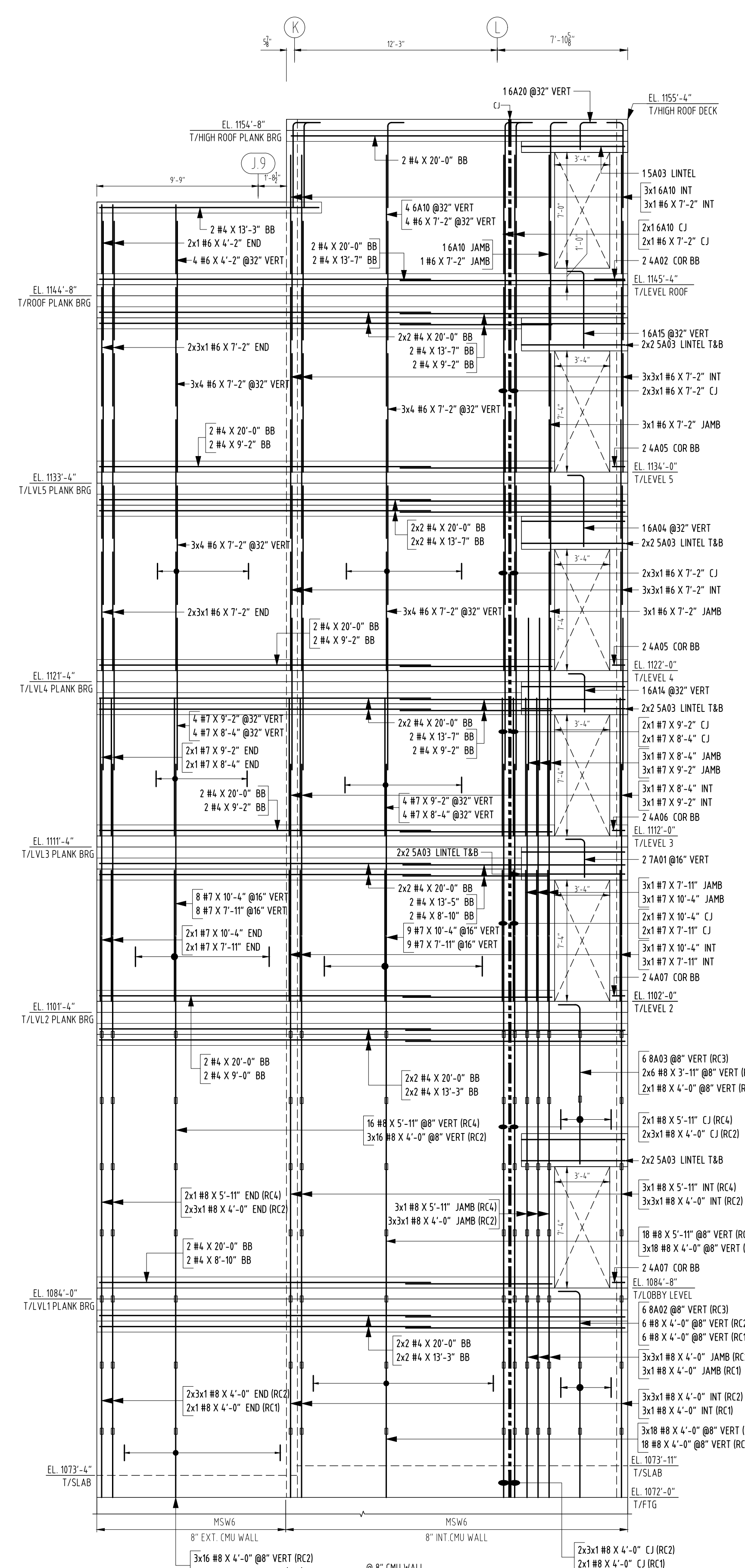
State/City:

Drawn by: WES

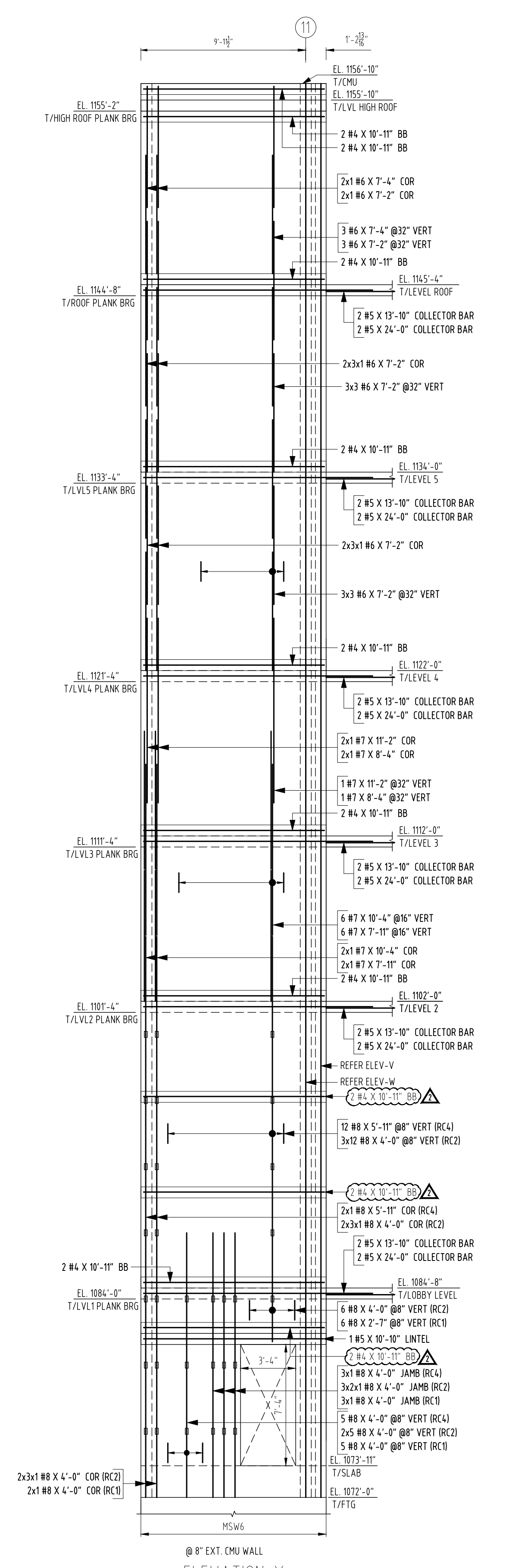
Check by: RK

Revision: 2

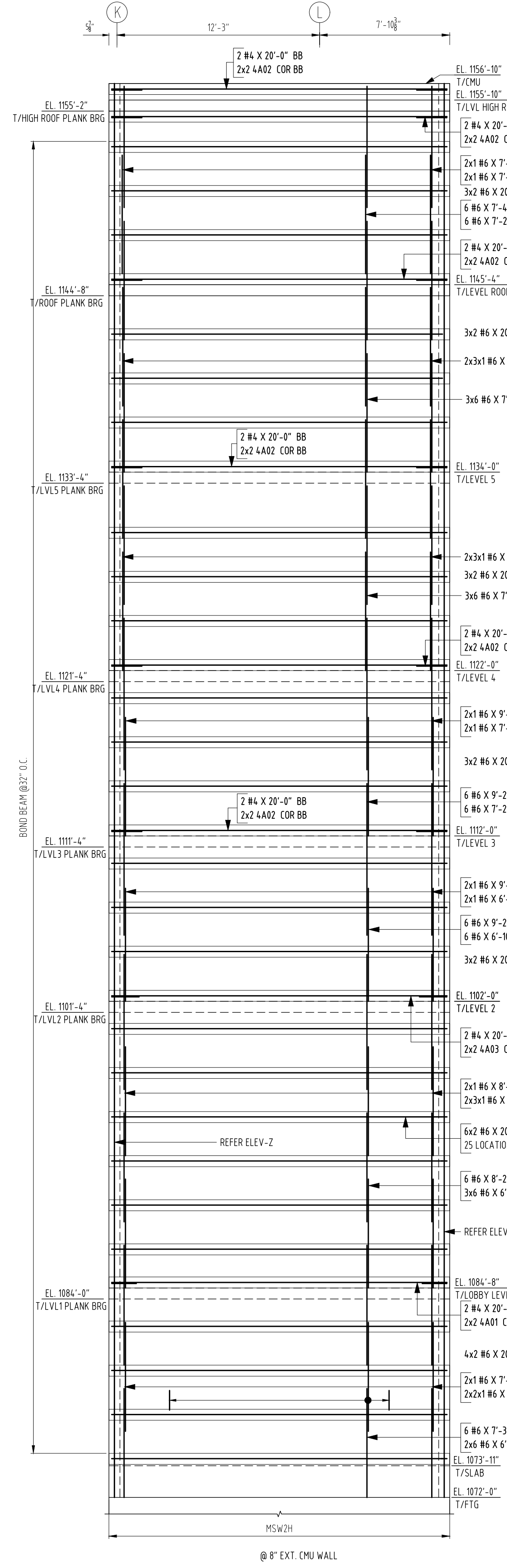
Date: 04/09/26



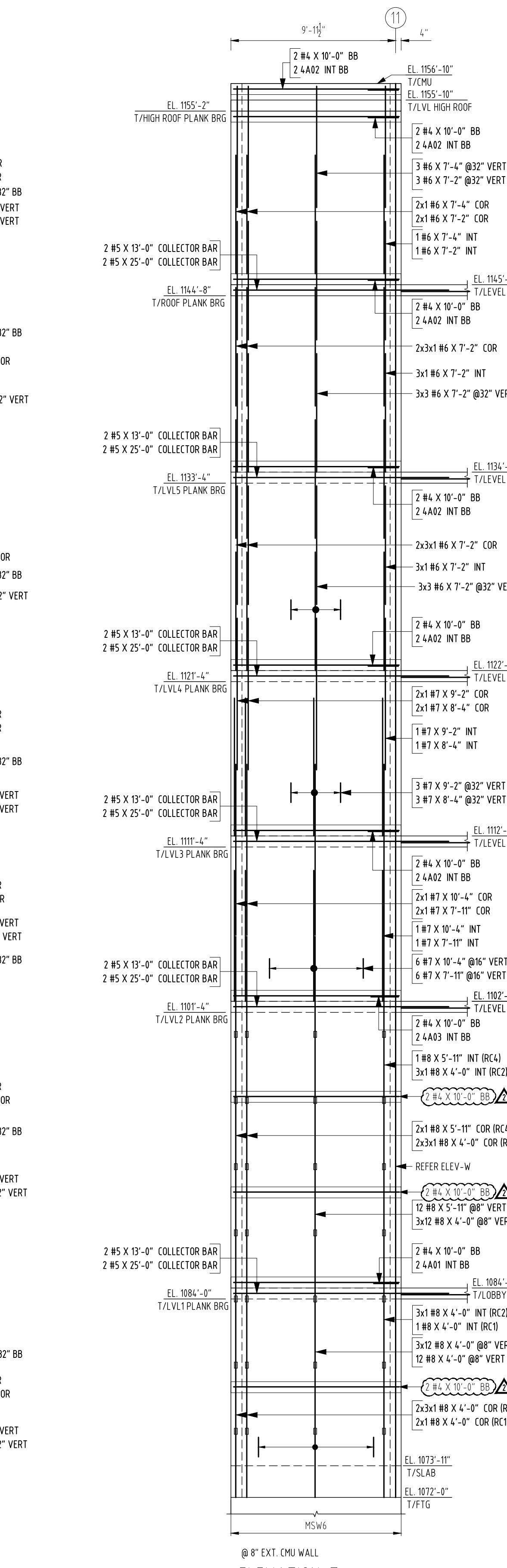
**ELEVATION-X**  
 SCALE: 1/5"=1'-0"  
 SDR: A101,A102,A103,A104,A105,A106  
 S004,S100,S101,S102,S103,S104,S105



**ELEVATION-Y**  
 SCALE: 1/5"=1'-0"  
 SDR: A101,A102,A103,A104,A105,A106  
 S004,S100,S101,S102,S103,S104,S105



**ELEVATION-Z**  
 SCALE: 1/5"=1'-0"  
 SDR: A101,A102,A103,A104,A105,A106  
 S004,S100,S101,S102,S103,S104,S105

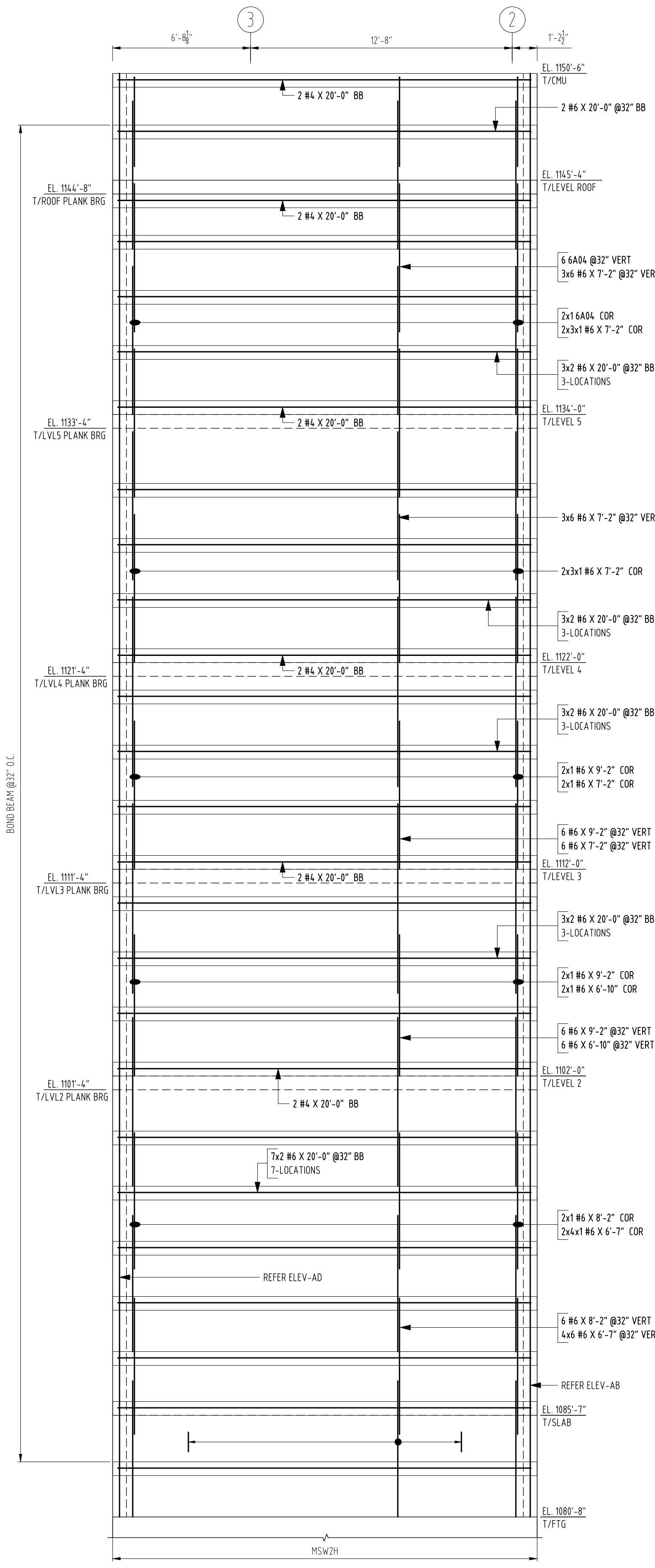


**ELEVATION-W**  
 SCALE: 1/5"=1'-0"  
 SDR: A101,A102,A103,A104,A105,A106  
 S004,S100,S101,S102,S103,S104,S105

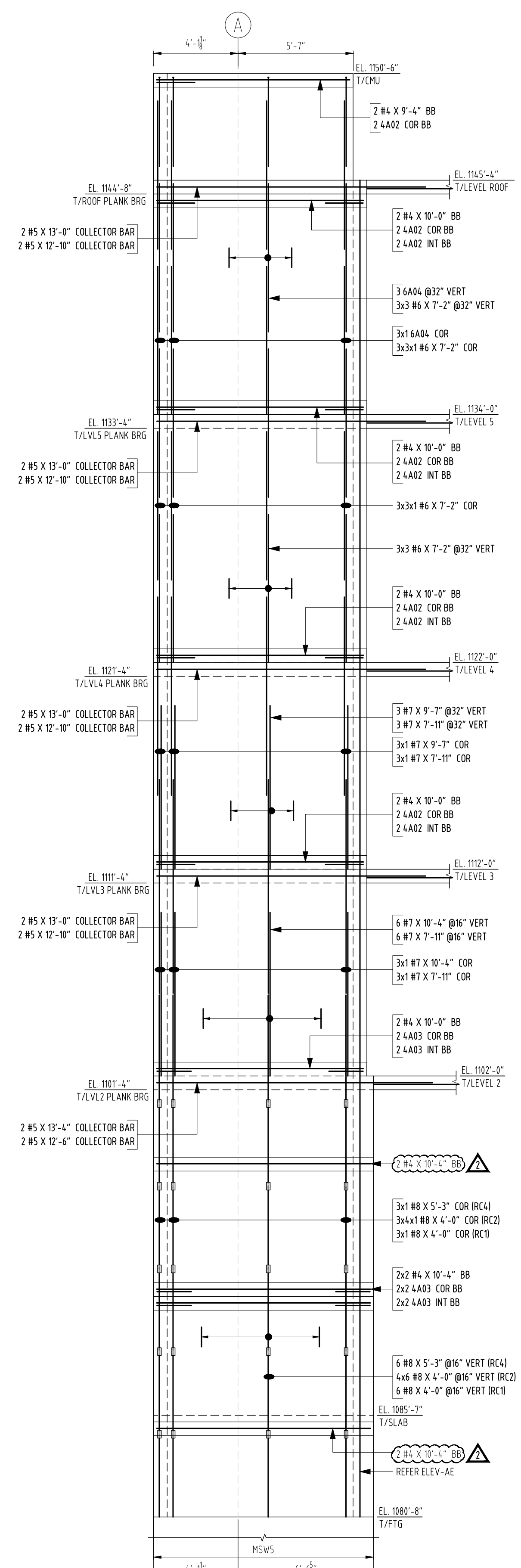
**FOR FABRICATION**

ASTM 615 - GR 60 - BLK

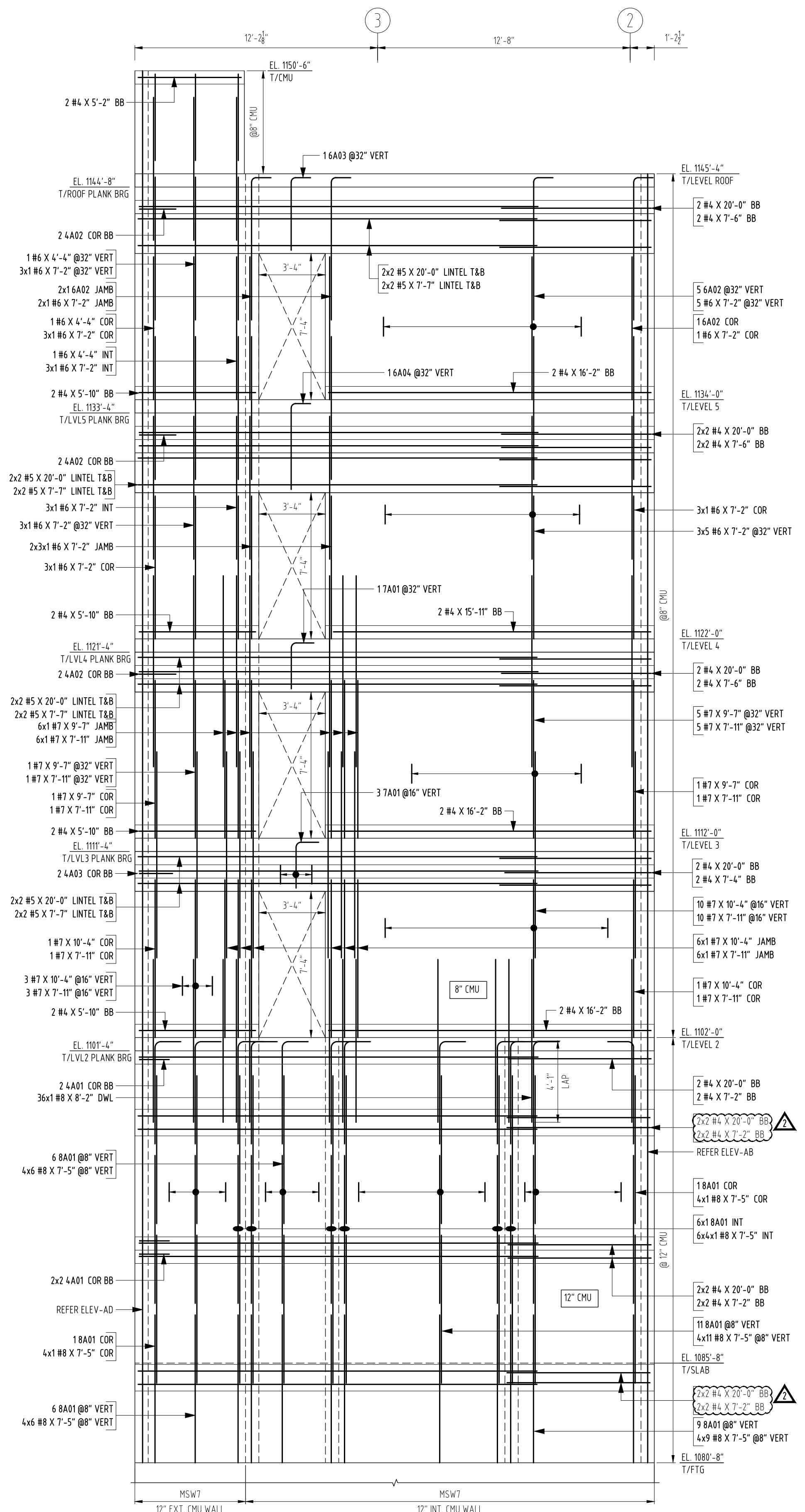
# R01K



@ 8" EXT. CMU WALL  
**ELEVATION-AC**  
 SCALE: 1/4"=1'-0"  
 SDR: A102,A103,A104,A105,A106  
 S004,S101,S102,S103,S104,S105



@ 8" EXT. CMU WALL  
**ELEVATION-AD**  
 SCALE: 1/4"=1'-0"  
 SDR: A102,A103,A104,A105,A106  
 S004,S101,S102,S103,S104,S105



@ 12" & @ 8" CMU WALL  
**ELEVATION-AE**  
 SCALE: 1/4"=1'-0"  
 SDR: A102,A103,A104,A105,A106  
 S004,S101,S102,S103,S104,S105

**FOR FABRICATION**  
 ASTM 615 - GR 60 - BLK

Project:  
 Client:  
 Level: **FDN TO ROOF**  
 Description: **CMU WALLS**  
 Location: **GA 30075**

Branch:  
 Phone:  
 Address:  
 State/City:  
 Drawn by: **WES**  
 Check by: **RK**  
 Revision: **2**  
 Date: **04/09/26**

**R01L**

Project:

Client:

Level: FDN TO ROOF

Description: CMU WALLS

Location: GA 30075

Branch:

Phone:

Address:

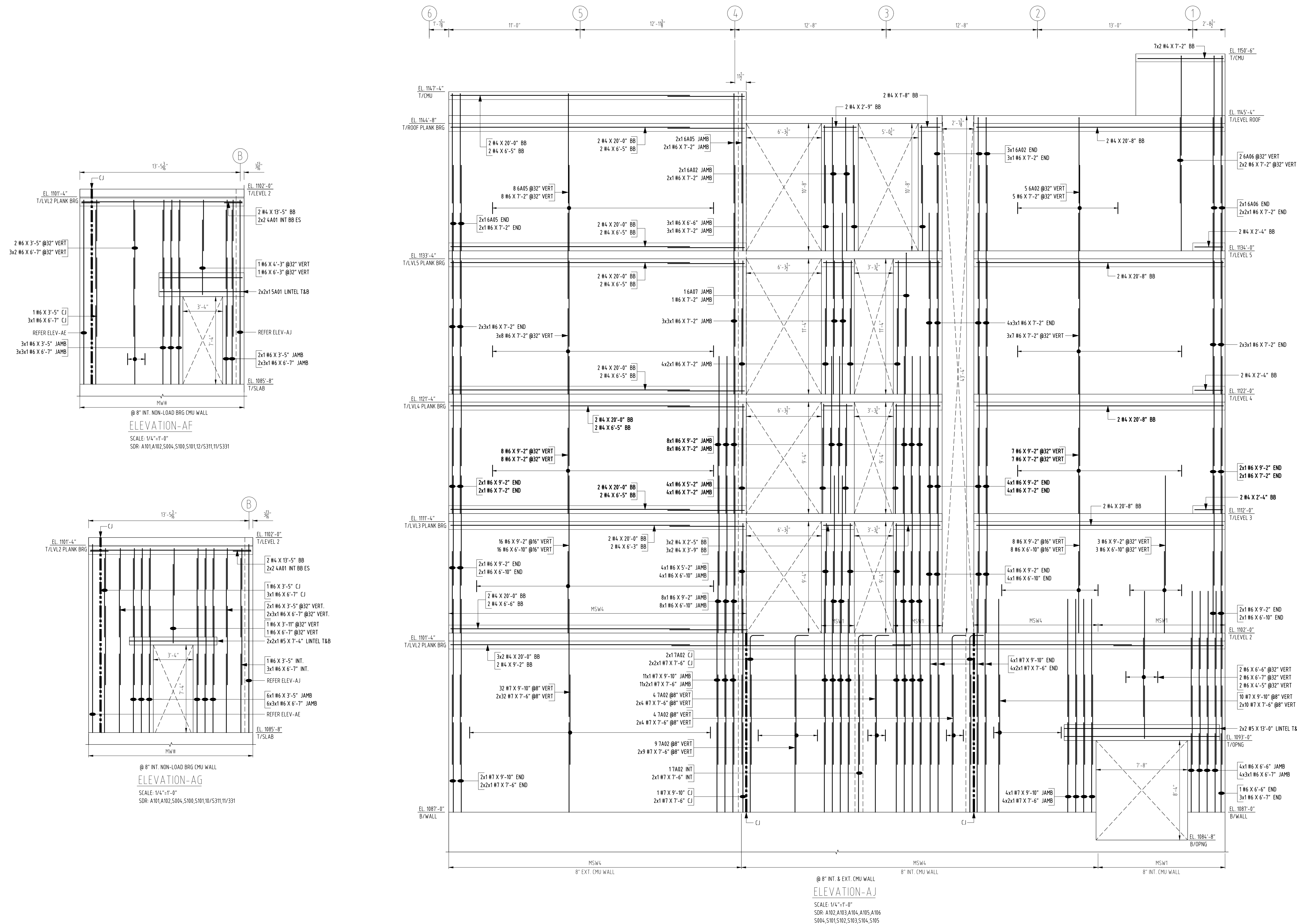
State/City:

Drawn by: WES

Check by: RK

Revision: 2

Date: 04/09/26



**FOR FABRICATION**

ASTM 615 - GR 60 - BLK

# R01M

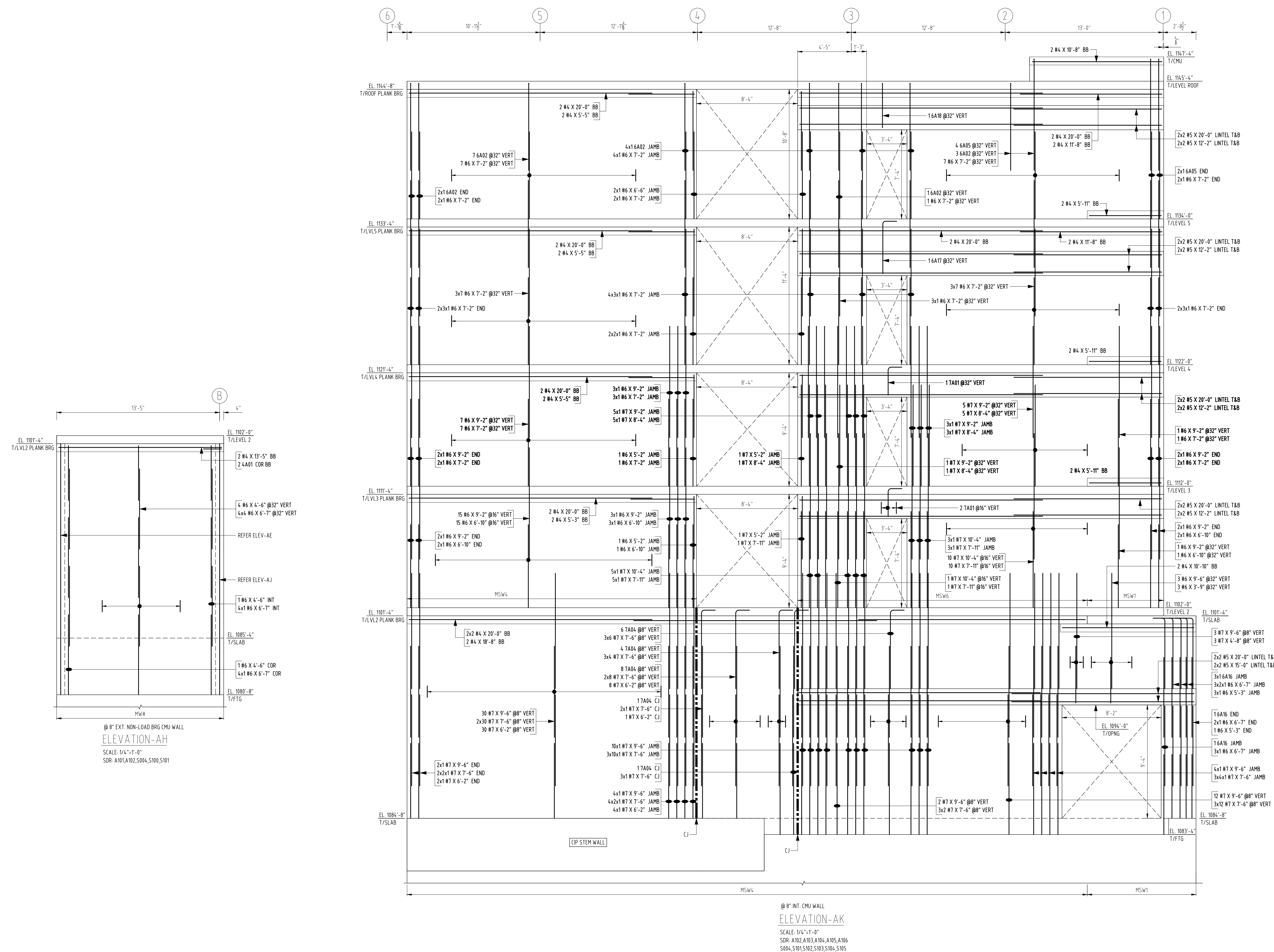
Project:

Client:

Level: FDN TO ROOF

Description: CMU WALLS

Location: GA 30075



ELEVATION-AH  
SCALE: 1/4"=1'-0"  
SDR: A101, A102, S004, S100, S101

ELEVATION-AK  
SCALE: 1/4"=1'-0"  
SDR: A102, A103, A104, A105, A106  
S004, S101, S102, S103, S104, S105

Branch:

Phone:

Address:

State/City:

Drawn by: WES

Check by: RK

Revision: 2

Date: 04/09/26

FOR FABRICATION

ASTM 615 - GR 60 - BLK

R01N

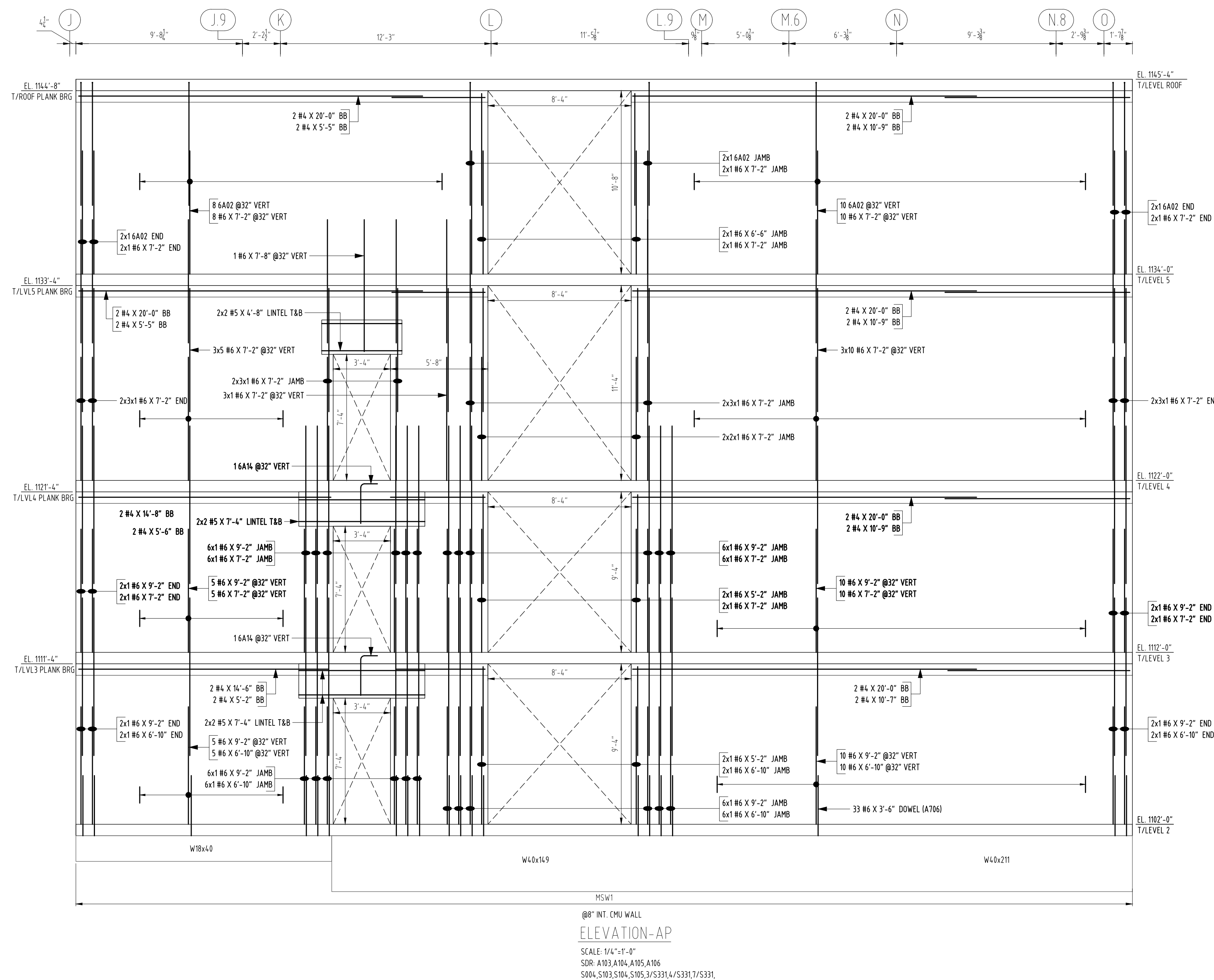
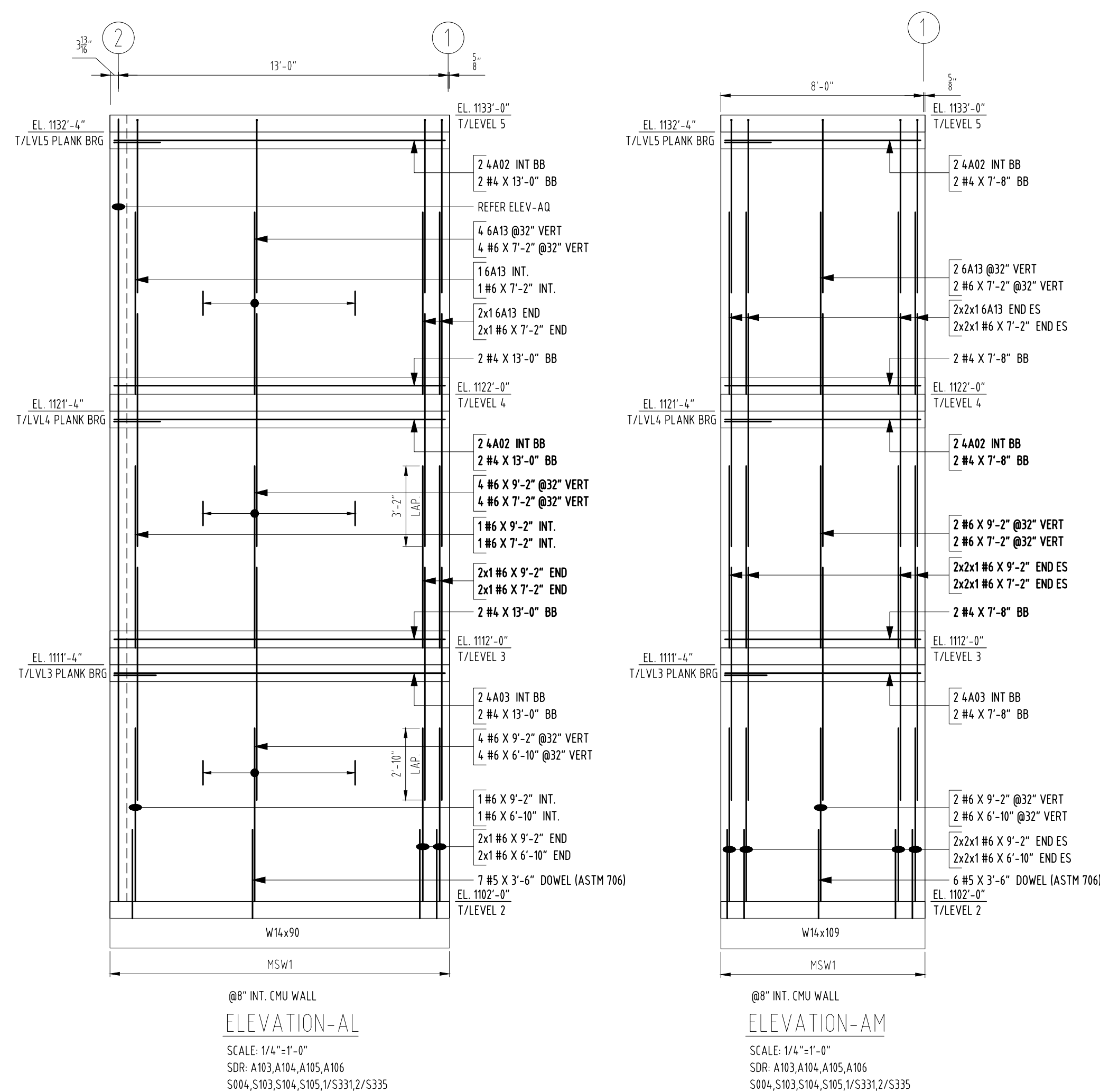
Project:

Client:

Level: FDN TO ROOF

Description: CMU WALLS

Location: GA 30075



Branch:

Phone:

Address:

State/City:

Drawn by: WES

Check by: RK

Revision: 2

Date: 04/09/26

**FOR FABRICATION**

ASTM 615 - GR 60 - BLK

# R01P

Project:

Client:

Level: FDN TO ROOF

Description: CMU WALLS

Location: GA 30075

Branch:

Phone:

Address:

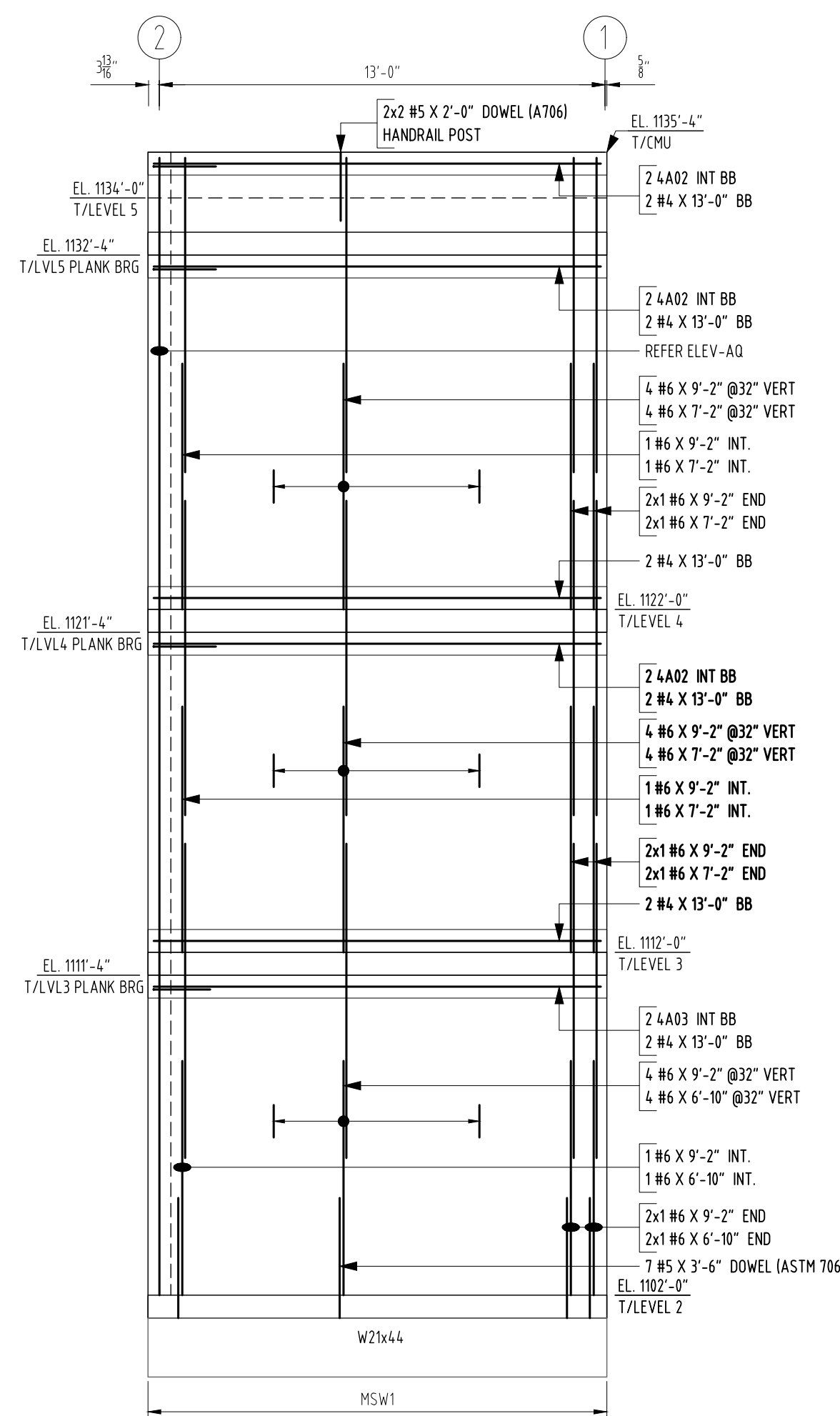
State/City:

Drawn by: WES

Check by: RK

Revision: 2

Date: 04/09/26

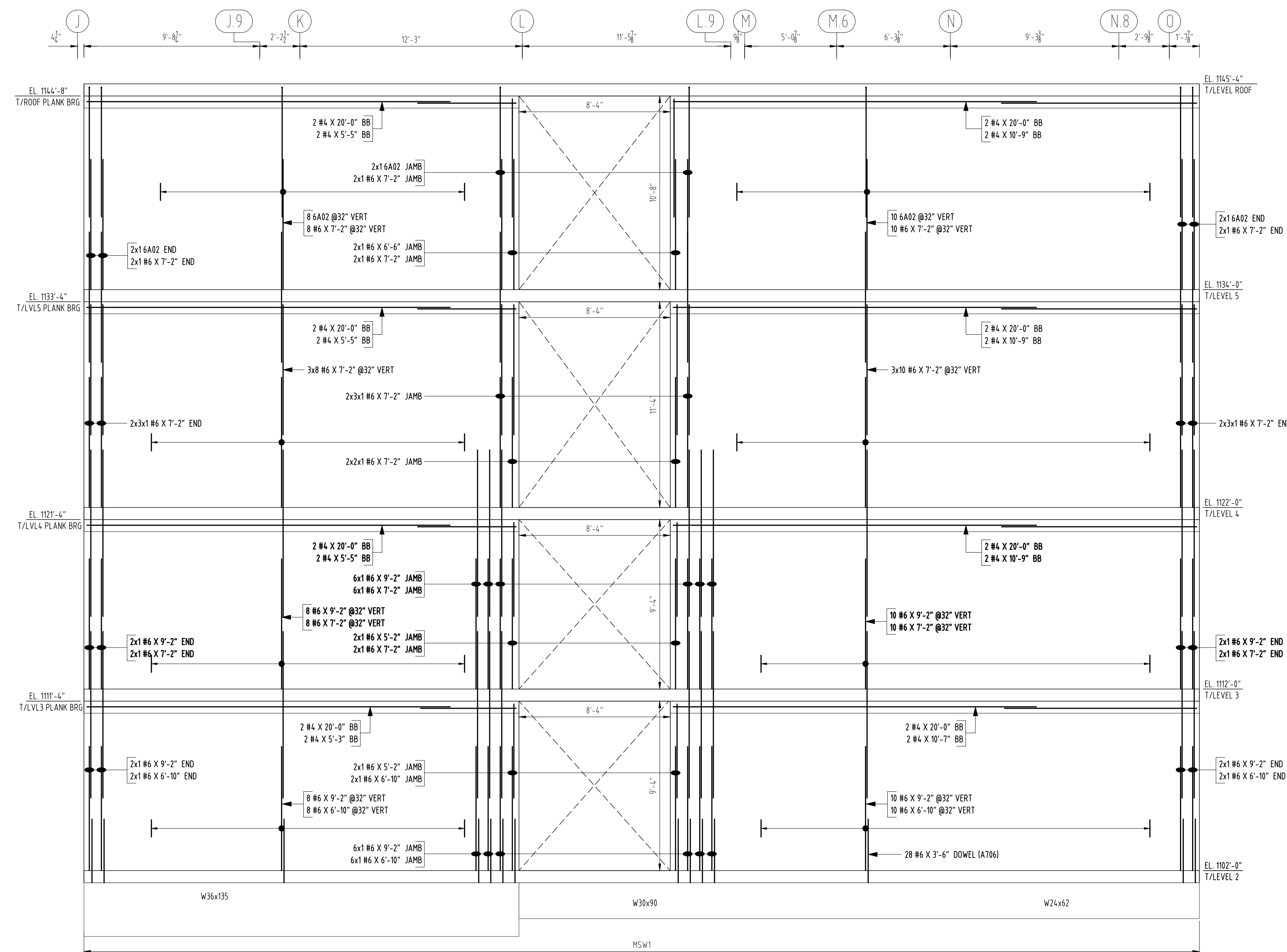


ELEVATION-AN

SCALE: 1/4"=1'-0"

SDR: A103,A104,A105,A106,3/A523

S004,S103,S104,S105,1/S331,2/S335

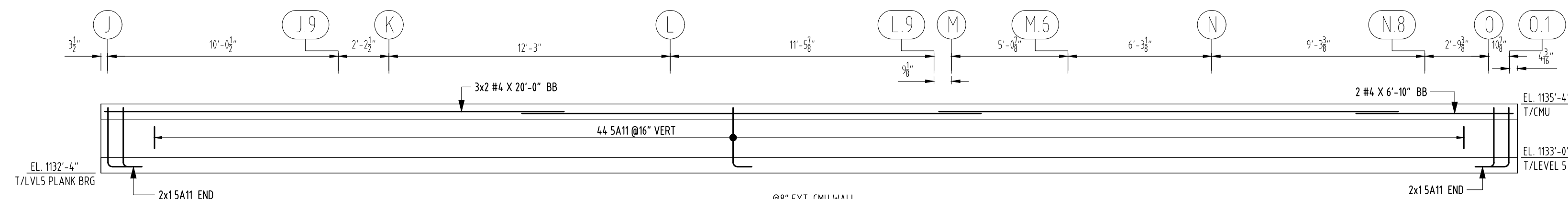


ELEVATION-AQ

SCALE: 1/4"=1'-0"

SDR: A103,A104,A105,A106

S004,S103,S104,S105,3/S331,4/S331,7/S331



ELEVATION-AQ1

SCALE: 1/4"=1'-0"

SDR: A105,S104,11/A520,3/S335

FOR FABRICATION

ASTM 615 - GR 60 - BLK

R01Q

Project:

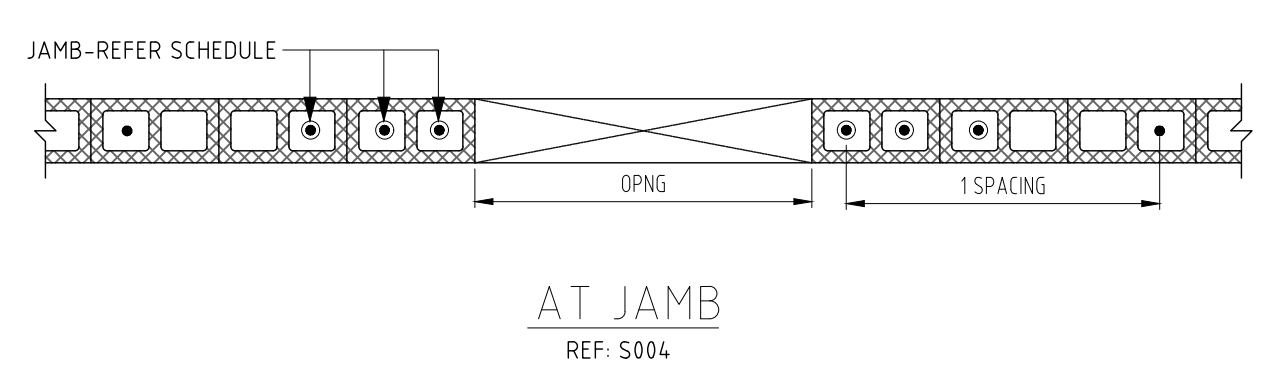
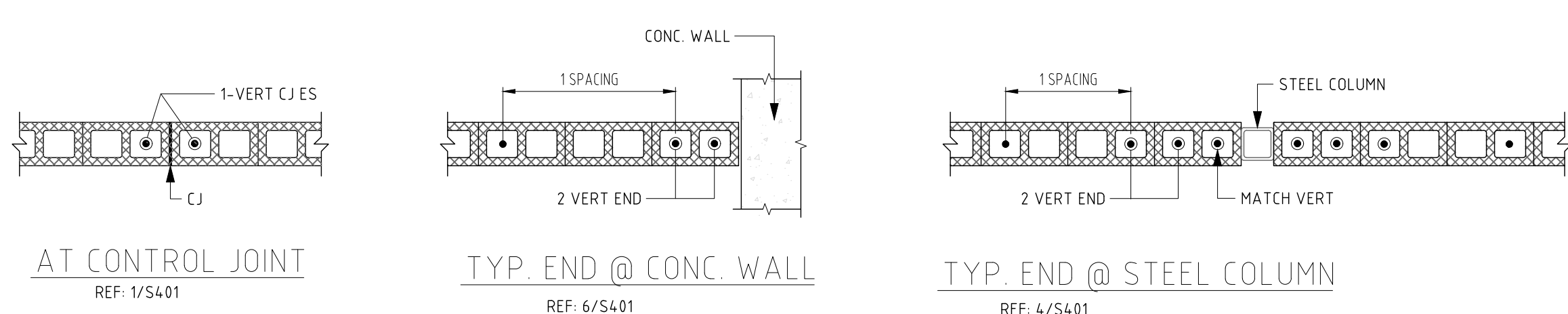
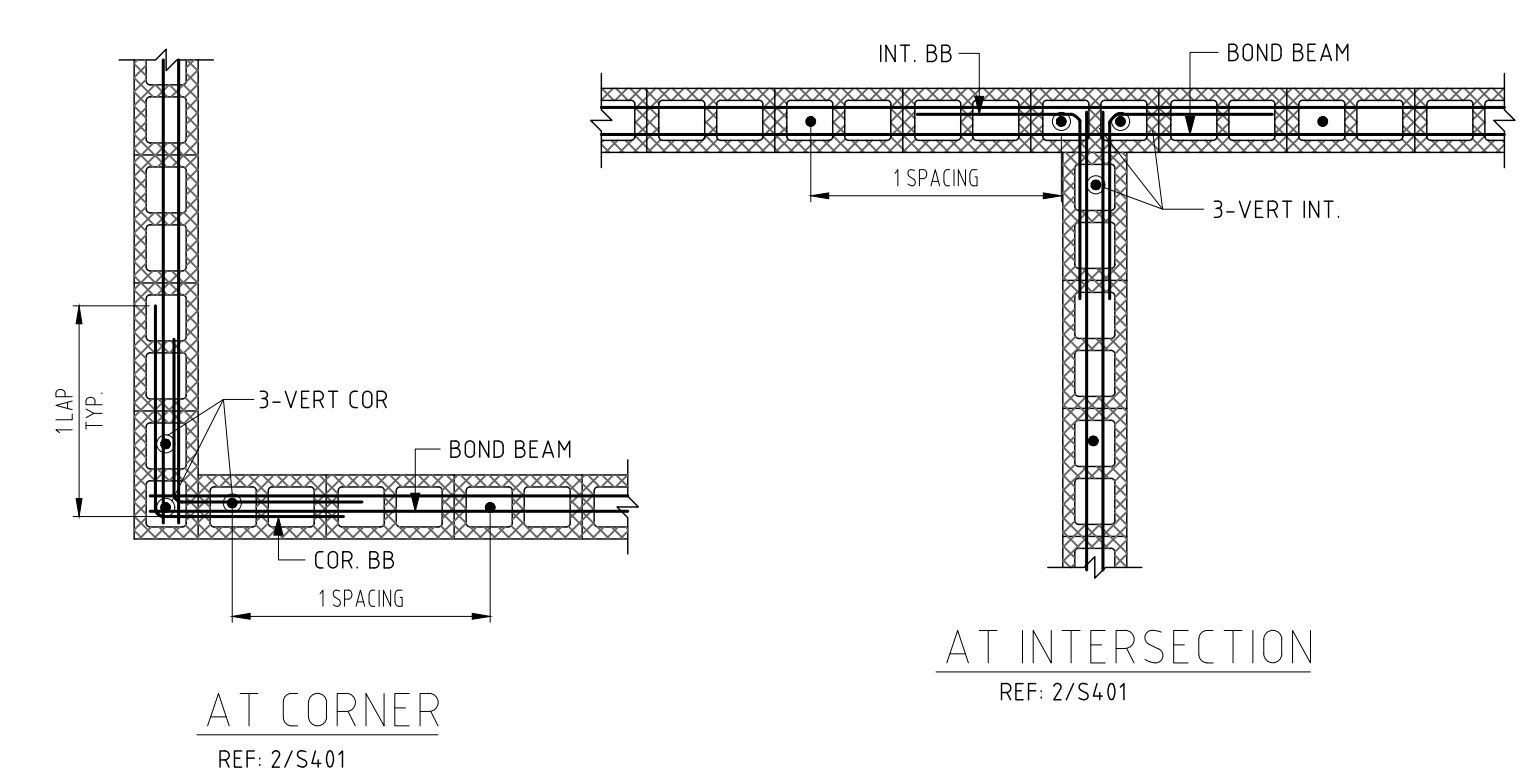
Client:

Level: FDN TO ROOF

Description: CMU WALLS

Location: GA 30075

TYPICAL MASONRY WALL DETAIL  
SCALE - 1/2"=1'-0"

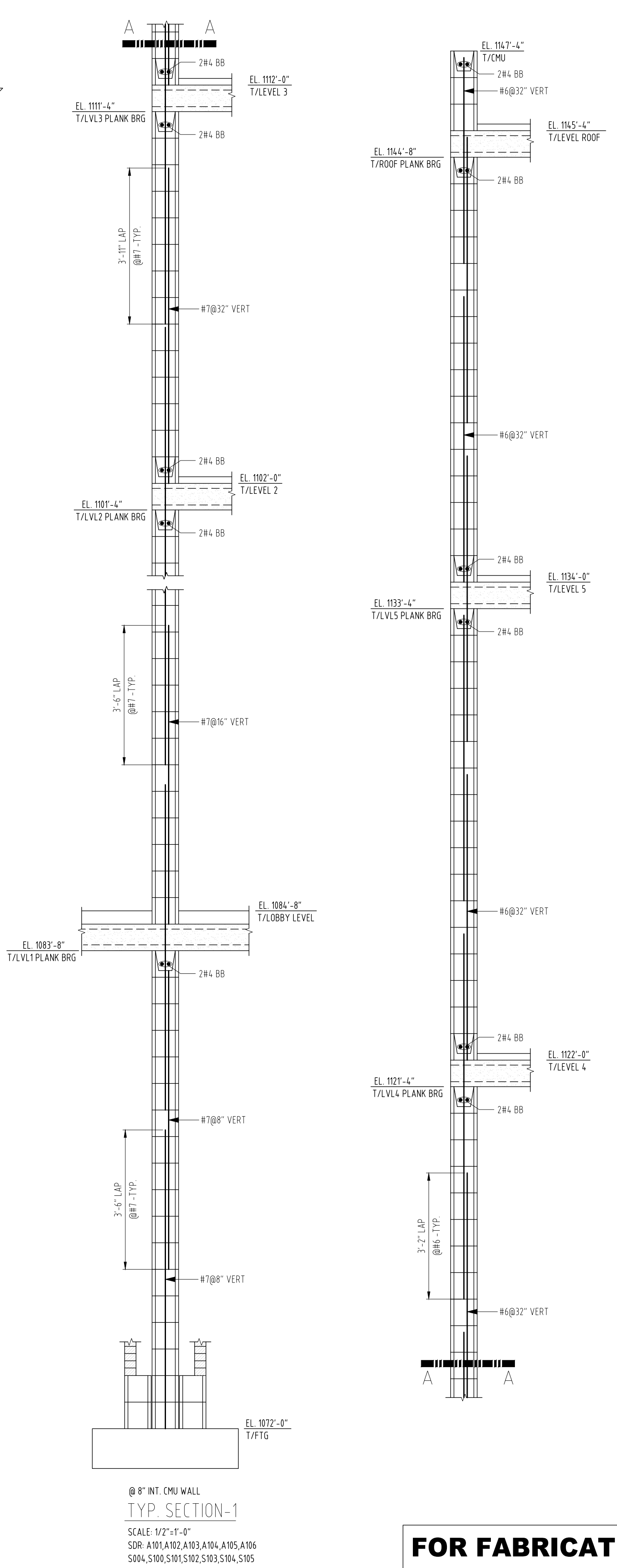
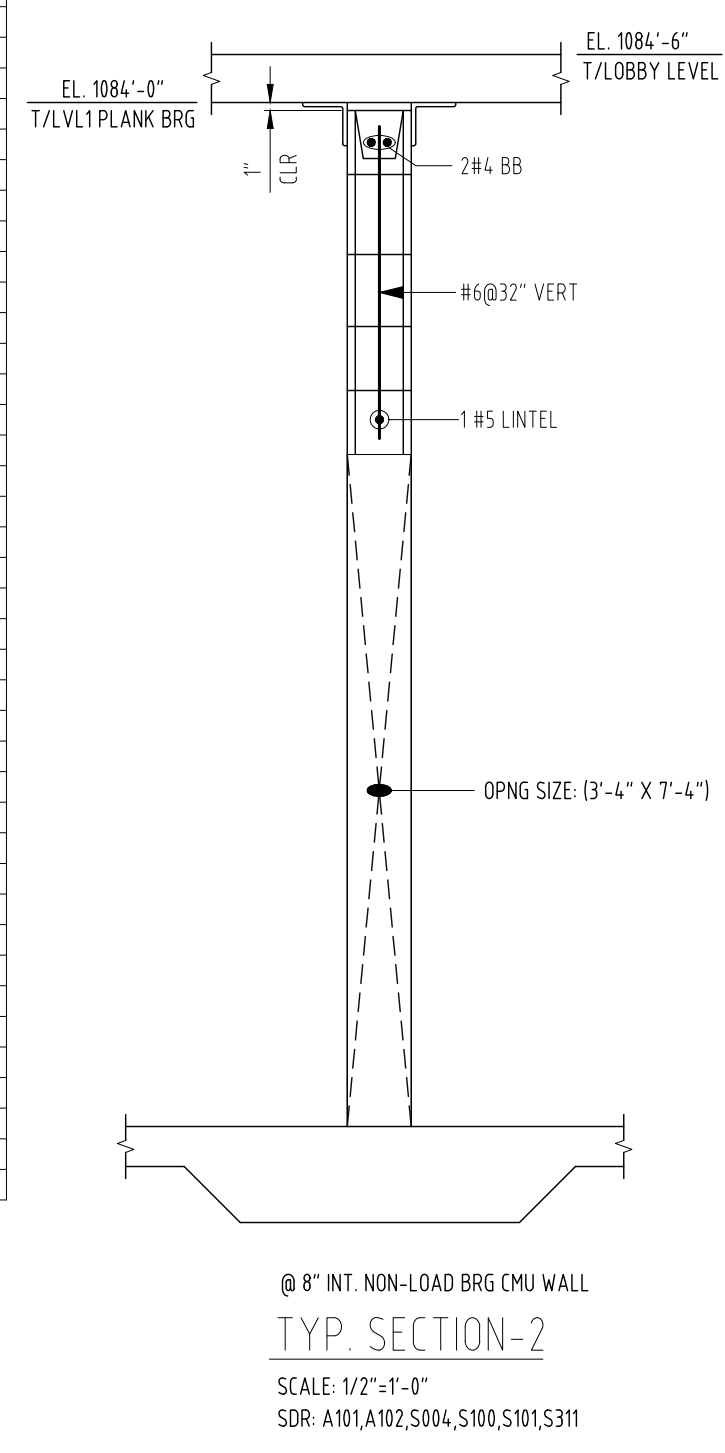
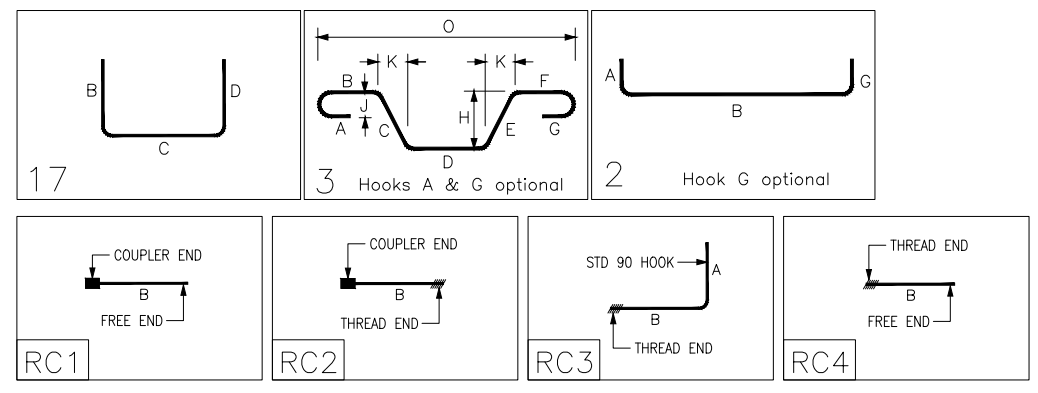
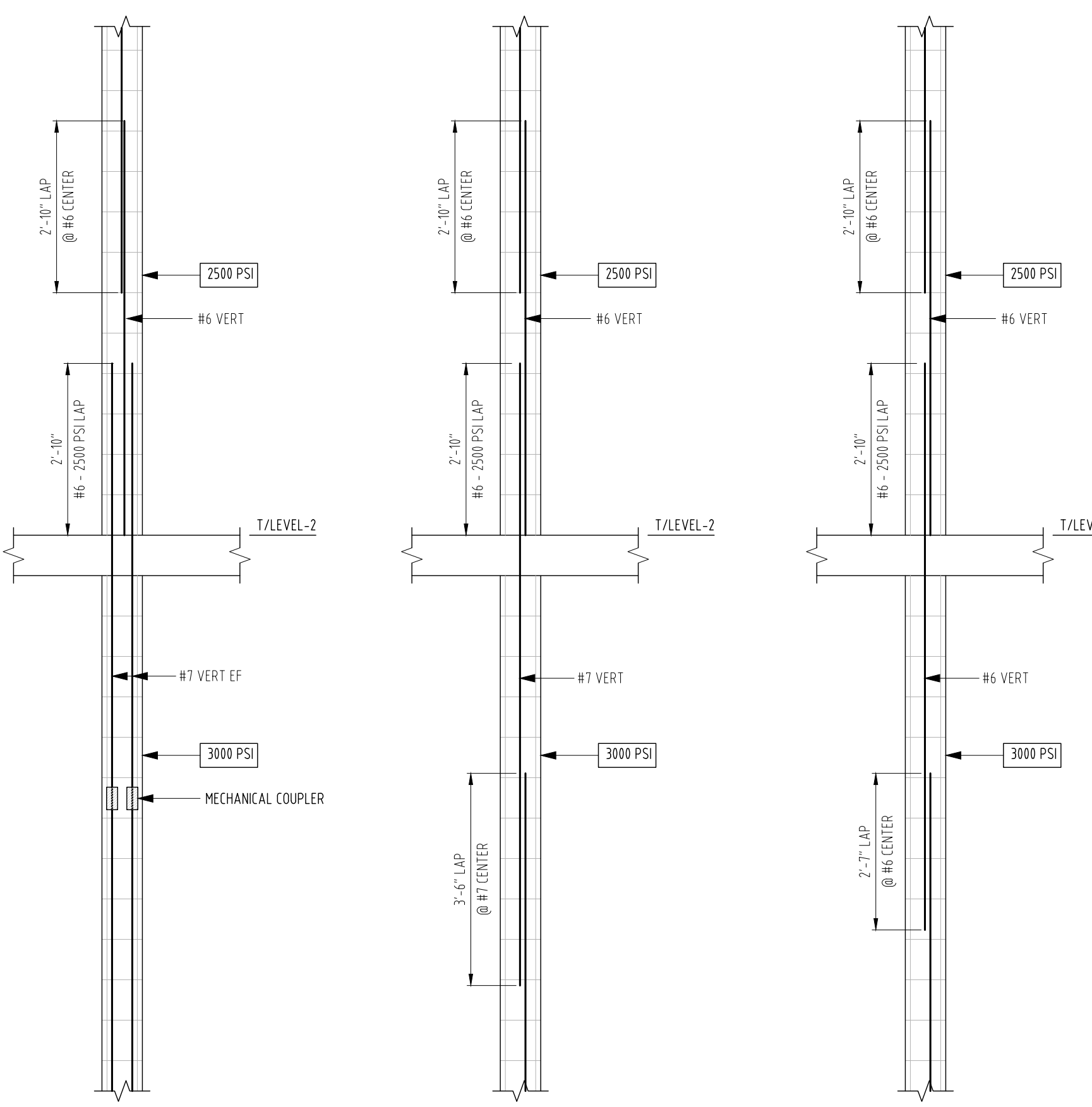


LAP SCHEDULE			LAP SCHEDULE			LAP SCHEDULE			LAP SCHEDULE		
F'm = 2000 psi (8" CMU)			F'm = 2500 psi (8" CMU)			F'm = 3000 psi (8" CMU)			F'm = 3000 psi (12" CMU)		
BAR SIZE	1 BAR/CELL	2 BARS/CELL	BAR SIZE	1 BAR/CELL	2 BARS/CELL	BAR SIZE	1 BAR/CELL	2 BARS/CELL	BAR SIZE	1 BAR/CELL	2 BARS/CELL
#3	1'-0"	1'-1"	#3	1'-0"	1'-0"	#3	1'-0"	1'-0"	#3	1'-0"	1'-0"
#4	1'-1"	1'-10"	#4	1'-0"	1'-10"	#4	1'-0"	1'-6"	#4	1'-0"	1'-6"
#5	1'-8"	2'-11"	#5	1'-6"	2'-7"	#5	1'-4"	2'-4"	#5	1'-0"	2'-4"
#6	3'-2"	M	#6	2'-10"	4'-10"	#6	2'-7"	4'-5"	#6	1'-8"	4'-5"
#7	4'-4"	M	#7	3'-11"	M	#7	3'-6"	M	#7	2'-3"	M
#8	M	M	#8	M	M	#8	M	M	#8	3'-5"	M
									#9	4'-4"	M
									#10	M	M
									#11	M	M

REFER LAP SCHEDULE - S004

Drawing Sheet: R01

Bar Mark	Qty	Size	Total Length	Type	X'	Y'	Z'	W'	V'	U'	T'	S'	R'	Q'	P'
4A01	90	#4	3'-0"	17											
4A02	180	#4	3'-8"	17											
4A03	60	#4	3'-4"	17											
4A04	2	#4	2'-11"	3											
4A05	4	#4	2'-5"	17											
4A06	2	#4	2'-5"	17											
4A07	4	#4	2'-5"	17											
5A01	4	#5	7'-8"	2											
5A02	1	#5	7'-0"	2											
5A03	22	#5	7'-11"	2											
5A04	1	#5	6'-11"	2											
5A05	2	#5	10'-11"	2											
5A06	1	#5	13'-4"	2											
5A07	1	#5	6'-10"	2											
5A08	4	#5	17'-2"	2											
5A09	1	#5	7'-2"	2											
5A10	12	#5	8'-10"	2											
5A11	40	#5	3'-5"	2											
6A01	1	#6	5'-2"	2											
6A02	15	#6	8'-2"	2											
6A03	1	#6	4'-8"	2											
6A04	37	#6	5'-4"	2											
6A05	18	#6	10'-2"	2											
6A06	4	#6	9'-4"	2											
6A07	1	#6	8'-10"	2											
6A08	2	#6	4'-4"	2											
6A09	1	#6	4'-4"	2											
6A10	43	#6	6'-2"	2											
6A11	1	#6	3'-10"	2											
6A12	8	#6	10'-10"	2											
6A13	13	#6	7'-10"	2											
6A14	3	#6	3'-4"	2											
6A15	1	#6	5'-8"	2											
6A16	5	#6	6'-10"	2											
6A17	1	#6	5'-4"	2											
6A18	1	#6	4'-10"	2											
6A19	2	#6	3'-0"	2											
6A20	1	#6	2'-8"	2											
6A21	2	#6	4'-10"	2											
7A01	8	#7	3'-4"	2											
7A02	20	#7	8'-0"	2											
7A03	12	#7	8'-4"	2											
7A04	20	#7	7'-8"	2											
8A01	40	#8	6'-4"	2											
8A02	7	#8	15'-10"	2											
8A03	4	#8	3'-2"	2											
8A04	2	#8	4'-4"	2											



**FOR FABRICATION**

ASTM 615 - GR 60 - BLK

**R01R**

Branch:

Phone:

Address:

State/City:

Drawn by: WES

Check by: RK

Revision: 2

Date: 04/09/26