

Project:
 Client:
 Level: FOUNDATION
 Description: FOUNDATION & SOG
 Location: GA 30132

Drawn by: WES
 Check by: RK
 Revision: 0
 Date: 12/19/25

FOUNDATION REBAR LAYOUT
 SCALE: 1/8"=1'-0"
 SDR: S-200,S-400,S-401,S-402,S-403,S-404

FOR APPROVAL
 ASTM 615 - GR 60 - BLK

R01

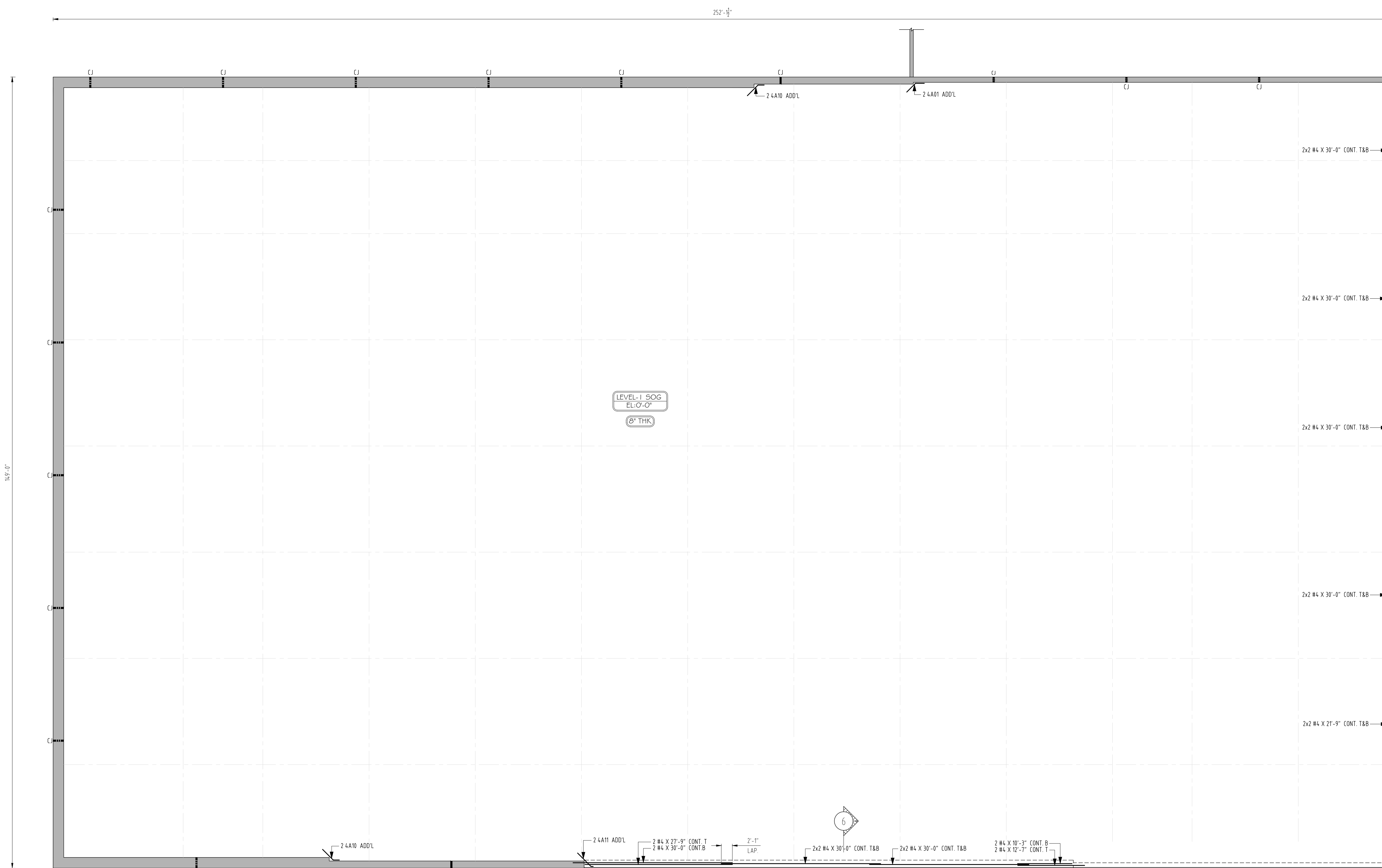
Project:

Client:

Level: FOUNDATION

Description: FOUNDATION & SOG

Location: GA 30132



SLAB ON GRADE REBAR LAYOUT

SCALE: 1/10"=1'-0"
SDR: S-200,S-400,S-401,S-402,S-403,S-404

FOUNDATION & WALL
LAP SCHEDULE

BAR DIA	TOP	OTHERS
#3	25"	19"
#4	33"	25"
#5	41"	32"
#6	48"	37"
#7	71"	55"
#8	81"	62"
#9	91"	70"
#10	102"	79"
#11	104"	80"

FOR APPROVAL

ASTM 615 - GR 60 - BLK

Drawn by: WES

Check by: RK

Revision: 0

Date: 12/19/25

R01B

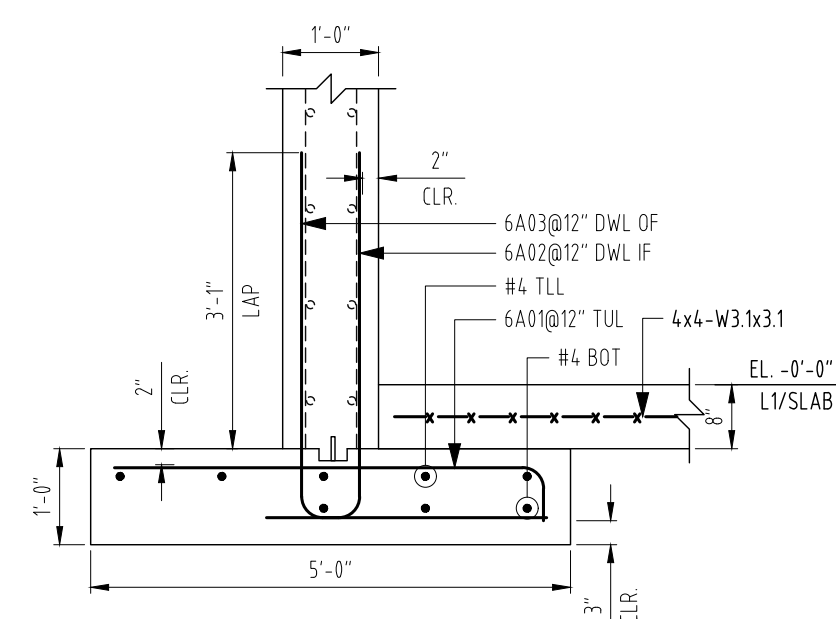
Project:

Client:

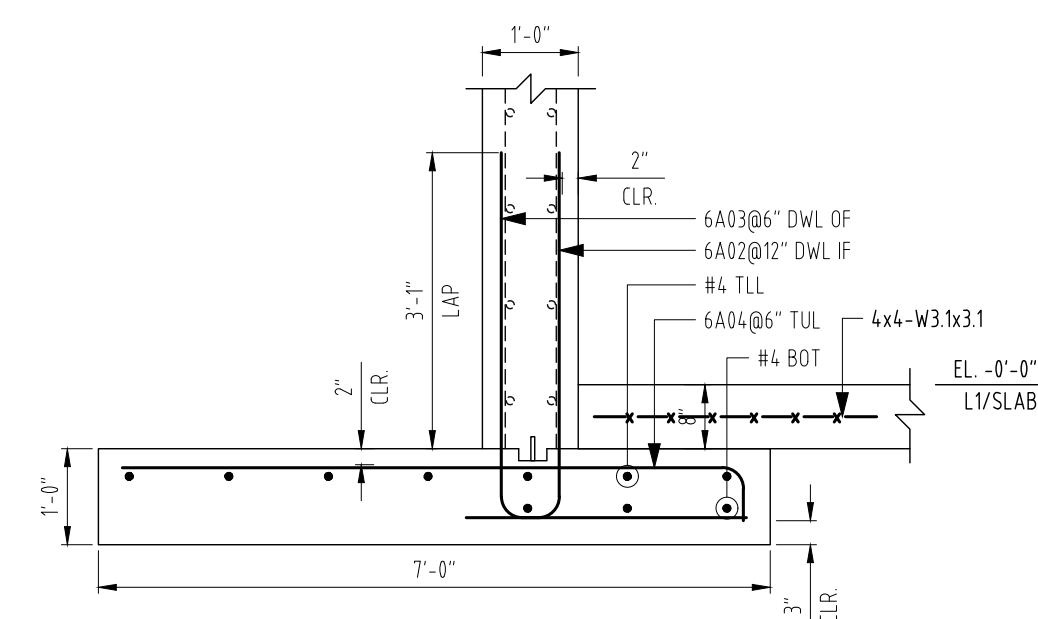
Level: FOUNDATION

Description: FOUNDATION & SOG

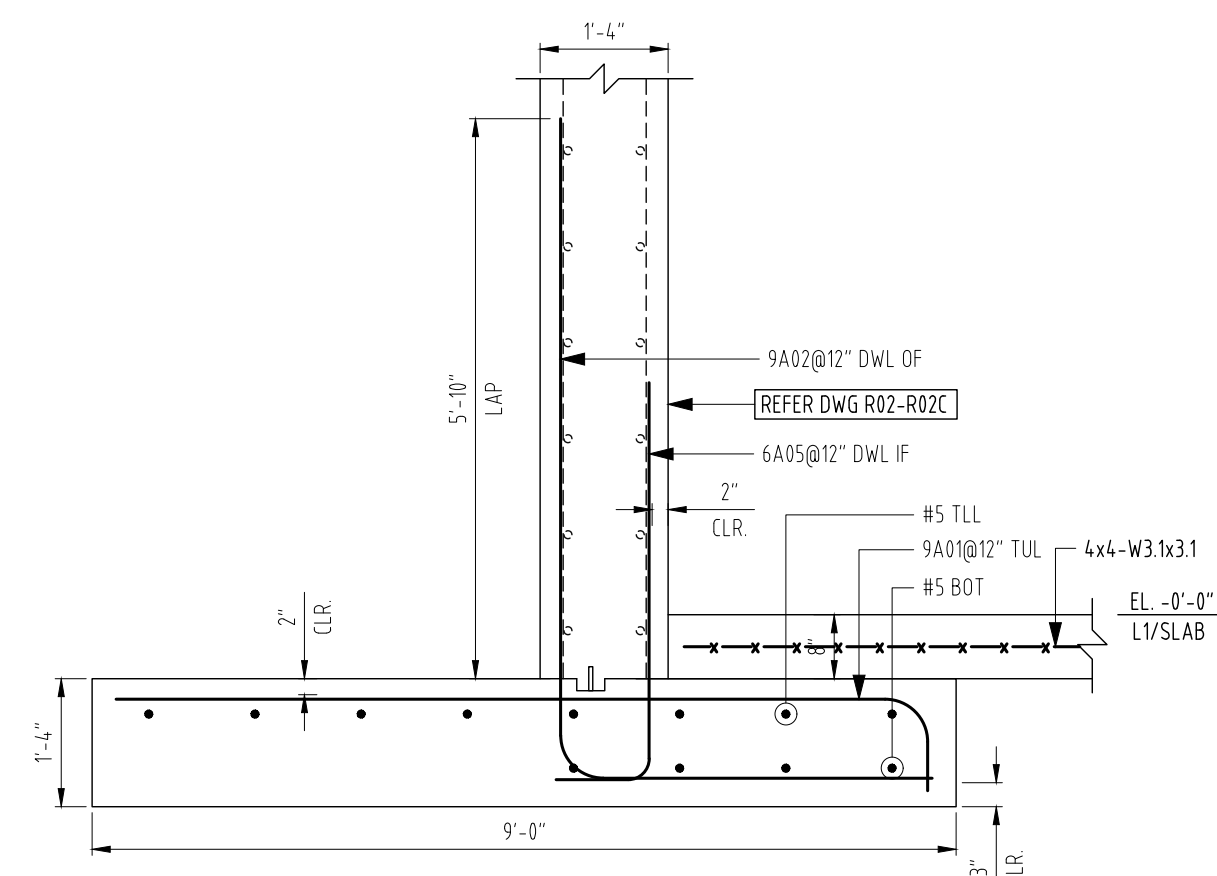
Location: GA 30132



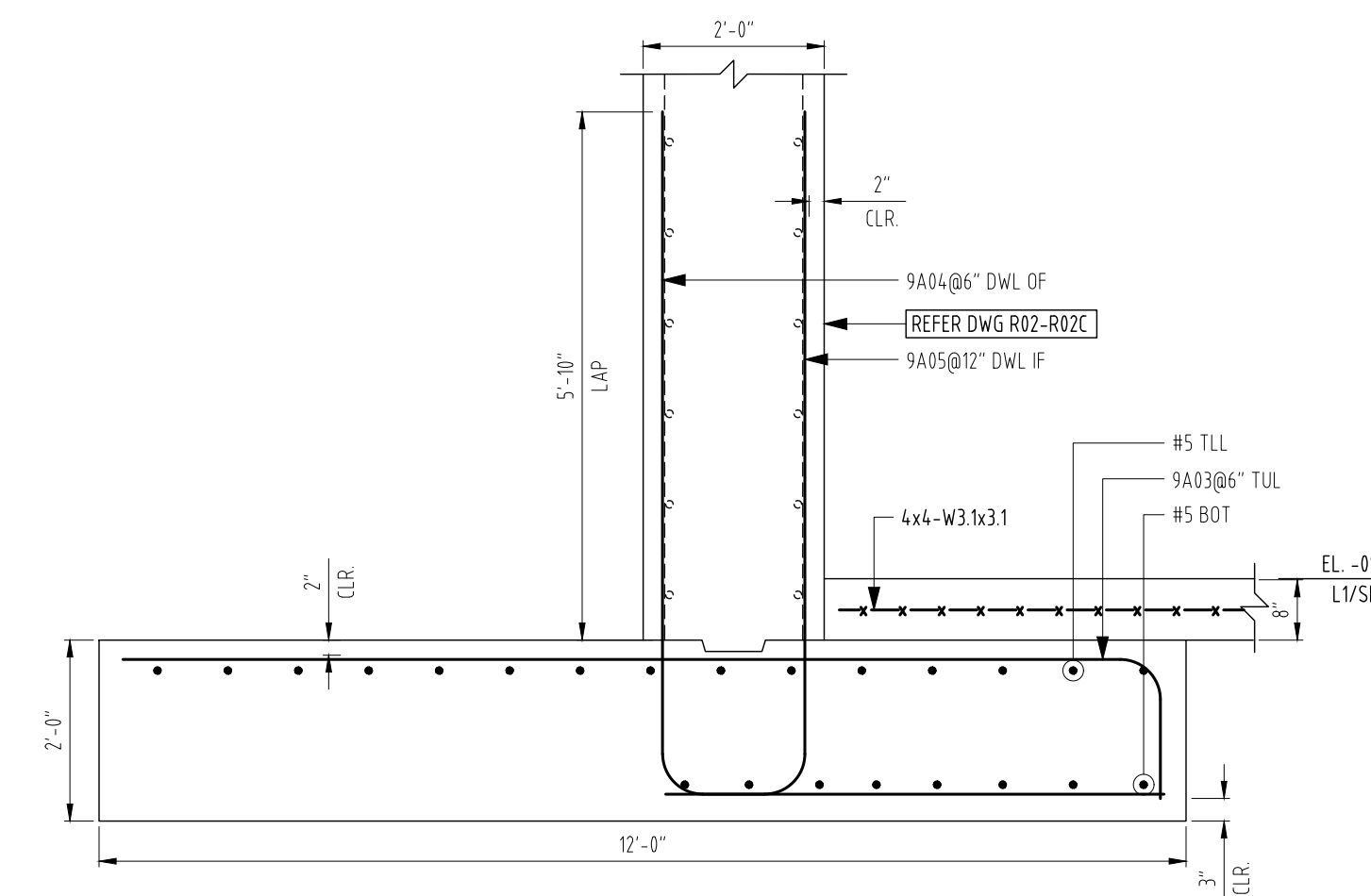
SECTION 1
SCALE: 1/2"=1'-0"
SDR: S200 & S403



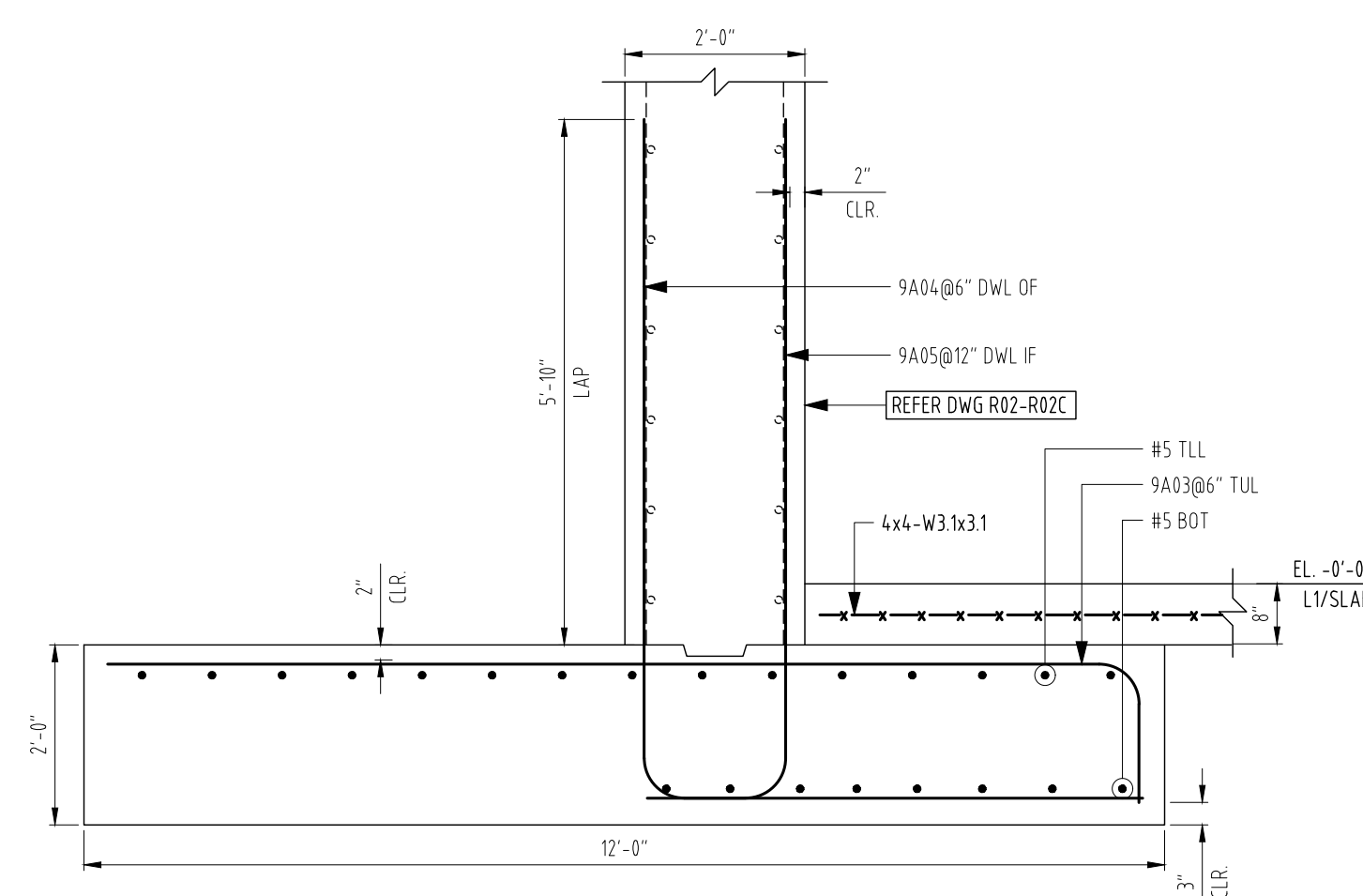
SECTION 2
SCALE: 1/2"=1'-0"
SDR: S200 & S402



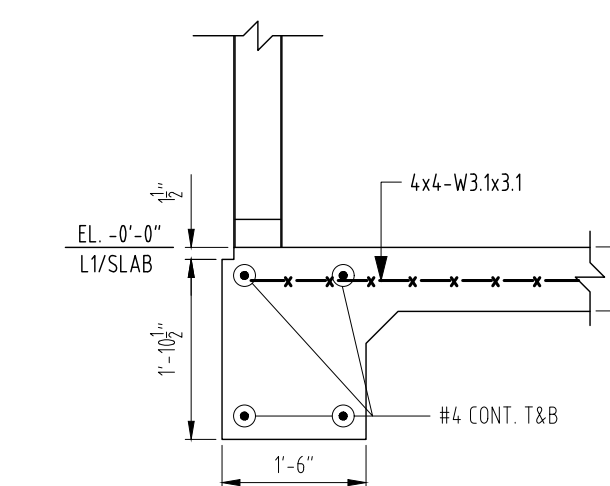
SECTION 3
SCALE: 1/2"=1'-0"
SDR: S200 & S402



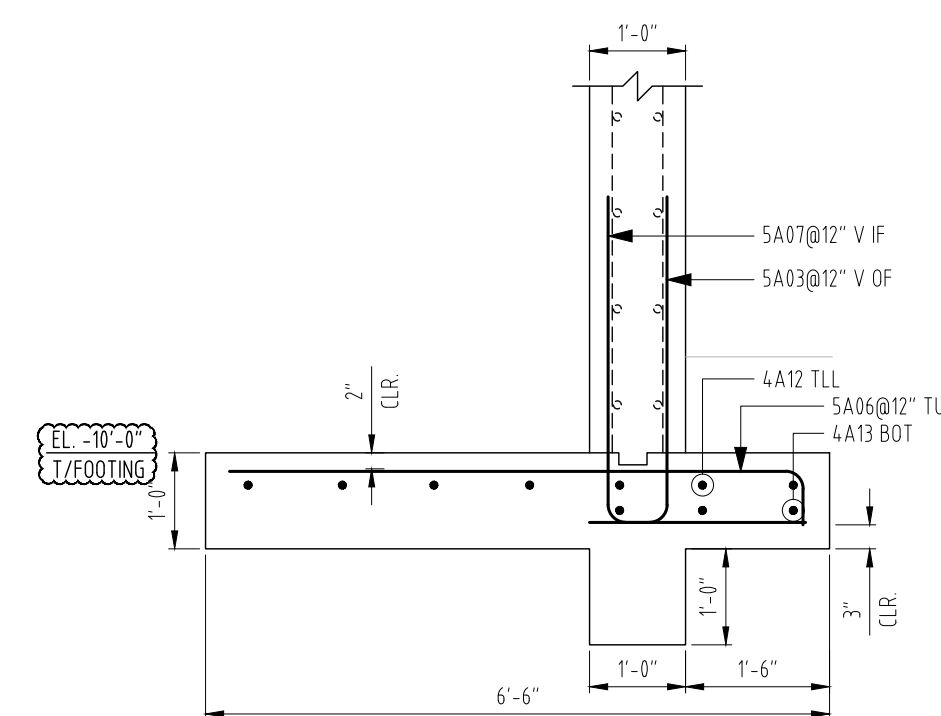
SECTION 4
SCALE: 1/2"=1'-0"
SDR: S200 & S401



SECTION 5
SCALE: 1/2"=1'-0"
SDR: S200 & S401

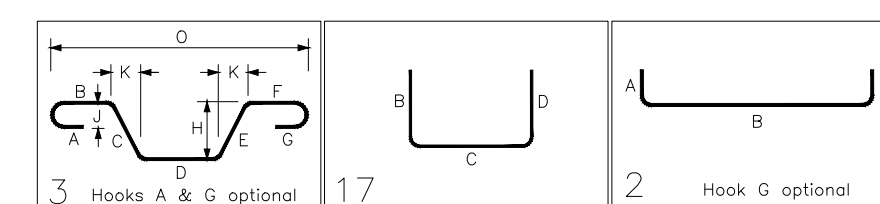


SECTION 6
SCALE: 1/2"=1'-0"
SDR: S200 & S400



SECTION 7
SCALE: 1/2"=1'-0"
SDR: S200 & S401

Drawing Sheet - R01		BAR LIST												
Bar Mark	Qty	Size	Total Length	Type	X'	Y'	Z'	X''	Y''	Z''	X'''	Y'''	Z'''	
4A01	2	#4	4'-0"	3		2'-4"	1'-8"					1'-2 1/2"	1'-1 1/2"	3'-5 1/2"
4A02	1	#4	5'-9"	17		2'-9"	3'-0"							
4A03	1	#4	4'-5"	17		2'-1"	2'-4"							
4A04	65	#4	3'-8"	2	0'-8"	2'-4"	3'-0"							
4A05	2	#4	3'-0"	2	0'-8"	2'-4"	2'-4"							
4A06	2	#4	5'-6"	17		2'-9"	2'-9"							
4A07	2	#4	4'-2"	17		2'-1"	2'-1"							
4A08	23	#4	5'-5"	2	0'-8"	2'-9"	2'-1"							
4A09	8	#4	2'-9"	2	0'-8"	2'-1"	2'-1"							
4A10	4	#4	3'-11 1/2"	3		2'-10"	1'-1 1/2"				0'-10 1/2"	0'-9 1/2"	3'-7 1/2"	
4A11	2	#4	3'-11 1/2"	3		3'-7"	0'-4 1/2"				0'-3 1/2"	0'-5"	3'-10"	
4A12	7	#4	2'-7"	17		1'-1"	26'-2"							
4A13	3	#4	2'-7"	17		1'-7"	26'-2"							
4A14	7	#4	12'-4"	17		1'-1"	11'-3"							
4A15	3	#4	12'-10"	17		1'-7"	11'-3"							
4A16	61	#4	3'-11 1/2"	17		1'-1"	2'-10"							
5A01	2	#5	6'-10"	17		3'-5"	3'-5"							
5A02	2	#5	5'-4"	17		2'-8"	2'-8"							
5A03	153	#5	4'-3"	2	0'-10"	2'-5"	2'-8"							
5A04	28	#5	3'-6"	2	0'-10"	2'-8"	2'-8"							
5A05	20	#5	6'-1"	17		0'-7"	5'-6"							
5A06	76	#5	6'-7"	17		0'-7"	6'-0"							
5A07	97	#5	5'-6"	17		2'-1"	3'-5"							
6A01	52	#6	5'-1"	17		0'-7"	4'-6"							
6A02	94	#6	4'-10"	2	1'-0"	3'-10"	26'-2"							
6A03	134	#6	6'-5"	17		2'-7"	3'-10"							
6A04	81	#6	7'-1"	17		0'-7"	6'-4"							
6A05	82	#6	5'-2"	2	1'-0"	4'-2"	6'-4"							
9A01	79	#9	9'-6"	17		1'-0"	8'-6"							
9A02	82	#9	10'-10"	17		3'-11"	6'-11"							
9A03	666	#9	13'-1"	17		1'-7"	11'-6"							
9A04	665	#9	13'-2"	17		5'-7"	7'-7"							
9A05	341	#9	9'-2"	2	1'-7"	2'-7"	7'-7"							



FOR APPROVAL

ASTM 615 - GR 60 - BLK

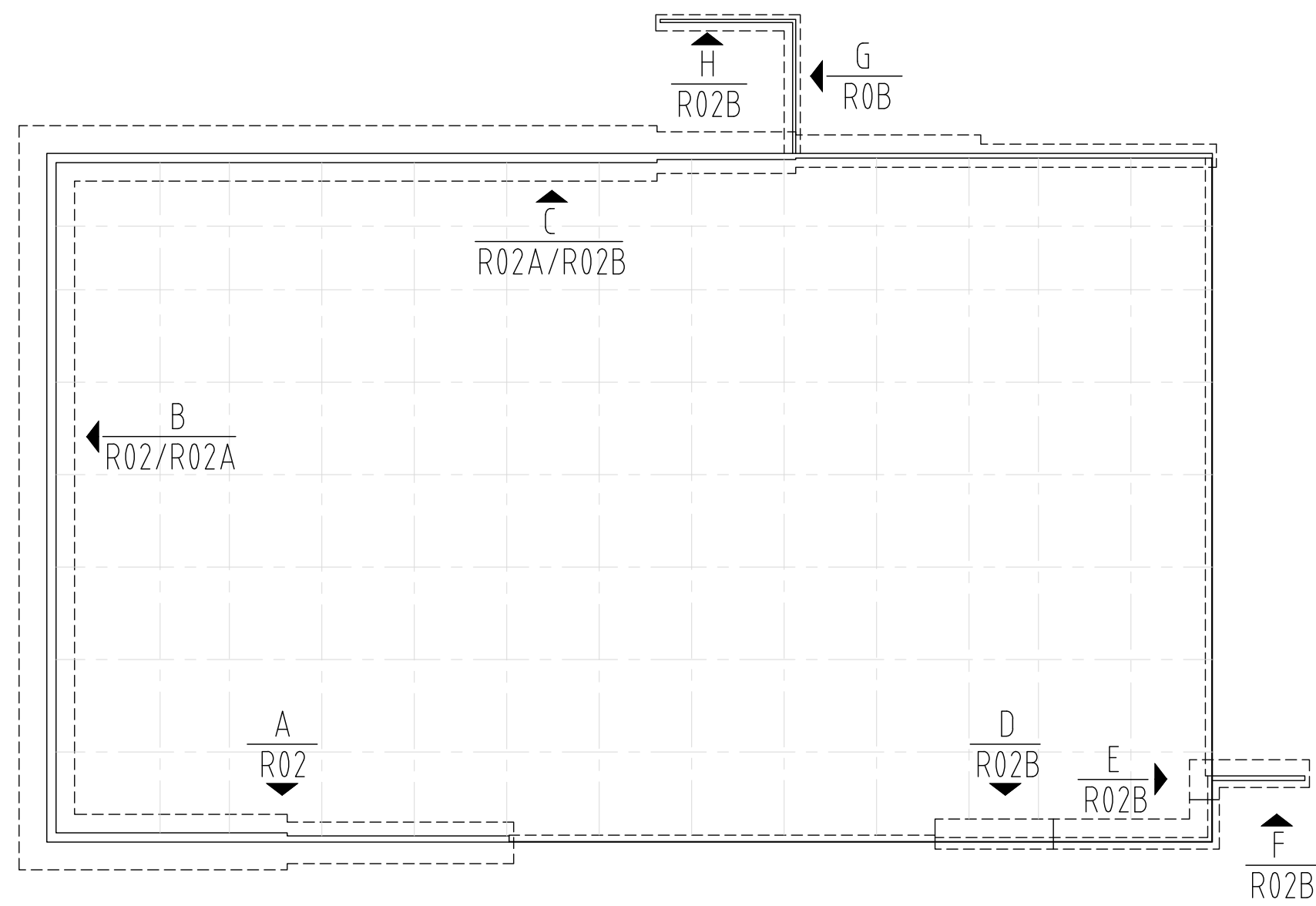
R01C

Drawn by: WES

Check by: RK

Revision: 0

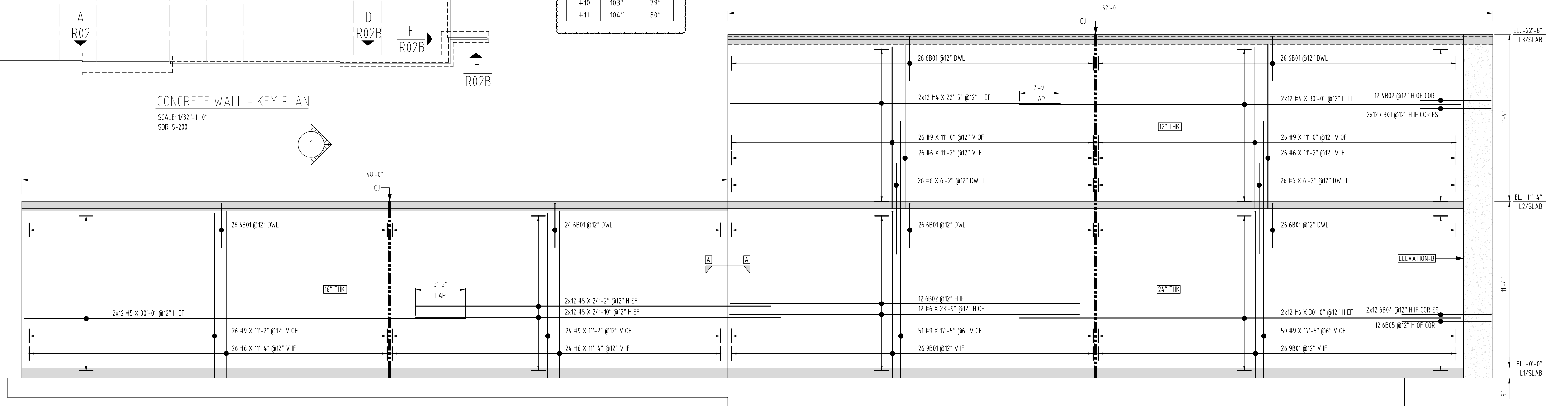
Date: 12/19/25



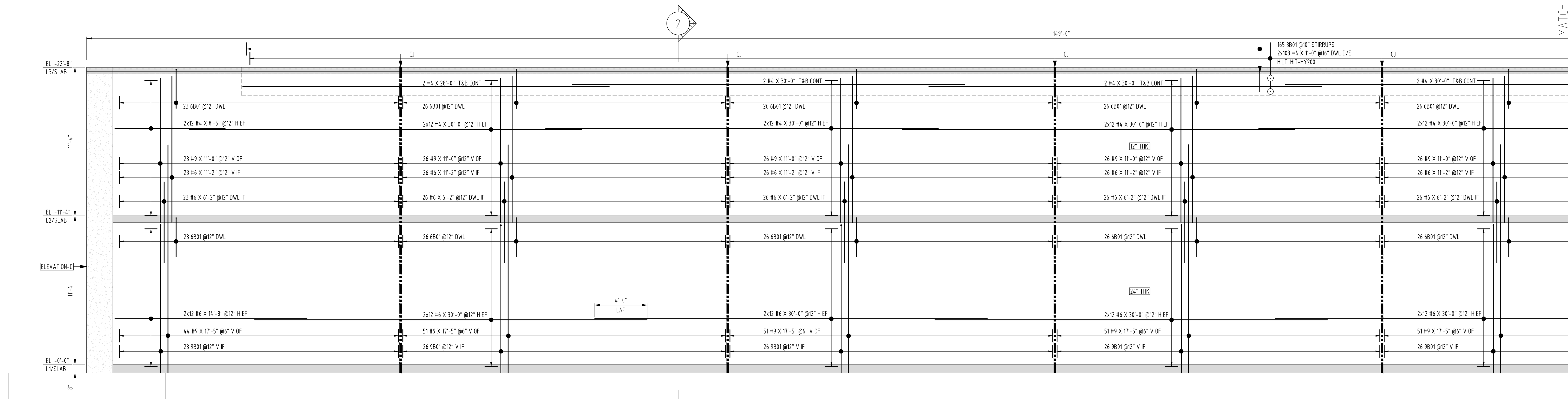
CONCRETE WALL - KEY PLAN
SCALE: 1/32"=1'-0"
SDR: S-200

FOUNDATION & WALL LAP SCHEDULE		
4000 psi CLASS-B		
BAR DIA	TOP	OTHERS
#3	25"	19"
#4	33"	25"
#5	41"	32"
#6	48"	37"
#7	71"	55"
#8	81"	62"
#9	91"	70"
#10	103"	79"
#11	104"	80"

ENGINEER, PLEASE CONFIRM
THE LAP LENGTHS



EXTERIOR WALL ELEVATION - A
SCALE: 1/4"=1'-0"
SDR: S-200, S-204, S-206, S-303, S-401, S-402



EXTERIOR WALL ELEVATION - B
SCALE: 1/4"=1'-0"
SDR: S-200, S-204, S-206, S-303, S-401

FOR APPROVAL

ASTM 615 - GR 60 - BLK

R02

Project:

Client:

Level: LEVEL 1 TO LEVEL 3

Description: CONCRETE WALL

Location: GA 30132

Branch:

Phone:

Address:

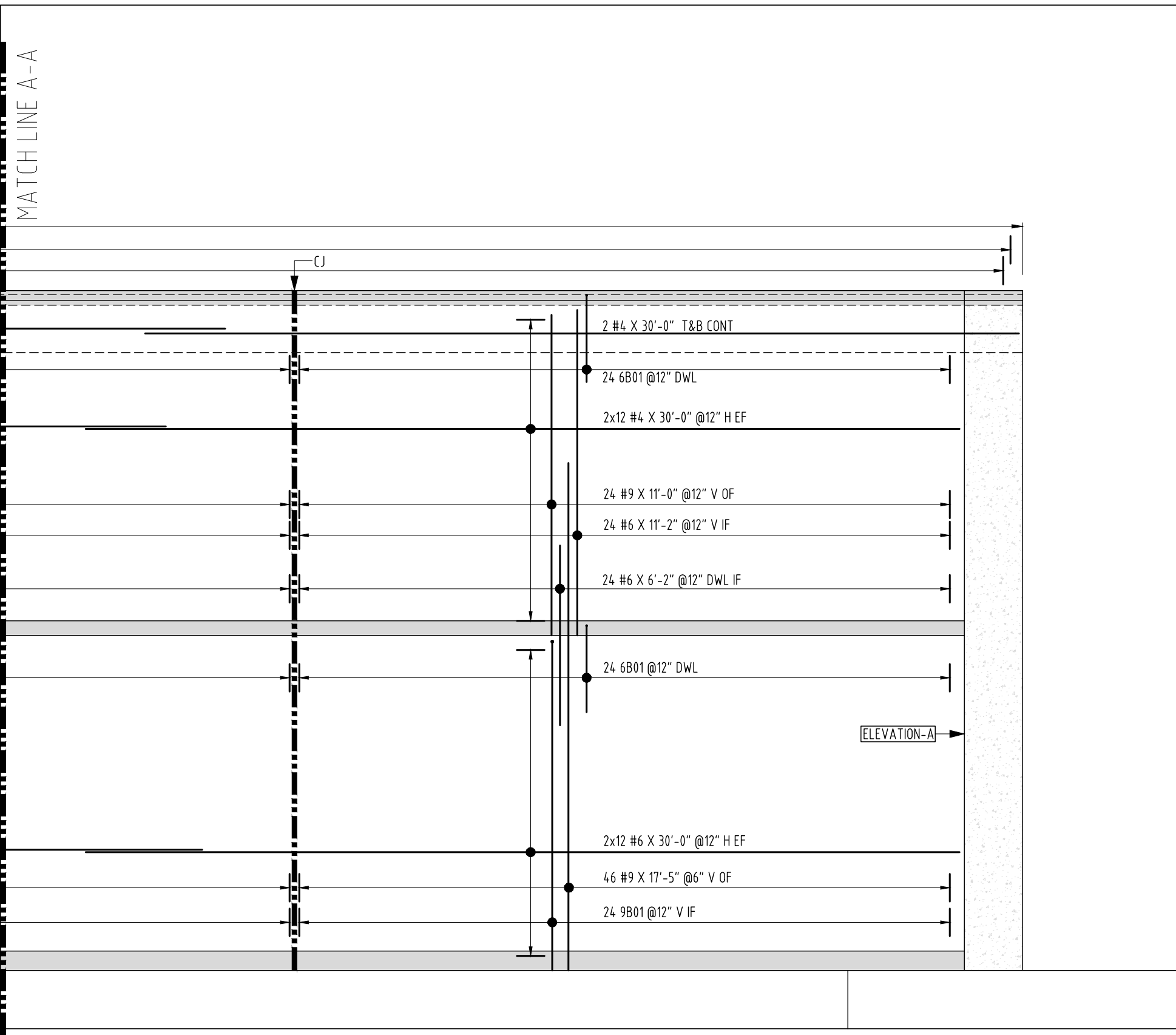
State/City:

Drawn by: WES

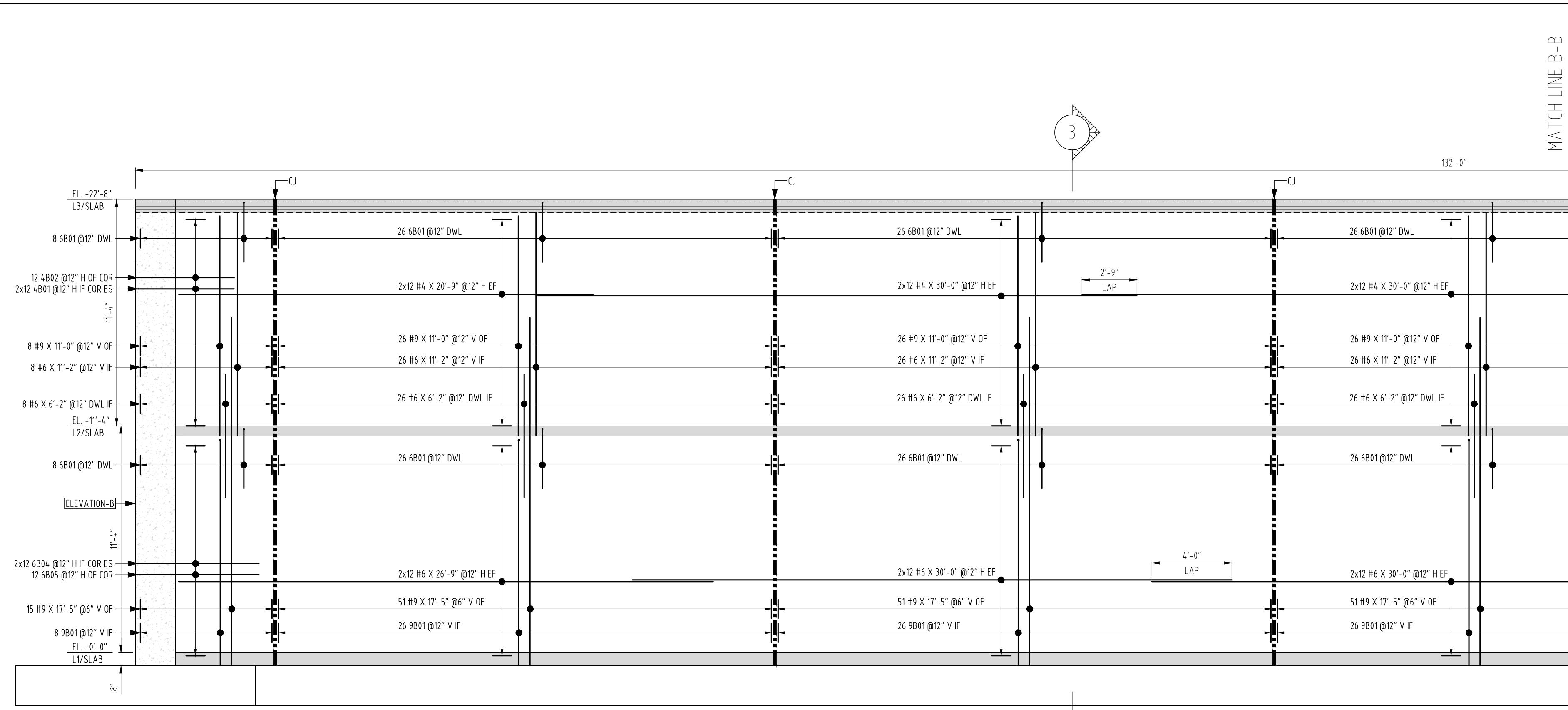
Check by: RK

Revision: 0

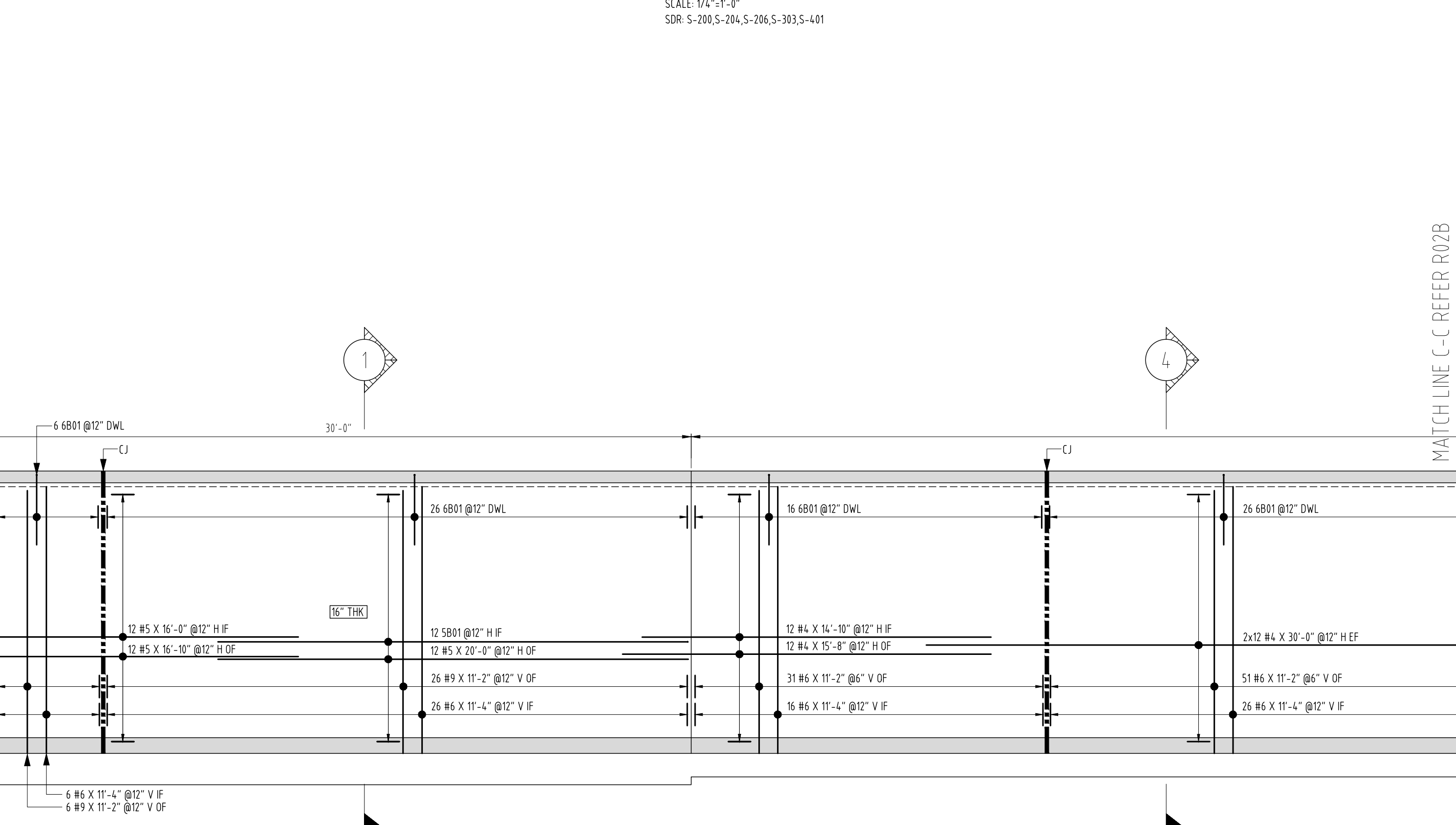
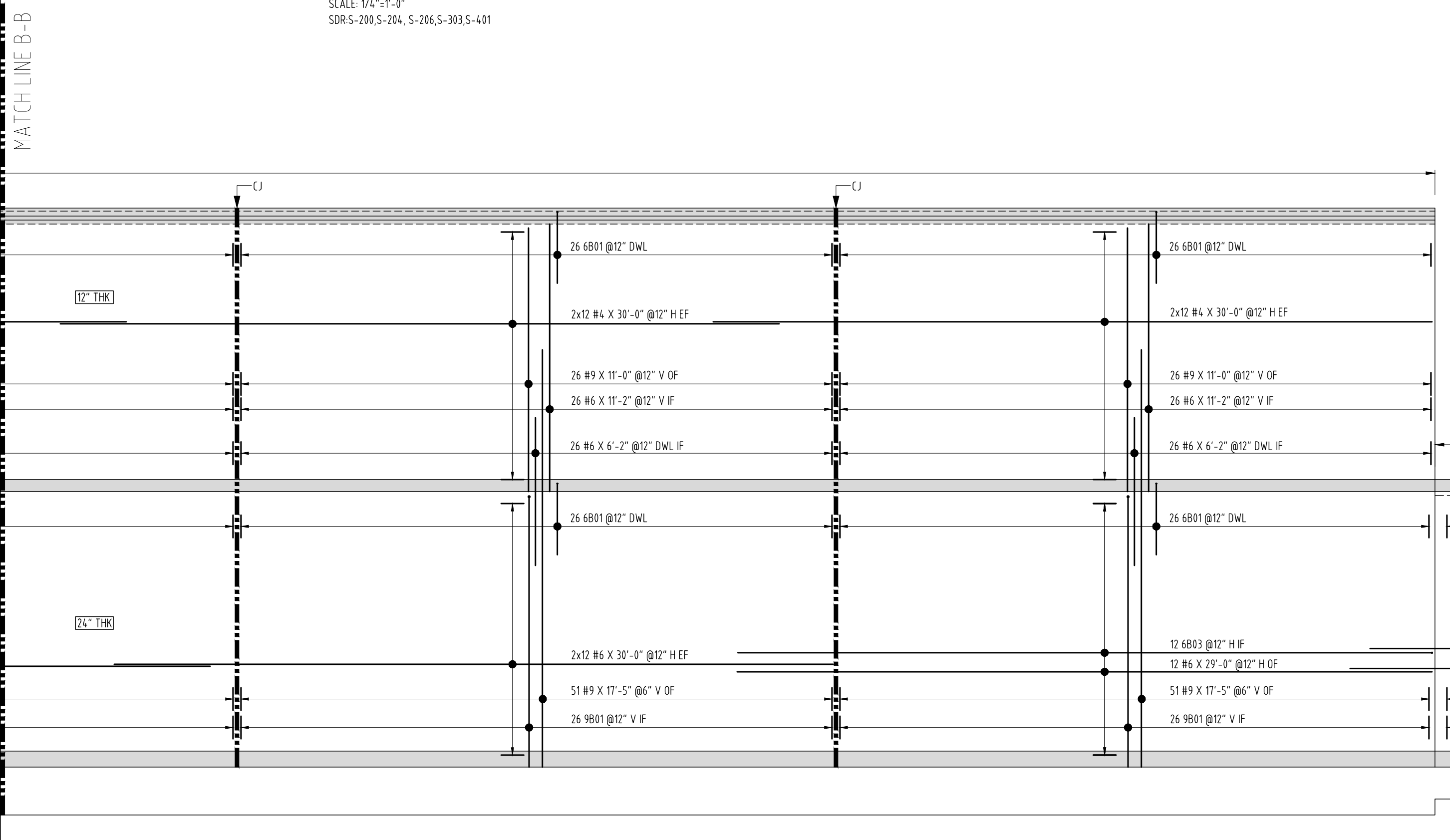
Date: 12/19/25



EXTERIOR WALL ELEVATION - B
SCALE: 1/4"=1'-0"
SDR-S-200, S-204, S-206, S-303, S-401



EXTERIOR WALL ELEVATION - C
SCALE: 1/4"=1'-0"
SDR-S-200, S-204, S-206, S-303, S-401



EXTERIOR WALL ELEVATION - C
SCALE: 1/4"=1'-0"
SDR-S-200, S-204, S-206, S-303, S-401, S-402, S-403, S-404

FOUNDATION & WALL LAP SCHEDULE		
4000 psi CLASS-B		
BAR DIA	TOP	OTHERS
#3	25"	19"
#4	33"	25"
#5	41"	32"
#6	48"	37"
#7	71"	55"
#8	81"	62"
#9	91"	70"
#10	103"	79"
#11	104"	80"

ENGINEER, PLEASE CONFIRM THE LAP LENGTHS.

FOR APPROVAL

ASTM 615 - GR 60 - BLK

R02A

Project:

Client:

Level: LEVEL 1 TO LEVEL 3

Description: CONCRETE WALL

Location: GA 30132

Branch:

Phone:

Address:

State/City:

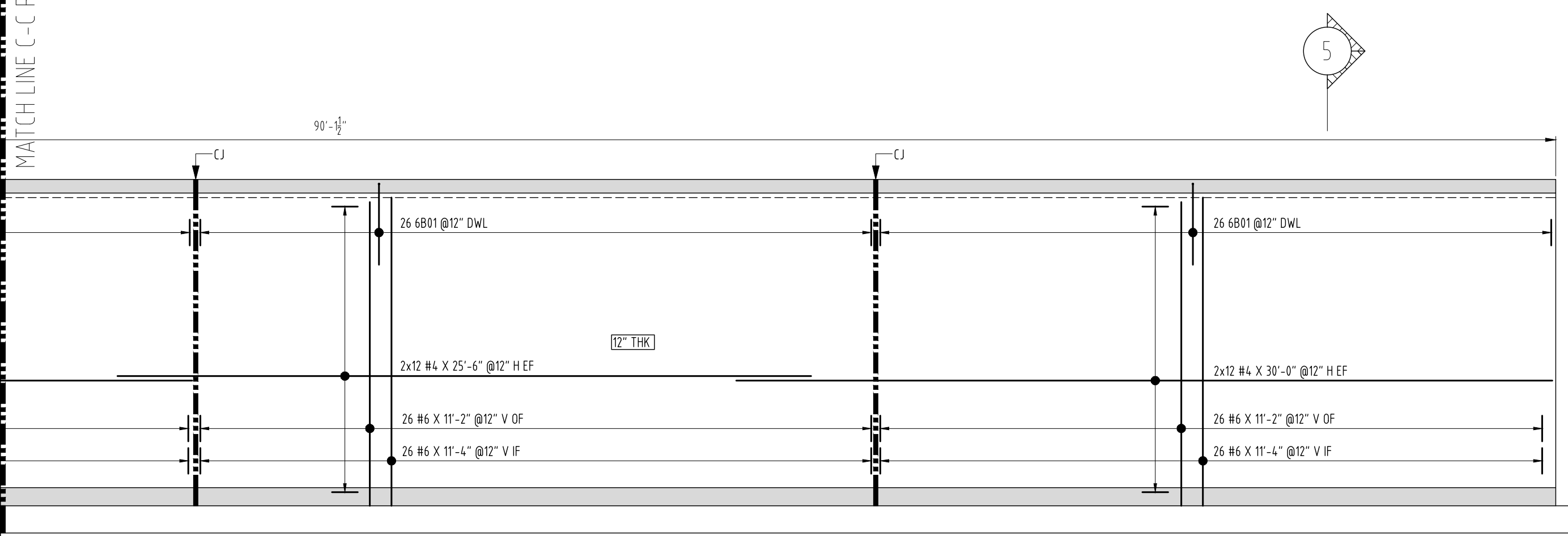
Drawn by: WES

Check by: RK

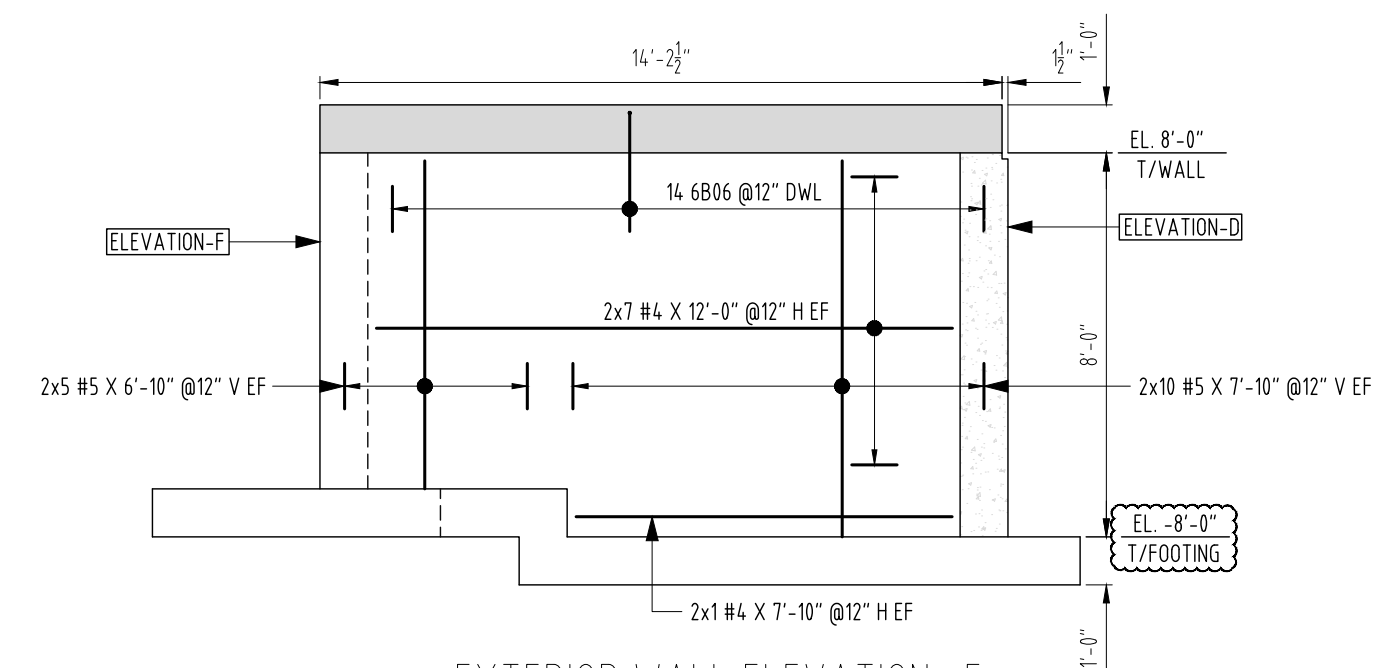
Revision: 0

Date: 12/19/25

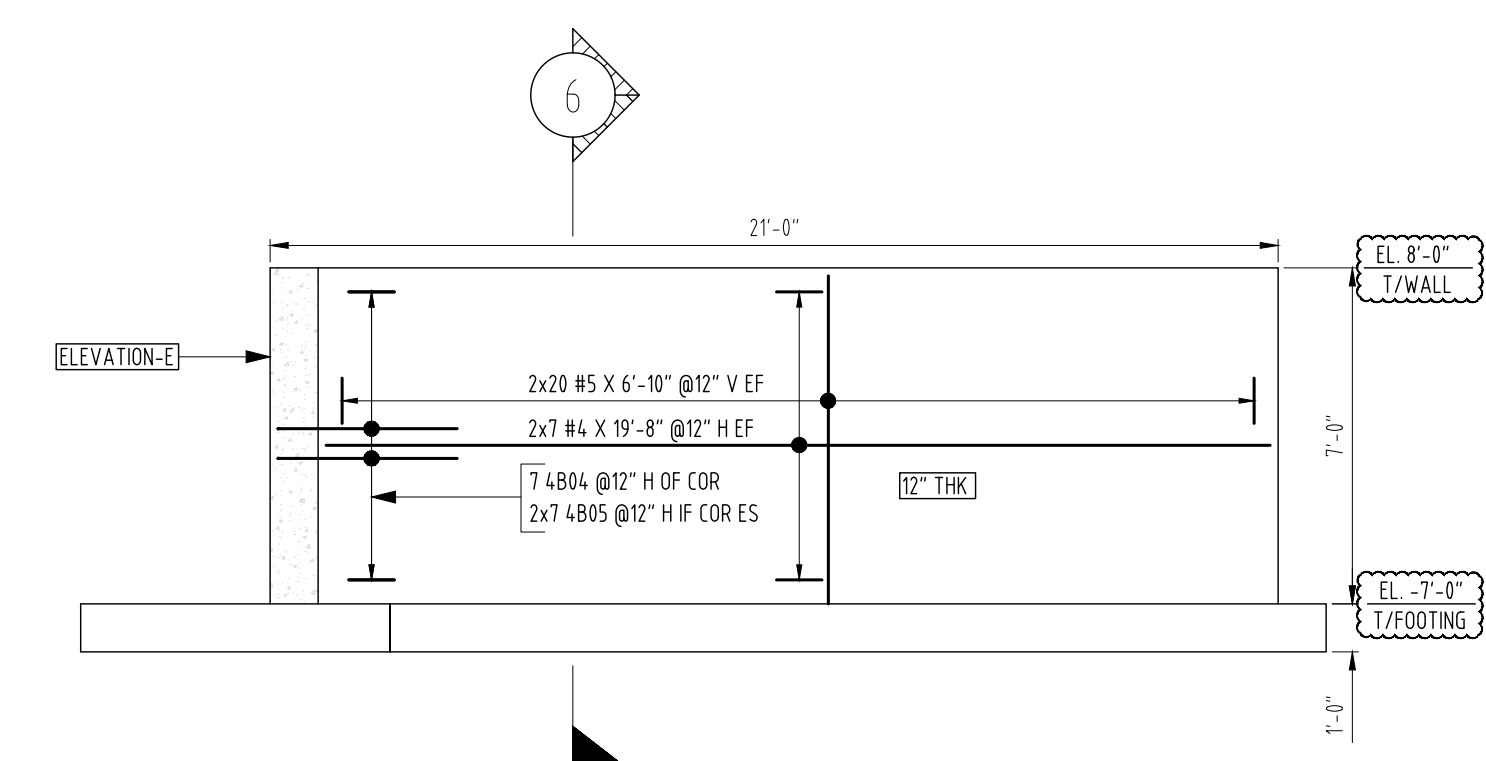
MATCH LINE C-C REFER R02A



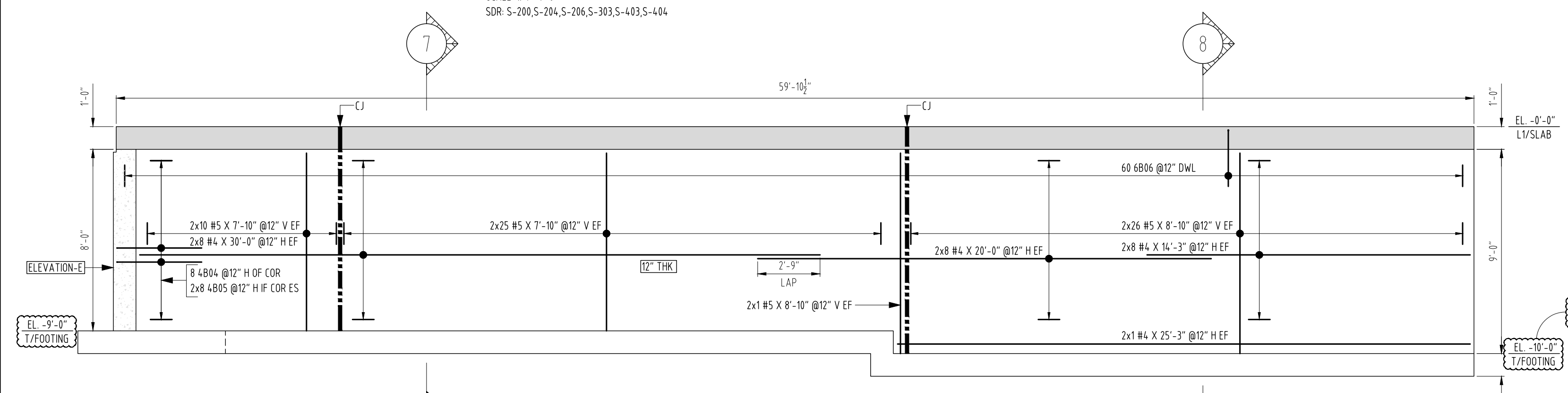
EXTERIOR WALL ELEVATION - C
SCALE: 1/4"=1'-0"
SDR: S-200, S-204, S-206, S-303, S-403, S-404



EXTERIOR WALL ELEVATION - E
SCALE: 1/4"=1'-0"
SDR: S-200, S-400



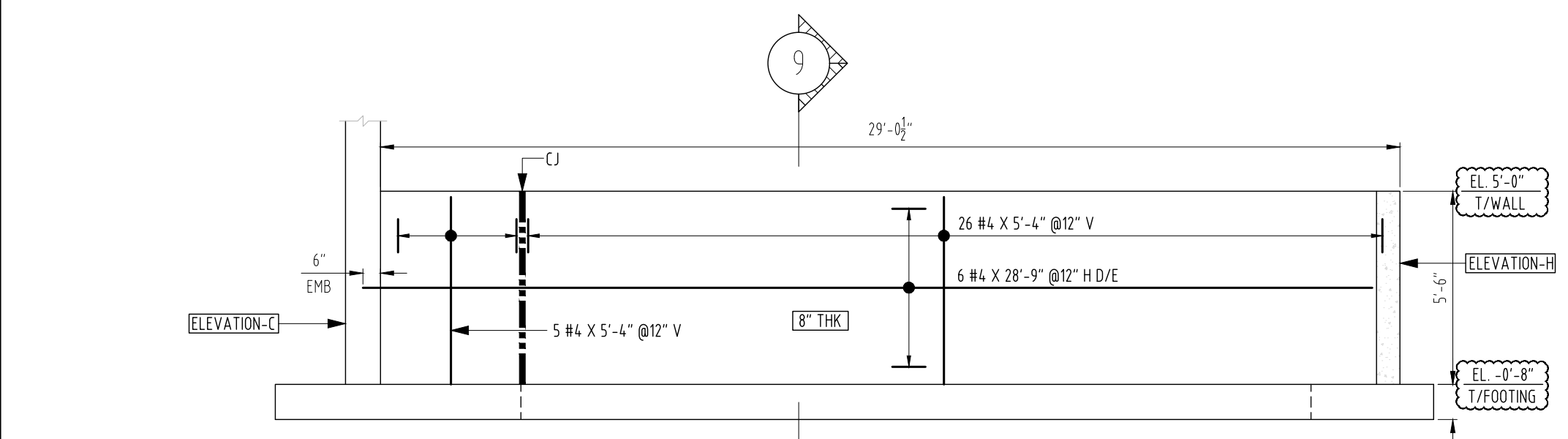
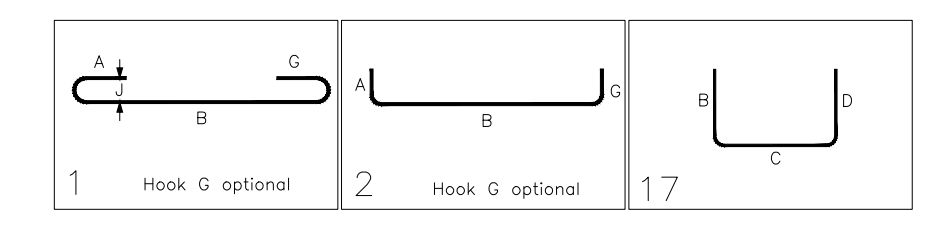
EXTERIOR WALL ELEVATION - F
SCALE: 1/4"=1'-0"
SDR: S-200, S-404



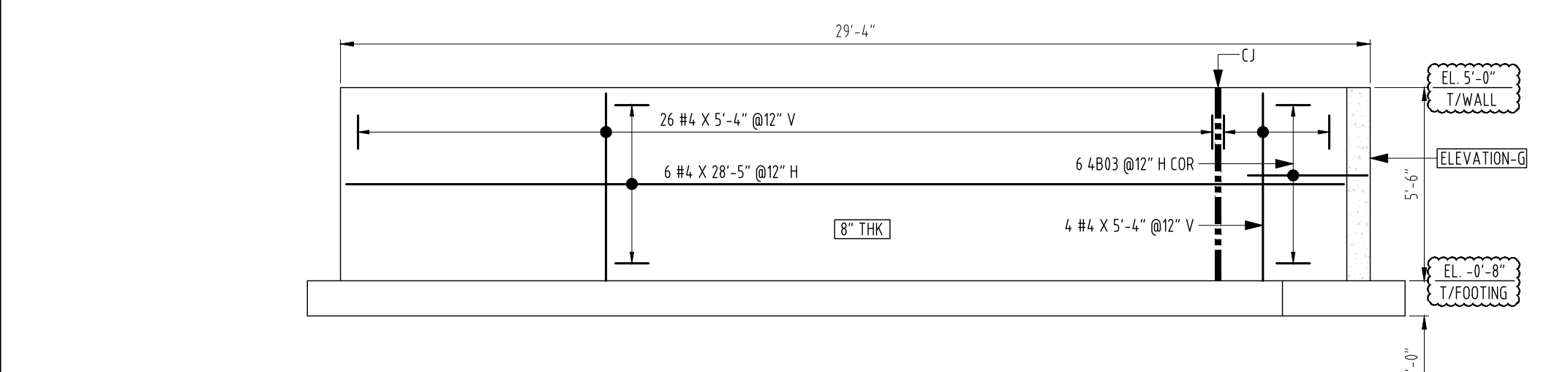
EXTERIOR WALL ELEVATION - D
SCALE: 1/4"=1'-0"
SDR: S-200, S-400

Drawing Sheet: R02

Bar Mark	Qty	Size	Total Length	Type	X	Y	Z	W	V	U	T	S	R	Q	P	O	N	M	L	K	J	I	H	G	F	E	D	C	B	A
3801	165	#3	2'-4"	1	0'-5"	1'-6"																								
4801	48	#4	5'-6"	2	0'-8"	4'-10"																								
4802	24	#4	9'-8"	17		4'-10"																								
4803	6	#4	6'-10"	17		3'-5"																								
4804	15	#4	7'-6"	17		3'-9"																								
4805	30	#4	4'-5"	2	0'-8"	3'-9"																								
5801	12	#5	20'-10"	2	0'-10"	20'-0"																								
6801	68	#6	6'-0"	17		3'-0"																								
6802	12	#6	24'-9"	2	1'-0"	23'-9"																								
6803	12	#6	30'-0"	2	1'-0"	29'-0"																								
6804	48	#6	7'-1"	2	1'-0"	6'-1"																								
6805	24	#6	12'-2"	17		6'-1"																								
6806	14	#6	5'-0"	17		2'-6"																								
9801	34	#9	12'-11"	2	1'-3"	11'-4"																								



EXTERIOR WALL ELEVATION - G
SCALE: 1/4"=1'-0"
SDR: S-200, S-404

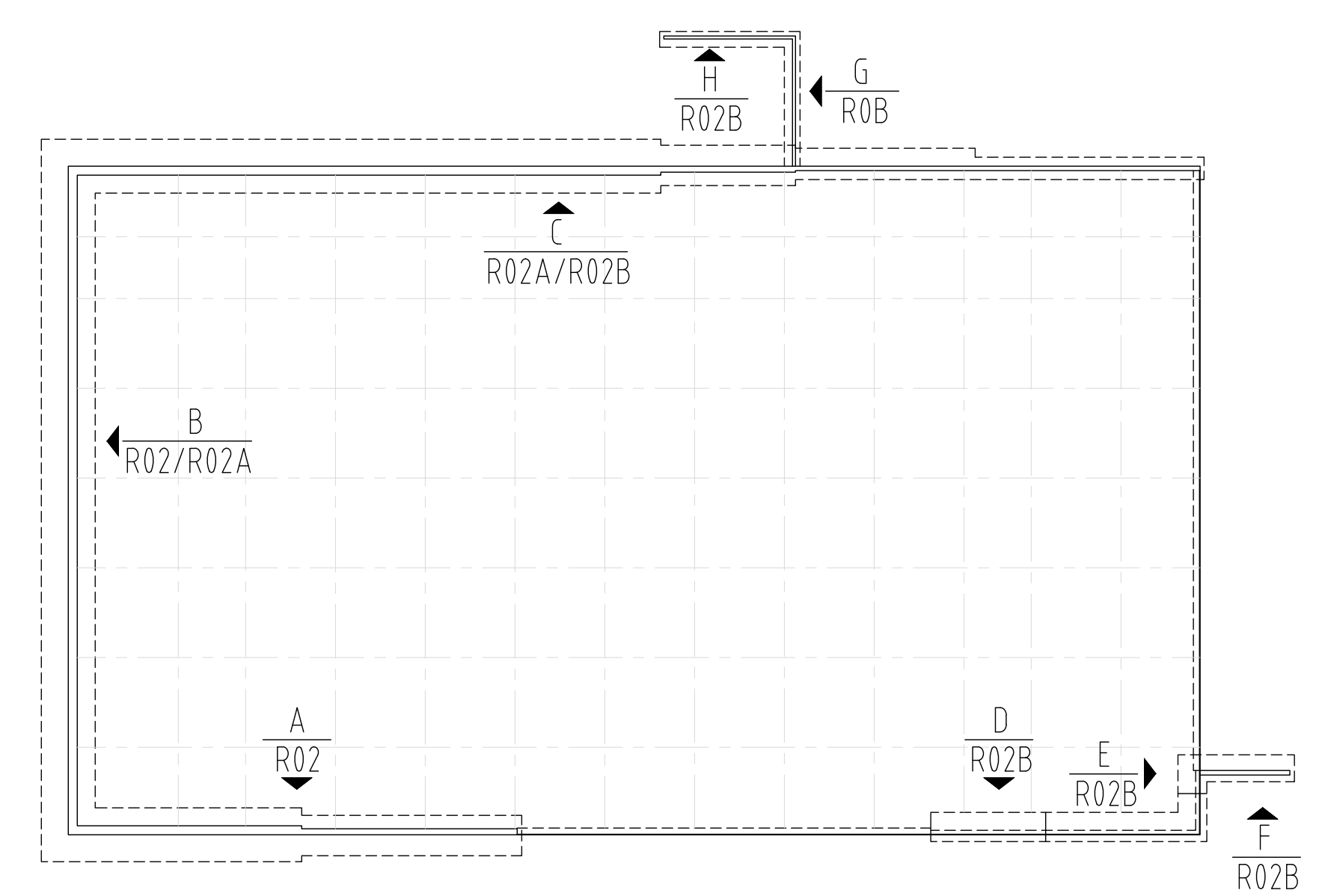


EXTERIOR WALL ELEVATION - H
SCALE: 1/4"=1'-0"
SDR: S-200, S-404

FOUNDATION & WALL LAP SCHEDULE
4000 psi CLASS-B

BAR DIA	TOP	OTHERS
#3	25"	19"
#4	33"	25"
#5	41"	32"
#6	48"	37"
#7	71"	55"
#8	81"	62"
#9	91"	70"
#10	103"	79"
#11	104"	80"

ENGINEER, PLEASE CONFIRM THE LAP LENGTHS



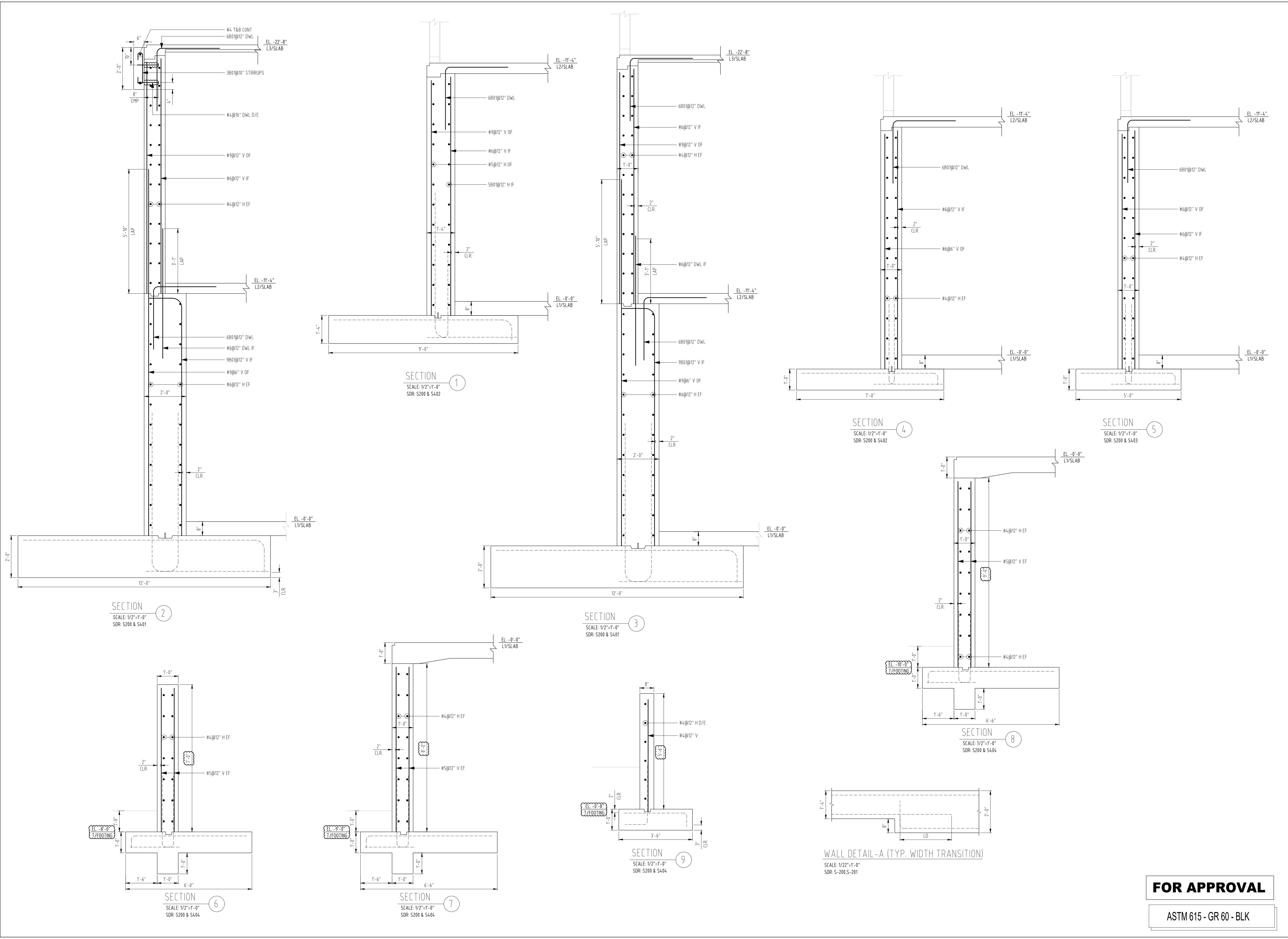
CONCRETE WALL - KEY PLAN
SCALE: 1/32"=1'-0"
SDR: S-200

FOR APPROVAL
ASTM 615 - GR 60 - BLK

Project:
Client:
Level: LEVEL 1 TO LEVEL 3
Description: CONCRETE WALL
Location: GA 30132

Branch:
Phone:
Address:
State/City:
Drawn by: WES
Check by: RK
Revision: 0
Date: 12/19/25

R02B



Project:

Client:

Level: LEVEL 1 TO LEVEL 3

Description: CONCRETE WALL

Location: GA 30132

Branch:

Phone:

Address:

State/City:

Drawn by: WES

Check by: RK

Revision: 0

Date: 12/19/25

FOR APPROVAL

ASTM 615 - GR 60 - BLK

R02C