

FOUNDATION KEY PLAN  
 SCALE: 1/12"=1'-0"  
 SDR: S11, S12, S21, S24, S25, S26, S31, S32, S41

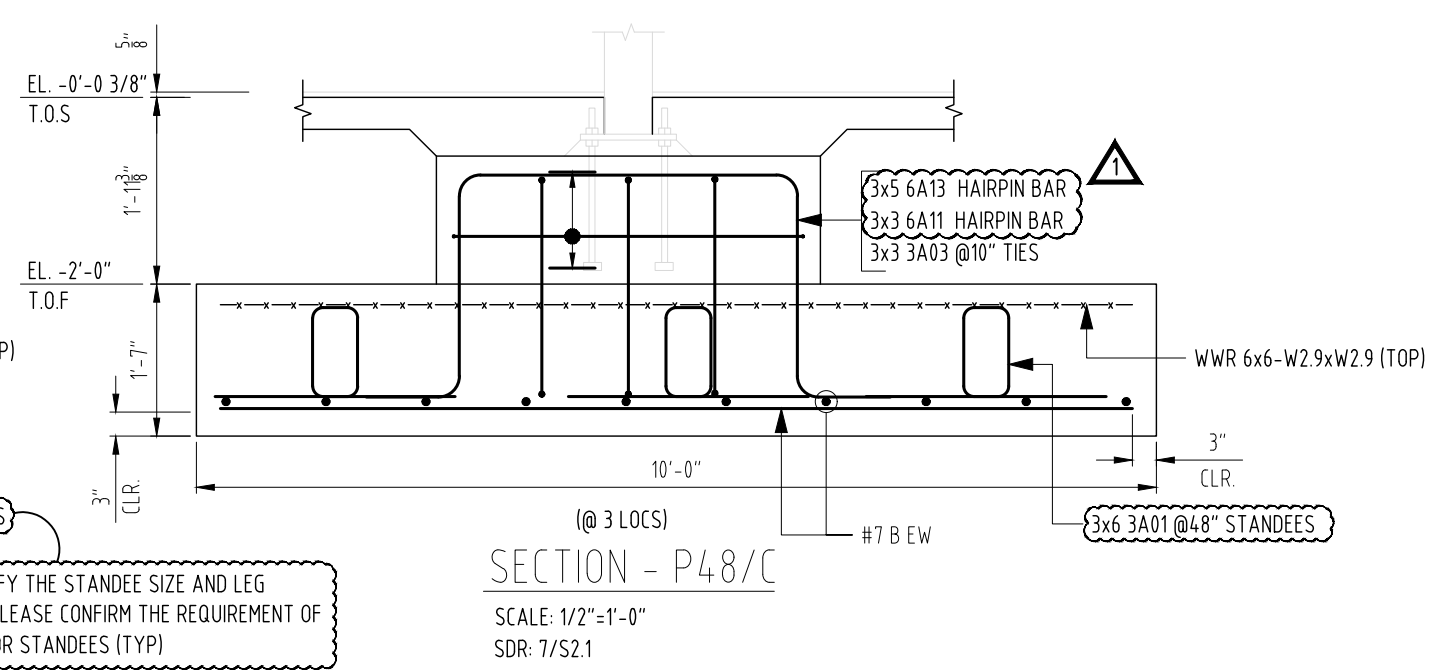
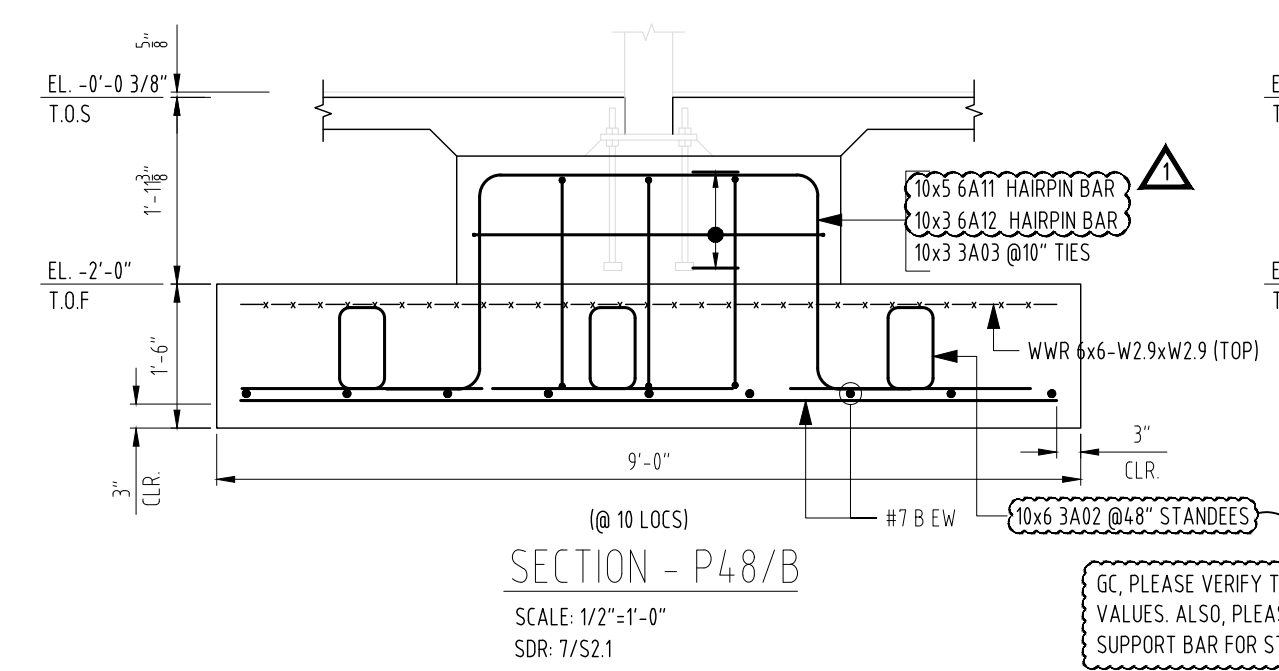
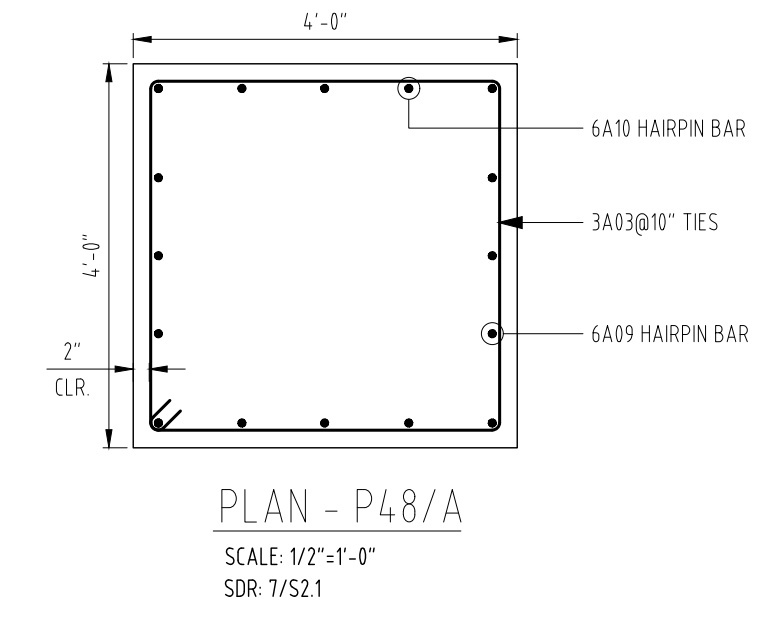
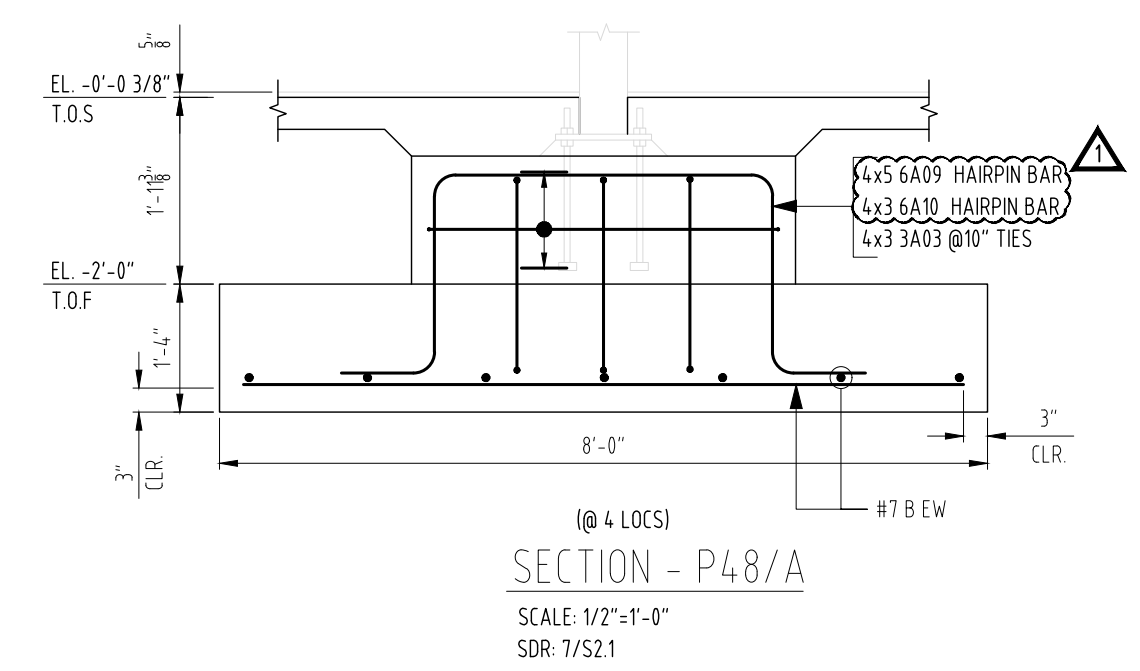
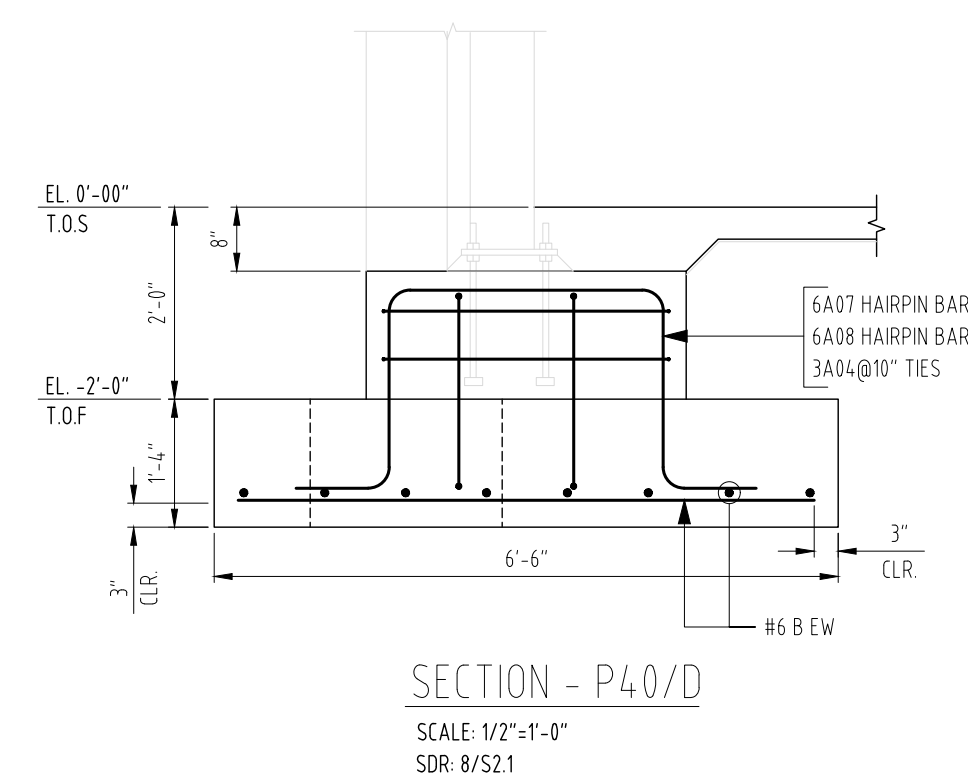
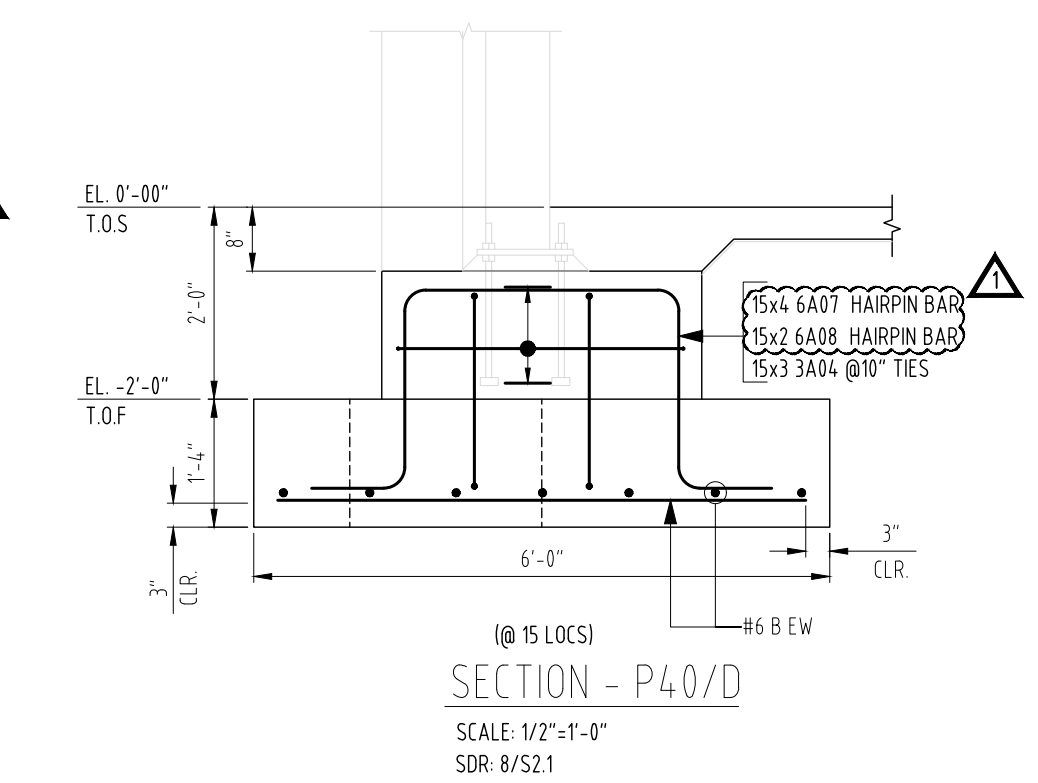
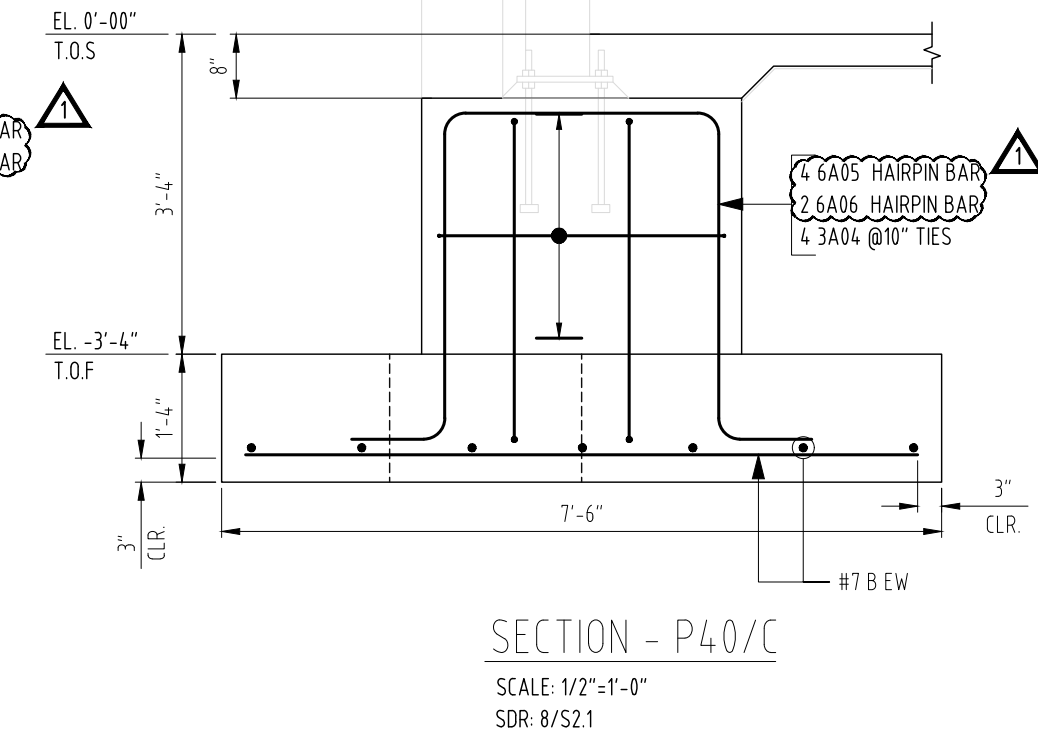
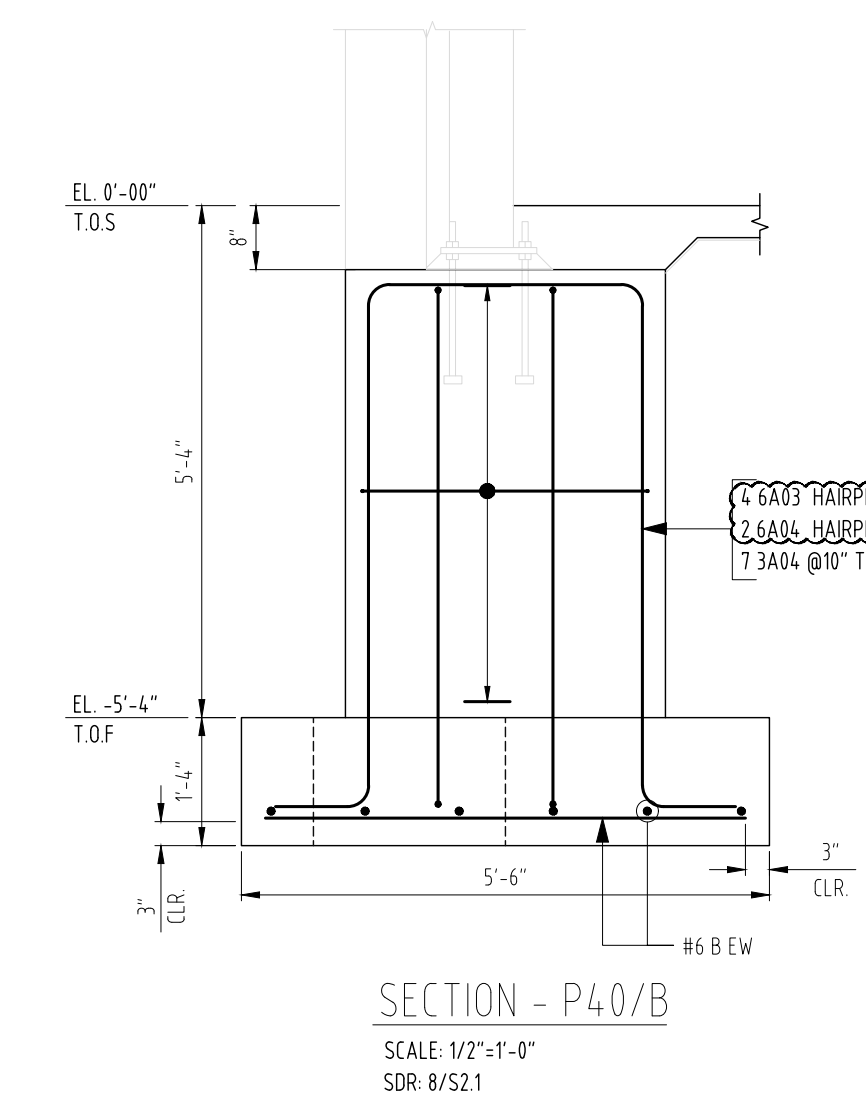
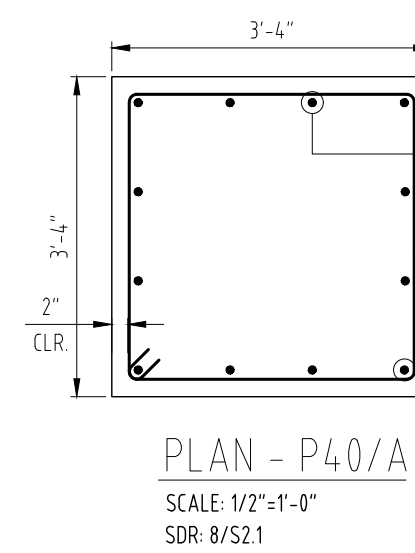
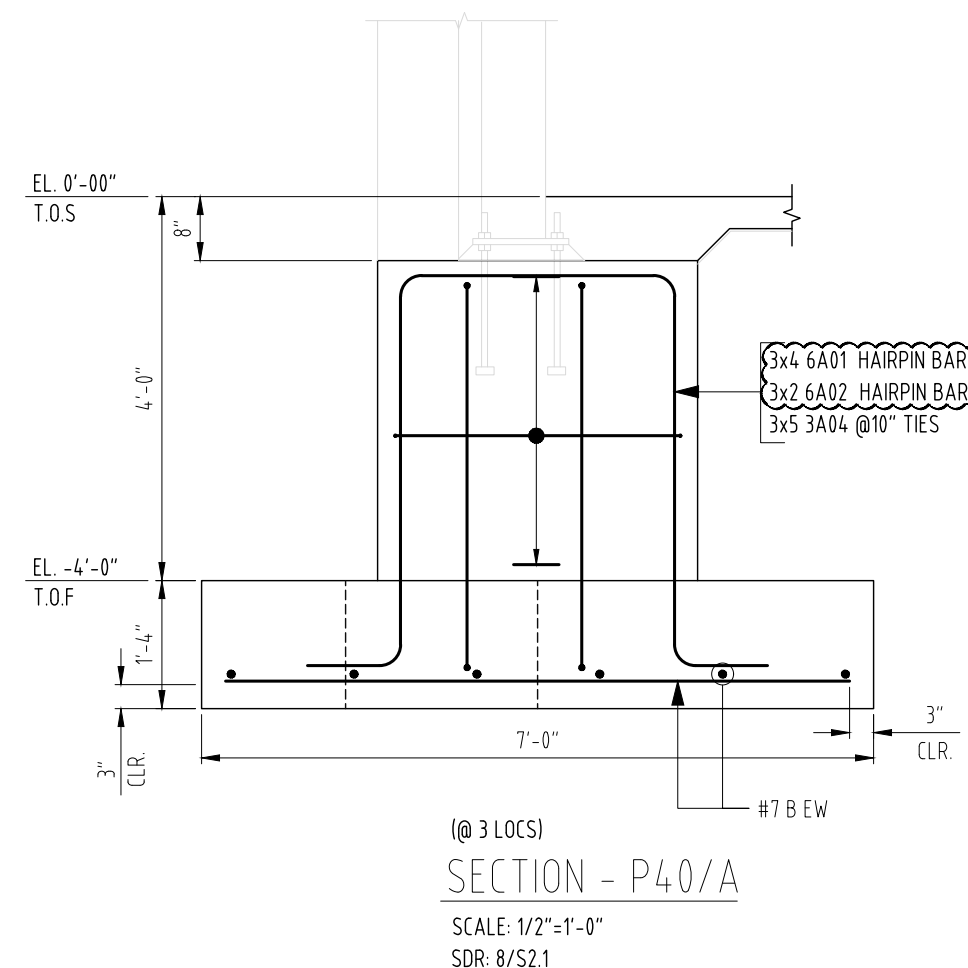
Project:	
Client:	
Level:	FOUNDATION
Description:	PAD FOOTING
Location:	GA 30188

Drawn by:	WES
Check by:	RK
Revision:	1
Date:	03/25/26

**FOR FABRICATION**  
 ASTM 615 - GR 60 - BLK

**R01**

SPREAD FOOTING SCHEDULE							
S.NO	MARK	SIZE (L X B) (INCHES)	DEPTH (FT-IN)	QTY (NOS)	T/FOOTING	REINFORCEMENT	REMARKS
1	F55	5'-6" x 5'-6"	1'-4"	05	REFER PLAN	5x2x6 #6 X 5'-0" B EW	SECTION-P40/B
2	F6	6'-0" x 6'-0"	1'-4"	03	REFER PLAN	3x2x7 #6 X 5'-6" B EW	SECTION-P40/D
3	F65	6'-6" x 6'-6"	1'-4"	03	REFER PLAN	3x2x8 #6 X 6'-0" B EW	SECTION-P40/D
4	F7	7'-0" x 7'-0"	1'-4"	07	REFER PLAN	7x2x6 #7 X 6'-6" B EW	SECTION-P40/A
5	F75	7'-6" x 7'-6"	1'-4"	05	REFER PLAN	5x2x7 #7 X 7'-0" B EW	SECTION-P40/C
6	F8	8'-0" x 8'-0"	1'-4"	01	REFER PLAN	2x7 #7 X 7'-6" B EW	SECTION-P48/A
7	F9	9'-0" x 9'-0"	1'-6"	10	REFER PLAN	10x2x9 #7 X 8'-6" B EW WWR 6x6-W2.9xW2.9 (TOP)	SECTION-P48/B
8	F10	10'-0" x 10'-0"	1'-7"	03	REFER PLAN	3x2x10 #7 X 9'-6" B EW WWR 6x6-W2.9xW2.9 (TOP)	SECTION-P48/C



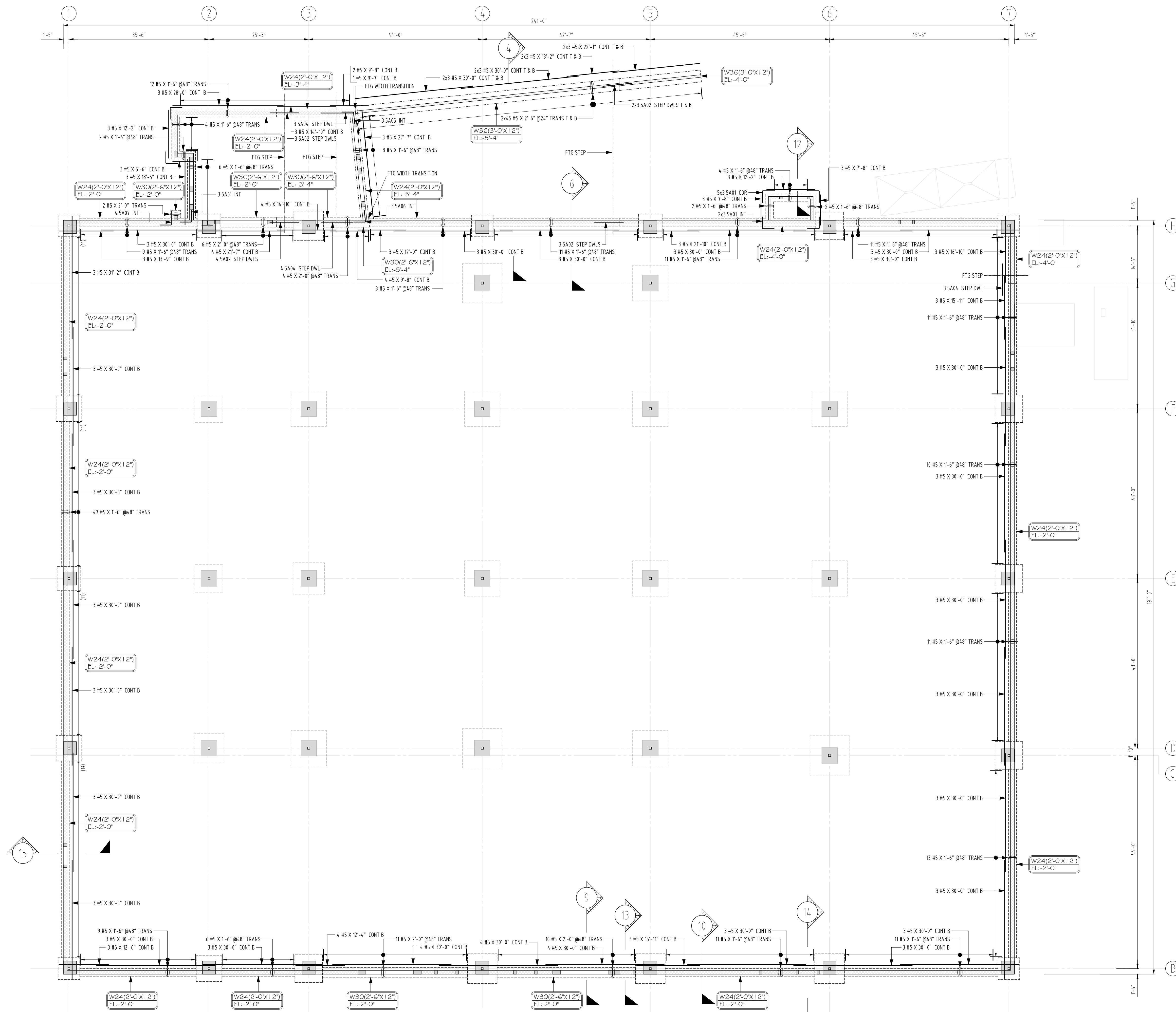
GC, PLEASE VERIFY THE STANDEE SIZE AND LEG VALUES. ALSO, PLEASE CONFIRM THE REQUIREMENT OF SUPPORT BAR FOR STANDEES (TYP)

**FOR FABRICATION**  
ASTM 615 - GR 60 - BLK

Project:  
Client:  
Level: FOUNDATION  
Description: PAD FTNG & PEDESTAL  
Location: GA 30188

Branch:  
Phone:  
Address:  
State/City:  
Drawn by: WES  
Check by: RK  
Revision: 1  
Date: 03/25/26

**R01A**



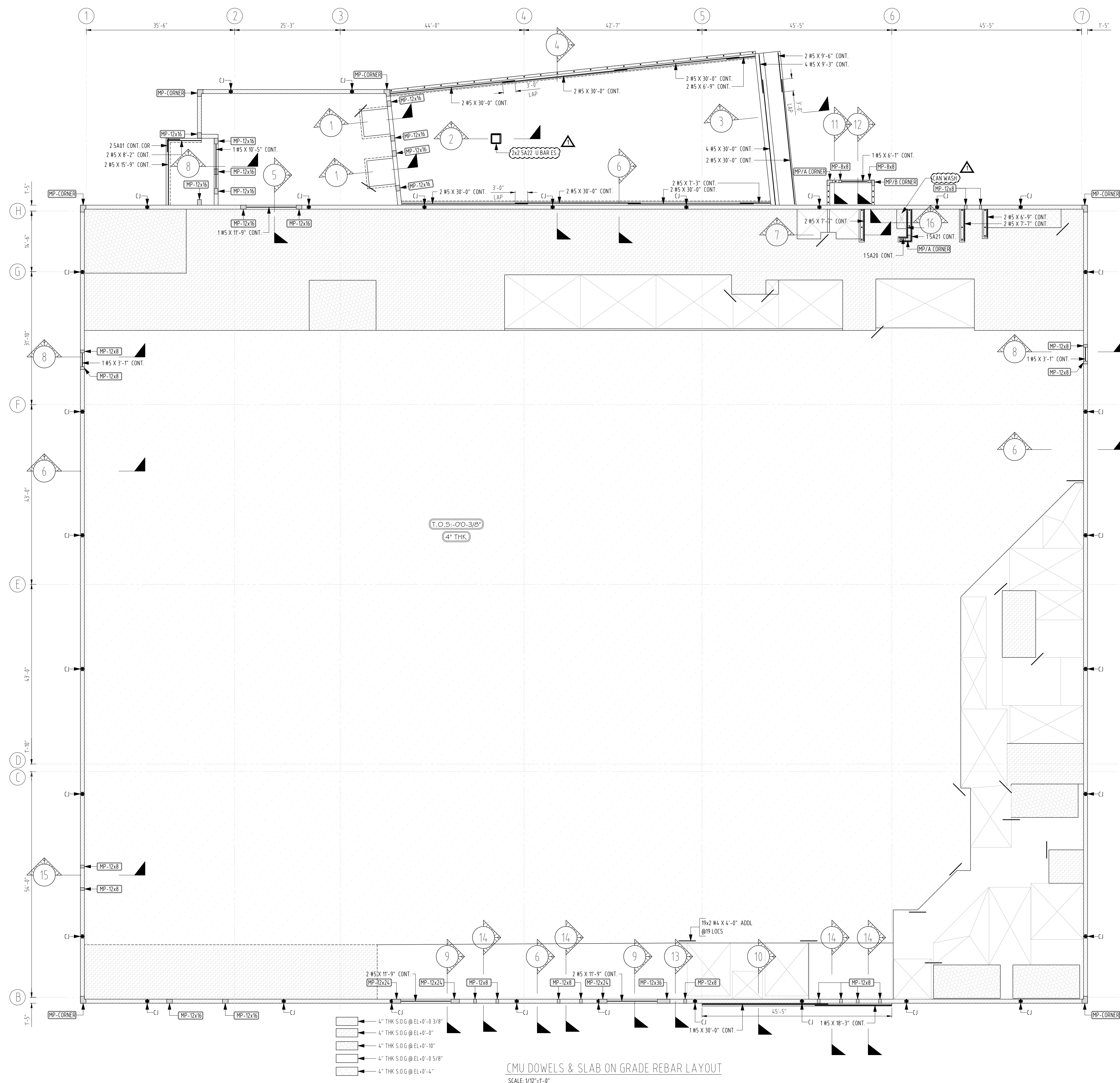
WALL FOOTING REBAR LAYOUT  
 SCALE: 1/12"=1'-0"  
 SDR: S11

**FOR FABRICATION**

ASTM 615 - GR 60 - BLK

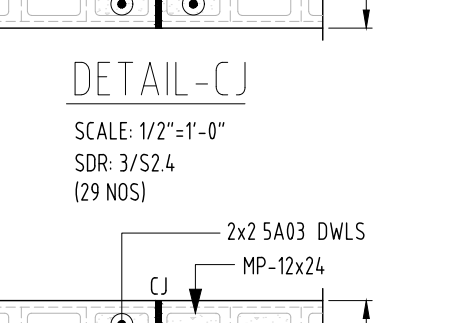
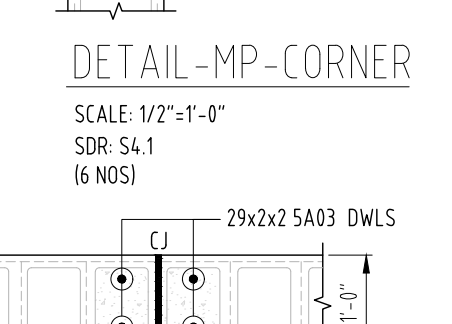
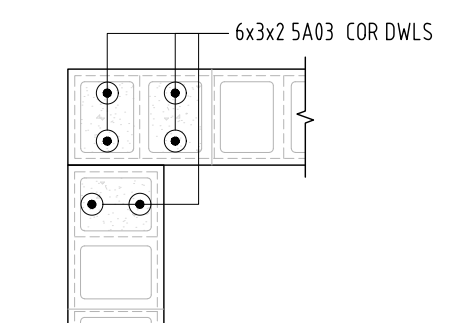
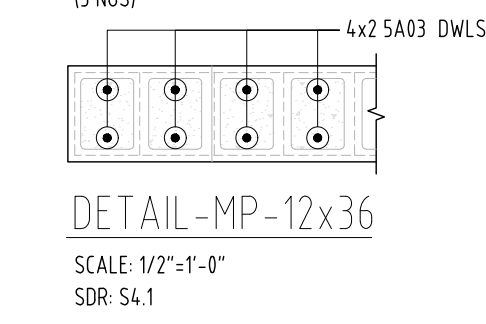
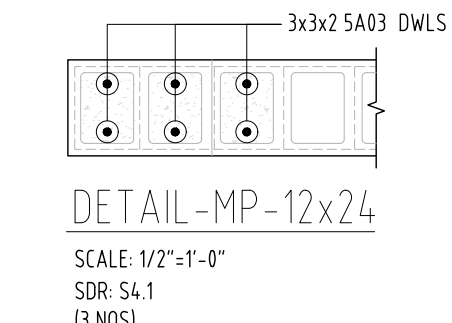
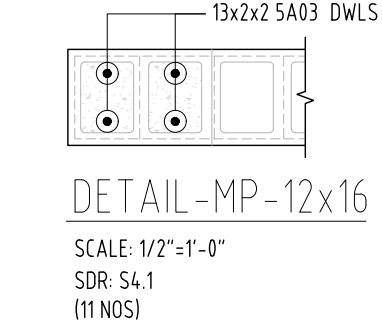
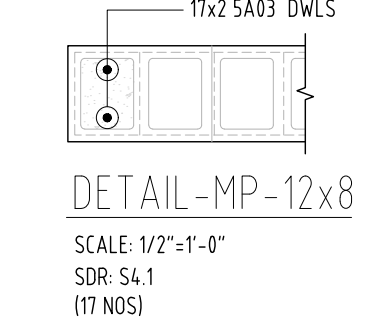
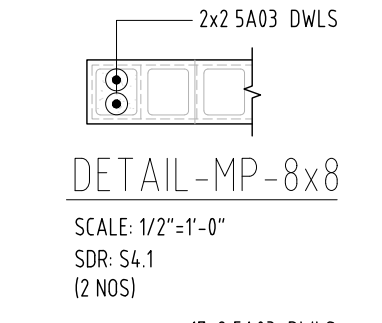
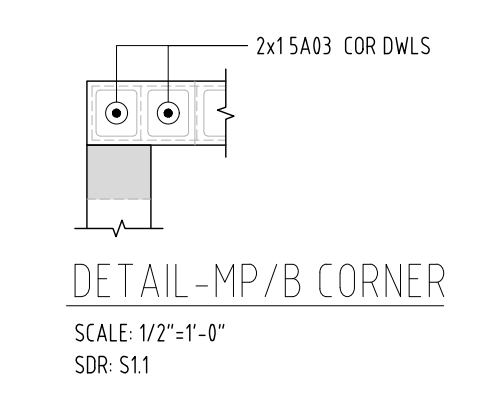
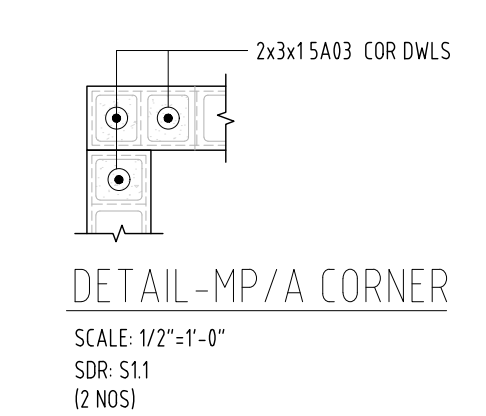
# R01B

Project:	
Client:	
Level:	FOUNDATION
Description:	WALL FOOTING
Location:	GA 30188
Branch:	
Phone:	
Address:	
State/City:	
Drawn by:	WES
Check by:	RK
Revision:	1
Date:	03/25/26



- 4" THK S.O.G @ EL.-0'-0 3/8"
- 4" THK S.O.G @ EL.-0'-0"
- 4" THK S.O.G @ EL.-0'-10"
- 4" THK S.O.G @ EL.-0'-0 5/8"
- 4" THK S.O.G @ EL.-0'-4"

CMU DOWELS & SLAB ON GRADE REBAR LAYOUT  
 SCALE: 1/12"=1'-0"  
 SDR: S12



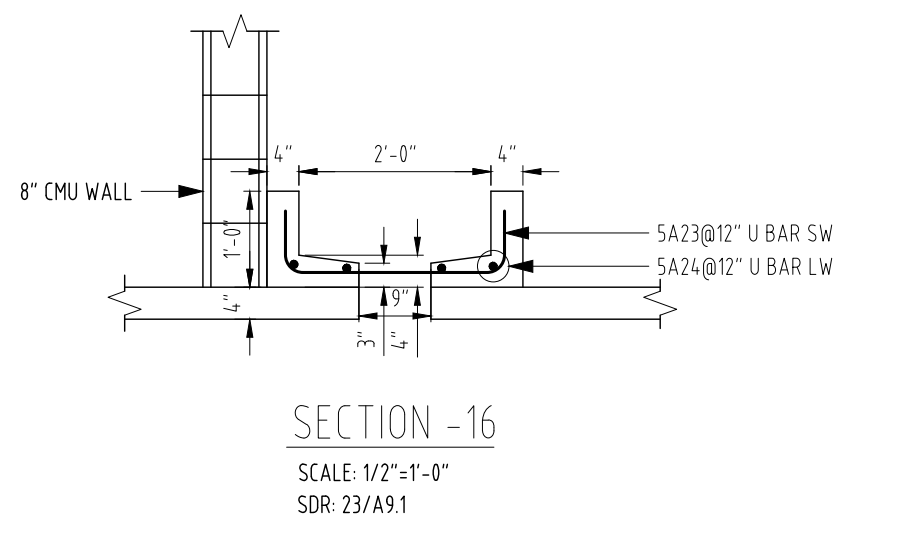
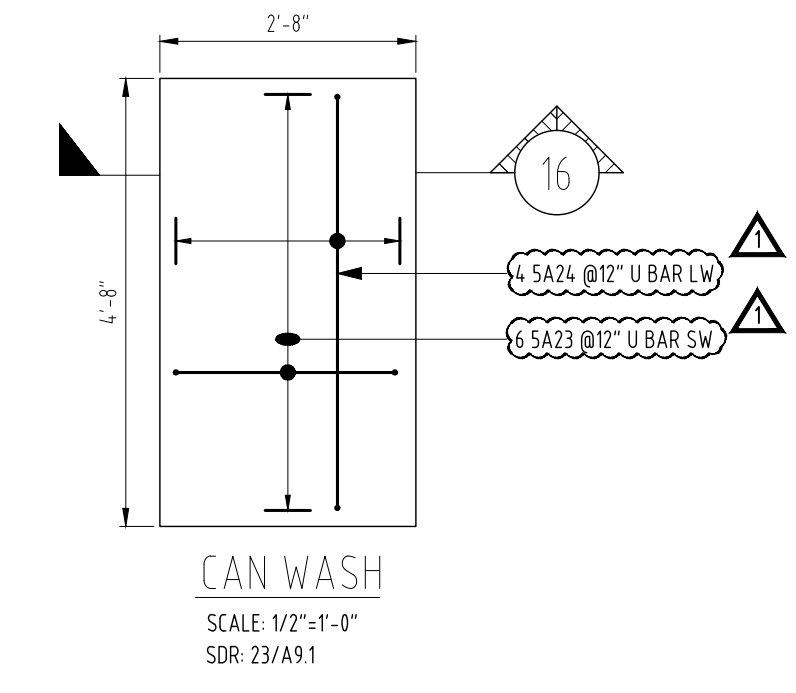
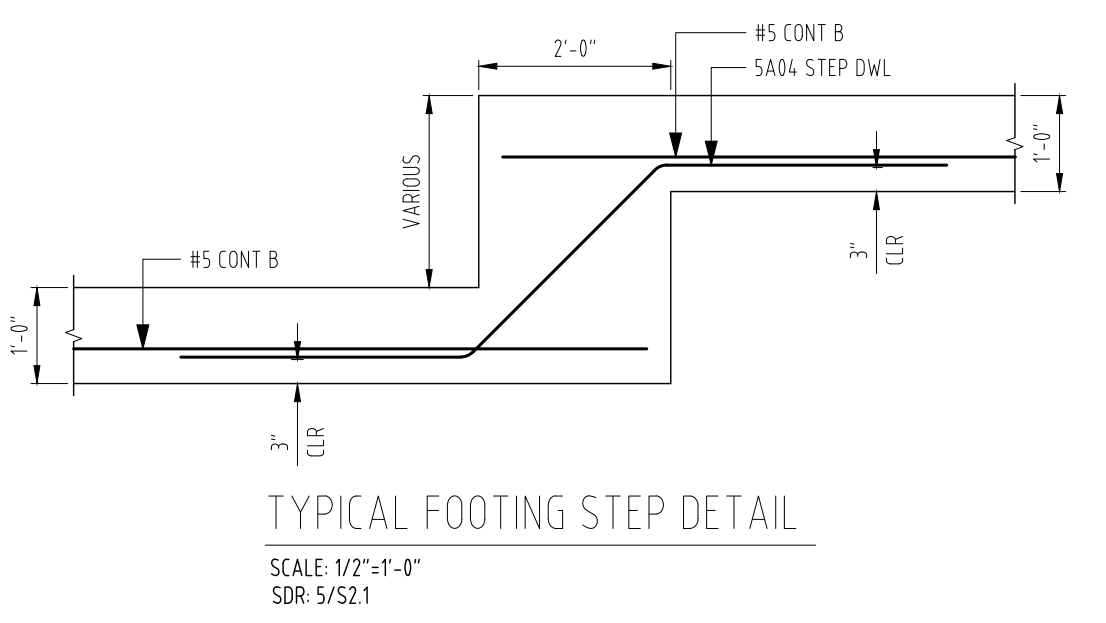
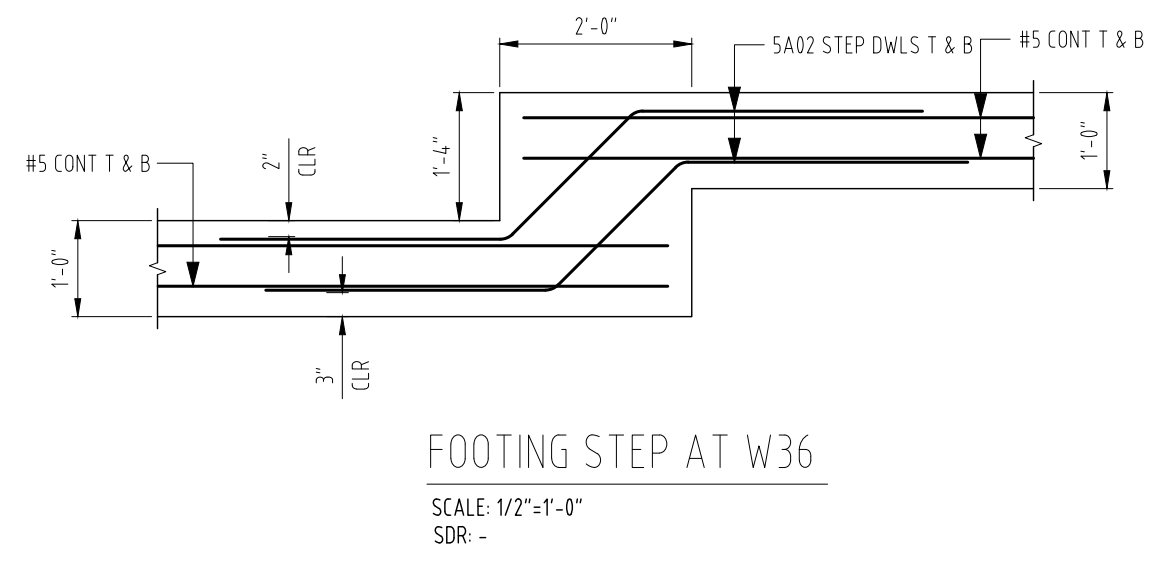
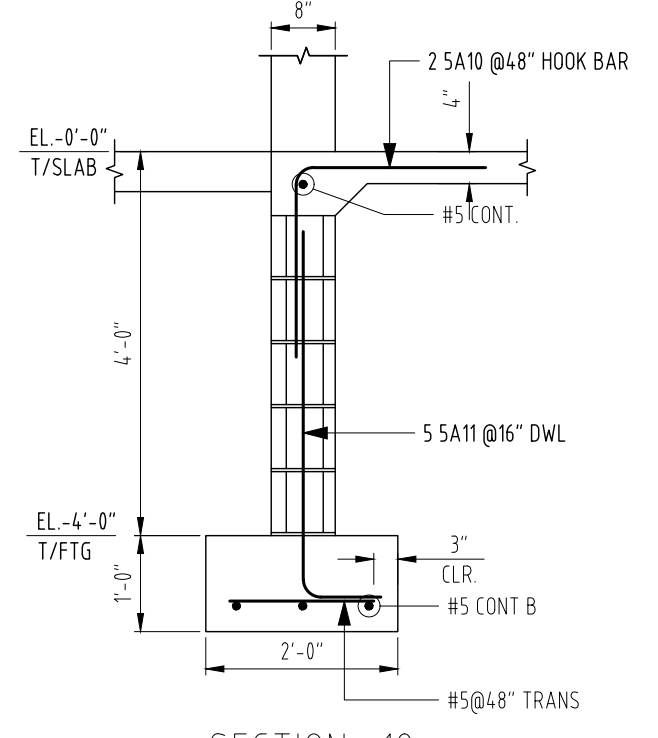
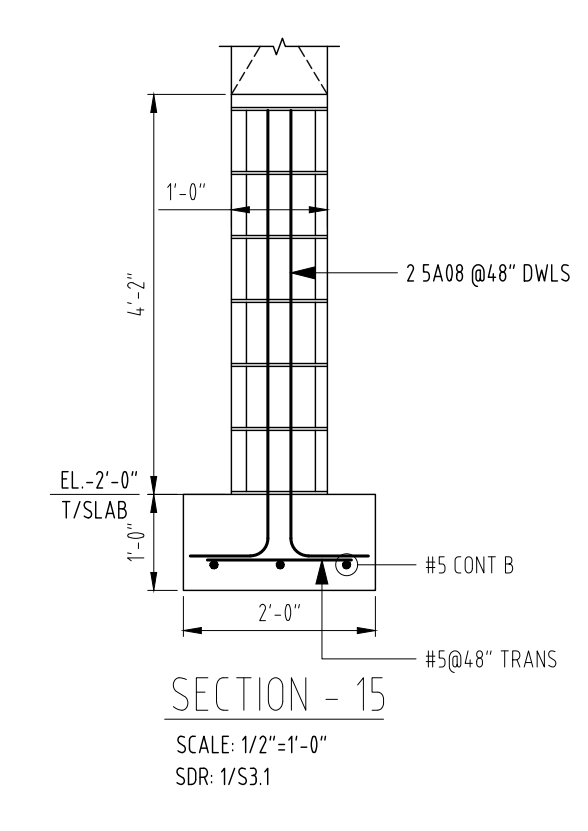
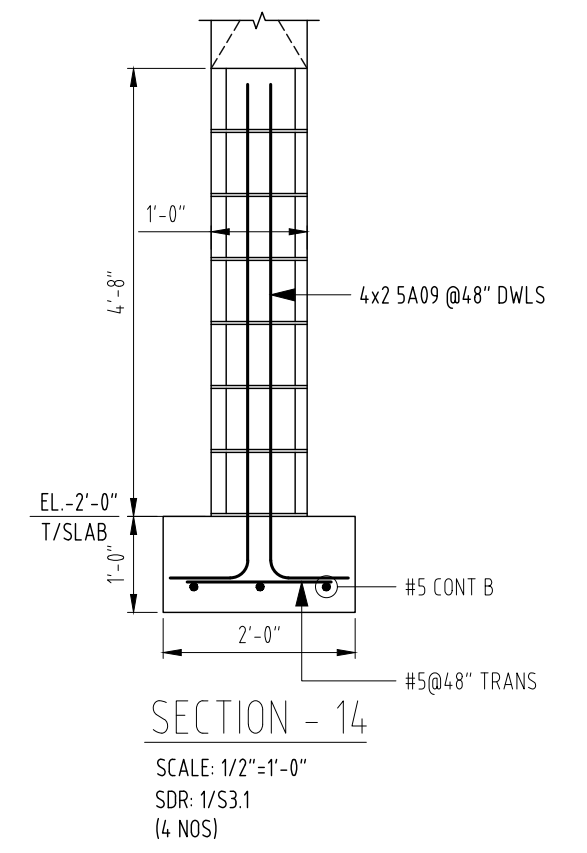
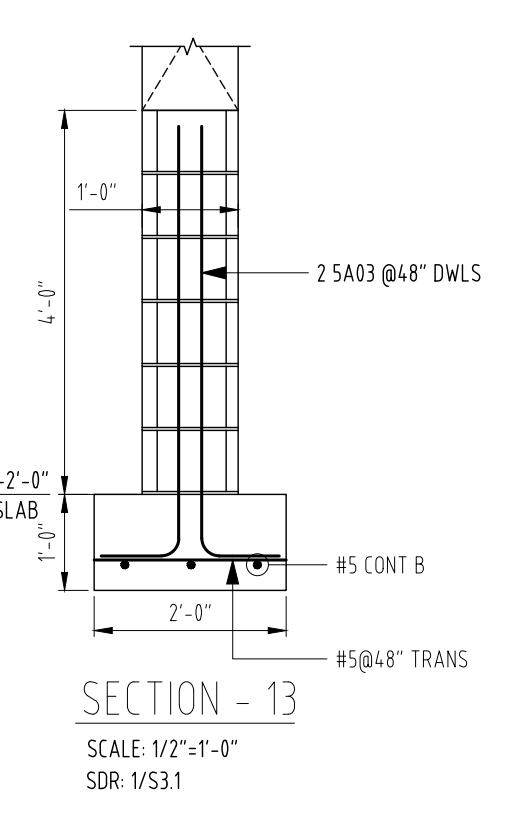
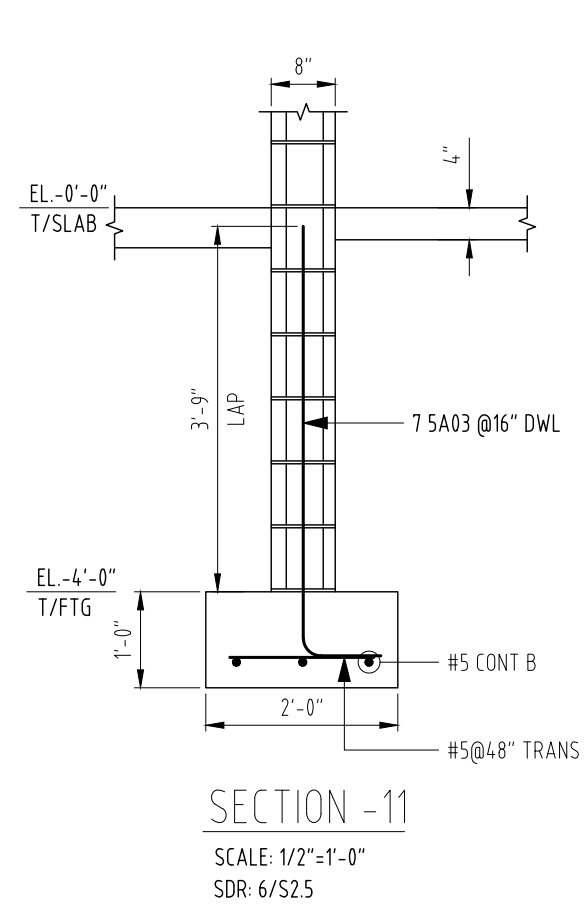
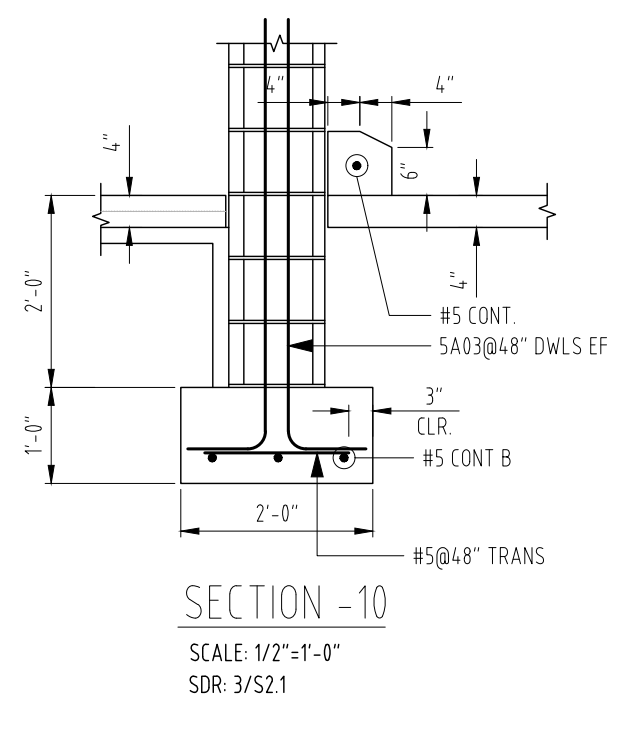
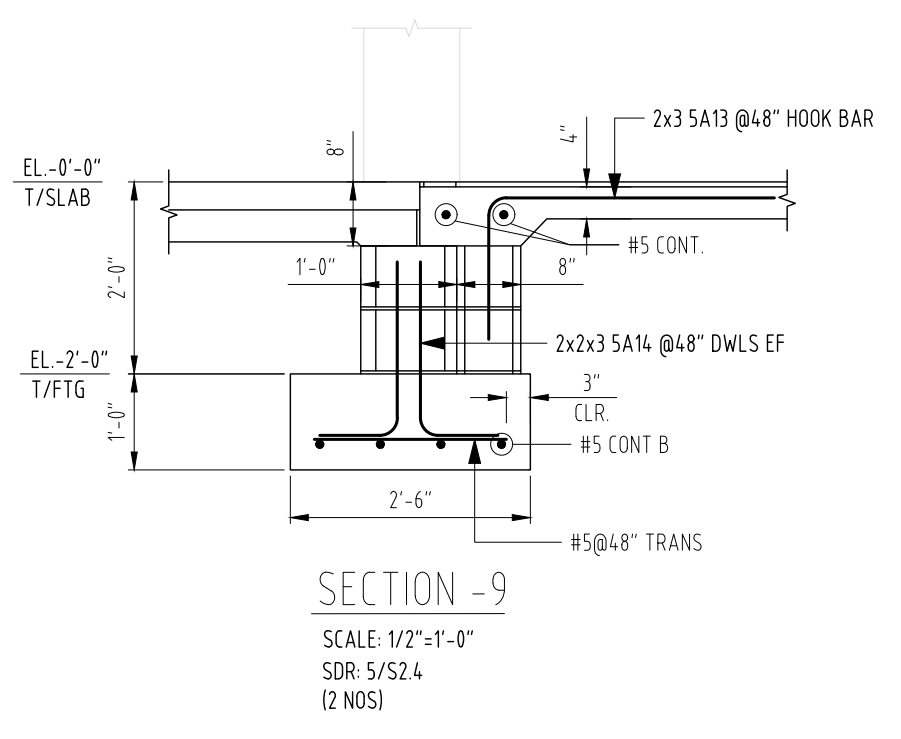
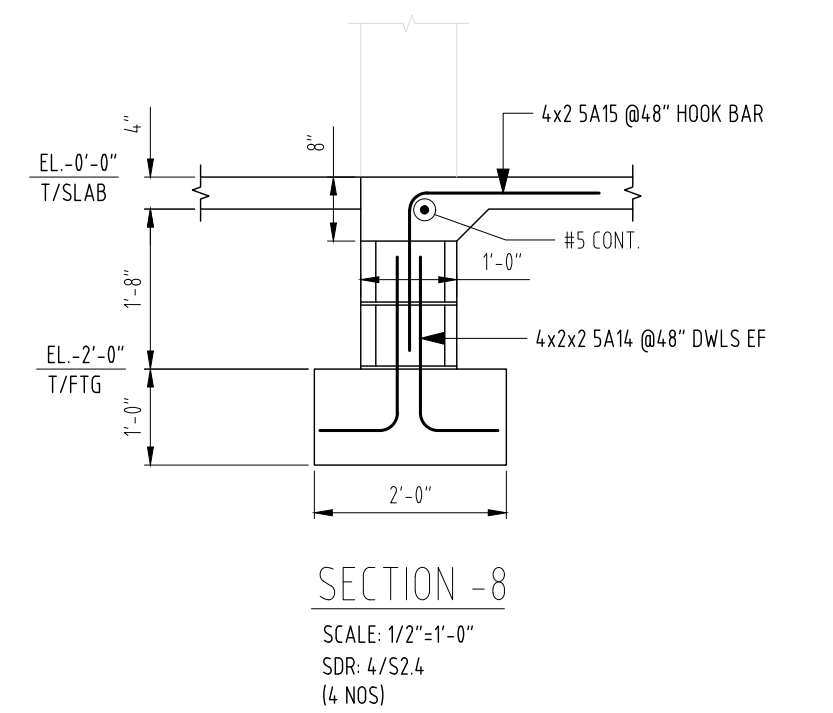
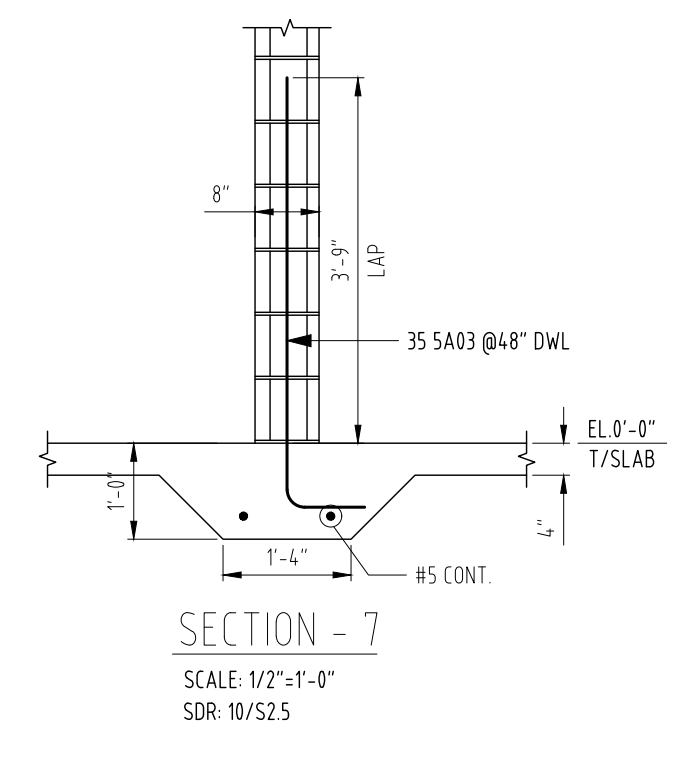
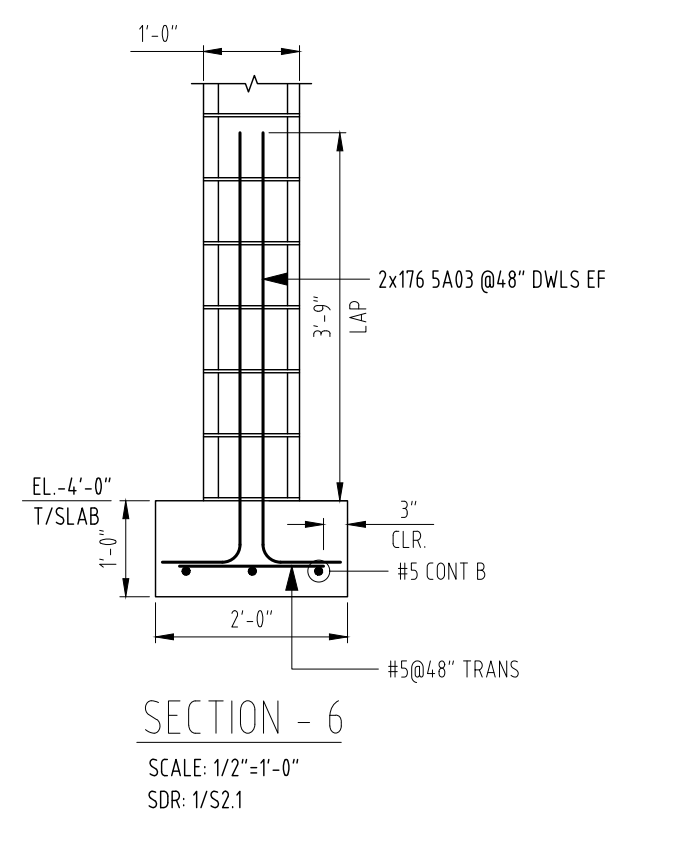
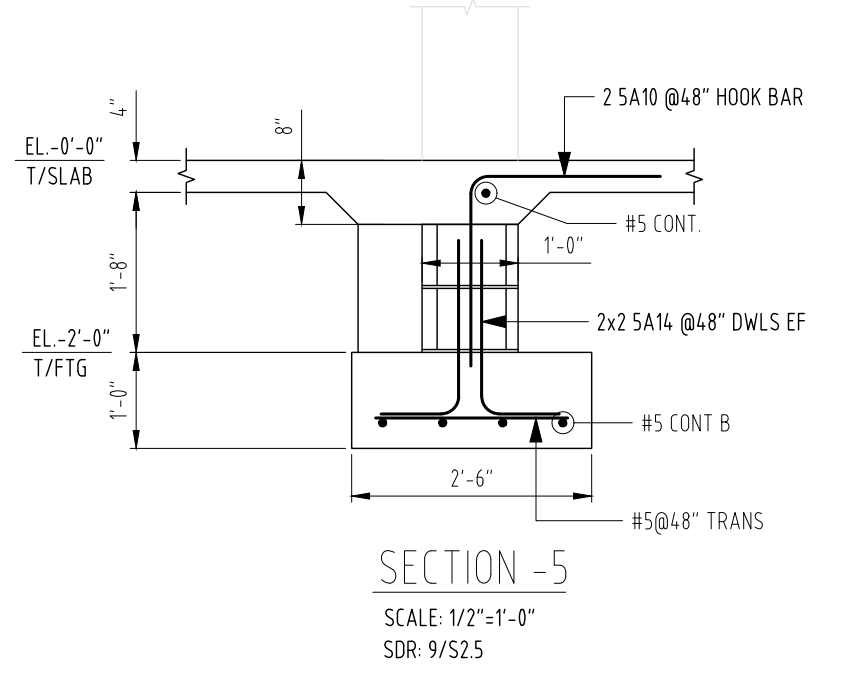
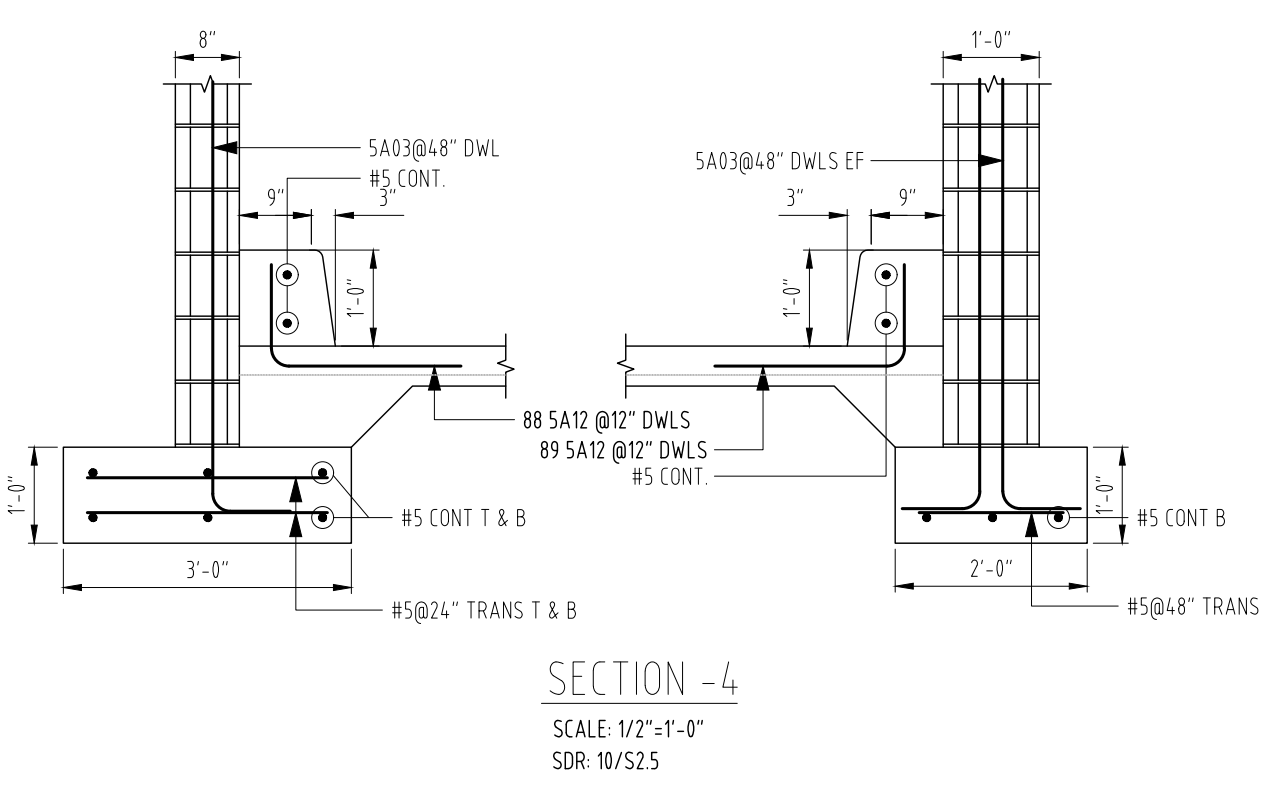
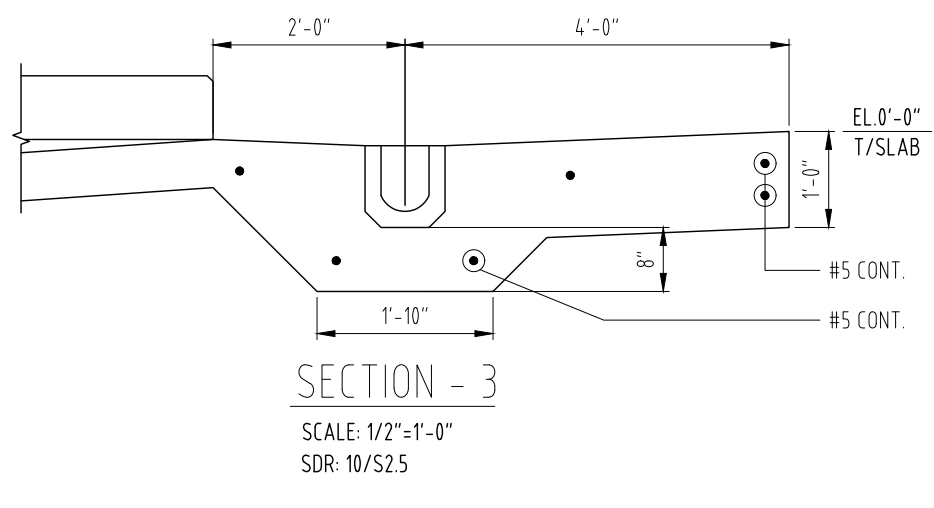
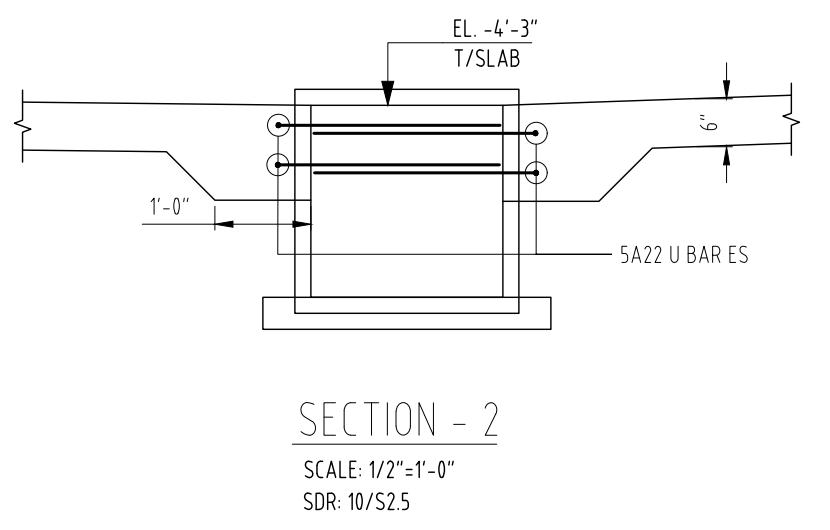
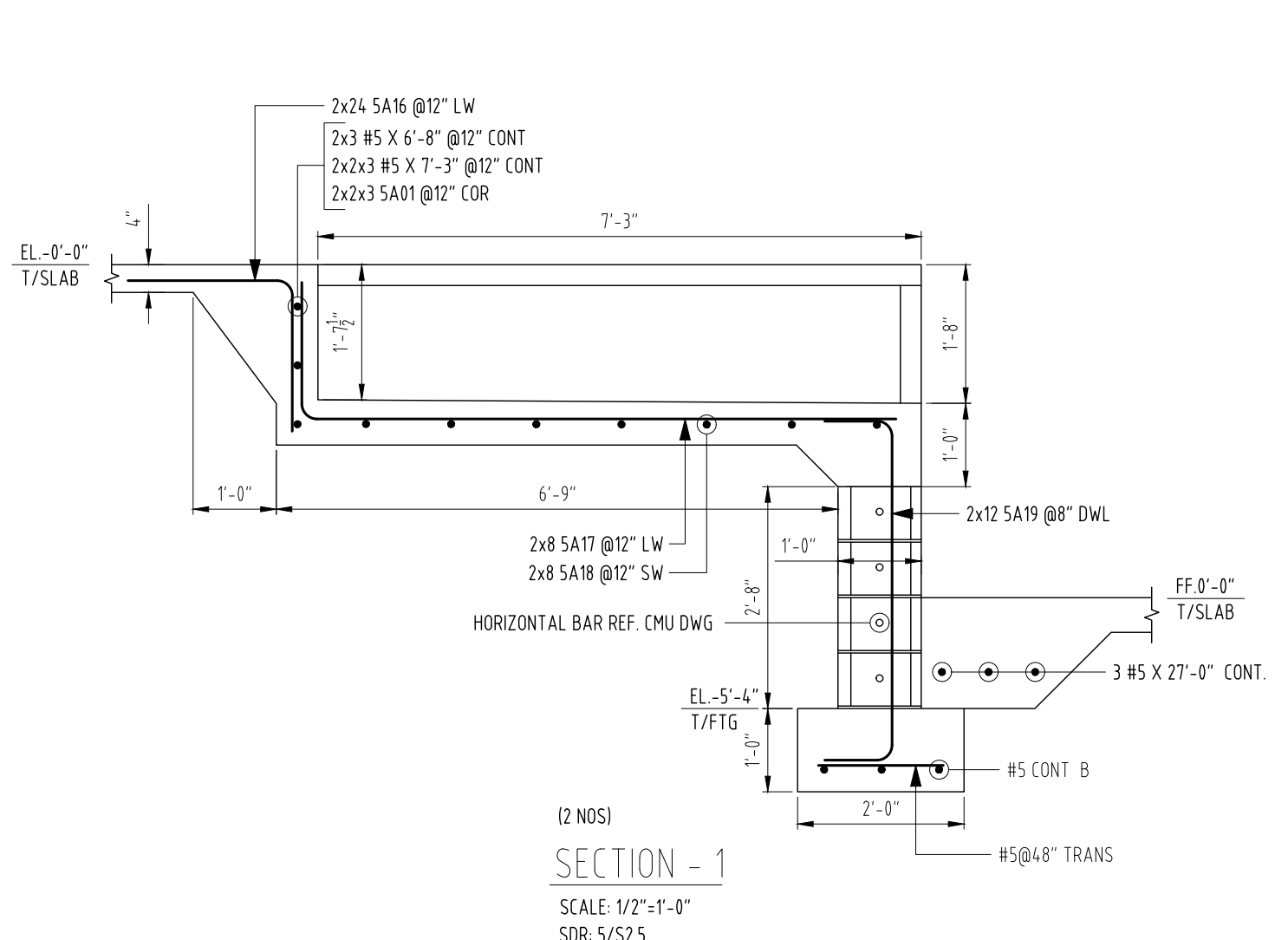
**FOR FABRICATION**

ASTM 615 - GR 60 - BLK

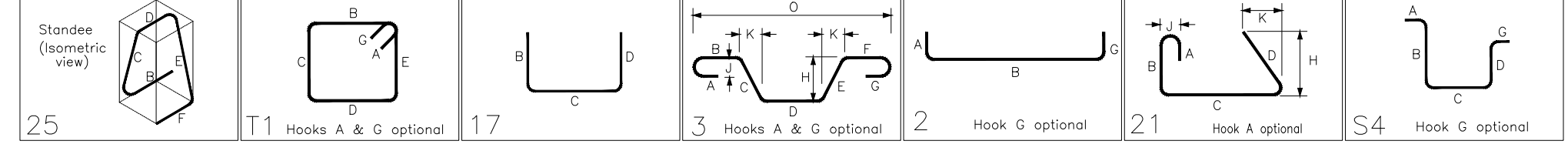
Project:	
Client:	
Level:	FOUNDATION
Description:	DOWELS & SOG
Location:	GA 30188
Branch:	
Phone:	
Address:	
State/City:	
Drawn by:	WES
Check by:	RK
Revision:	1
Date:	03/25/26

# R01C

Project:  
 Client:  
 Level: FOUNDATION  
 Description: SECTIONS  
 Location: GA 30188



Bar Mark	Qty	Size	Total Length	Type	X	Y	W	W	W	W	W	W	W	W	W
SA01	18	#3	5'-5.8"	25		1'-4"	0'-11.8"	0'-4"	0'-11.8"	1'-4"	0'-11.8"	0'-5.8"			
SA02	60	#3	5'-3.8"	25		1'-4"	0'-10.8"	0'-4"	0'-10.8"	1'-4"	0'-10.8"	0'-5.8"			
SA03	54	#3	15'-4.8"	11	0'-4.8"	3'-8"	3'-8"	3'-8"	3'-8"	0'-4.8"					
SA04	74	#3	12'-8.8"	11	0'-4.8"	3'-0"	3'-0"	3'-0"	3'-0"	0'-4.8"					
SA01	8	#4	4'-10"	17		2'-5"	2'-5"								
SA01	54	#5	8'-0"	17		3'-0"	3'-0"								
SA02	18	#5	7'-10.8"	3		3'-0"	1'-10.8"	3'-0"							
SA03	636	#5	5'-4"	2	0'-10"	4'-8"									
SA04	10	#5	8'-10"	3		3'-0"	2'-10"	3'-0"		2'-0.8"	1'-11.8"	2'-11.8"			
SA05	3	#5	5'-11.8"	3		3'-0"	2'-11.8"			2'-11.8"	0'-3"	3'-3"			
SA06	3	#5	5'-11.8"	21		3'-0"	2'-11.8"			3'-0"	0'-3.8"				
SA07	4	#5	6'-8"	17		3'-6"	3'-0"								
SA08	2	#5	5'-4"	2	0'-10"	4'-8"									
SA09	8	#5	6'-0"	2	0'-10"	5'-2"									
SA10	4	#5	4'-0"	17		2'-0"	2'-0"								
SA11	5	#5	4'-8"	2	0'-10"	3'-10"									
SA12	177	#5	3'-11"	17		1'-1"	2'-0"								
SA13	6	#5	4'-8"	17		1'-6"	3'-0"								
SA14	31	#5	2'-8"	2	0'-10"	1'-10"									
SA15	8	#5	3'-8"	17		1'-8"	2'-0"								
SA16	48	#5	3'-10"	17		1'-10"	2'-0"								
SA17	16	#5	6'-10"	17		1'-8"	2'-2"								
SA18	16	#5	9'-10"	17		1'-8"	6'-6"	1'-8"							
SA19	24	#5	5'-9.8"	2	0'-10"	4'-1.8"				0'-10"					
SA20	1	#5	8'-10"	17		2'-0"	6'-10"								
SA21	1	#5	10'-5"	17		2'-10"	7'-7"								
SA22	4	#5	7'-0"	17		2'-4"	2'-4"								
SA23	6	#5	3'-8"	17		0'-8"	2'-4"	0'-8"							
SA24	4	#5	5'-8"	17		0'-8"	4'-4"	0'-8"							
BA01	12	#6	13'-2"	54	1'-0"	4'-1.8"	2'-11"	4'-1.8"		1'-0"					
BA02	6	#6	13'-0"	54	1'-0"	4'-0.8"	2'-11"	4'-0.8"		1'-0"					
BA03	4	#6	15'-11"	54	1'-0"	5'-6"	2'-11"	5'-6"		1'-0"					
BA04	2	#6	10'-4"	54	1'-0"	5'-5"	2'-11"	5'-5"		1'-0"					
BA05	4	#6	11'-10"	54	1'-0"	3'-5.8"	2'-11"	3'-5.8"		1'-0"					
BA06	2	#6	11'-8"	54	1'-0"	3'-4.8"	2'-11"	3'-4.8"		1'-0"					
BA07	60	#6	9'-2"	54	1'-0"	2'-1.8"	2'-11"	2'-1.8"		1'-0"					
BA08	30	#6	9'-0"	54	1'-0"	2'-0.8"	2'-11"	2'-0.8"		1'-0"					
BA09	20	#6	9'-10"	54	1'-0"	2'-1.8"	3'-7"	2'-1.8"		1'-0"					
BA10	12	#6	3'-8"	54	1'-0"	2'-0.8"	3'-7"	2'-0.8"		1'-0"					
BA11	58	#6	10'-2"	54	1'-0"	2'-3.8"	3'-7"	2'-3.8"		1'-0"					
BA12	30	#6	10'-0"	54	1'-0"	2'-2.8"	3'-7"	2'-2.8"		1'-0"					
BA13	15	#6	10'-4"	54	1'-0"	2'-4.8"	3'-7"	2'-4.8"		1'-0"					



**FOR FABRICATION**  
 ASTM 615 - GR 60 - BLK

**R01D**

Branch:  
 Phone:  
 Address:  
 State/City:  
 Drawn by: WES  
 Check by: RK  
 Revision: 1  
 Date: 03/25/26

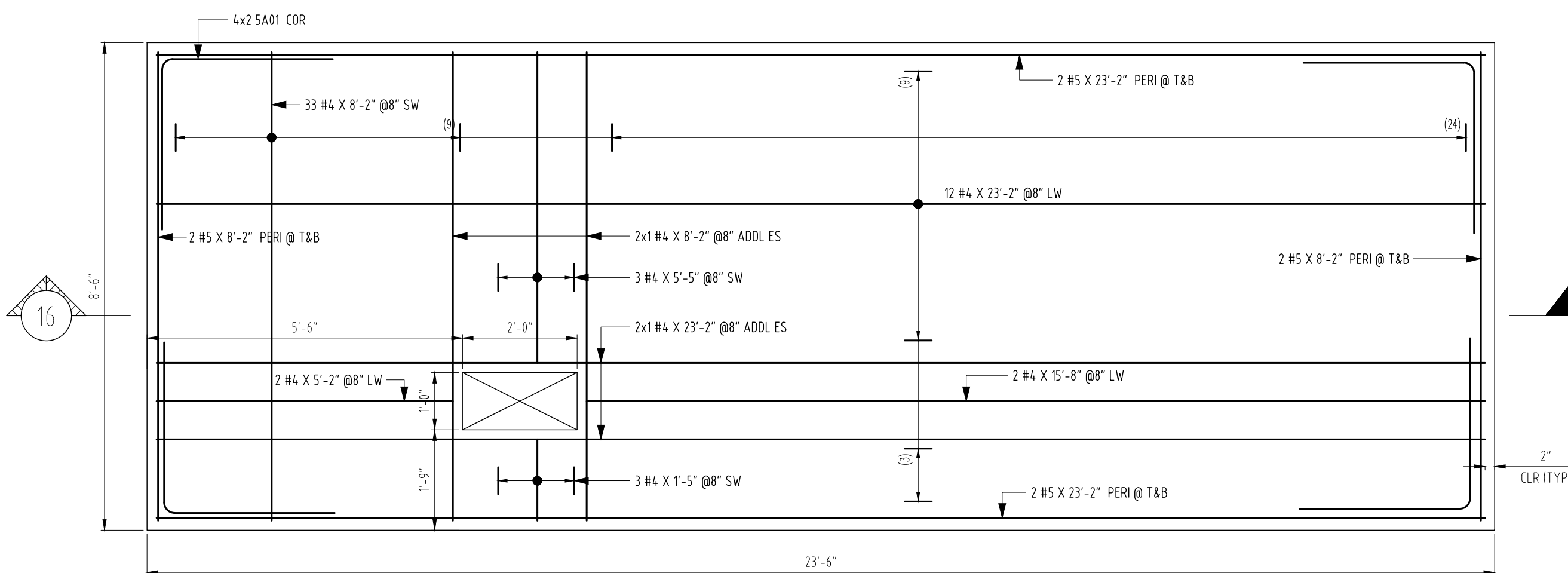
Project:

Client:

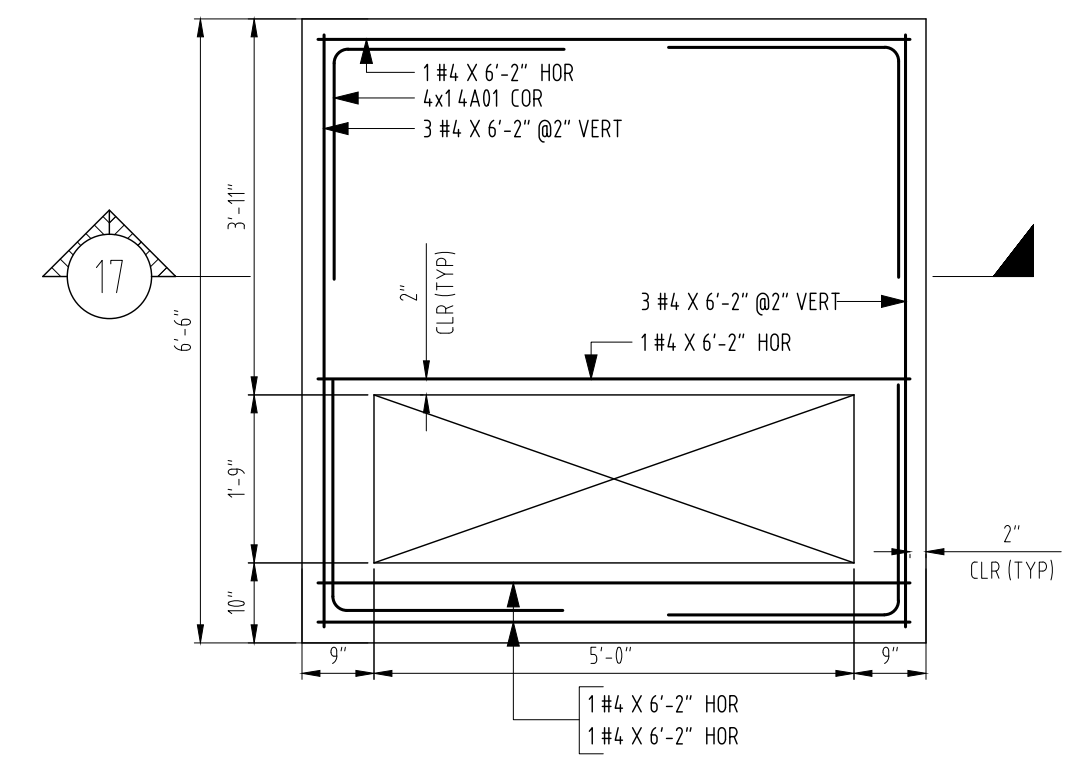
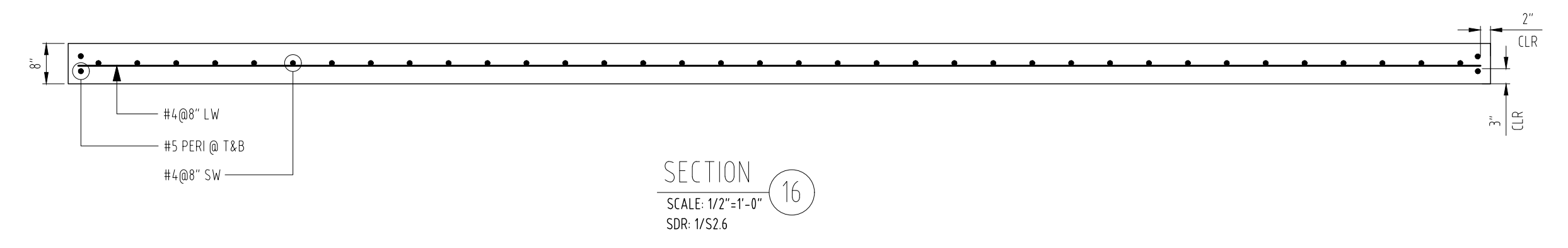
Level: FOUNDATION

Description: CONCRETE PAD

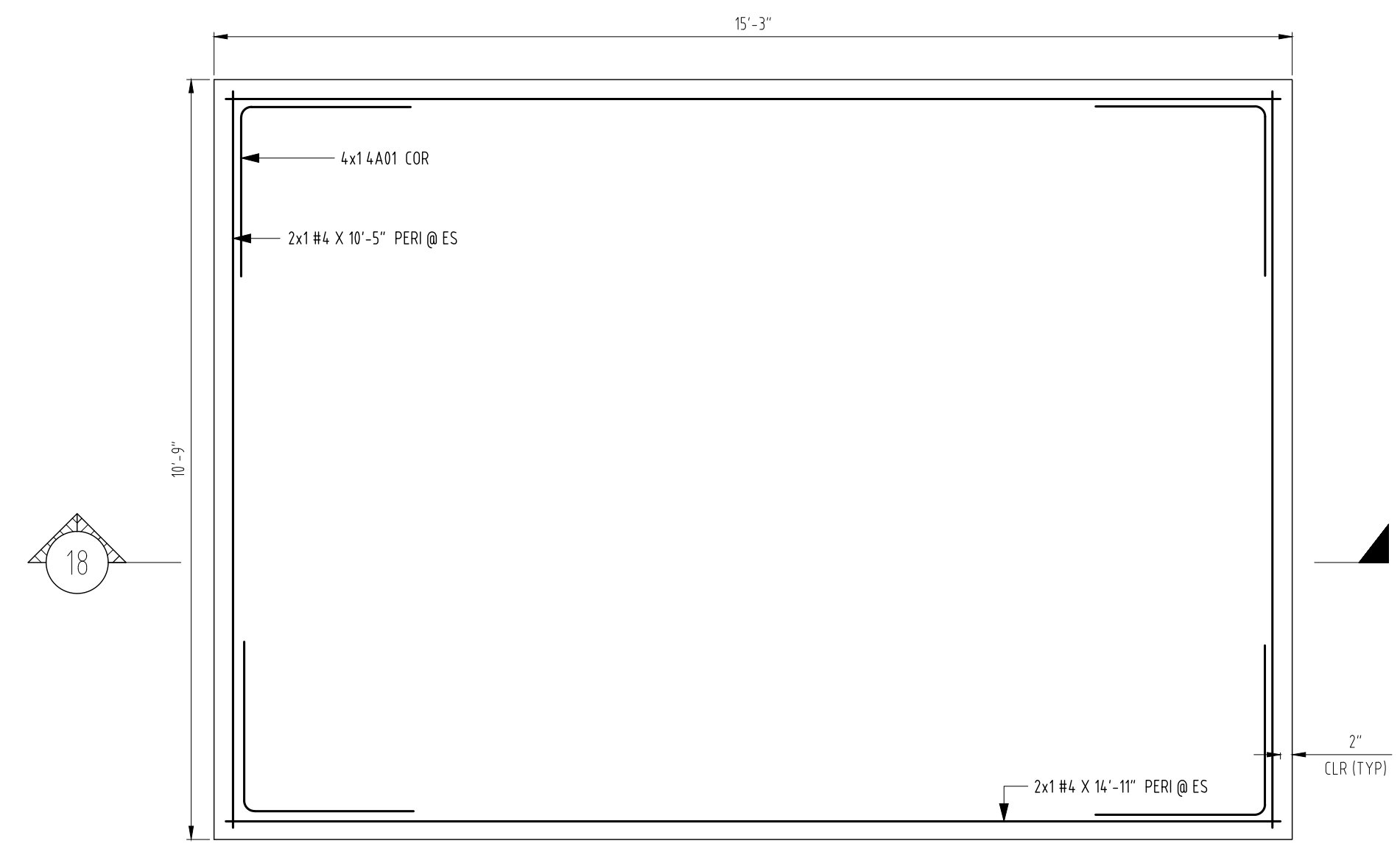
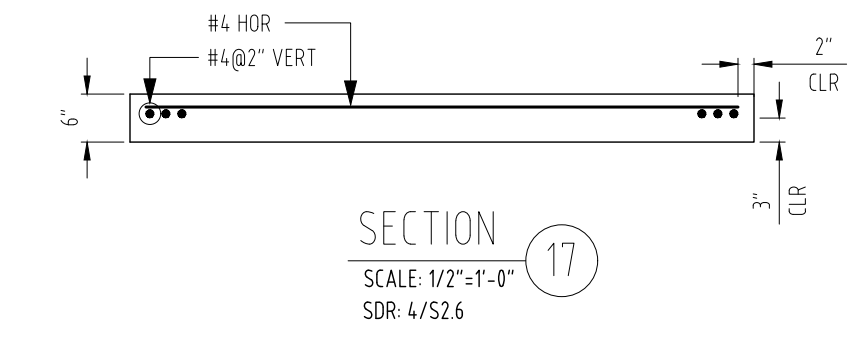
Location: GA 30188



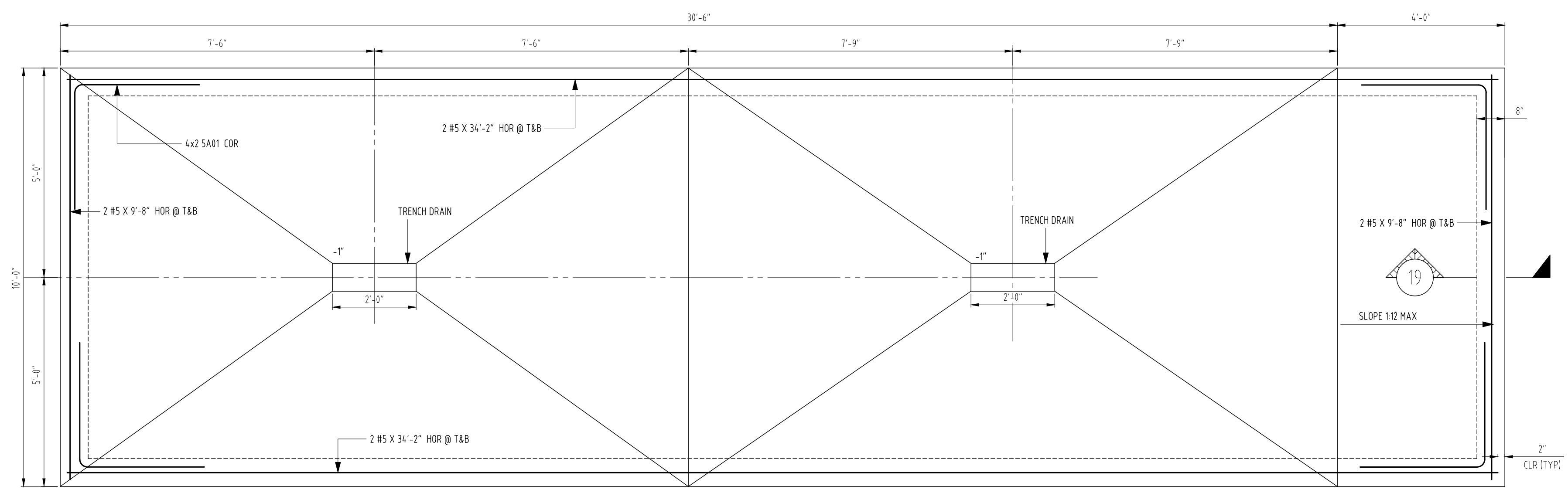
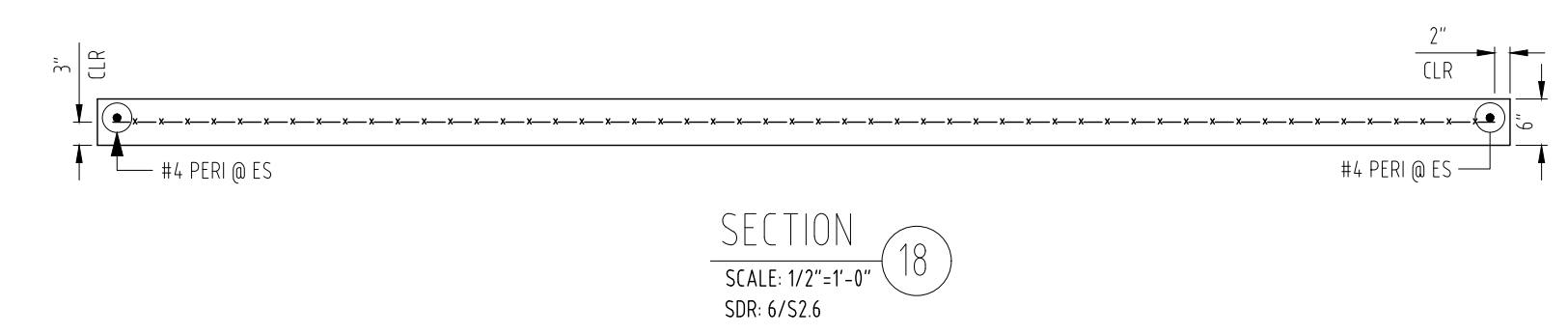
STANDBY (BAG) GENERATOR PAD  
SCALE: 1/2"=1'-0"  
SDR: S2.6



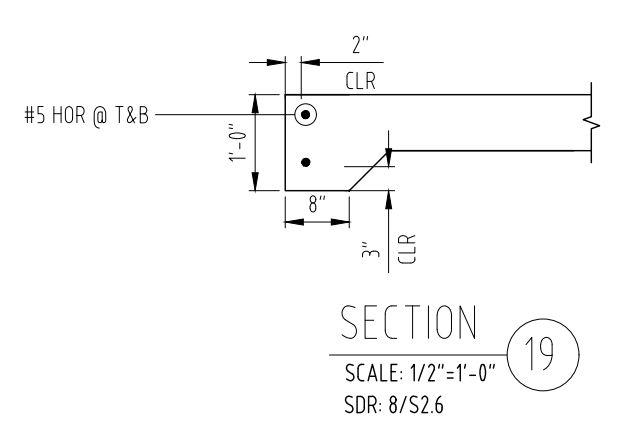
TRANSFORMER PAD  
SCALE: 1/2"=1'-0"  
SDR: S2.6



EMERGENCY GENERATOR PAD  
SCALE: 1/2"=1'-0"  
SDR: S2.6



COMPACTOR SLAB & SECTION  
SCALE: 1/2"=1'-0"  
SDR: S2.6



Branch:

Phone:

Address:

State/City:

Drawn by: WES

Check by: RK

Revision: 1

Date: 03/25/26

**FOR FABRICATION**

ASTM 615 - GR 60 - BLK

**R01E**