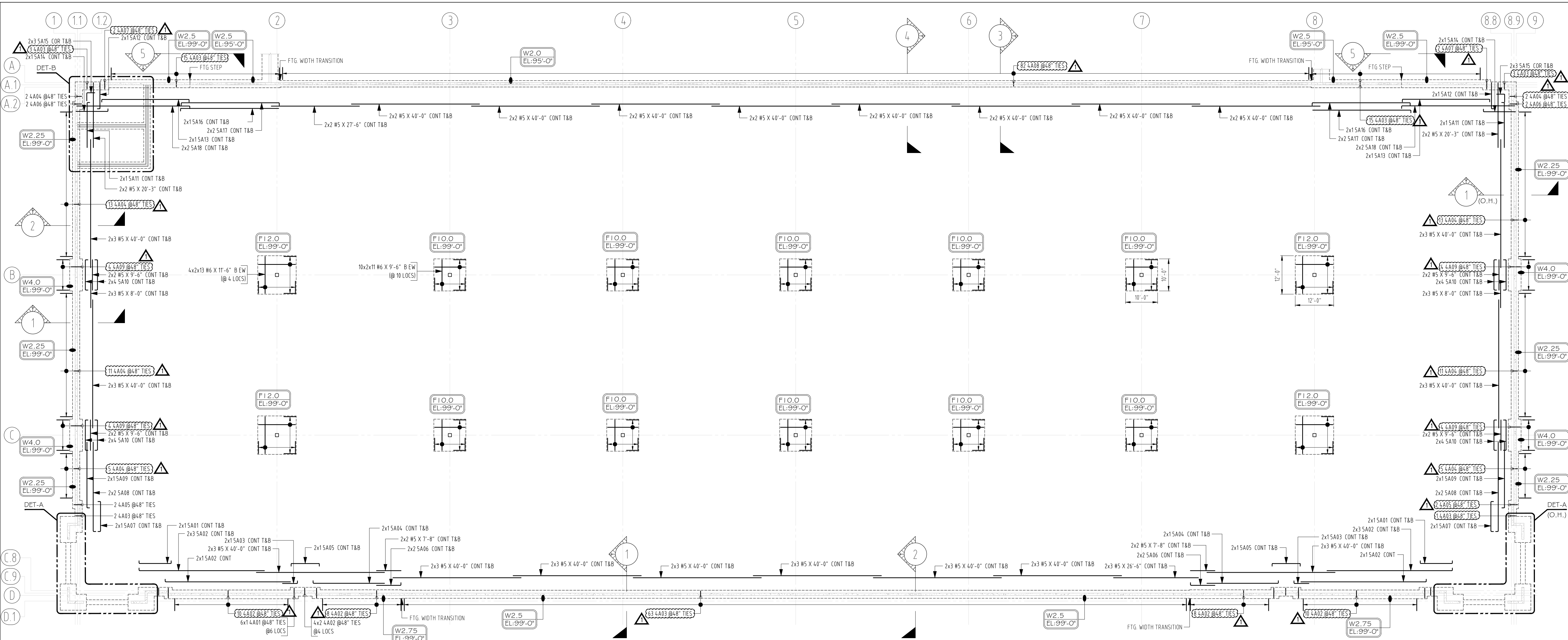
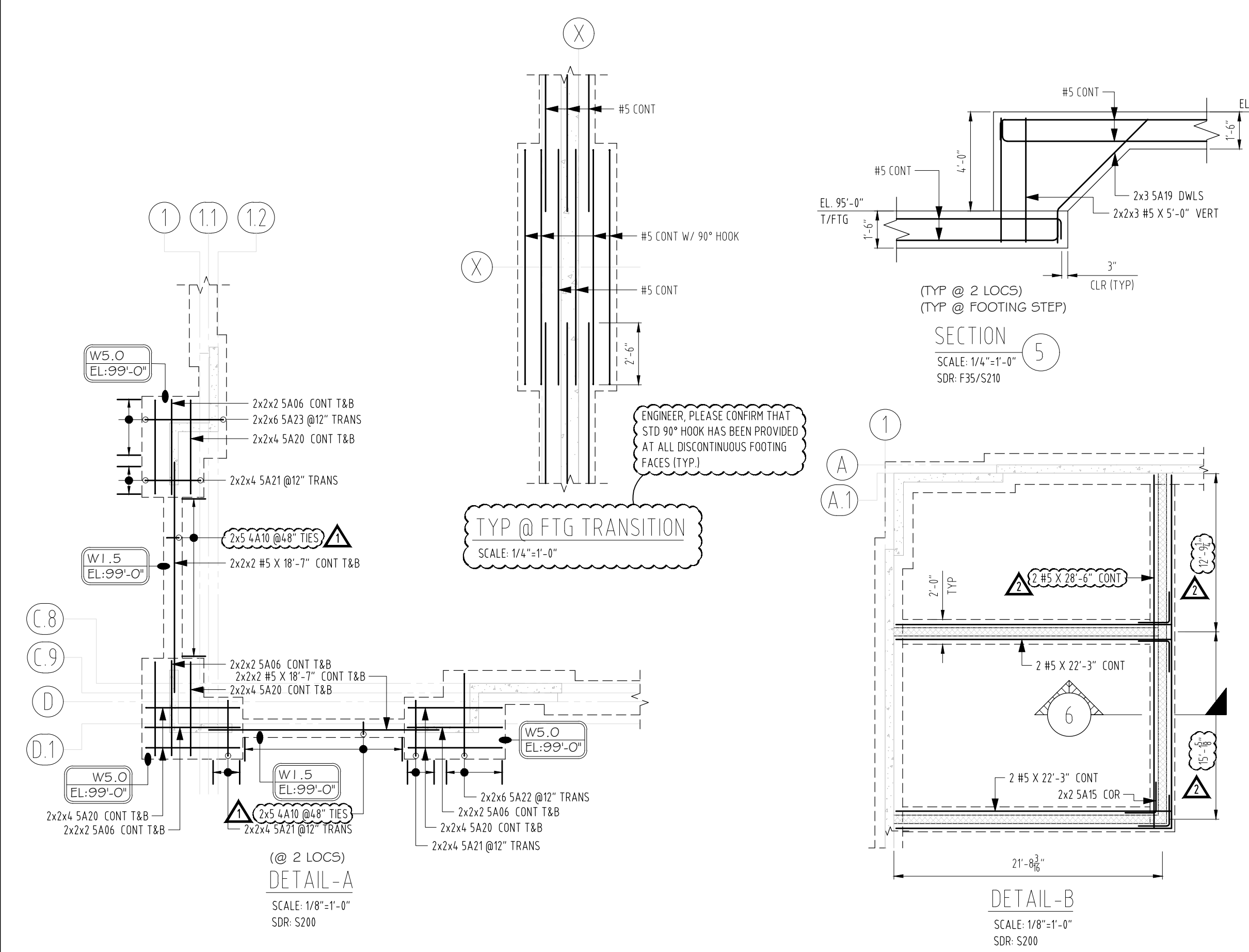
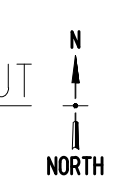


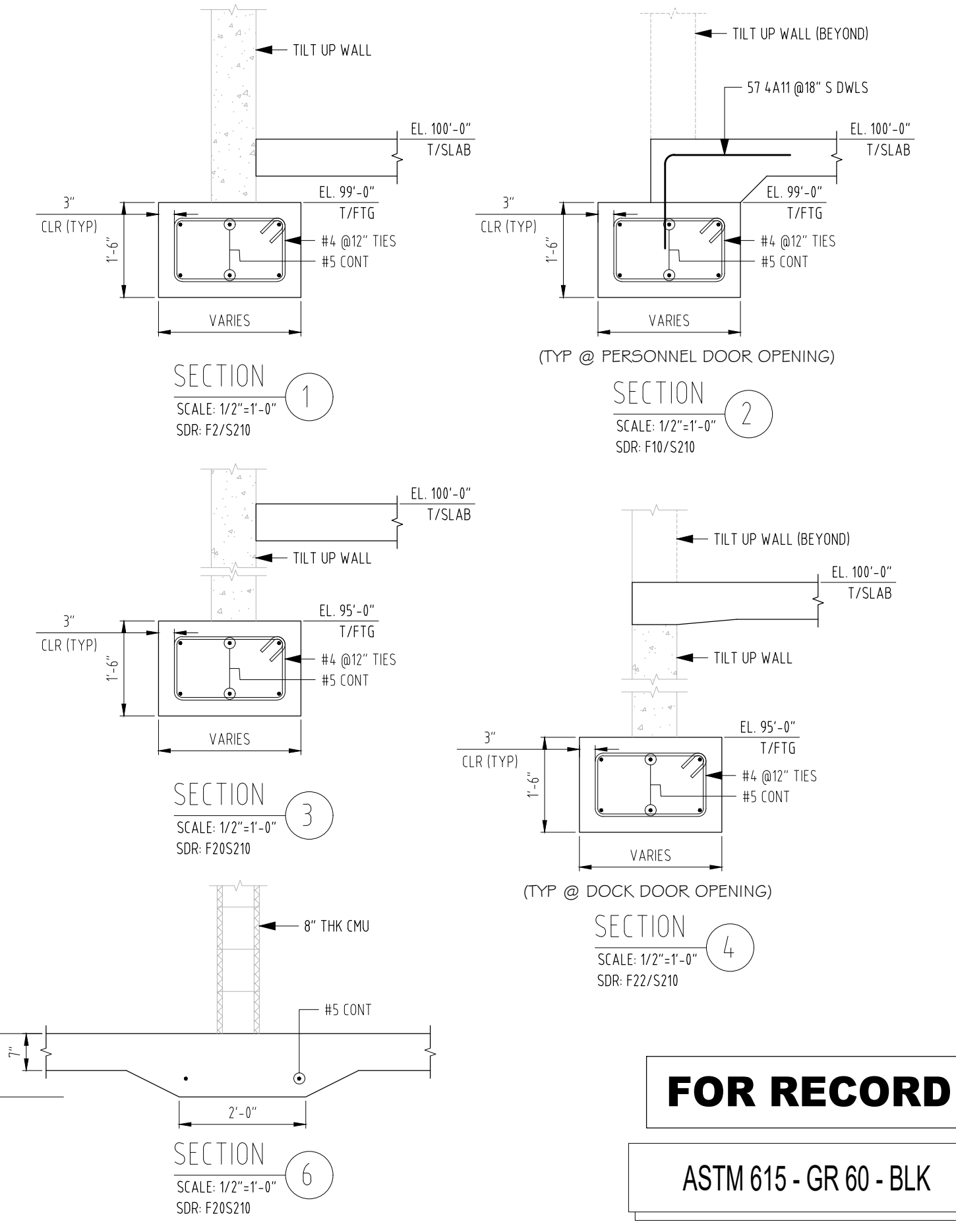
Project: _____
 Client: _____
 Level: FOUNDATION
 Description: SPREAD & CONT FOOTINGS
 Location: _____



BUILDING 2 - FOUNDATION REBAR LAYOUT
 SCALE: 1/16"=1'-0"
 SDR: S200



Bar Mark	Qty	Size	Total Length	Type	X'	Y'	X"	Y"	X"	Y"	X"	Y"	X"	Y"	X"	Y"
4A01	6	#4	8'-11"	T1	0'-4.8"	3'-1"	1'-0"	3'-1"	1'-0"	0'-4.8"						
4A02	44	#4	7'-3"	T1	0'-4.8"	2'-3"	1'-0"	2'-3"	1'-0"	0'-4.8"						
4A03	100	#4	6'-9"	T1	0'-4.8"	2'-0"	1'-0"	2'-0"	1'-0"	0'-4.8"						
4A04	60	#4	4'-3"	T1	0'-4.8"	1'-9"	1'-0"	1'-9"	1'-0"	0'-4.8"						
4A05	4	#4	7'-11"	T1	0'-4.8"	2'-3"	1'-0"	2'-3"	1'-0"	0'-4.8"						
4A06	4	#4	7'-7"	T1	0'-4.8"	2'-5"	1'-0"	2'-5"	1'-0"	0'-4.8"						
4A07	4	#4	8'-1"	T1	0'-4.8"	2'-8"	1'-0"	2'-8"	1'-0"	0'-4.8"						
4A08	80	#4	5'-9"	T1	0'-4.8"	1'-6"	1'-0"	1'-6"	1'-0"	0'-4.8"						
4A09	16	#4	9'-9"	T1	0'-4.8"	3'-6"	1'-0"	3'-6"	1'-0"	0'-4.8"						
4A10	20	#4	4'-9"	T1	0'-4.8"	1'-0"	1'-0"	1'-0"	1'-0"	0'-4.8"						
4A11	50	#4	3'-4"	T1		2'-0"	1'-0"	1'-0"	1'-0"	0'-4.8"						
5A01	4	#5	11'-2"	2	0'-10"	10'-1"				0'-10"						
5A02	16	#5	40'-8"	2	0'-10"	39'-2"				0'-10"						
5A03	4	#5	5'-8.8"	2	0'-10"	4'-8.8"				0'-10"						
5A04	4	#5	23'-2"	2	0'-10"	22'-4"				0'-10"						
5A05	4	#5	10'-6"	2	0'-10"	8'-10"				0'-10"						
5A06	40	#5	4'-8"	2	0'-10"	7'-8"				0'-10"						
5A07	4	#5	11'-1"	2	0'-10"	9'-5"				0'-10"						
5A08	8	#5	28'-9"	2	0'-10"	27'-11"				0'-10"						
5A09	4	#5	21'-4"	2	0'-10"	20'-6"				0'-10"						
5A10	32	#5	11'-2"	2	0'-10"	9'-6"				0'-10"						
5A11	4	#5	14'-11"	2	0'-10"	14'-1"				0'-10"						
5A12	4	#5	9'-0"	2	0'-10"	8'-2"				0'-10"						
5A13	4	#5	29'-4"	2	0'-10"	27'-4"				0'-10"						
5A14	4	#5	10'-10"	2	0'-10"	10'-0"				0'-10"						
5A15	16	#5	5'-0"	17		2'-6"				0'-10"						
5A16	4	#5	31'-6"	2	0'-10"	30'-8"				0'-10"						
5A17	8	#5	32'-4"	2	0'-10"	30'-8"				0'-10"						
5A18	8	#5	36'-2"	2	0'-10"	35'-4"				0'-10"						
5A19	4	#5	6'-5.8"	3		1'-4.8"				0'-10"						
5A20	64	#5	3'-3"	2	0'-10"	27'-4"				0'-10"						
5A21	48	#5	6'-2"	2	0'-10"	4'-6"				0'-10"						
5A22	24	#5	8'-4"	2	0'-10"	6'-8"				0'-10"						
5A23	24	#5	8'-0"	2	0'-10"	6'-4"				0'-10"						



FOR RECORD
 ASTM 615 - GR 60 - BLK

R01

Branch: _____
 Phone: _____
 Address: _____
 State/City: _____
 Drawn by: WES
 Check by: RK
 Revision: 02
 Date: 01/19/26

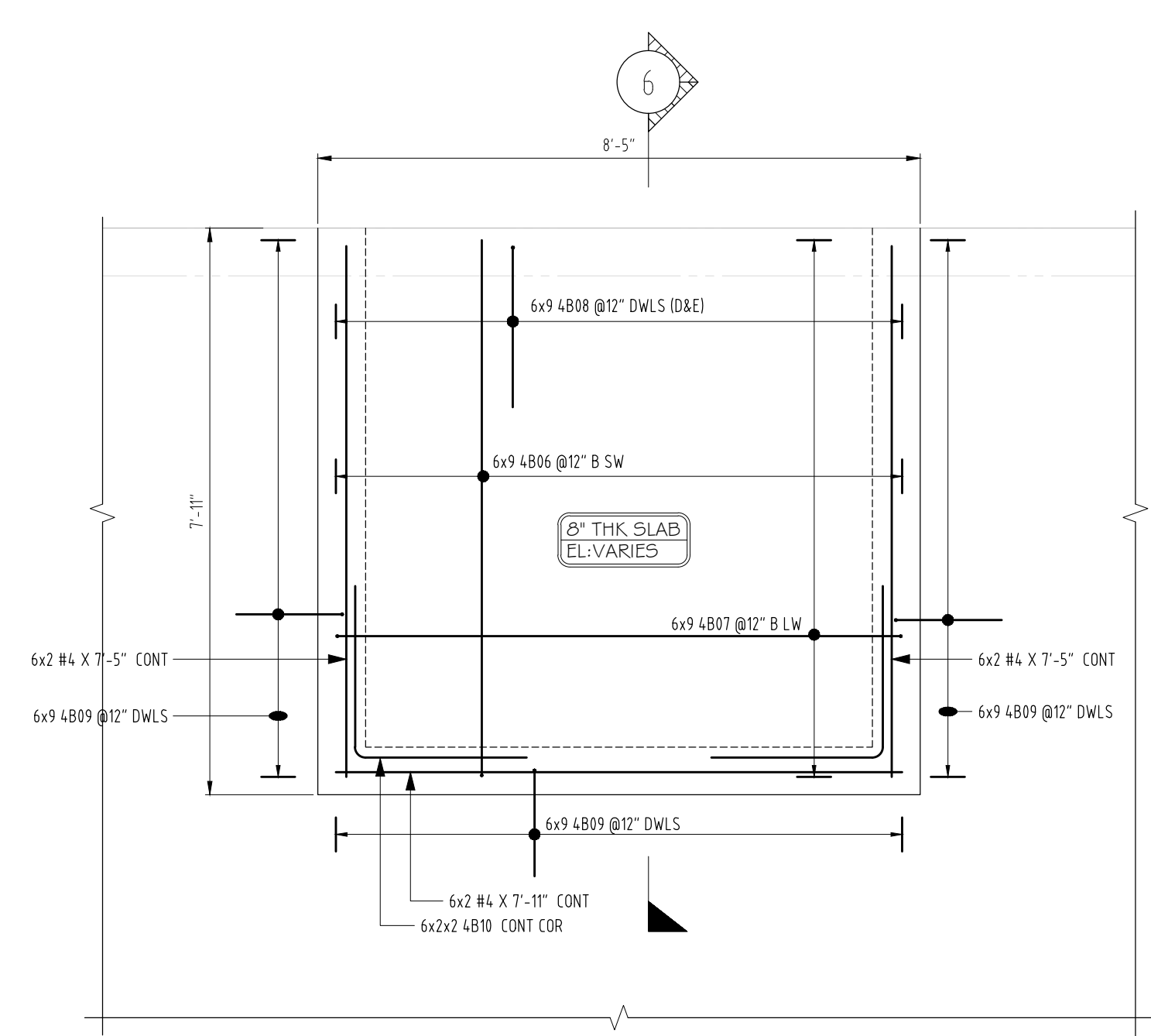
Project:

Client: -

Level: FOUNDATION

Description: SLAB ON GRADE

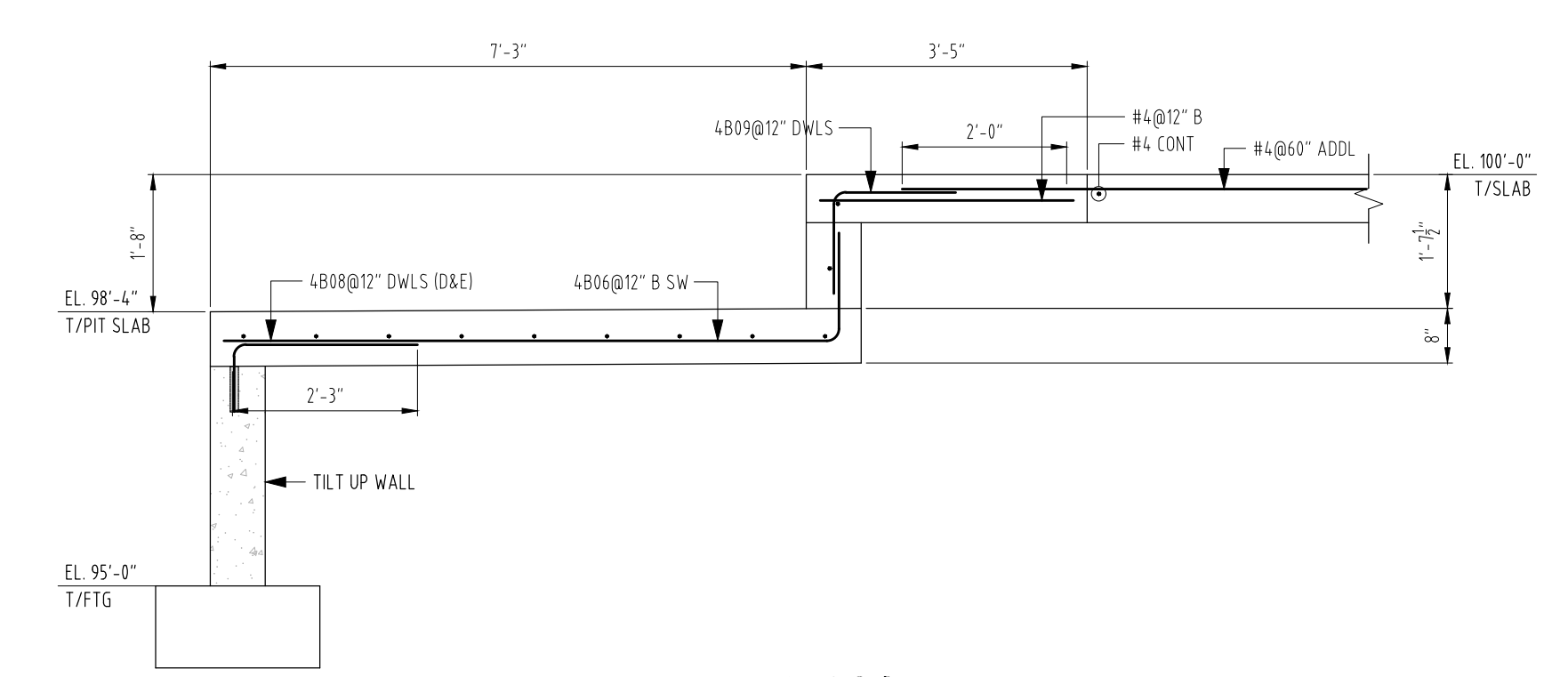
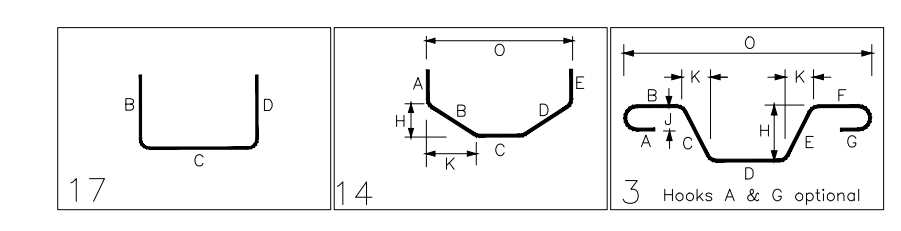
Location: -



(@6 LACS)
DETAIL - A
 SCALE: 1/2"=1'-0"
 SOB: LC/SZ11

Drawing Sheet : R02

Bar Mark	Qty	Size	Total Length	Type	X	Y	Z	W	V	U	T	S	R	Q	P	O	N	M	L	K	J	I	H	G	F	E	D	C	B	A
4801	69	#4	3'-11"	17		0'-11"	3'-0"																							
4802	4	#4	4'-0"	17		2'-0"	2'-0"																							
4803	22	#4	8'-4"	17		2'-7"	3'-2"																							
4804	22	#4	9'-0"	14		3'-5"	2'-2"																							
4805	112	#4	4'-1"	3		1'-0"	3'-9"																							
4806	54	#4	8'-10"	17		1'-4"	7'-6"																							
4807	54	#4	10'-7"	17		1'-4"	7'-11"																							
4808	54	#4	3'-1"	17		0'-10"	2'-5"																							
4809	162	#4	2'-0"	17		1'-5"	1'-6"																							
4810	24	#4	4'-10"	17		2'-5"	2'-5"																							



SECTION 6
 SCALE: 1/2"=1'-0"
 SOB: LC/SZ11

FOR RECORD
 ASTM 615 - GR 60 - BLK

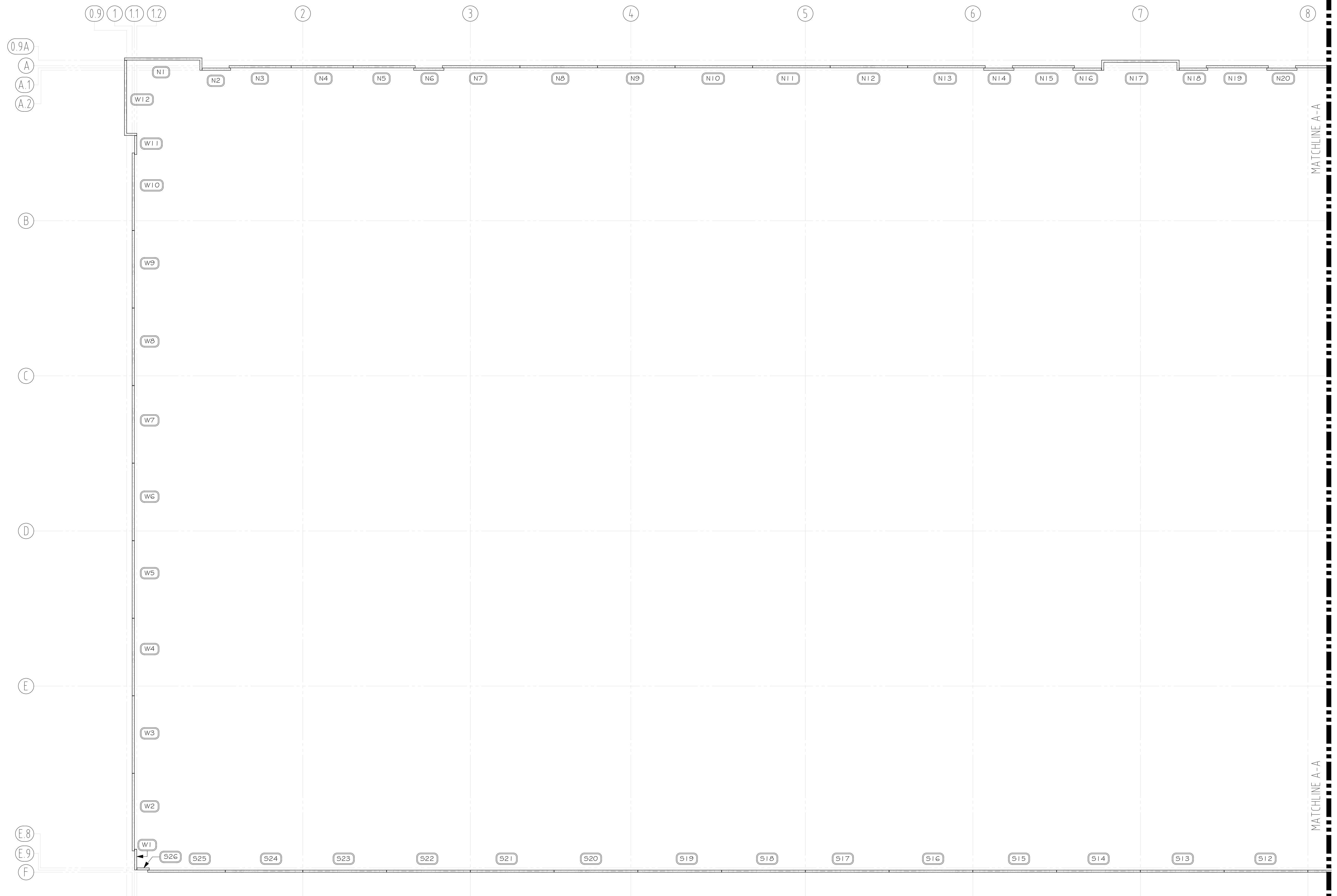
R02A

Drawn by: WES

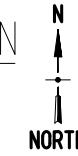
Check by: RK

Revision: 01

Date: 10/01/25



BUILDING 1 - TILT-UP WALL PANEL - KEY PLAN
 SCALE: 1/16"=1'-0"
 SDR: S200, S201 & S400



Project:

Client: —

Level: FOUNDATION TO ROOF

Description: TILT-UP WALL PANEL

Location: —

Drawn by: WES

Check by: RK

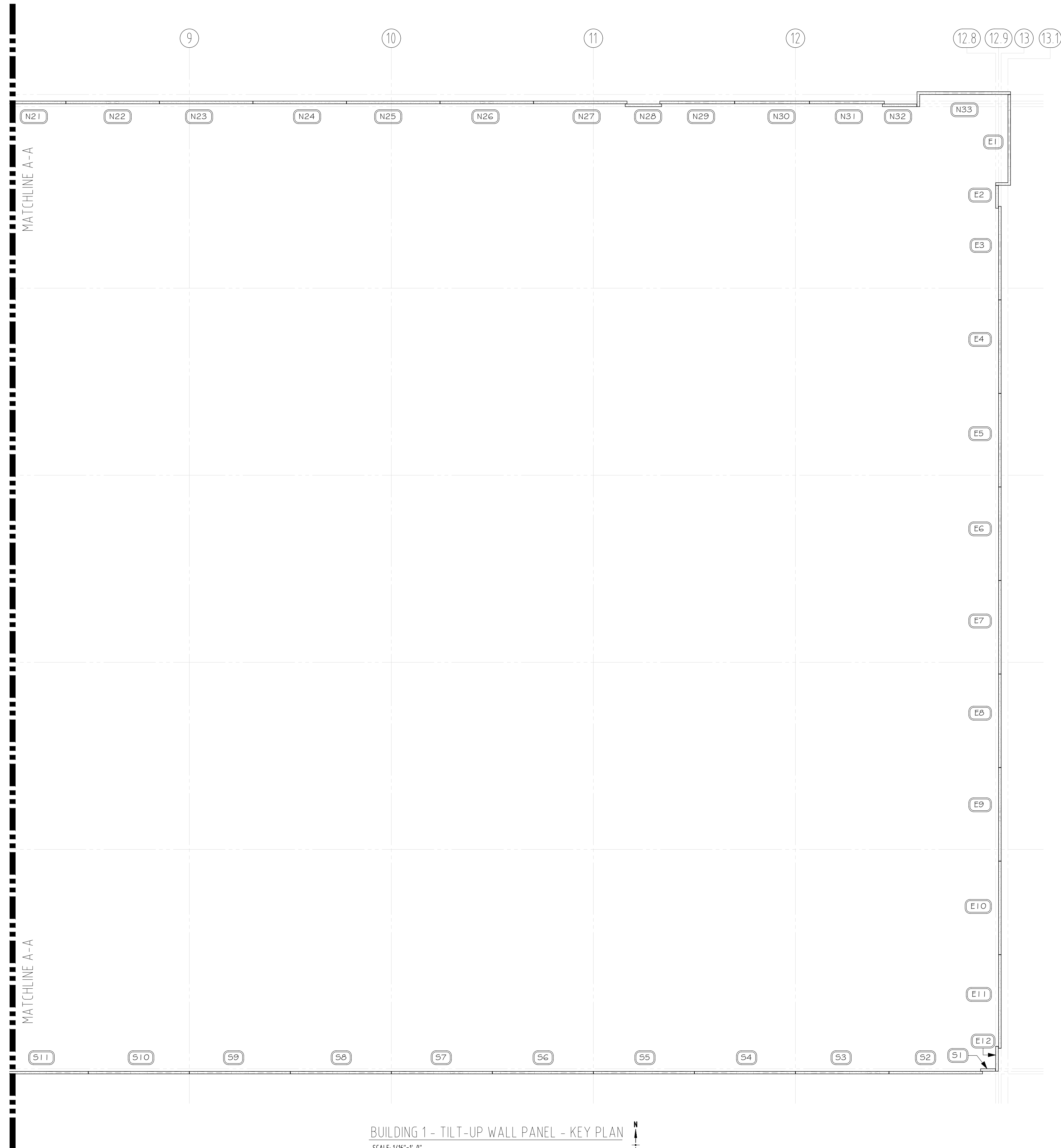
Revision: 02

Date: 12/11/25

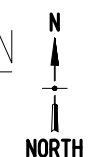
FOR FIELD USE

ASTM 615 - GR 60 - BLK

R05



BUILDING 1 - TILT-UP WALL PANEL - KEY PLAN
 SCALE: 1/16"=1'-0"
 SDR: S200, S201 & S400



Project: _____
 Client: _____
 Level: FOUNDATION TO ROOF
 Description: TILT-UP WALL PANEL
 Location: _____

Drawn by: WES
 Check by: RK
 Revision: 02
 Date: 12/11/25

FOR FIELD USE
 ASTM 615 - GR 60 - BLK

R05A

Project:

Client:

Level: FOUNDATION TO ROOF

Description: TILT-UP WALL PANEL

Location:

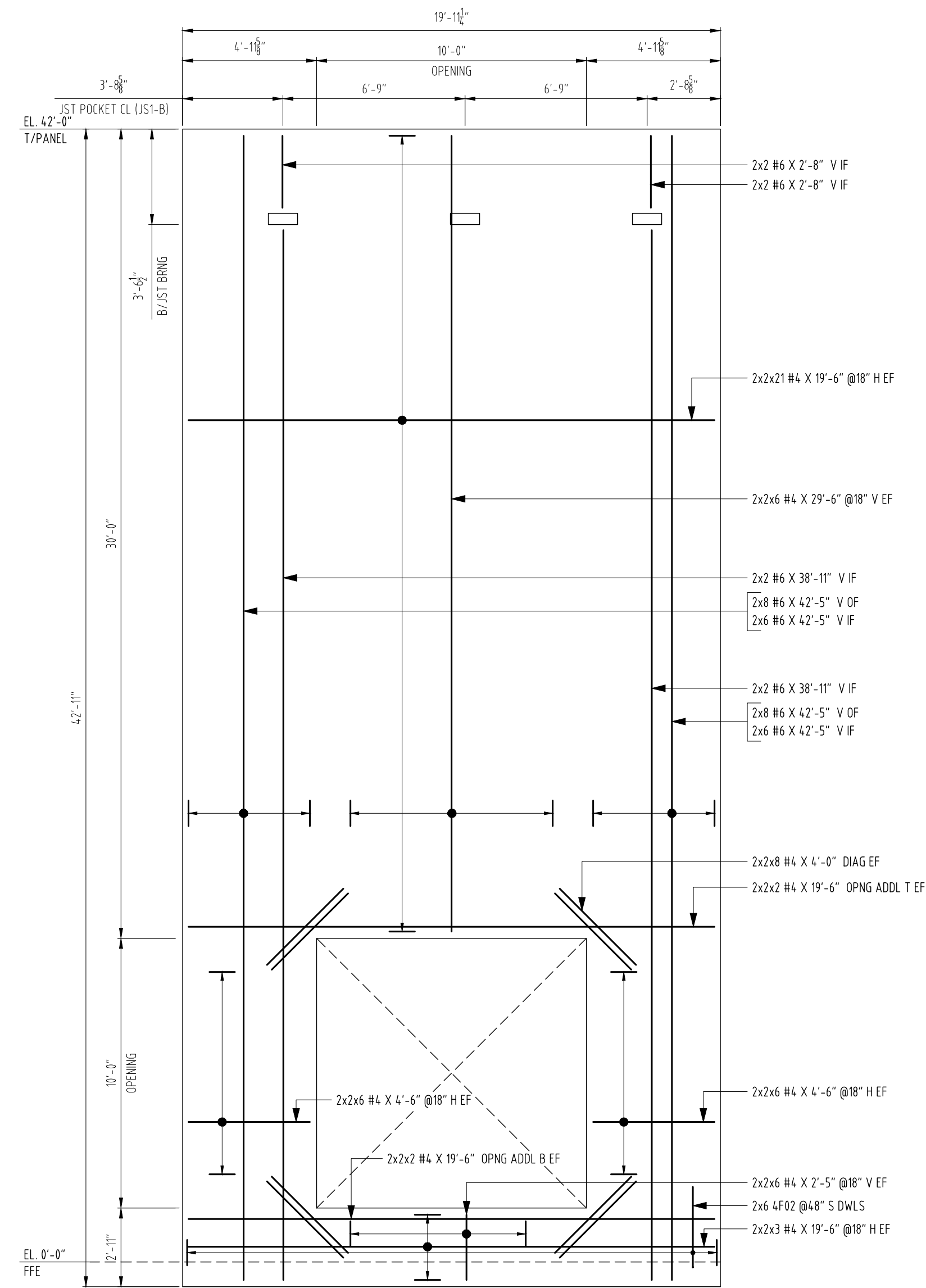
Drawn by: WES

Check by: RK

Revision: 02

Date: 12/11/25

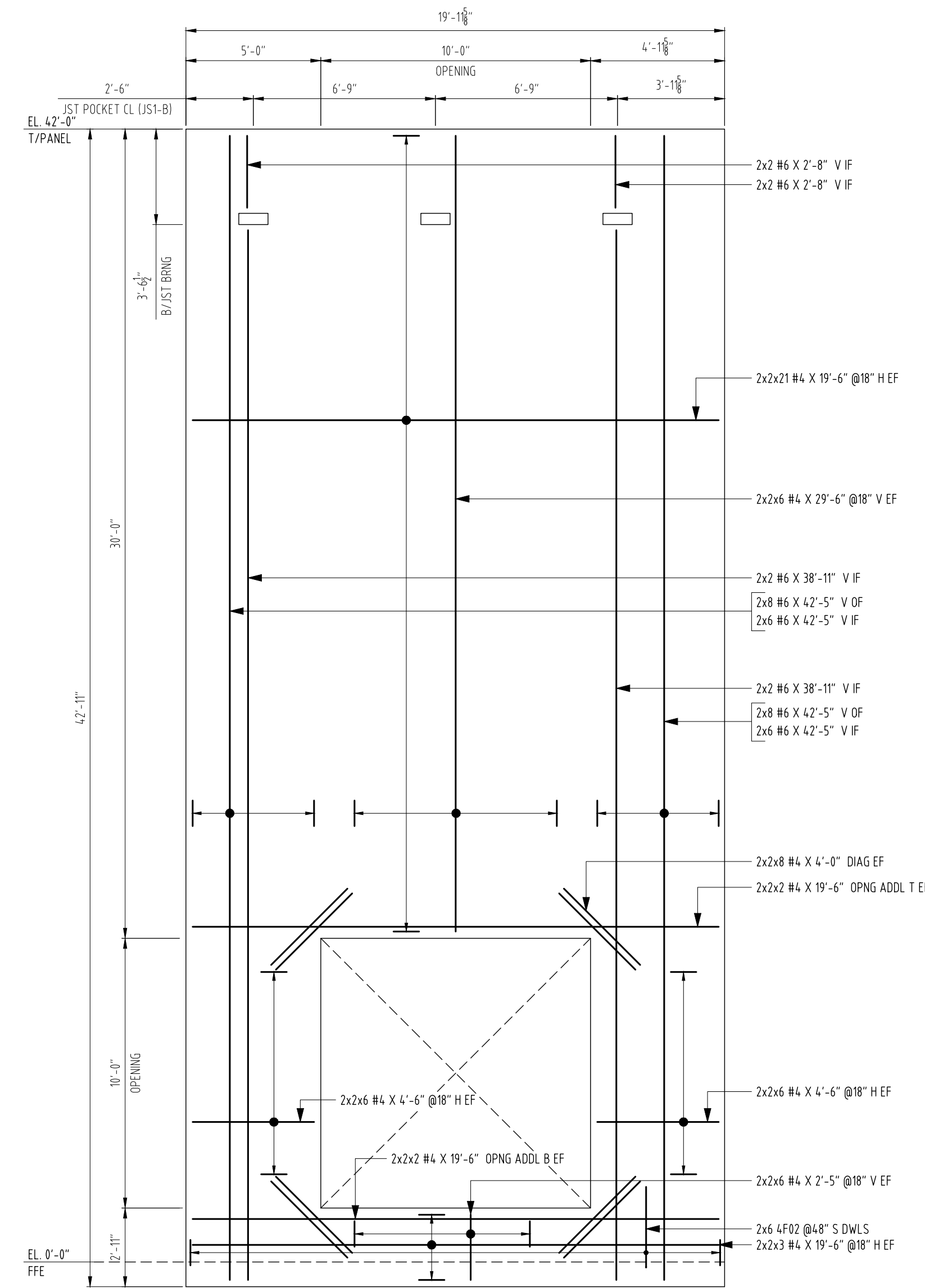
R05C



8 1/2" THK PANEL
(@2 LOC5)

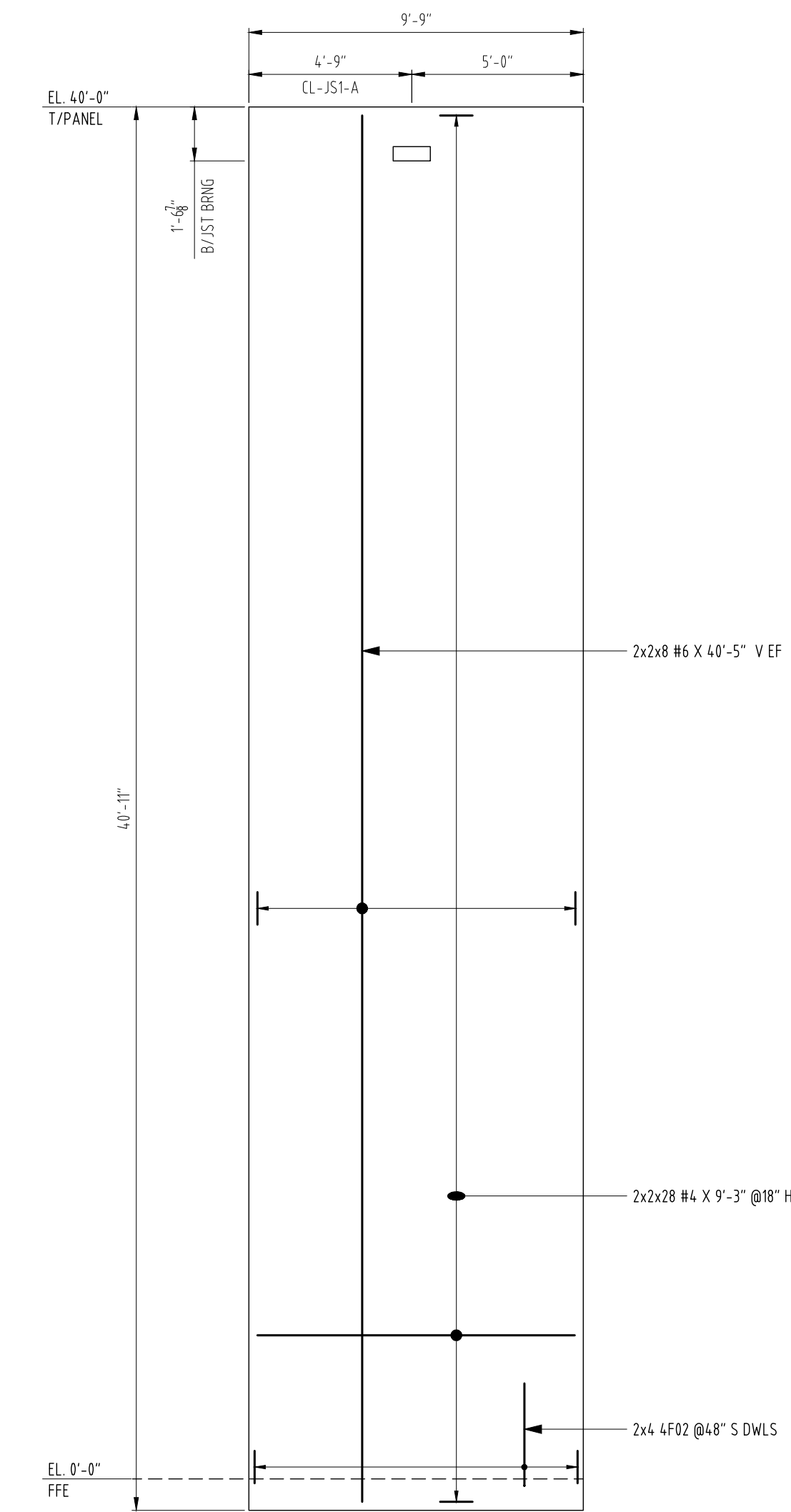
PANEL - N4 & N30
SCALE: 1/4"=1'-0"
SDR: S410 & S412

NOTE: AS PER SECTION NOTE ON SDR, FIELD ADJUST
REQUIRED FOR SLAB DOWELS AT OPENING PANELS (TYP.)



8 1/2" THK PANEL
(@2 LOC5)

PANEL - N5 & N29
SCALE: 1/4"=1'-0"
SDR: S410 & S412



8 1/2" THK PANEL
(@2 LOC5)

PANEL - N6 & N28
SCALE: 1/4"=1'-0"
SDR: S410 & S411

FOR FIELD USE

ASTM 615 - GR 60 - BLK

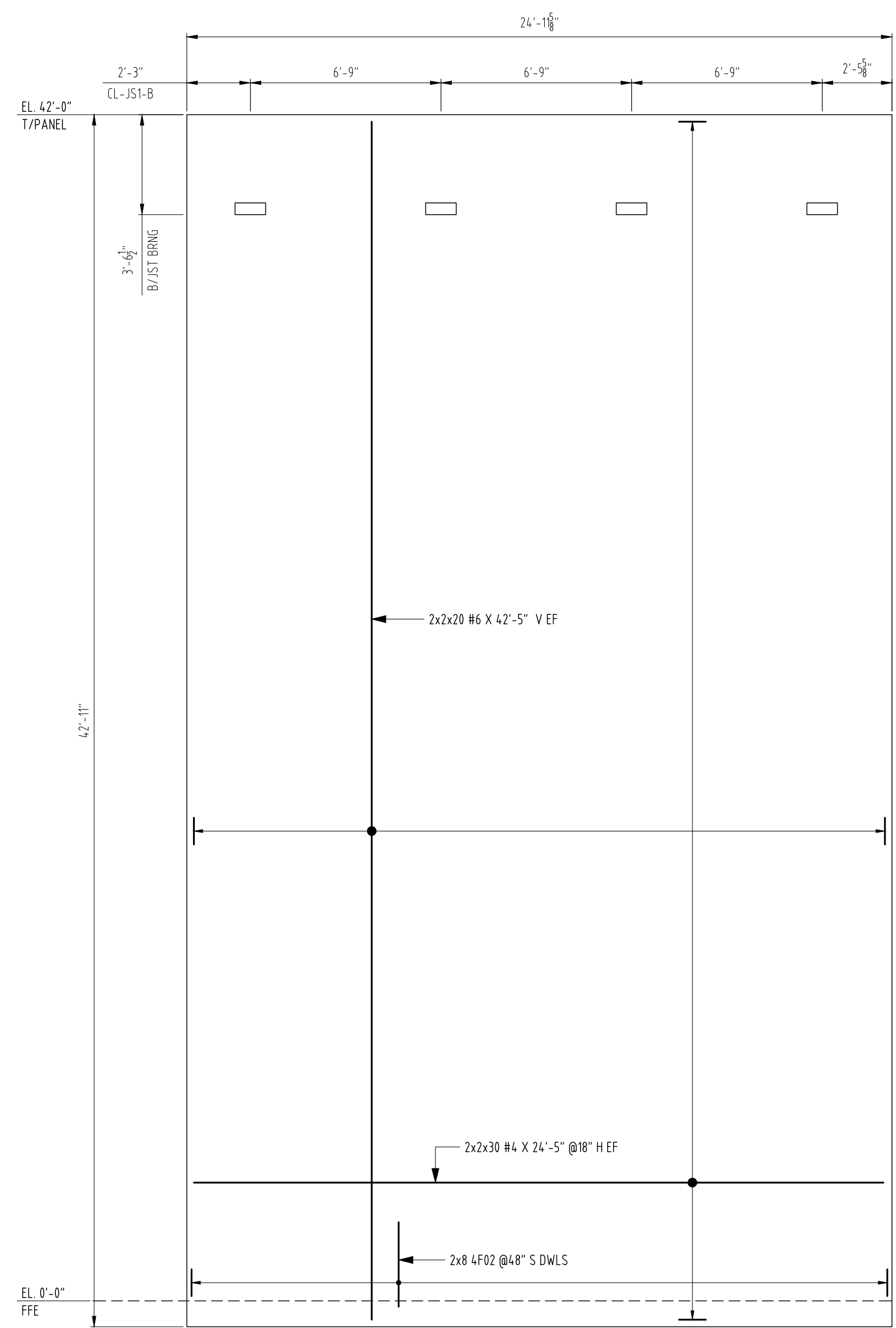
Project:

Client: -

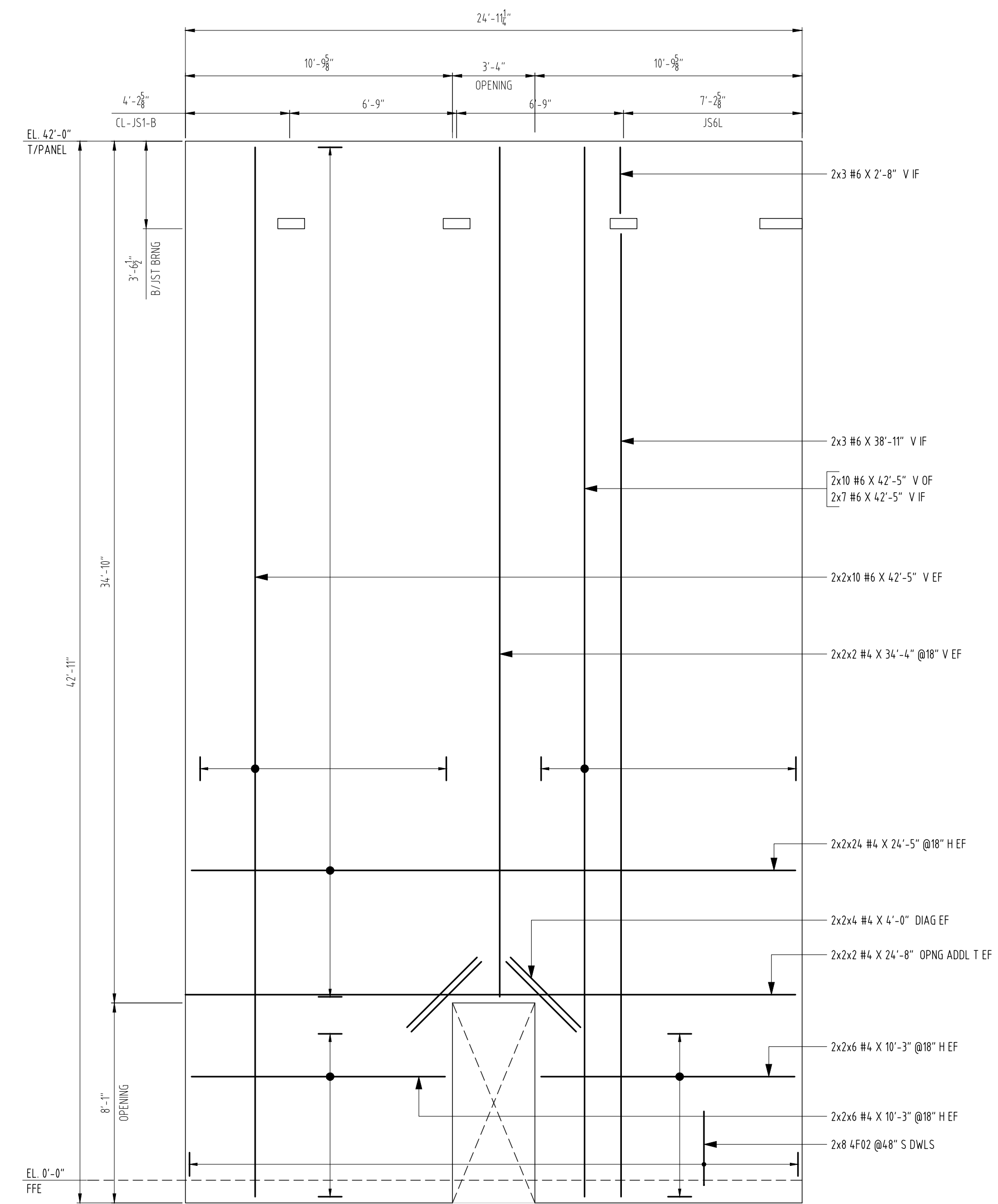
Level: FOUNDATION TO ROOF

Description: TILT-UP WALL PANEL

Location: -

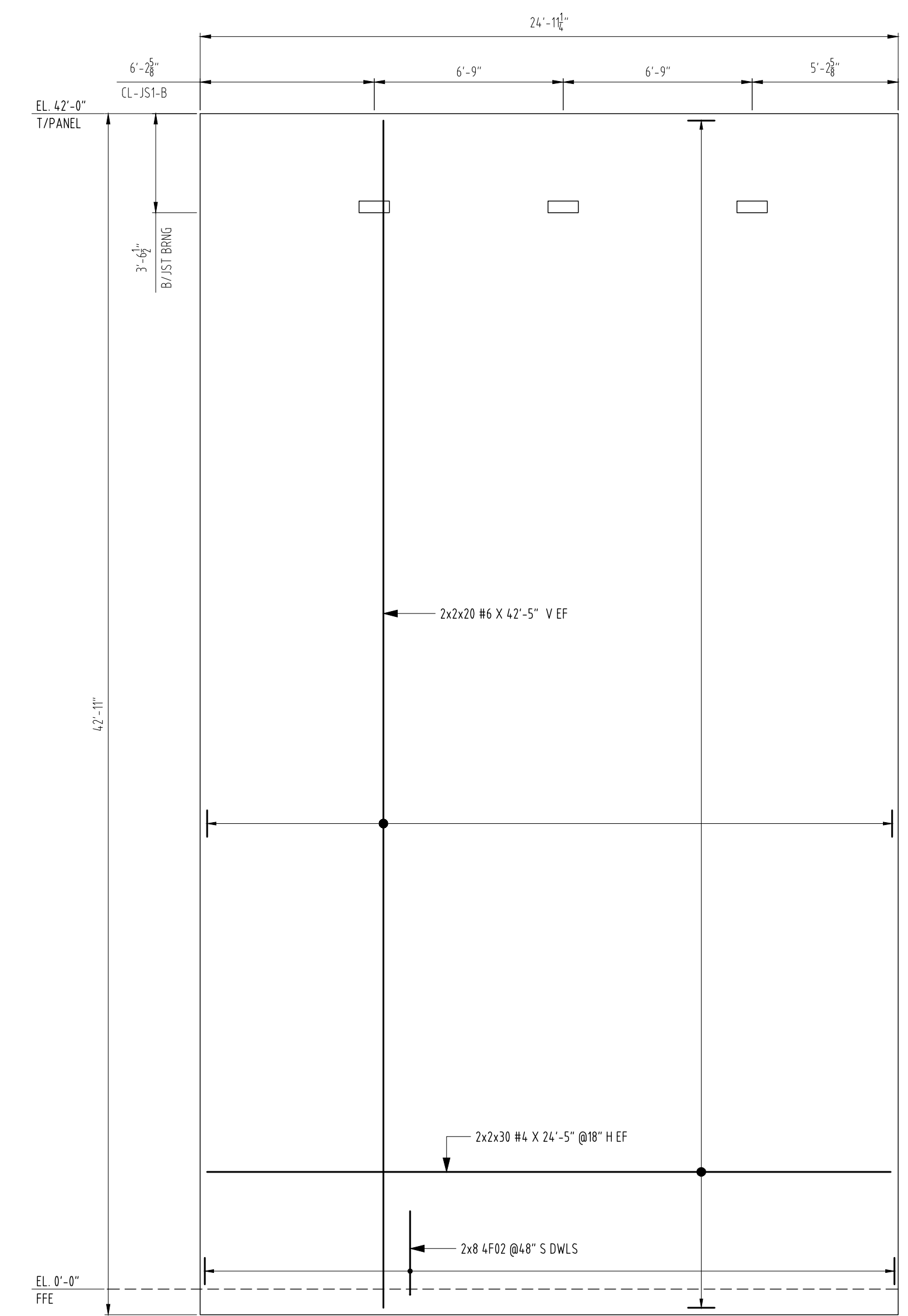


3/8" THK. PANEL
 (@ 2 LOC'S)
 PANEL - N7 & N27
 SCALE: 1/4"=1'-0"
 SDR: S410 & S411



3/8" THK. PANEL
 (@ 2 LOC'S)
 PANEL - N8 & N26
 SCALE: 1/4"=1'-0"
 SDR: S410 & S411

NOTE: AS PER SECTION NOTE ON S500, FIELD ADJUST REQUIRED FOR SLAB DOWELS AT OPENING PANELS (TYP.)



3/8" THK. PANEL
 (@ 2 LOC'S)
 PANEL - N9 & N25
 SCALE: 1/4"=1'-0"
 SDR: S410 & S411

FOR FIELD USE
 ASTM 615 - GR 60 - BLK

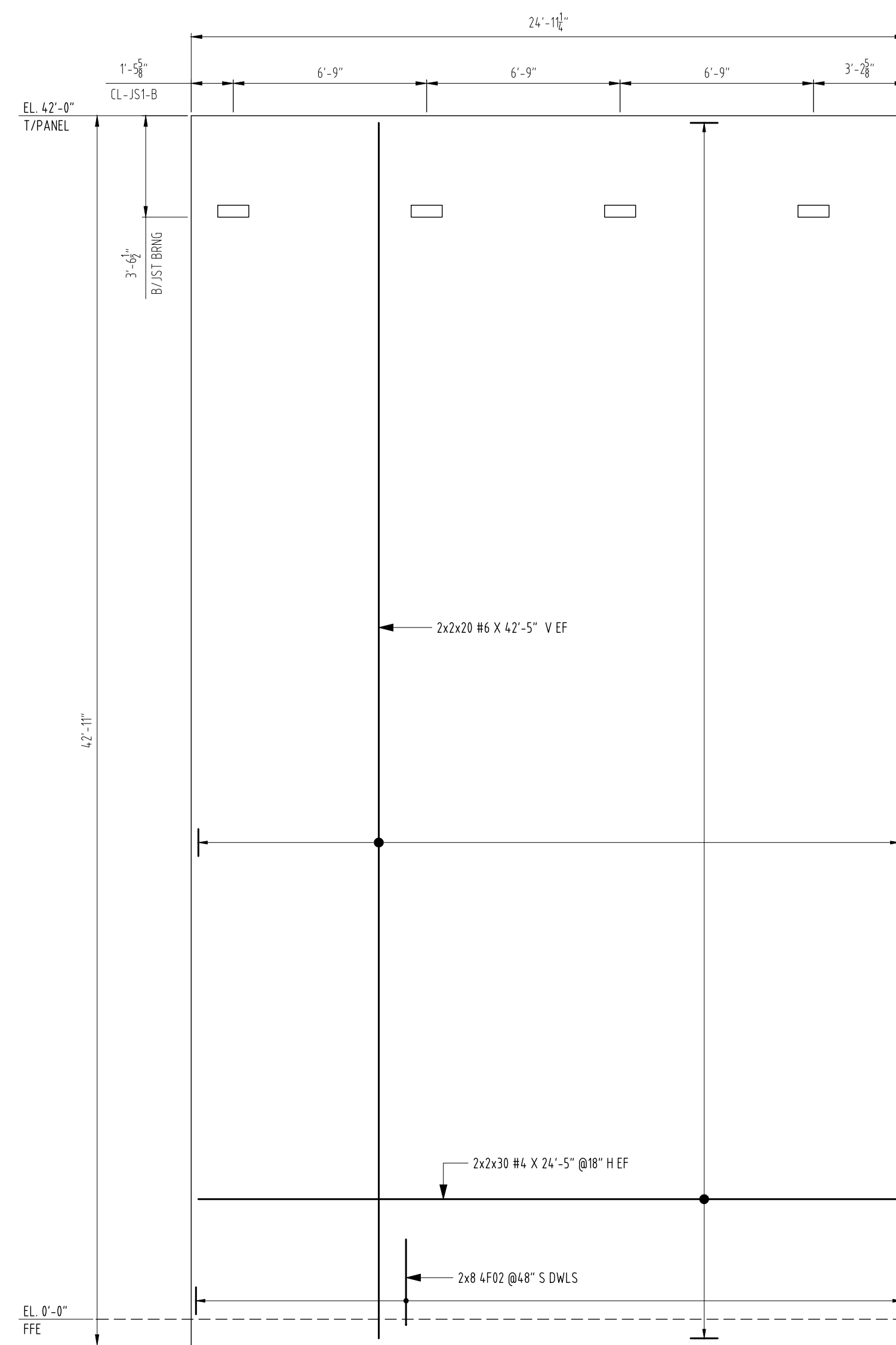
R05D

Drawn by: WES

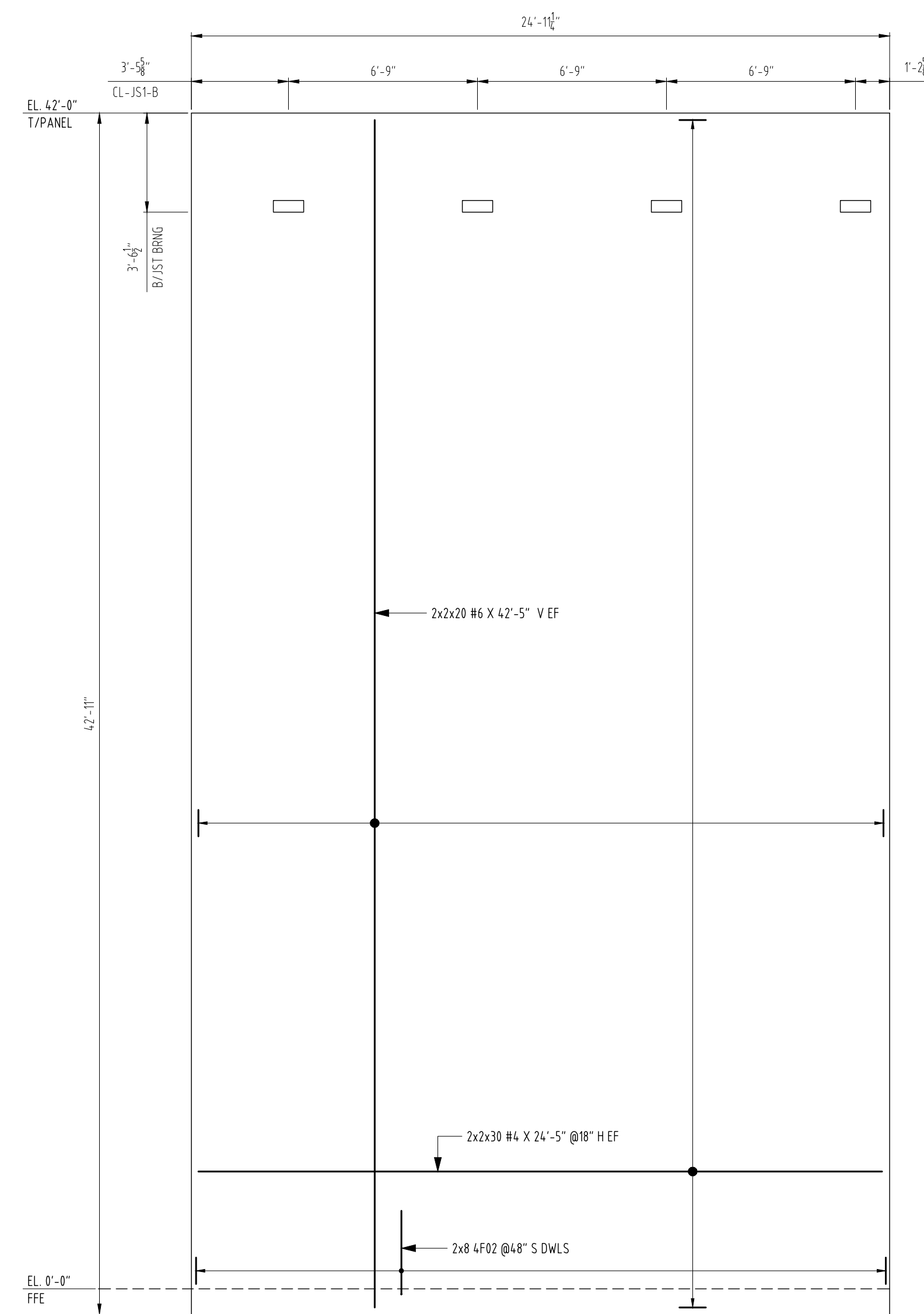
Check by: RK

Revision: 02

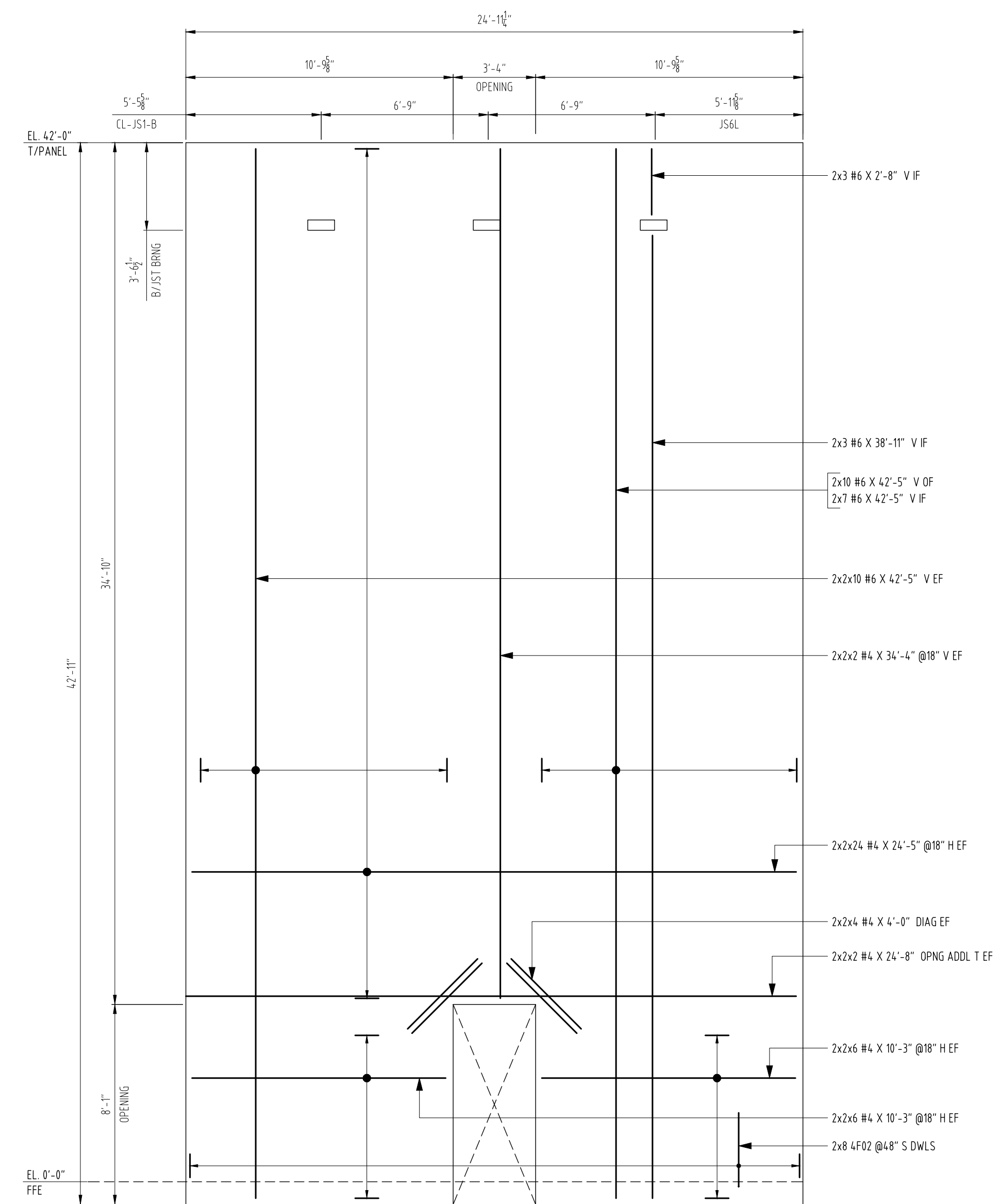
Date: 12/11/25



3/8" THK PANEL
 (@ 2 LOCS)
 PANEL - N10 & N24
 SCALE: 1/4"=1'-0"
 SDR: S410 & S411



3/8" THK PANEL
 (@ 2 LOCS)
 PANEL - N11 & N23
 SCALE: 1/4"=1'-0"
 SDR: S410 & S411



3/8" THK PANEL
 (@ 2 LOCS)
 PANEL - N12 & N22
 SCALE: 1/4"=1'-0"
 SDR: S410 & S411

NOTE: AS PER SECTION NOTE ON S500, FIELD ADJUST
 REQUIRED FOR SLAB DOWELS AT OPENING PANELS (TYP.)

FOR FIELD USE

ASTM 615 - GR 60 - BLK

Project: _____

Client: _____

Level: FOUNDATION TO ROOF

Description: TILT-UP WALL PANEL

Location: _____

Drawn by: WES

Check by: RK

Revision: 02

Date: 12/11/25

R05E

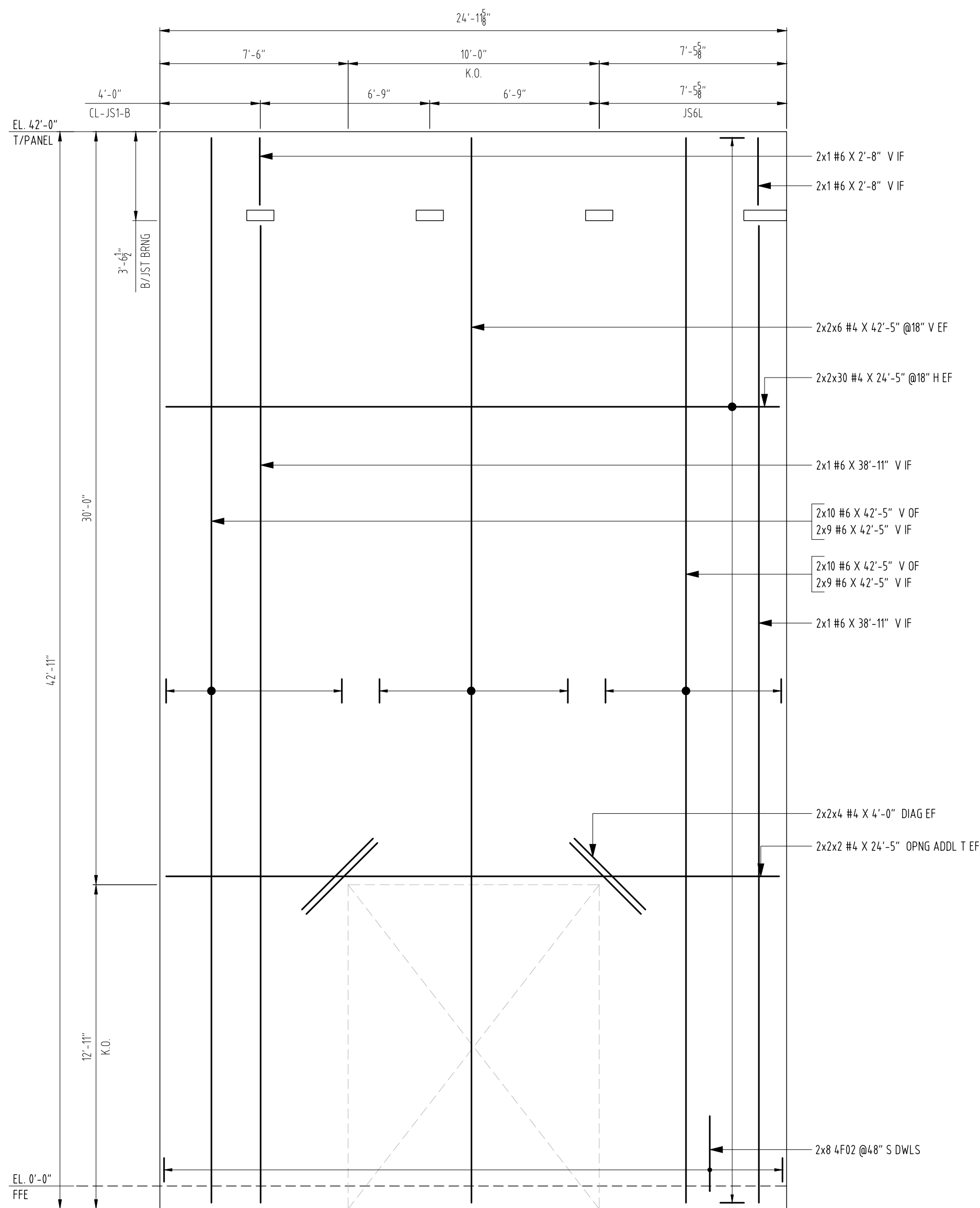
Project:

Client: —

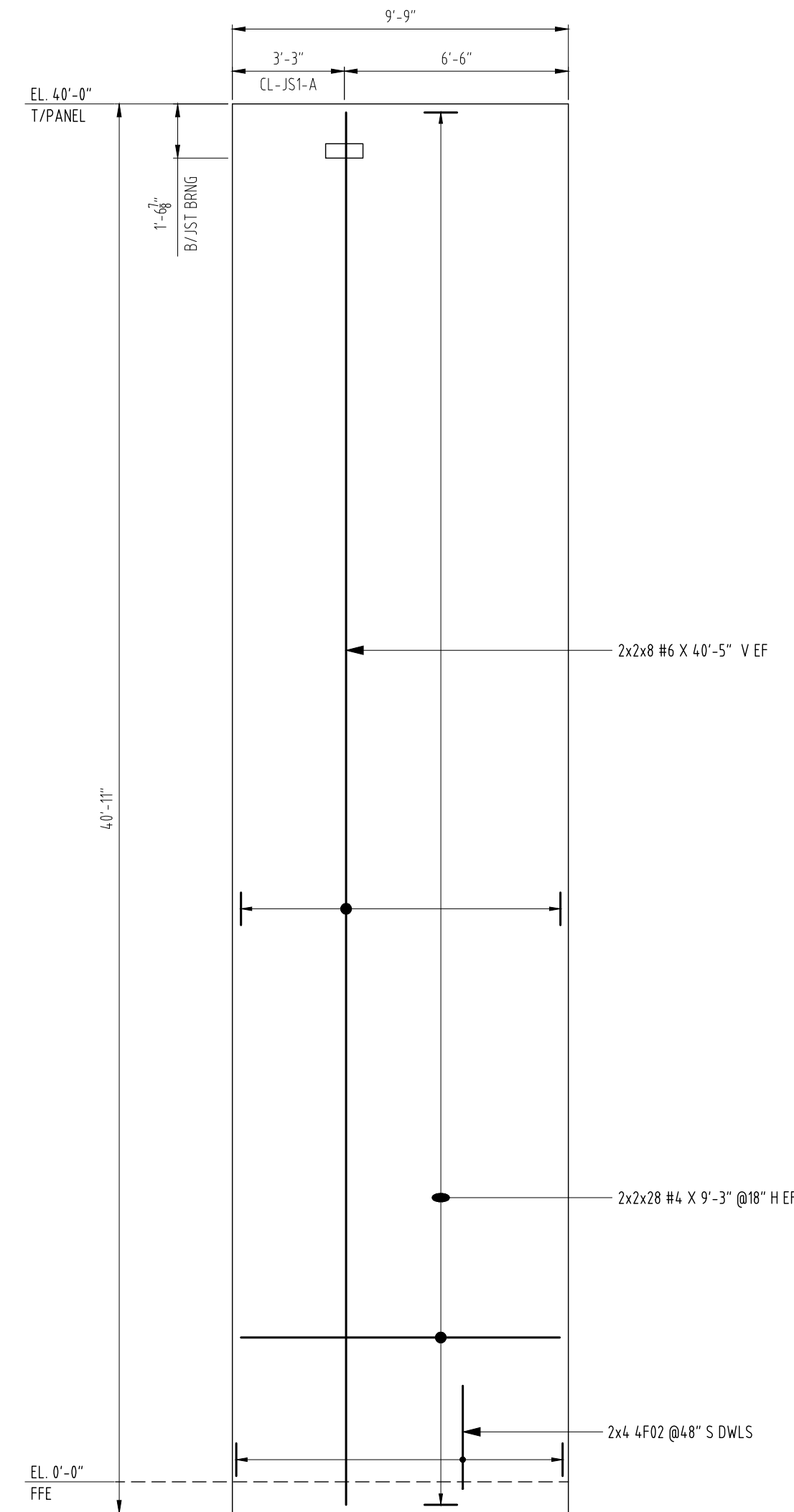
Level: FOUNDATION TO ROOF

Description: TILT-UP WALL PANEL

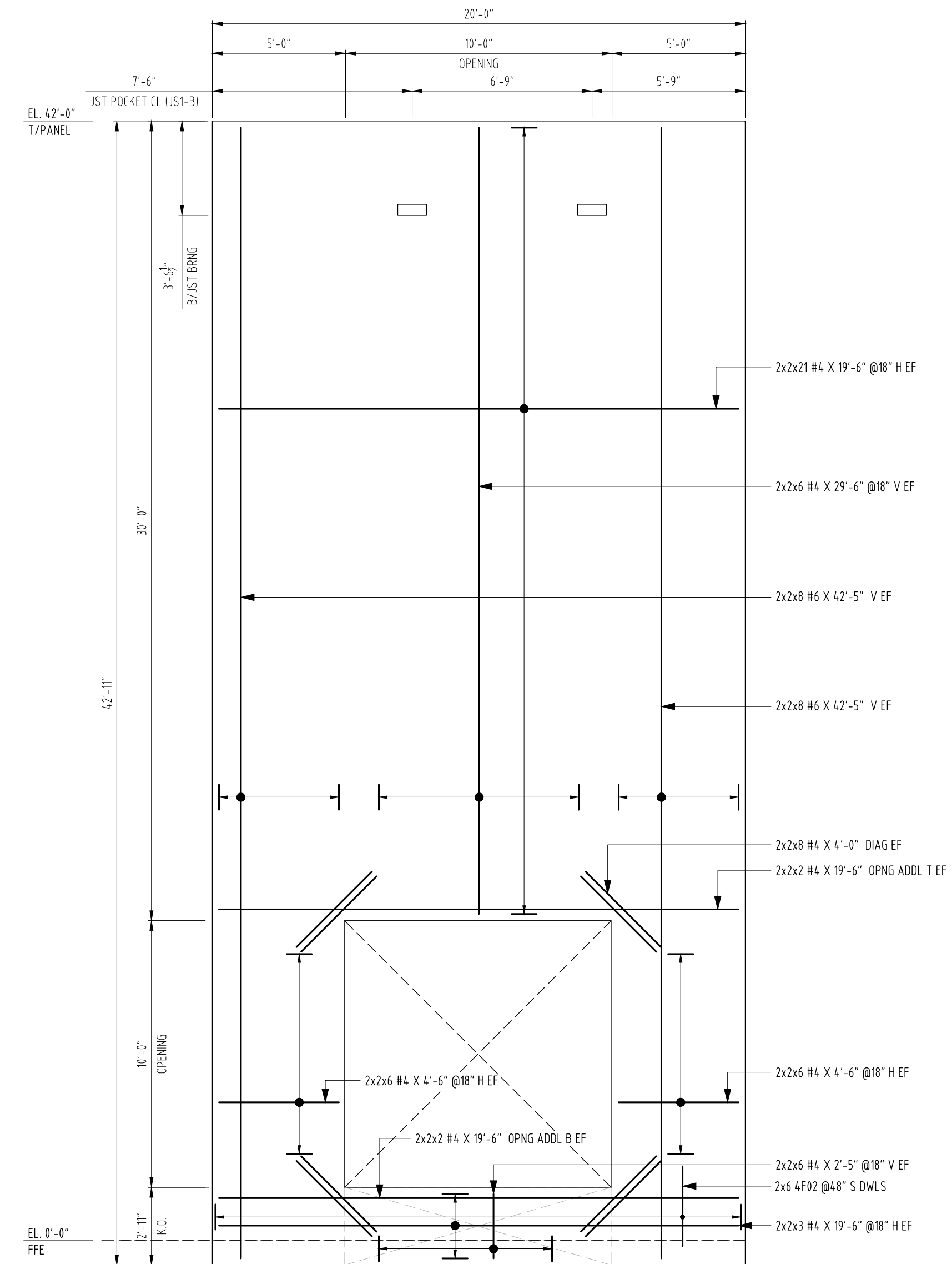
Location: —



3/2" THK PANEL
 (@2 LOCS)
 PANEL - N13 & N21
 SCALE: 1/4"=1'-0"
 SDR: S410 & S411



3/2" THK PANEL
 (@2 LOCS)
 PANEL - N14 & N20
 SCALE: 1/4"=1'-0"
 SDR: S410 & S411



3/2" THK PANEL
 (@2 LOCS)
 PANEL - N15 & N19
 SCALE: 1/4"=1'-0"
 SDR: S410 & S412

NOTE: AS PER SECTION NOTE ON S500, FIELD ADJUST
 REQUIRED FOR SLAB DOWELS AT OPENING PANELS (TYP)

Drawn by: WES

Check by: RK

Revision: 02

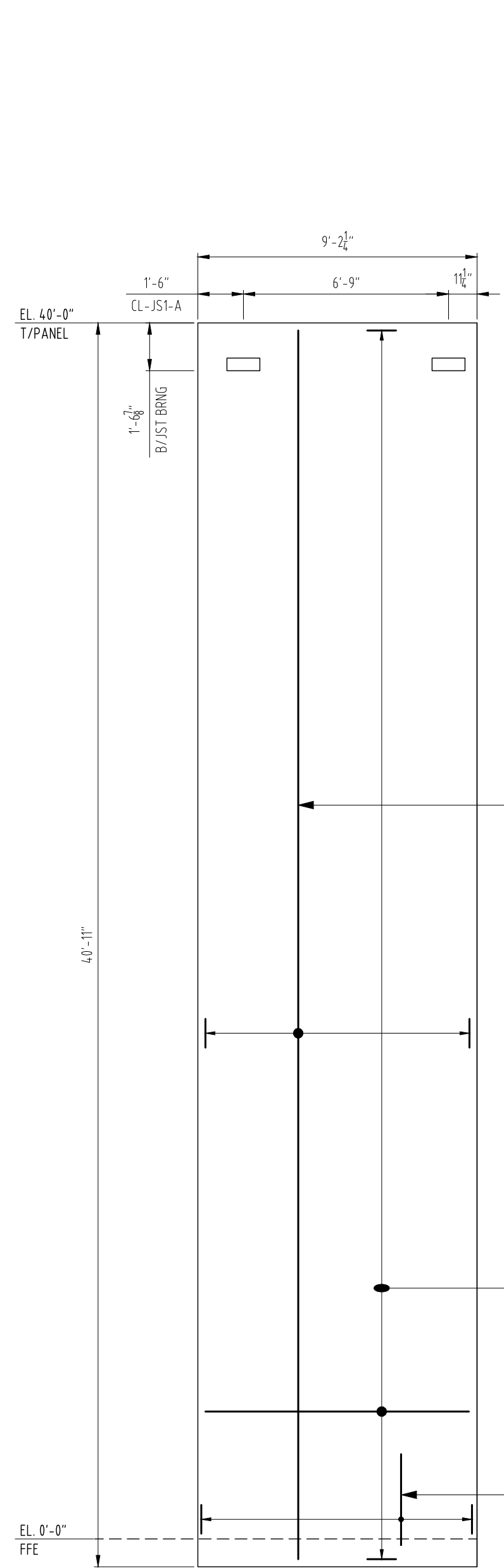
Date: 12/11/25

FOR FIELD USE

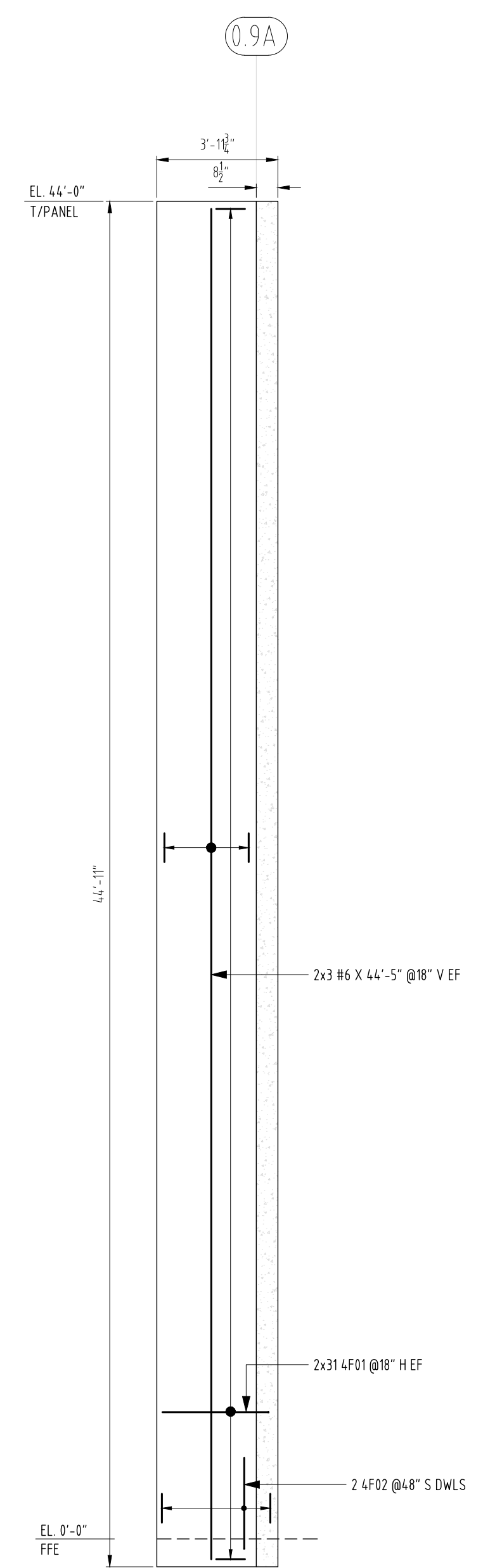
ASTM 615 - GR 60 - BLK

R05F

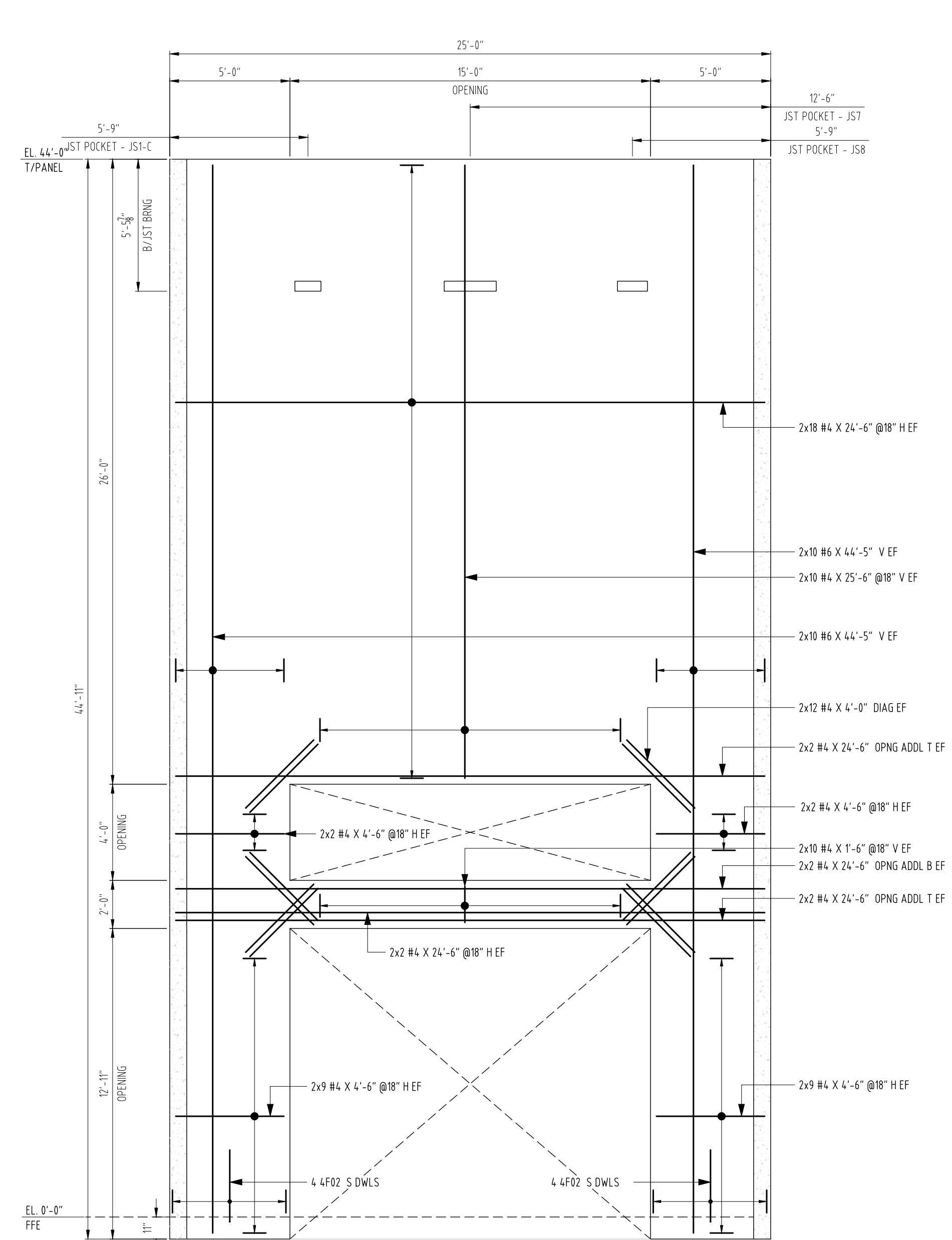
Project: _____
 Client: _____
 Level: FOUNDATION TO ROOF
 Description: TILT-UP WALL PANEL
 Location: _____



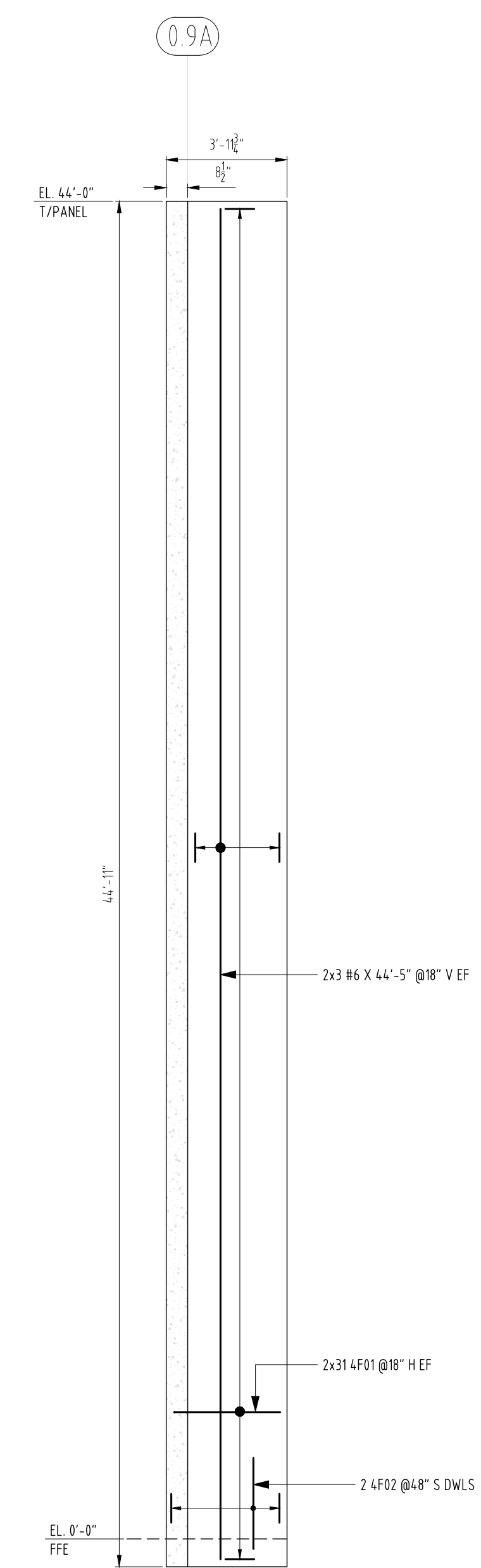
3/8" THK. PANEL
 (@ 2 LOCS)
 PANEL - N16 & N18
 SCALE: 1/4"=1'-0"
 SDR: S410 & S411



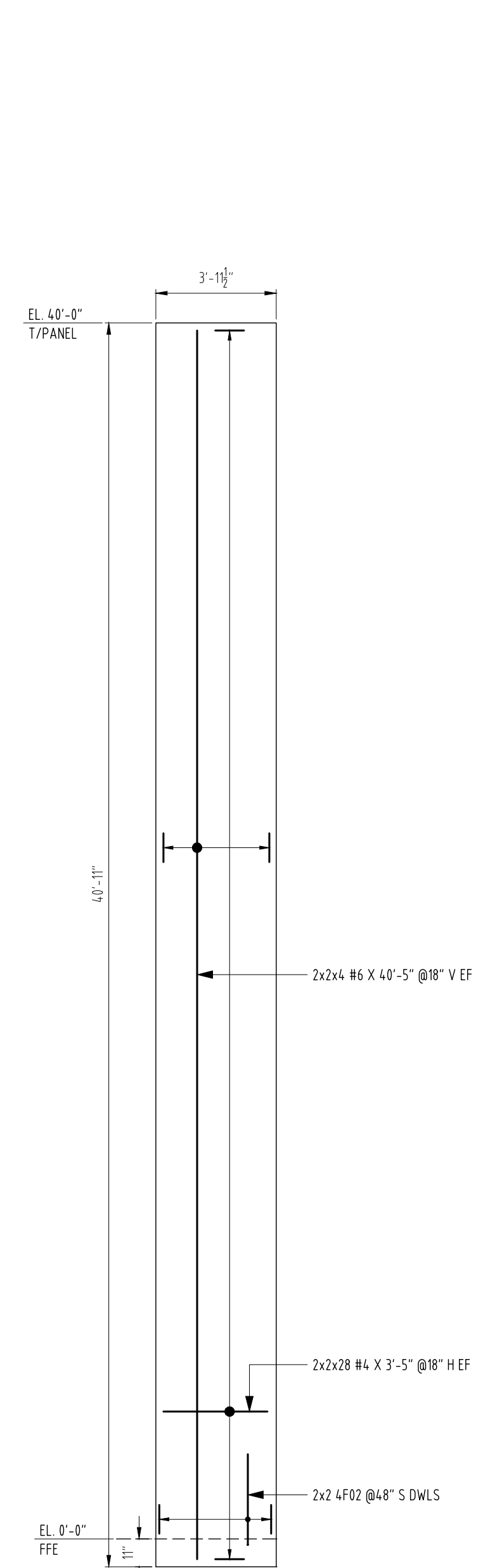
3/8" THK. PANEL
 (@ 1 LOC)
 RETURNED PANEL - N17
 SCALE: 1/4"=1'-0"
 SDR: S410 & S412



3/8" THK. PANEL
 (@ 1 LOC)
 PANEL - N17
 SCALE: 1/4"=1'-0"
 SDR: S410 & S411



3/8" THK. PANEL
 (@ 1 LOC)
 RETURNED PANEL - N17
 SCALE: 1/4"=1'-0"
 SDR: S410 & S412

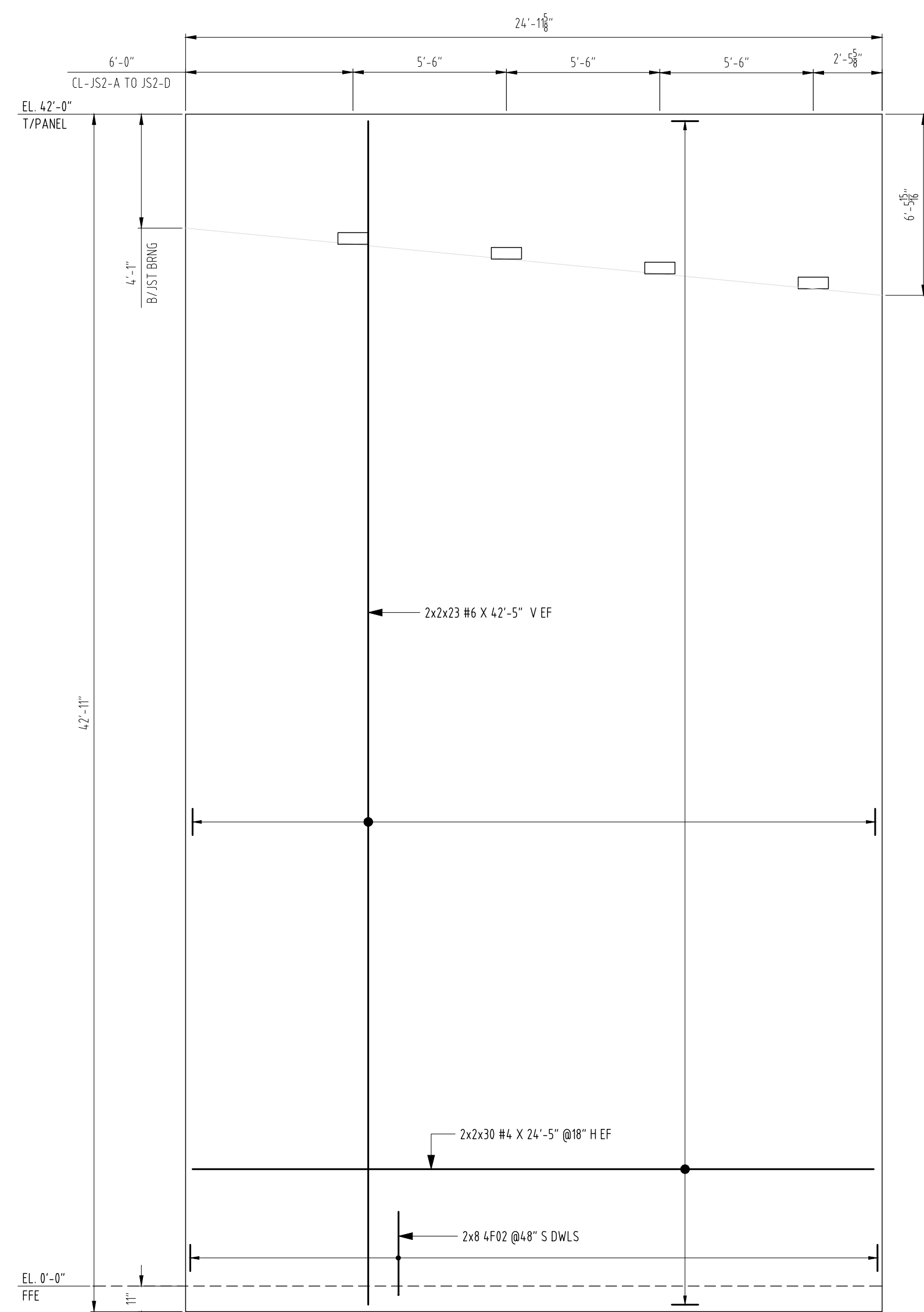


3/8" THK. PANEL
 (@ 2 LOCS)
 PANEL - S1 & S26
 SCALE: 1/4"=1'-0"
 SDR: S413 & S414

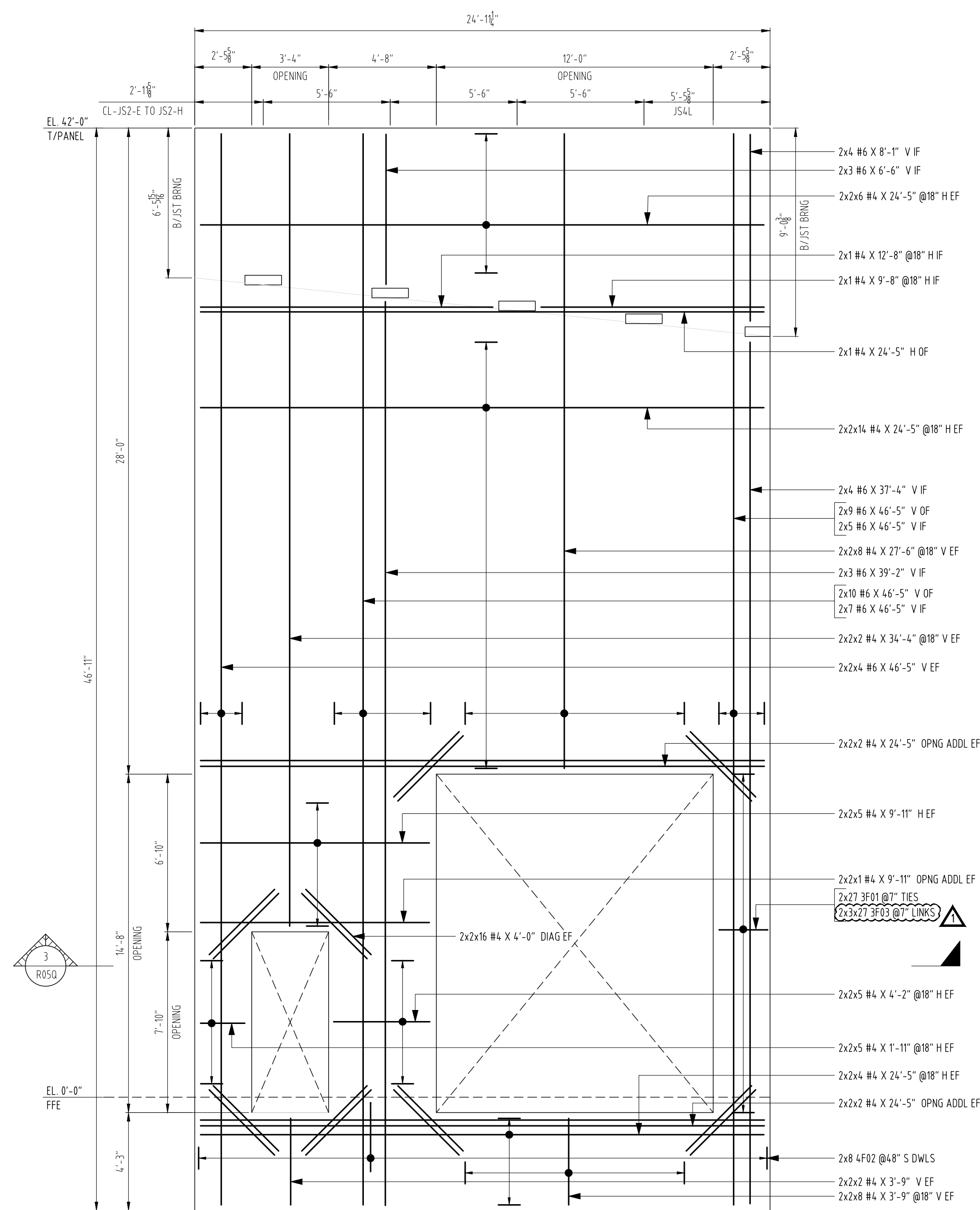
FOR FIELD USE
 ASTM 615 - GR 60 - BLK

R05G

Drawn by: WES
 Check by: RK
 Revision: 02
 Date: 12/11/25

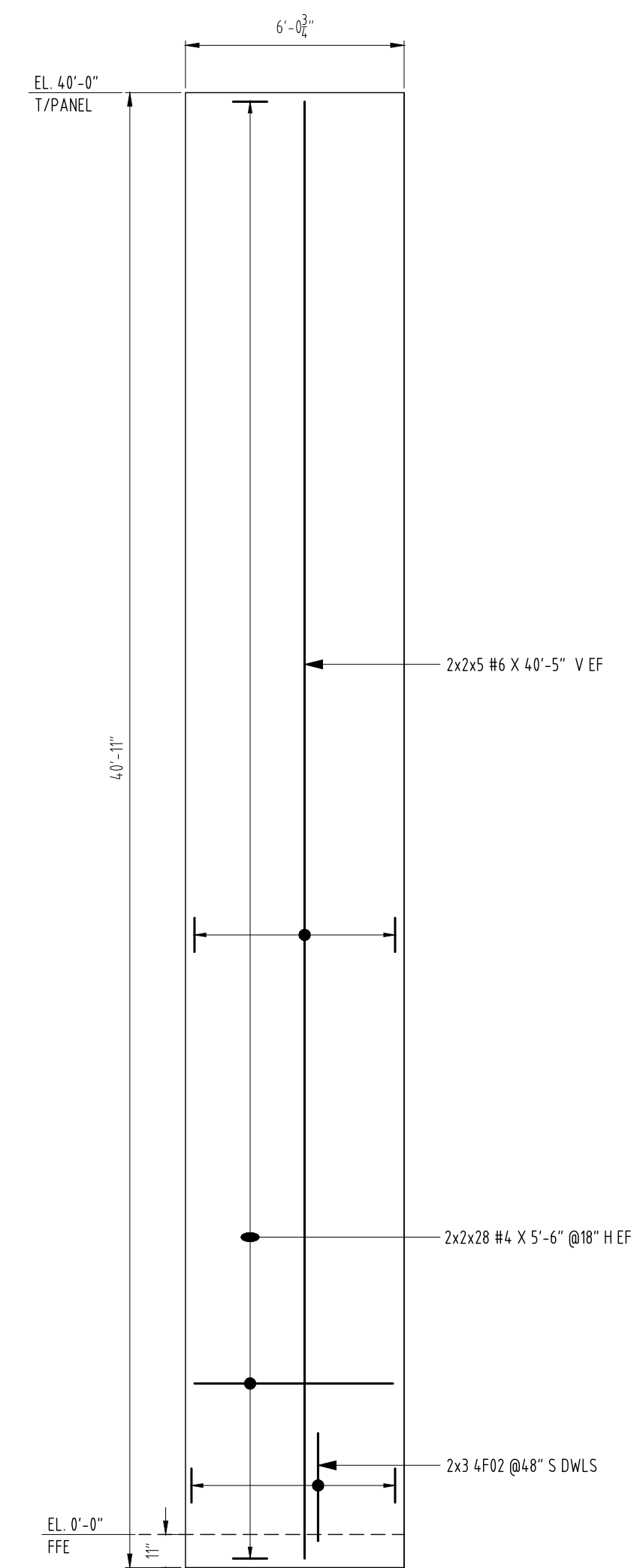


8" THK. PANEL
 (@ 2 LOCS)
 PANEL - S2 & S25
 SCALE: 1/4"=1'-0"
 SDR: S413 & S414



8" THK. PANEL
 (@ 2 LOCS)
 PANEL - S3 & S24
 SCALE: 1/4"=1'-0"
 SDR: S413 & S414

NOTE: AS PER SECTION NOTE ON S500, FIELD ADJUST
 REQUIRED FOR SLAB DOWELS AT OPENING PANELS (TYP.)



8" THK. PANEL
 (@ 2 LOCS)
 PANEL - E2 & W11
 SCALE: 1/4"=1'-0"
 SDR: S412 & S415

Project: _____
 Client: _____
 Level: FOUNDATION TO ROOF
 Description: TILT-UP WALL PANEL
 Location: _____

Drawn by: WES
 Check by: RK
 Revision: 02
 Date: 12/11/25

FOR FIELD USE

ASTM 615 - GR 60 - BLK

R05H

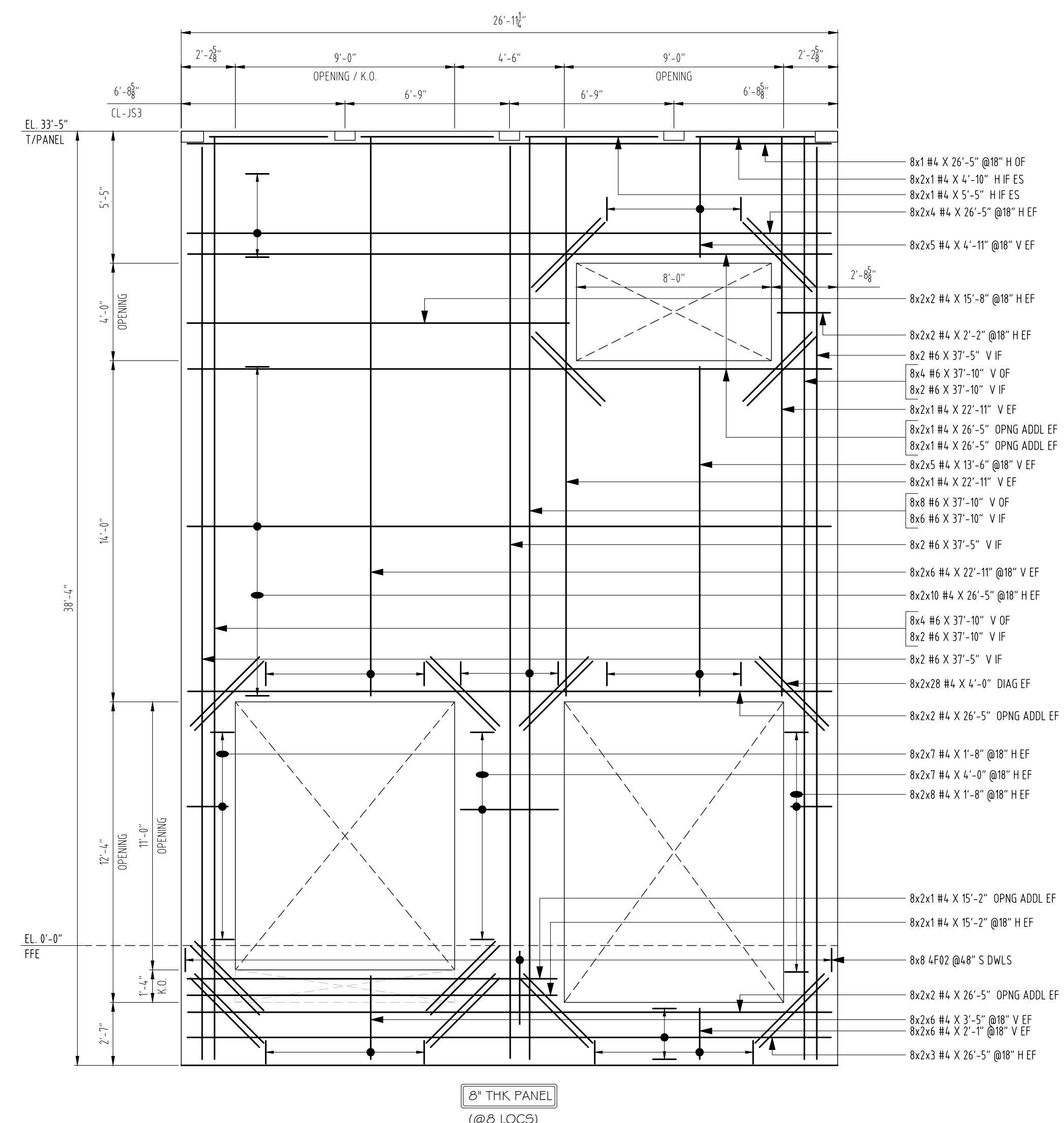
Project:

Client: —

Level: FOUNDATION TO ROOF

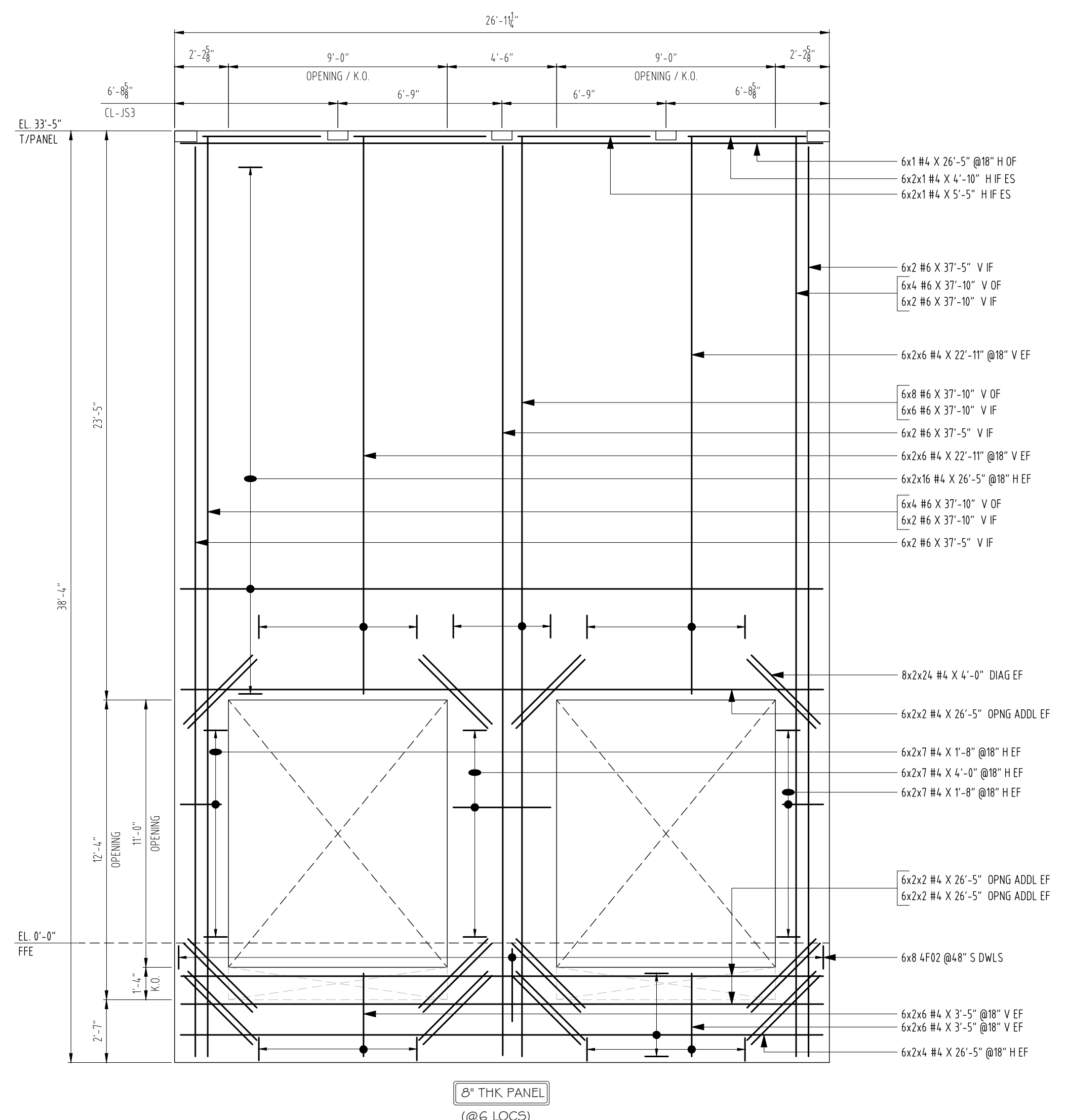
Description: TILT-UP WALL PANEL

Location: —



PANEL - S4, S6, S8, S10, S17, S19, S21 & S23
 SCALE: 1/4"=1'-0"
 SDR: S413 & S414

NOTE: AS PER SECTION NOTE ON S500, FIELD ADJUST REQUIRED FOR SLAB DOWELS AT OPENING PANELS (TYP.)



PANEL - S5, S9, S13, S14, S18 & S22
 SCALE: 1/4"=1'-0"
 SDR: S413 & S414

FOR FIELD USE

ASTM 615 - GR 60 - BLK

R05J

Drawn by: WES

Check by: RK

Revision: 02

Date: 12/11/25

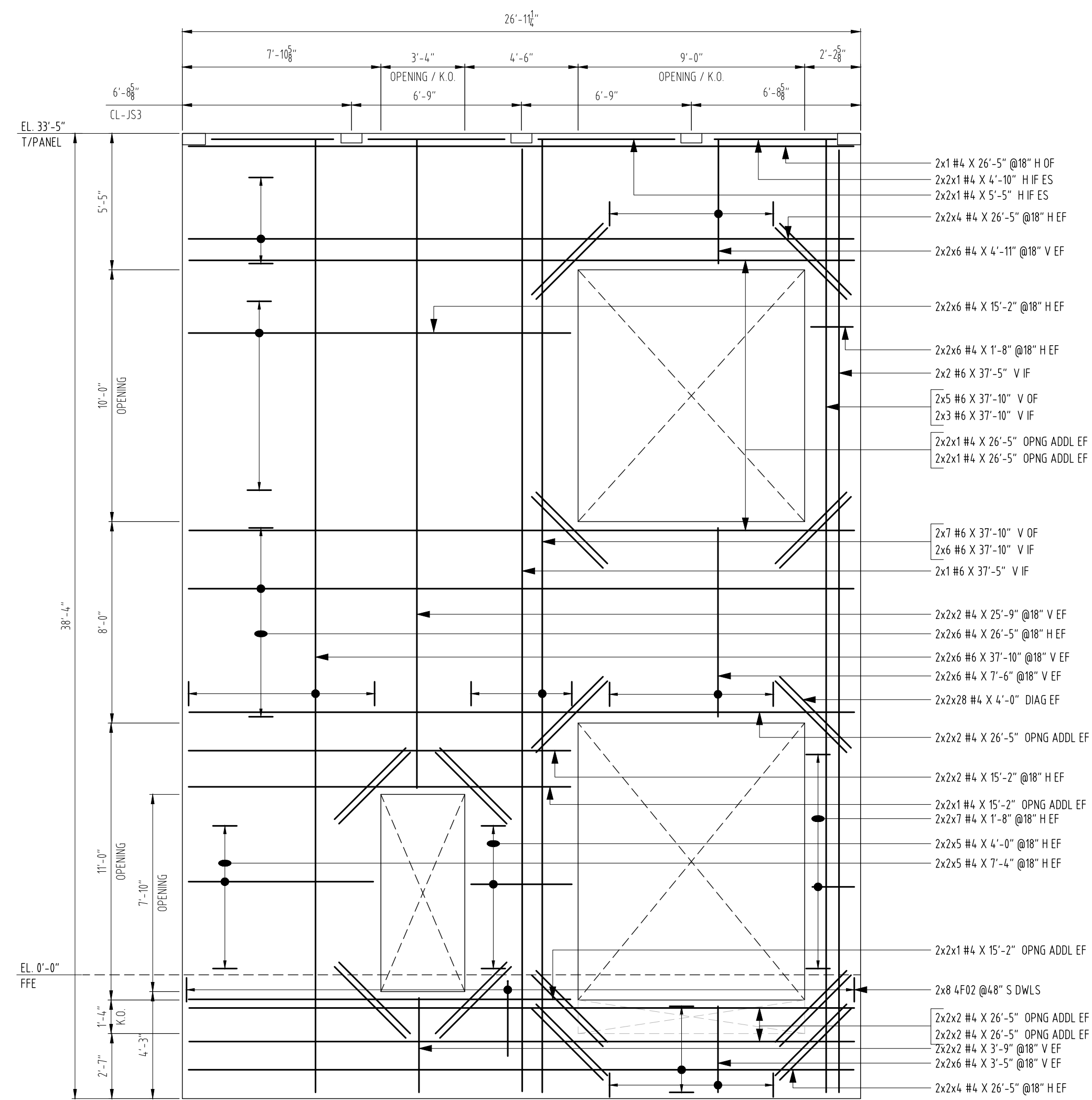
Project:

Client:

Level: FOUNDATION TO ROOF

Description: TILT-UP WALL PANEL

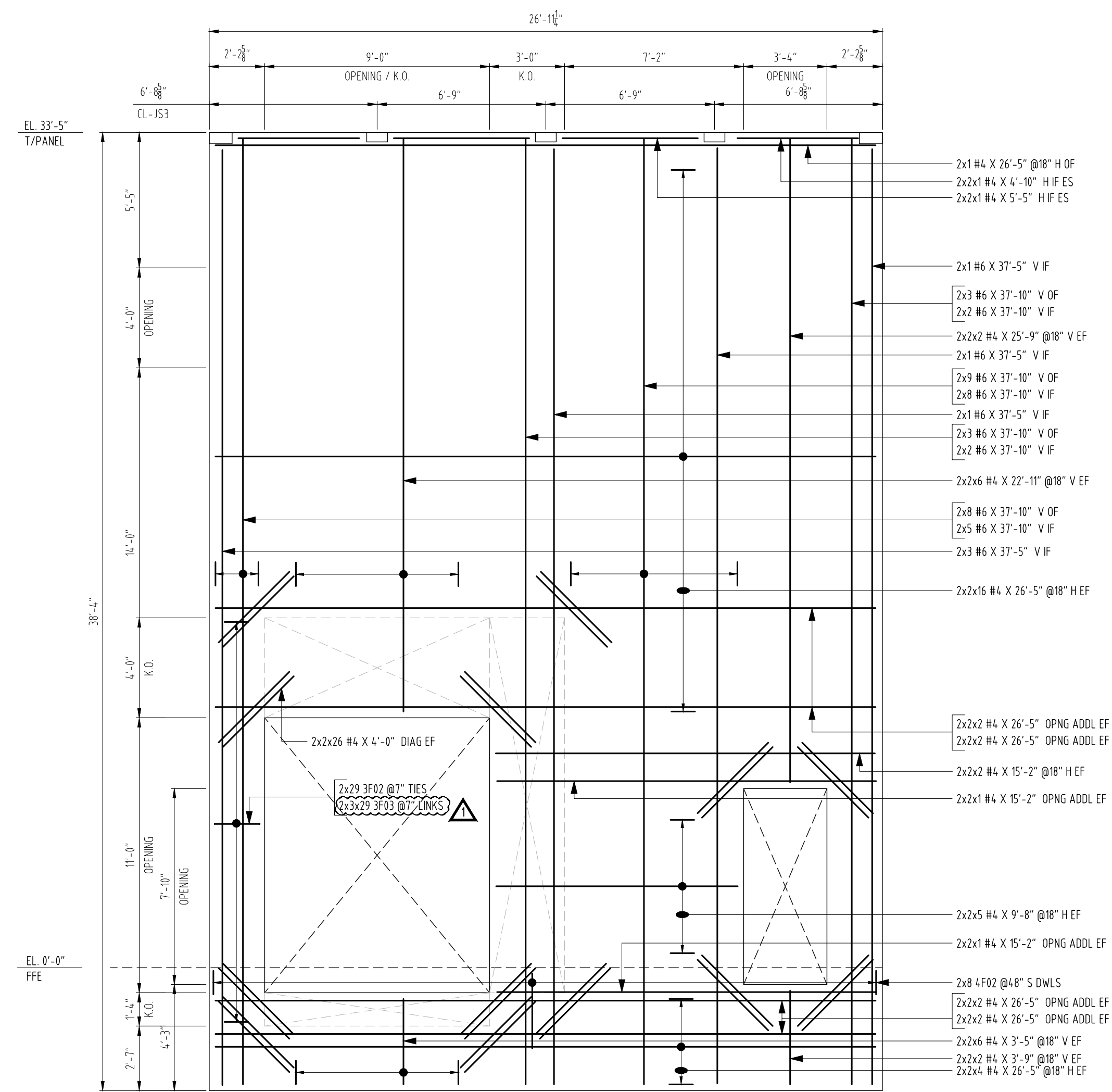
Location:



8" THK. PANEL
(@ 2 LOCS)

PANEL - S7 & S20
SCALE: 1/4"=1'-0"
SOR: S413 & S414

NOTE: AS PER SECTION NOTE ON S500, FIELD ADJUST
REQUIRED FOR SLAB DOWELS AT OPENING PANELS (TYP)



8" THK. PANEL
(@ 2 LOCS)

PANEL - S11 & S16
SCALE: 1/4"=1'-0"
SOR: S413 & S414

FOR FIELD USE

ASTM 615 - GR 60 - BLK

R05K

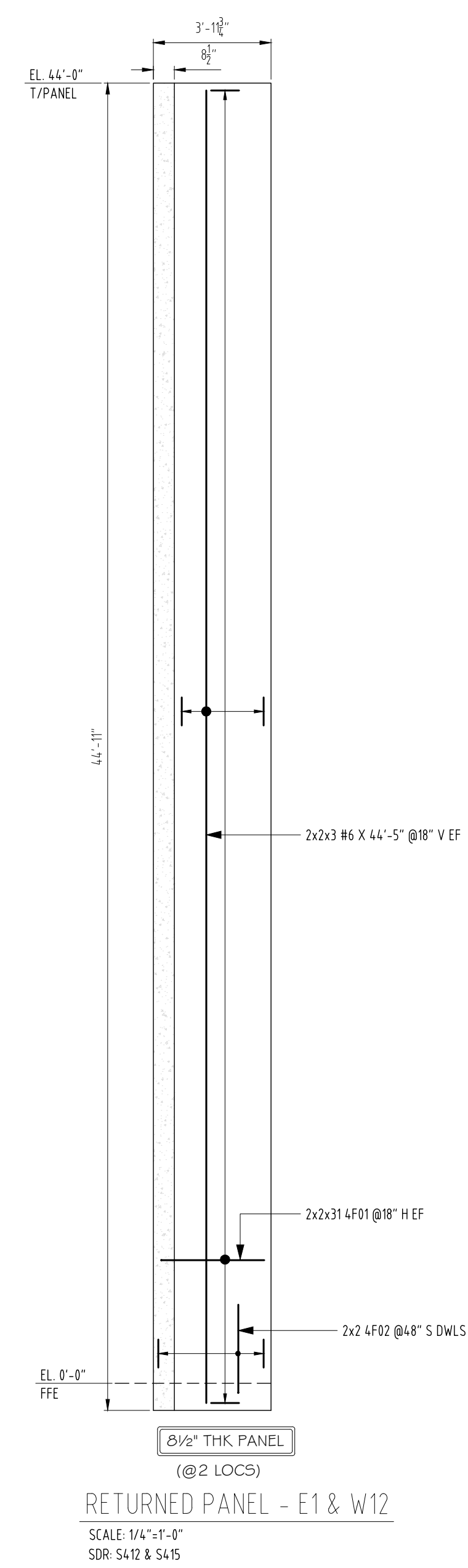
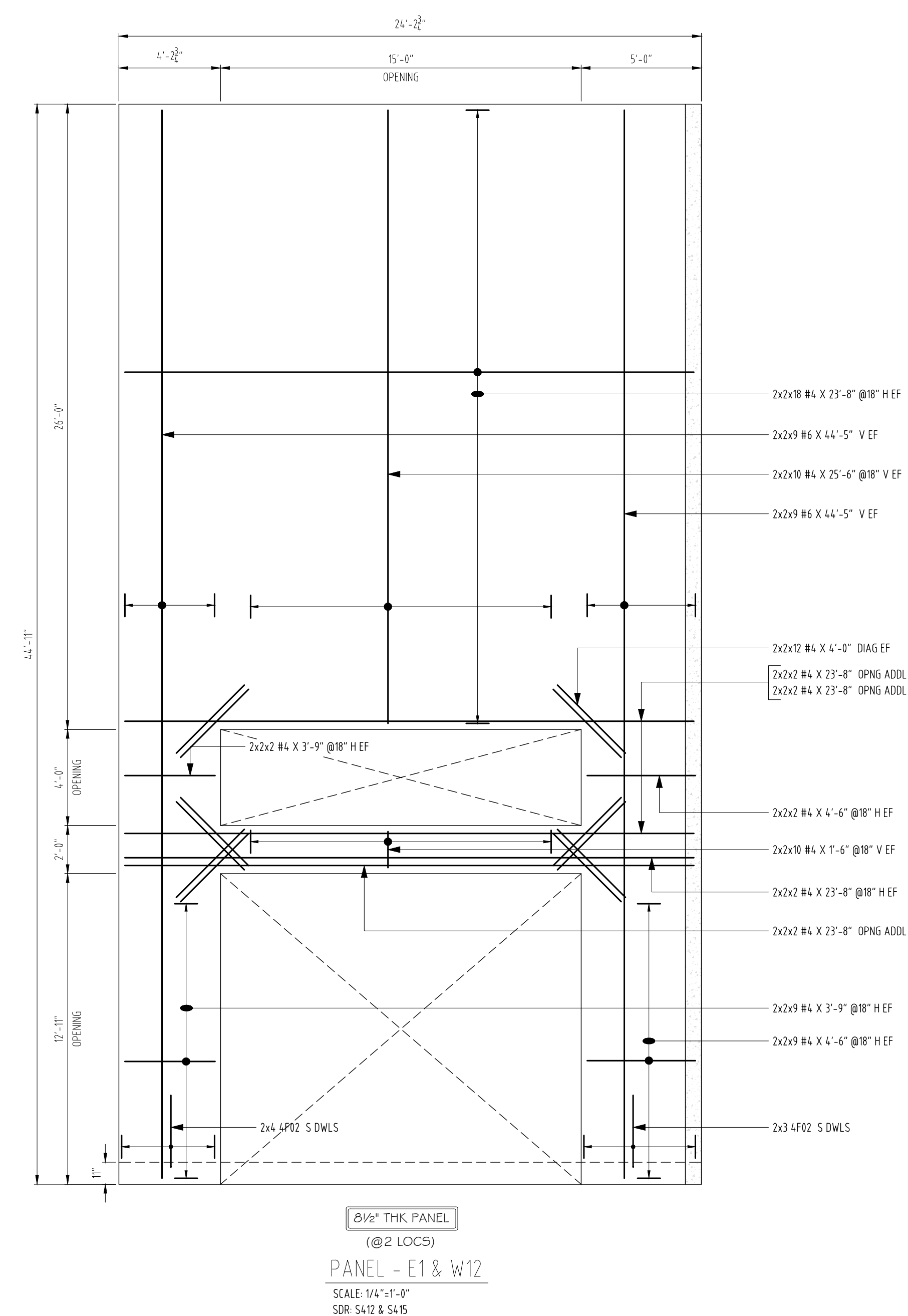
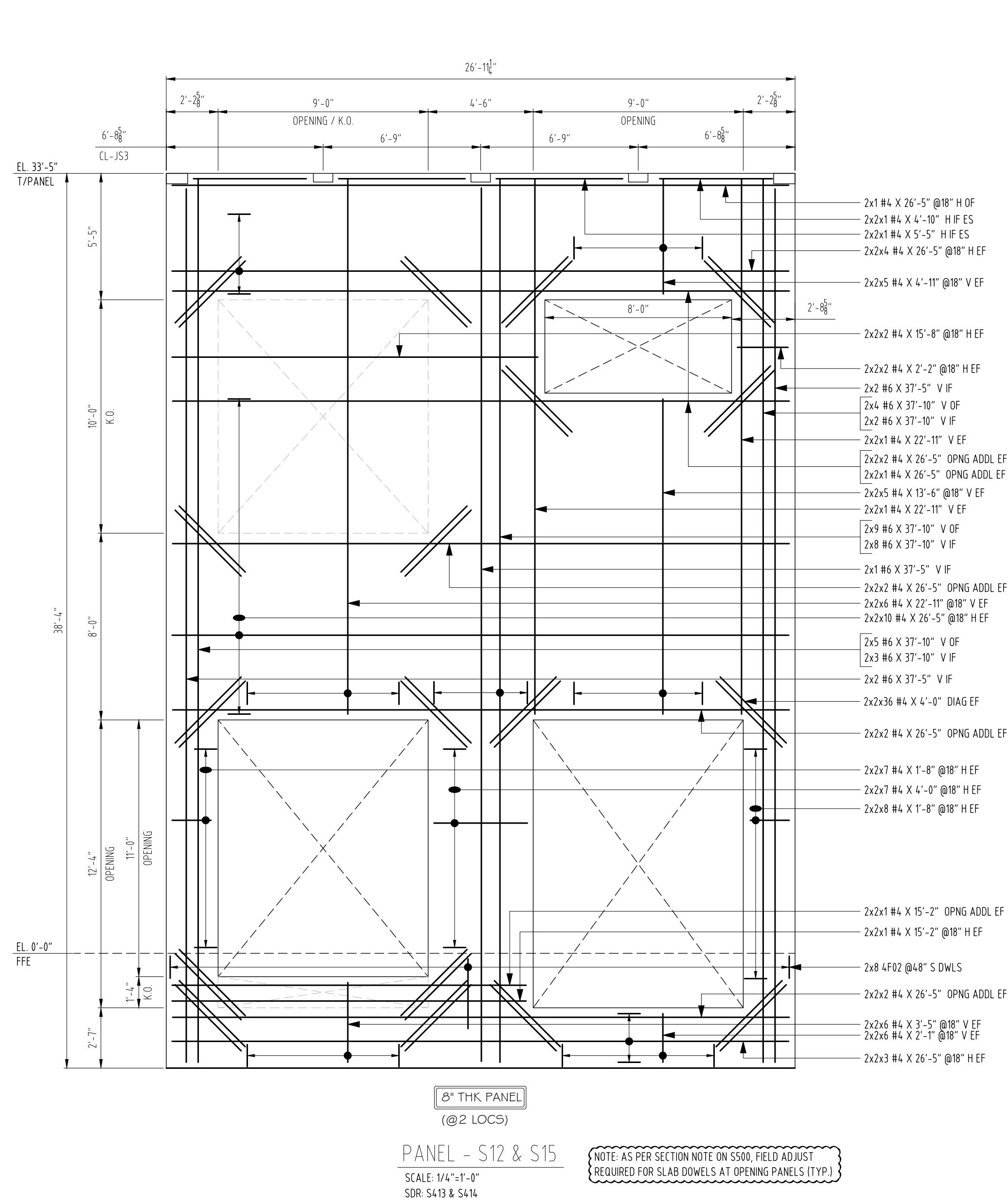
Drawn by: WES

Check by: RK

Revision: 02

Date: 12/11/25

Project: _____
 Client: _____
 Level: FOUNDATION TO ROOF
 Description: TILT-UP WALL PANEL
 Location: _____



FOR FIELD USE
 ASTM 615 - GR 60 - BLK

Drawn by: WES
 Check by: RK
 Revision: 02
 Date: 12/11/25

R05L

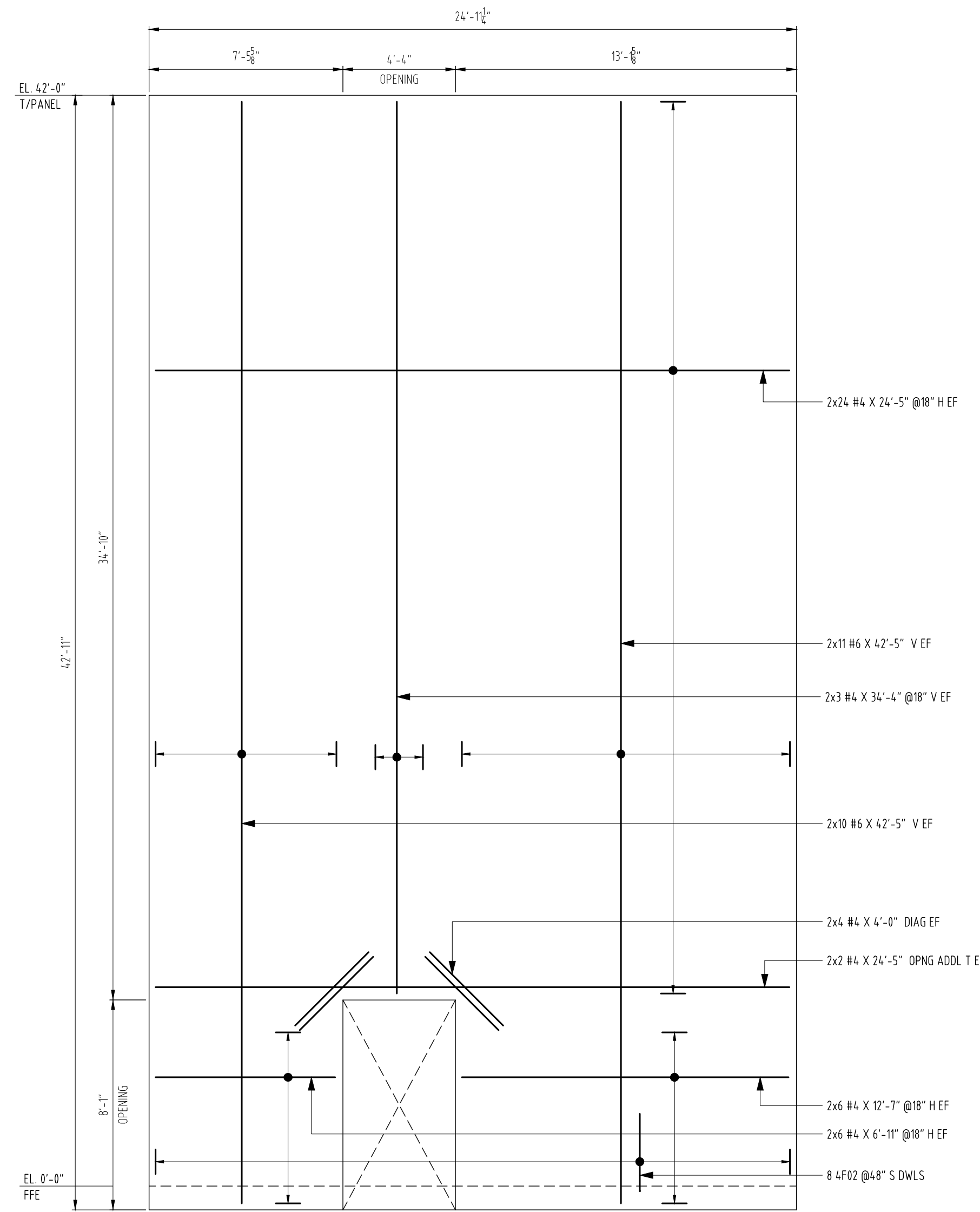
Project:

Client: -

Level: FOUNDATION TO ROOF

Description: TILT-UP WALL PANEL

Location: -



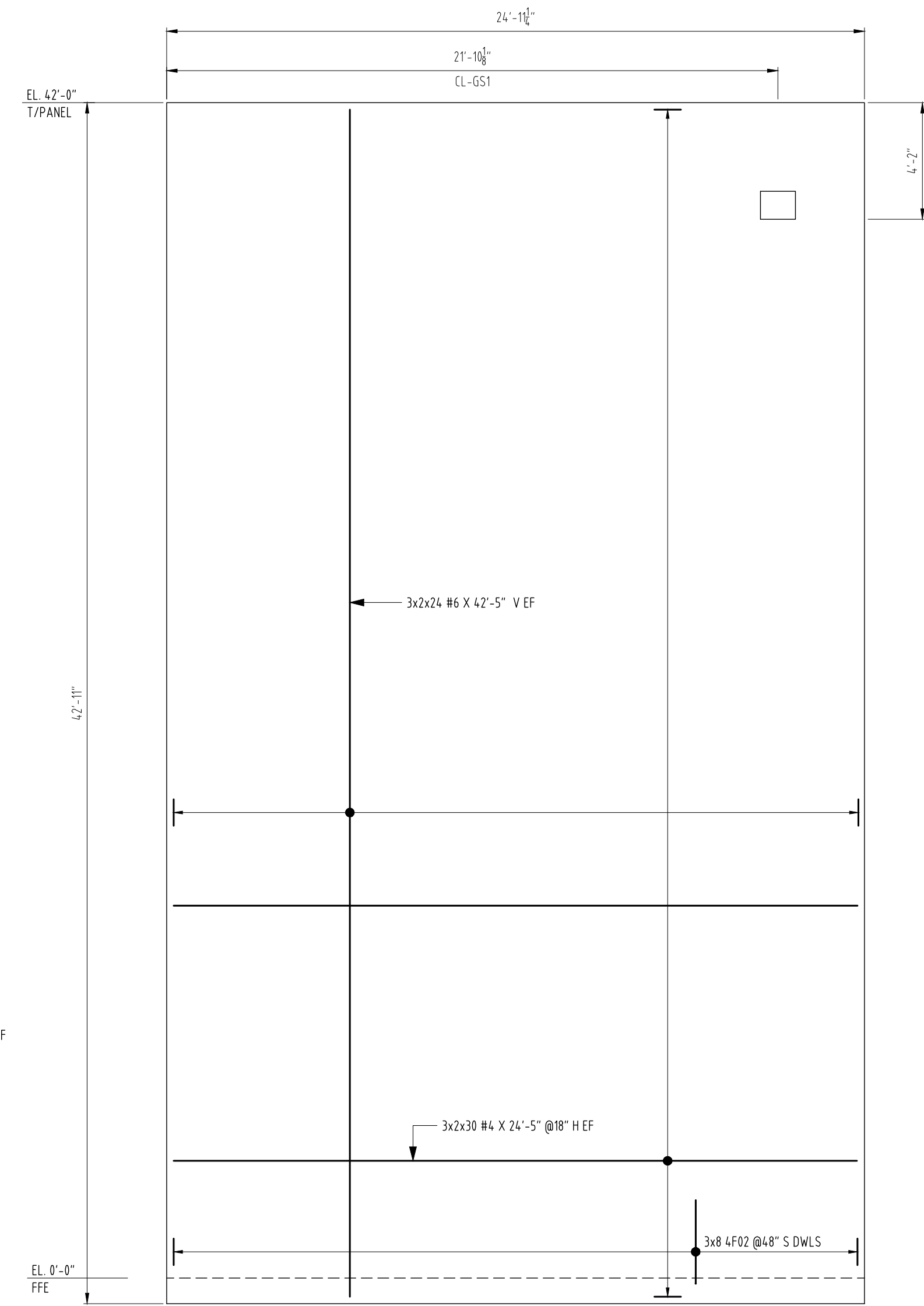
3/2" THK. PANEL

(@ 1 LOC)

PANEL - E6

SCALE: 1/4"=1'-0"
SDR: S412 & S415

NOTE: AS PER SECTION NOTE ON SDR: FIELD ADJUST
REQUIRED FOR SLAB DOWELS AT OPENING PANELS (TYP.)

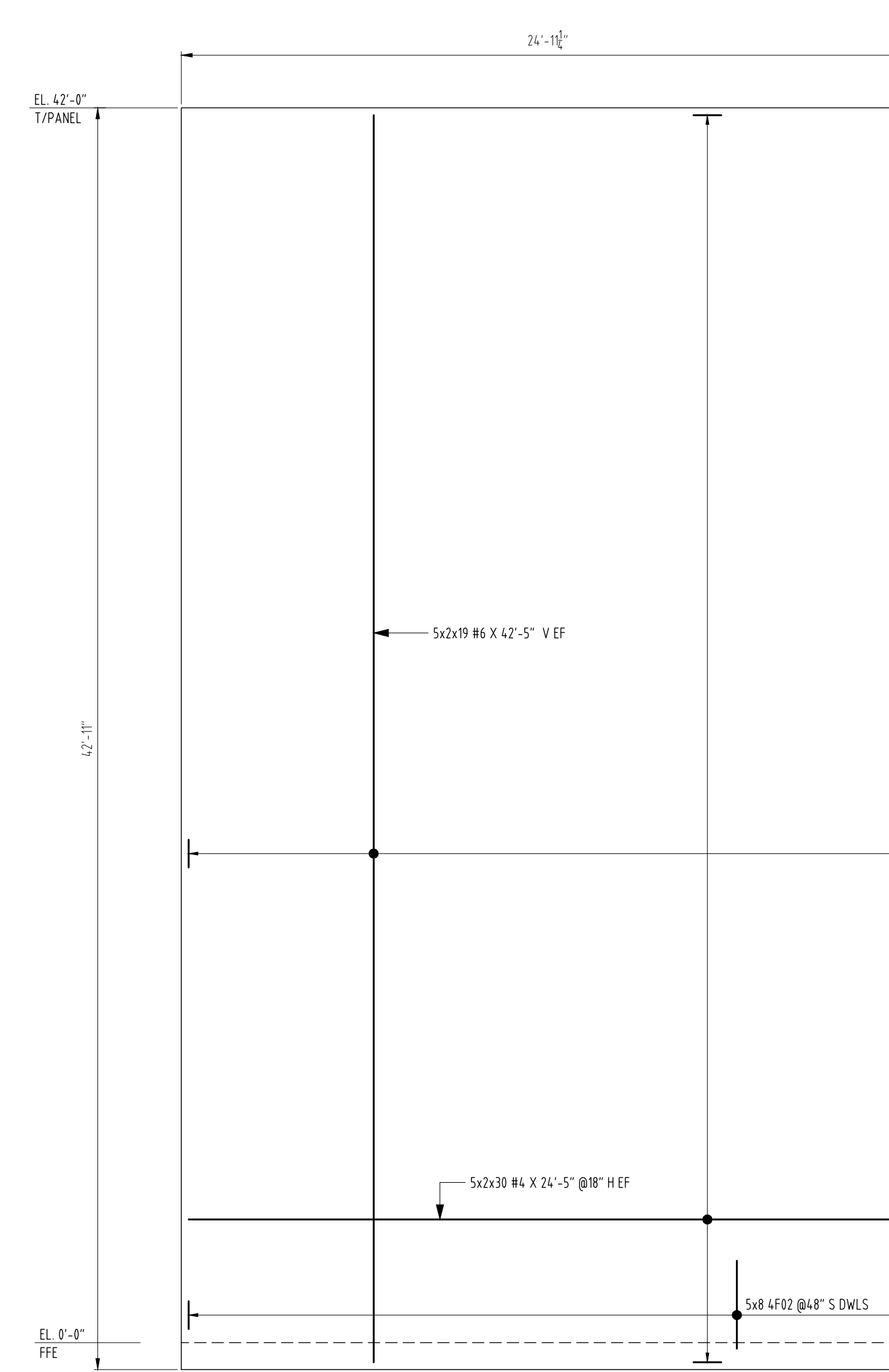


3/2" THK. PANEL

(@ 3 LOCS)

PANEL - E7, W6 & W8

SCALE: 1/4"=1'-0"
SDR: S412 & S415



3/2" THK. PANEL

(@ 5 LOCS)

PANEL - E8, E10, W3, W5 & W7

SCALE: 1/4"=1'-0"
SDR: S412 & S415

FOR FIELD USE

ASTM 615 - GR 60 - BLK

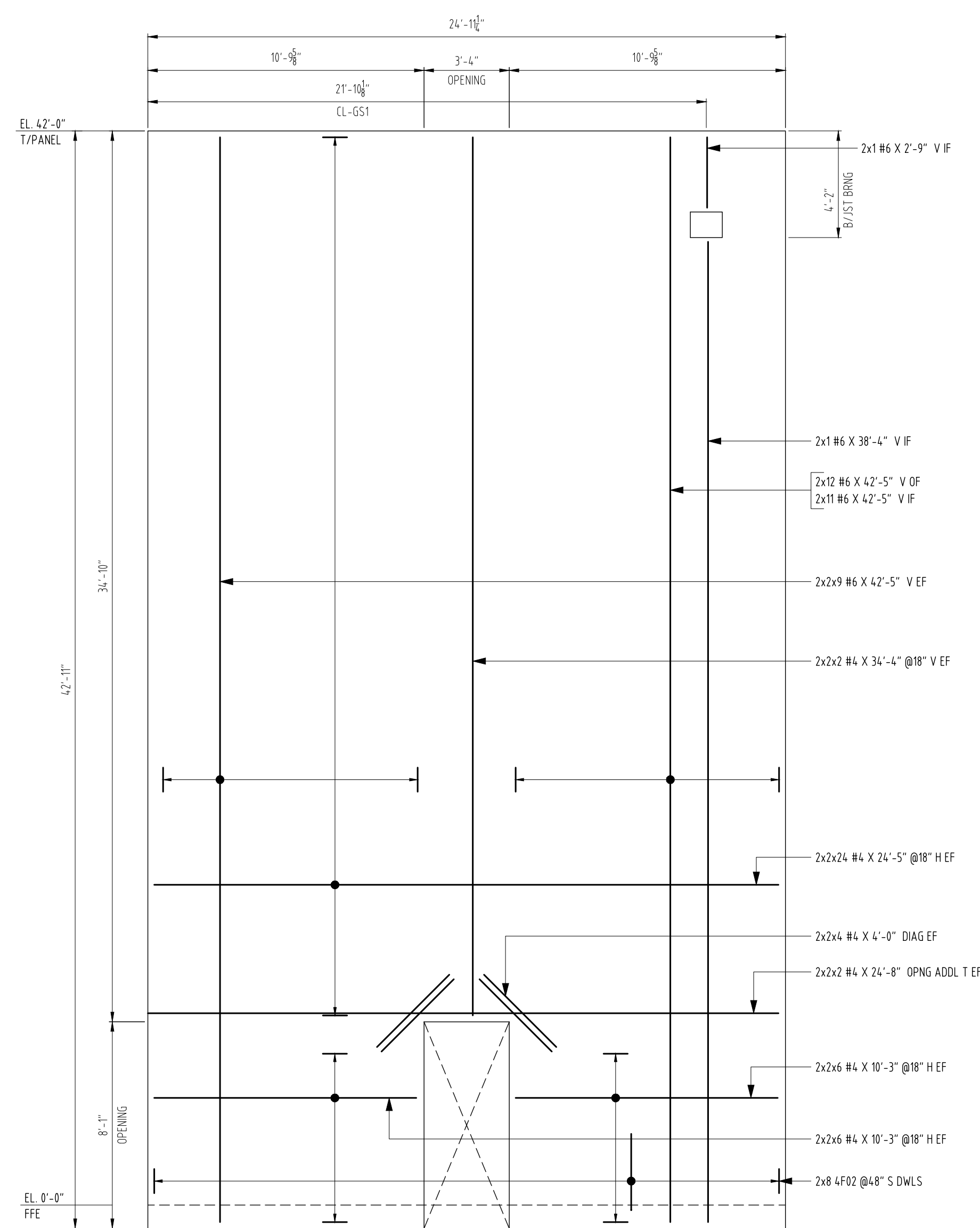
R05N

Drawn by: WES

Check by: RK

Revision: 02

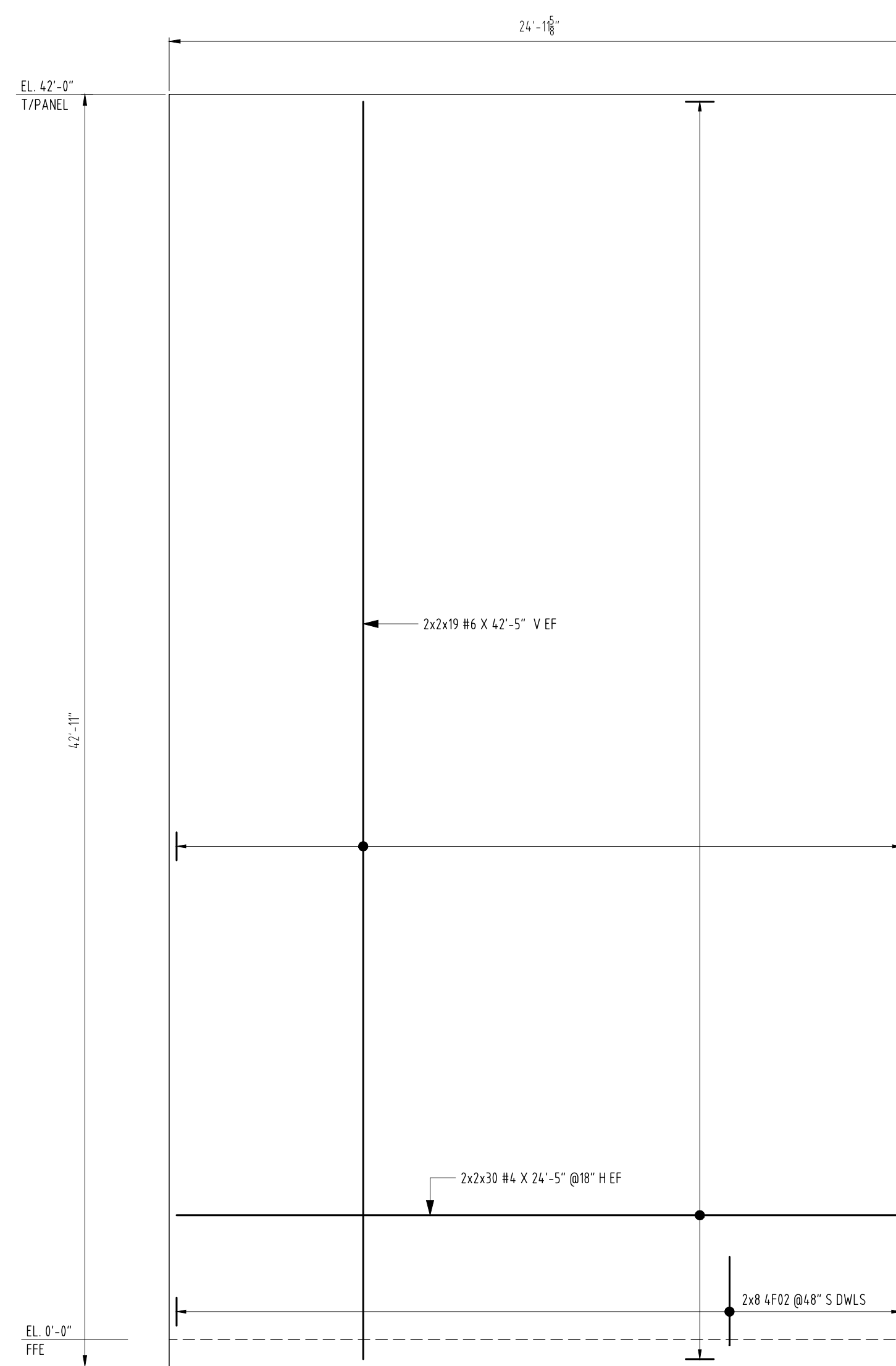
Date: 12/11/25



3/8\"/>

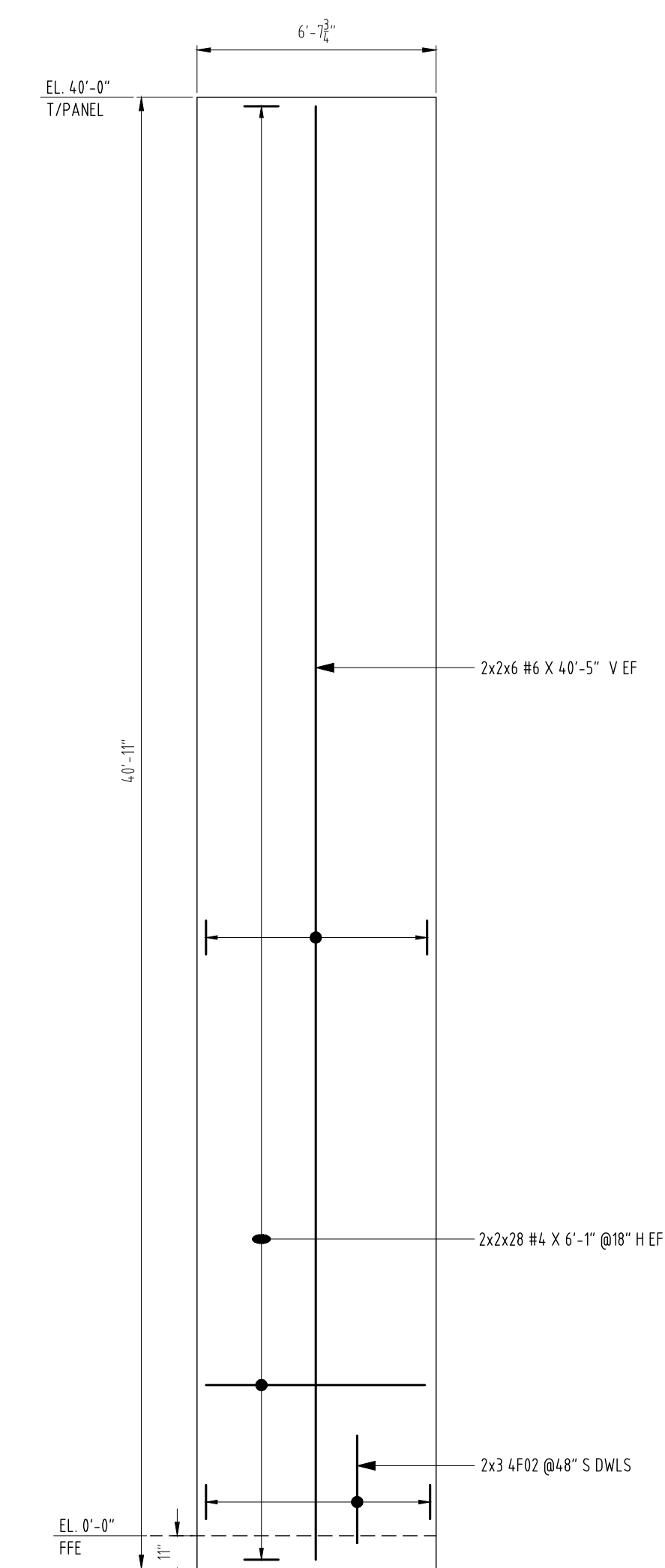
PANEL - E9 & W4
SCALE: 1/4\"/>

NOTE: AS PER SECTION NOTE ON S500, FIELD ADJUST REQUIRED FOR SLAB DOWELS AT OPENING PANELS (TYP.)



3/8\"/>

PANEL - E11 & W2
SCALE: 1/4\"/>



3/8\"/>

PANEL - E12 & W1
SCALE: 1/4\"/>

FOR FIELD USE

ASTM 615 - GR 60 - BLK

R05P

Project:

Client: —

Level: FOUNDATION TO ROOF

Description: TILT-UP WALL PANEL

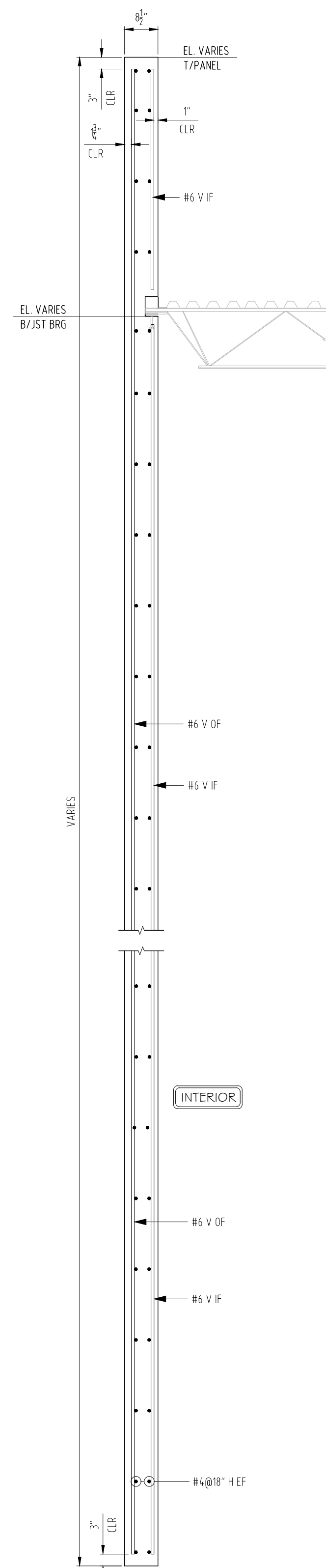
Location: —

Drawn by: WES

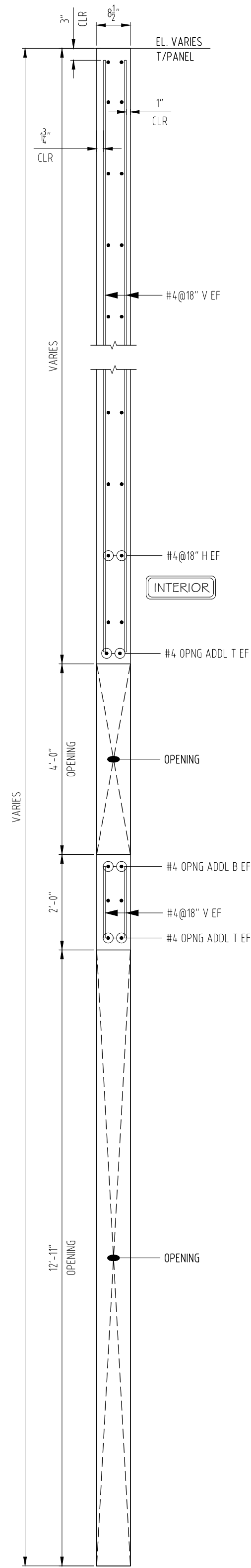
Check by: RK

Revision: 02

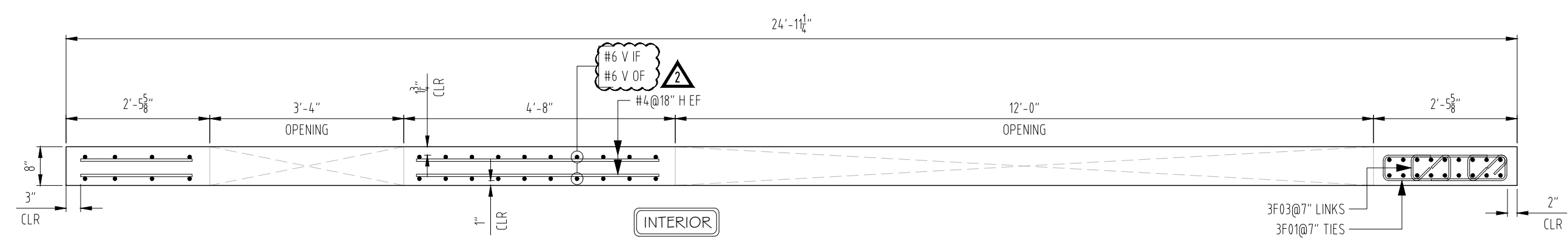
Date: 12/11/25



SECTION 1
SCALE: 1/2"=1'-0"
SDR: S1/S311

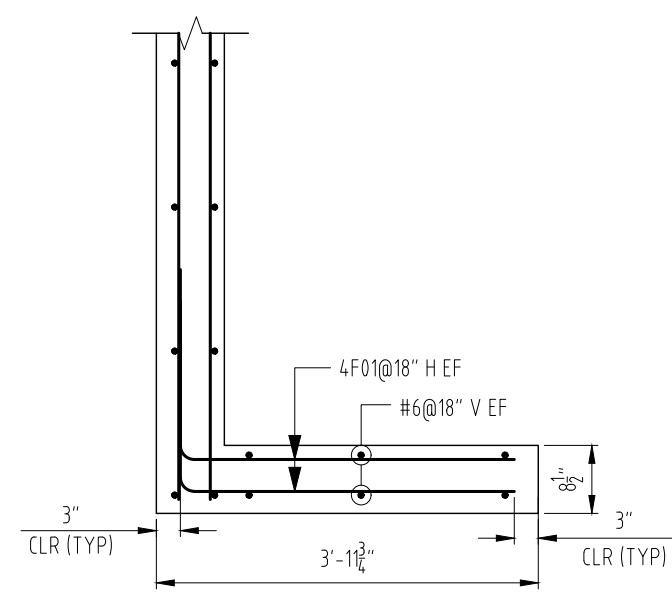


SECTION 2
SCALE: 1/2"=1'-0"
SDR: S3/S311



(TYPICAL HORIZONTAL SECTION @ OPENING)

SECTION 3
SCALE: 1/2"=1'-0"
SDR: A/S500

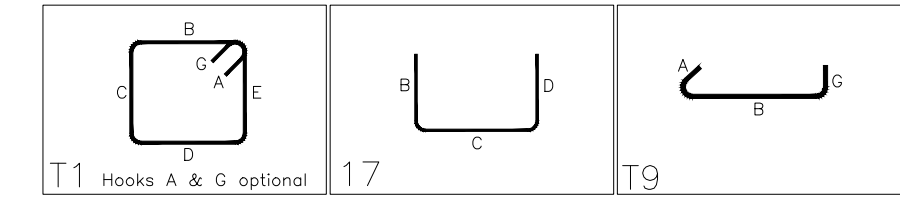


(TYPICAL PLAN VIEW @ RETURNED PANEL)

SECTION 4
SCALE: 1/2"=1'-0"
SDR: A/S500

Drawing Sheet : R05

Bar Mark	Qty	Size	Total length	Type	X	Y	Z	W	V	U	T	S	R	Q	P	O	N	M	L	K	J	I	H	G	F	E	D	C	B	A
3F01	54	#3	5'-10"	T1	0'-4.4"	2'-1.8"	0'-5.4"	2'-1.8"	0'-5.4"																					
3F02	48	#3	5'-5"	T1	0'-4.4"	1'-10"	0'-5.4"	1'-10"	0'-5.4"																					
4F01	372	#4	5'-4"	T1	0'-4.4"	2'-0"	0'-5.4"	2'-0"	0'-5.4"																					
4F02	584	#4	6'-0"	T1	0'-4.4"	3'-0"	0'-5.4"	3'-0"	0'-5.4"																					
3F03	336	#3	1'-1.8"	T9	0'-4.4"	0'-5.4"			0'-4"																					



Project: _____
 Client: _____
 Level: FOUNDATION TO ROOF
 Description: TILT-UP WALL PANEL
 Location: _____

Drawn by: WES
 Check by: RK
 Revision: 02
 Date: 12/11/25

FOR FIELD USE
 ASTM 615 - GR 60 - BLK

R05Q