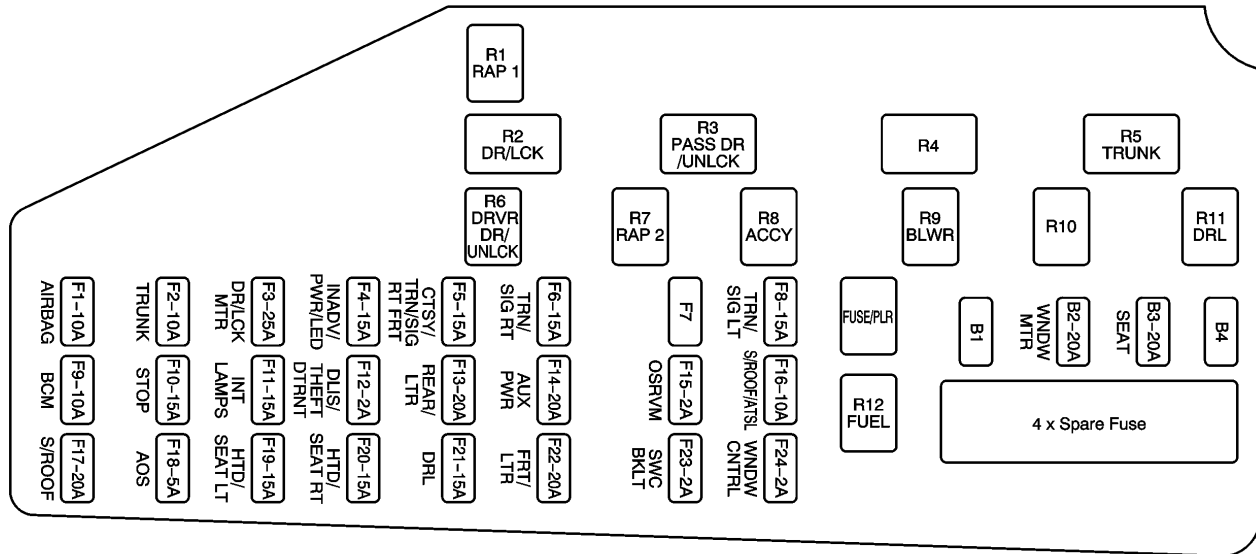


FUSE BLOCK – I/P LABEL ...

FUSE BLOCK – I/P LABEL (WIRING SYSTEMS AND POWER MANAGEMENT)

Document ID# 2454855

Fuse Block – I/P Label



Fuse Block – I/P Label Usage

No.	Device	Rating	Description
Circuit Breakers			
B1	SPARE	—	Not Used
B2	WNDW MTR	20A	Door Lock/Window Switch, Window Control Module, RAP 2 Relay
B3	SEAT	20A	Seat Adjuster Switches
B4	SPARE	—	Not Used
Fuses			
F1	AIRBAG	10A	Inflatable Restraint Sensing and Diagnostic Module (SDM)

F2	TRUNK	10A	TRUNK Relay
F3	DR/LCK	25A	Door Lock Relays
F4	INADV/PWR/LED	15A	Body Control Module (BCM)
F5	CTSY/TRN/SIG RT FRT	15A	Body Control Module (BCM)
F6	TRN/SIG RT	15A	Body Control Module (BCM)
F7	SPARE	—	Not Used
F8	TRN/SIG LT	15A	Body Control Module (BCM)
F9	BCM	10A	Body Control Module (BCM)
F10	STOP	15A	Body Control Module (BCM)
F11	INT LAMPS	15A	Body Control Module (BCM)
F12	DLIS/THEFT DTRNT	2A	Theft Deterrent Module (TDM) , Ignition Switch
F13	REAR/LTR	20A	Cigar Lighter – Console
F14	AUX PWR	20A	Accessory Power Outlets
F15	OSRVM	2A	Door Lock/Window Switch
F16	S/ROOF/ATSL	10A	Ignition Lock Cylinder Control Solenoid, Sunroof Control Module
F17	S/ROOF	20A	Sunroof Control Module (CF5)
F18	AOS	5A	Inflatable Restraint Front Passenger Presence System (PPS) Module
F19	HTD/SEAT LT	15A	Seat Heating Module – Driver
F20	HTD/SEAT RT	15A	Seat Heating Module – Passenger
F21	DRL	15A	DRL Relay
F22	FRT/LTR	20A	Cigar Lighter
F23	SWC BKLT	2A	Steering Wheel Control Switch

F24	WNDW CNTRL	2A	Door Lock/Window Switch
R1	RAP 1 Relay	—	WNDW CNTRL Fuse, WNDW MTR Circuit Breaker
R2	DR/LCK Relay	—	Door Latches
R3	PASS DR/UNLCK Relay	—	Door Latches
R4	Not Used	—	Not Used
R5	TRUNK Relay	—	Rear Compartment Lid Latch
R6	DRVR DR/UNLCK Relay	—	Driver Door Latch, Fuel Door Release Actuator
R7	RAP 2 Relay	—	REAR LTR Fuse, AUX PWR Fuse, FRT LTR Fuse
R8	ACCY Relay	—	OSRVM Fuse, S/ROOF ATSL
R9	BLWR Relay	—	Blower Motor, Blower Motor Control Module
R10	Not Used	—	Not Used
R11	DRL Relay	—	Headlamp Low Beams
R12	FUEL Relay	—	Fuel Pump and Sender Assembly

"Portions of materials contained herein have been reprinted with permission of General Motors Corporation, Service and Parts Operations" License Agreement #0410810.

Copyright 2007 - 2012 Service Repair Solutions, Inc.