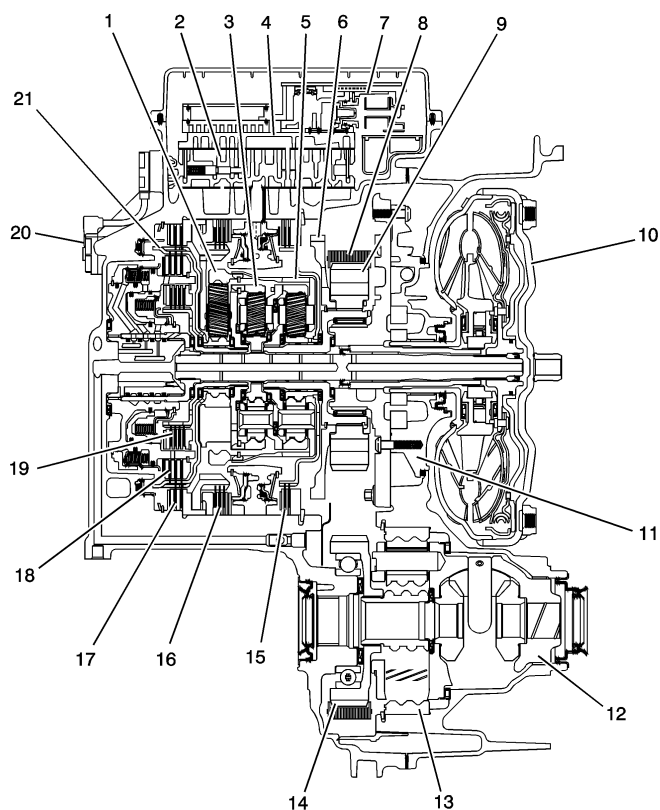


COMPONENT LOCATION (AUTOMATIC...**COMPONENT LOCATION (AUTOMATIC TRANSMISSION - 6T30/6T40/6T45/6T50)**

Document ID# 1905762

Component Location

- (1) Reaction Carrier Assembly
- (2) Control Valve Body Assembly
- (3) Input Carrier Assembly
- (4) Valve Channel Plate
- (5) Output Carrier Assembly
- (6) Park Gear
- (7) Control Solenoid (w/Body and TCM) Valve Assembly
- (8) Drive Link Assembly
- (9) Drive Sprocket
- (10) [Torque Converter](#) Assembly
- (11) A/Trans Fluid Pump Assembly
- (12) Differential Carrier Assembly
- (13) Front Differential Ring Gear
- (14) Driven Sprocket
- (15) 1-2-3-4 Clutch Assembly
- (16) Low and Reverse Clutch Assembly
- (17) 2-6 Clutch Assembly
- (18) 3-5 Reverse Clutch Assembly
- (19) 4-5-6 Clutch Assembly
- (20) A/Trans Input Speed Sensor Assembly
- (21) Reaction Sun Gear Assembly

© 2014 General Motors. All rights reserved.

Portions of materials contained herein are sourced from General Motors Inc., Co.

Copyright 2007 - 2014 Service Repair Solutions, Inc.

