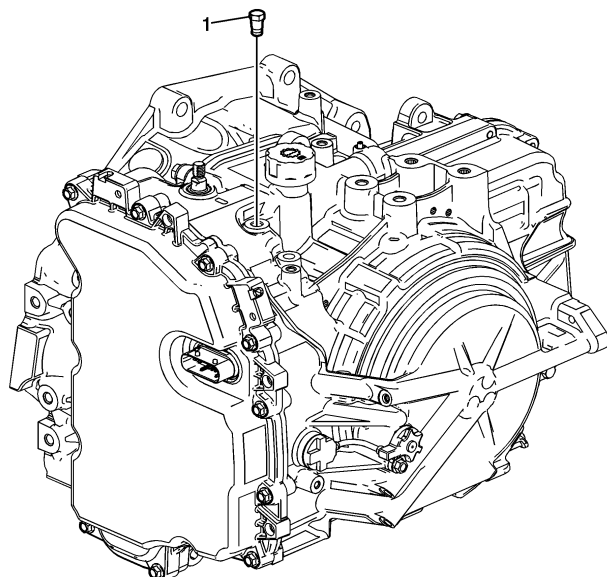


AUTOMATIC TRANSMISSION FLUID ...

AUTOMATIC TRANSMISSION FLUID PRESSURE TEST HOLE PLUG REPLACEMENT (AUTOMATIC TRANSMISSION - 6T30/6T40/6T45/6T50)

Document ID#
2164757

Automatic Transmission Fluid Pressure Test Hole Plug Replacement



Automatic Transmission Fluid Pressure Test Hole Plug Replacement

Callout	Component Name
<p>Preliminary Procedure Remove the battery tray. Refer to Battery Tray Replacement.</p>	
<p>1</p>	<p>Fluid Pressure Test Hole Plug Caution: Refer to Component Fastener Tightening Caution. Tighten 12 (106 lb in)</p>

© 2014 General Motors. All rights reserved.

Portions of materials contained herein are sourced from General Motors Inc., Co.

Copyright 2007 - 2014 Service Repair Solutions, Inc.