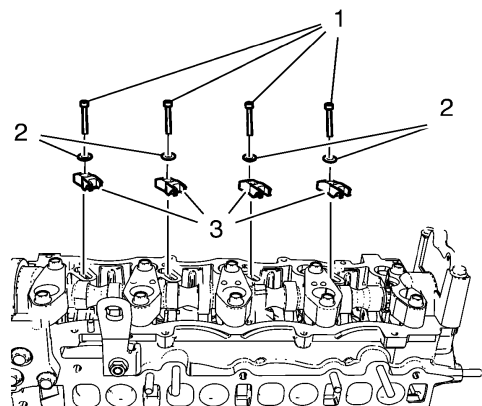
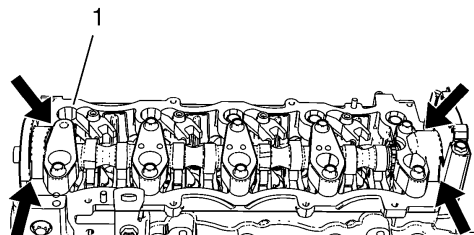


CAMSHAFT COVER REPLACEMENT (E...**CAMSHAFT COVER INSTALLATION**
Camshaft Cover Installation

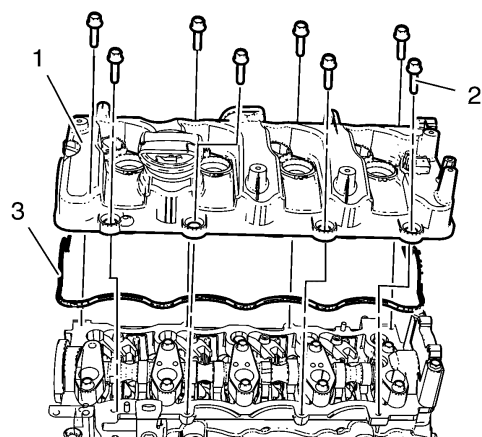
Document ID# 184958



1. Install the 4 fuel injector brackets (3).
2. Install the 4 fuel injector bracket bolts (1) and the 4 bolt washers (2).



- Note:** Ensure that the cylinder head surface (1) is clear of oil, grease and old gasket material.
3. Coat the RTV sealant on the camshaft front/rear bearing cap surface (arrows).



4. Install a NEW cylinder head cover gasket (3).
5. Install the cylinder head cover (1).
- Caution:** Refer to [Fastener Caution](#).
6. Install the 8 cylinder head cover bolts (2) and tighten to **12 (107 lb in)**.

© 2014 General Motors. All rights reserved.

Portions of materials contained herein are sourced from General Motors Inc., Co.

Copyright 2007 - 2014 Service Repair Solutions, Inc.