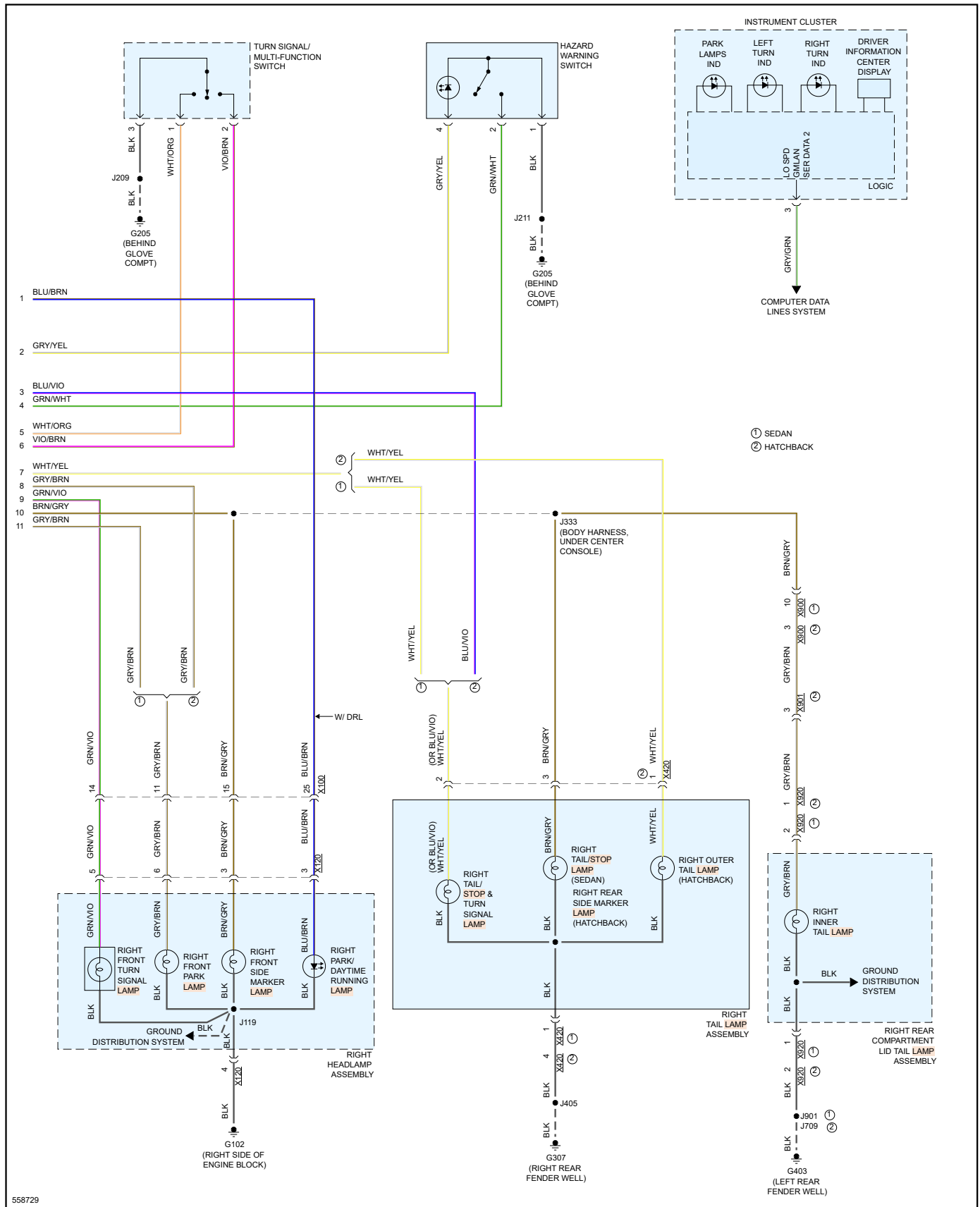


Diagram 3



558729