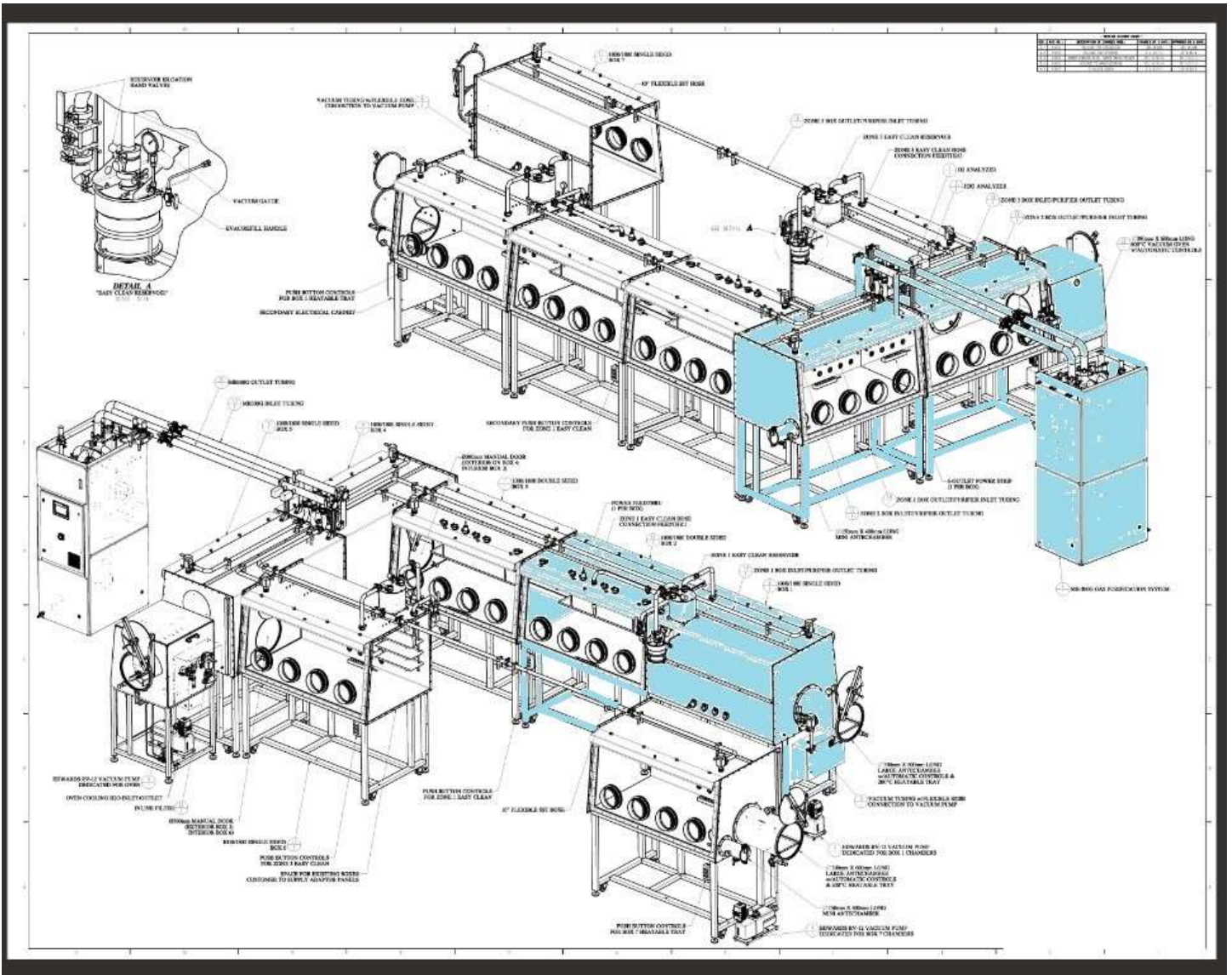


Item 24-299 Used incomplete system removed from larger working system.- Mfg Date 2014 - Includes: MBraun™ MB200MOD Gloveboxes (4 ea.), MB-300-G-V2A Purifier, MB-OR-H-V-600-390-W 600 C Vacuum Oven, MB-LMF-Auto Solvent Traps (2 ea.), MB-Easyclean-BL01-Particle Remover- Valves and Piping, spare Mini and Large Antechambers and Panels, various unidentified parts. OFFERED "AS IS, WHERE IS"





This is a drawing of the original system, the areas in blue represent the portion that is for sale. As an option UsedGloveBox.com can help to determine what may be needed to integrate this into a working system.



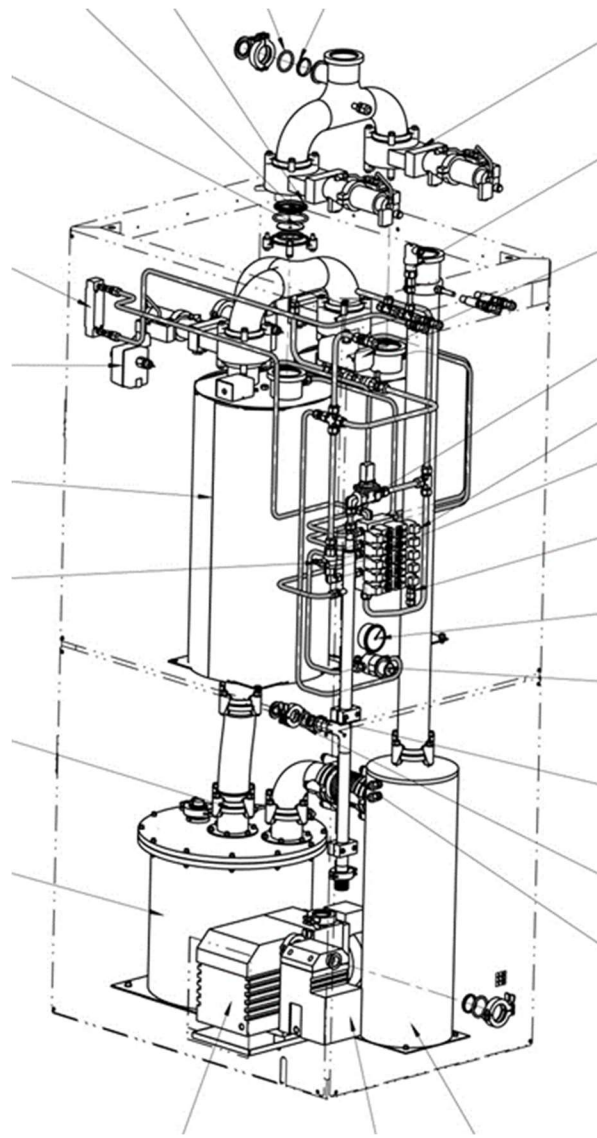


The gloveboxes are modular, there may be an adapter panel required for some connections.



Circulation piping & MB-Easyclean-BL01- Particle Remover





MB-300-G-W-VGA - Gas Purification System

2 filter columns allow for continuous circulation, capacity blower 120 m3/hour, water cooled heat exchanger, touch screen operation panel, PLC controlled automatic regeneration and automatic pressure control of glovebox.





Electric Supply System 3 x 208 VAC/60 Hz / 3 Phase / PE



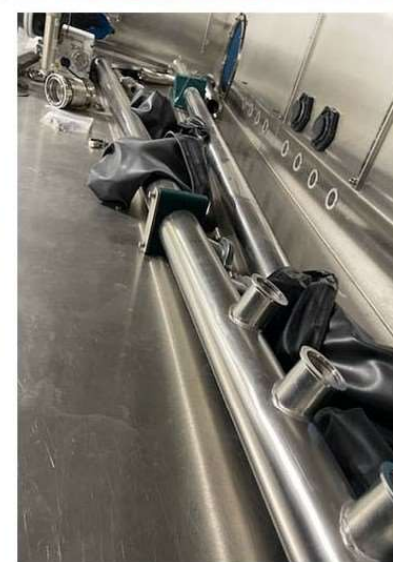
MB-OR-H-V-600-390-W 600 C Vacuum Oven – vacuum pump not included



MB-LMF-Auto Solvent Traps (2 ea.)



MB-Easyclean-BL01- Particle Remover



Assorted Parts