

8

7

6

5

4

3

DWG NO. 1112019-SK

SH 1 REV

1

D

D

C

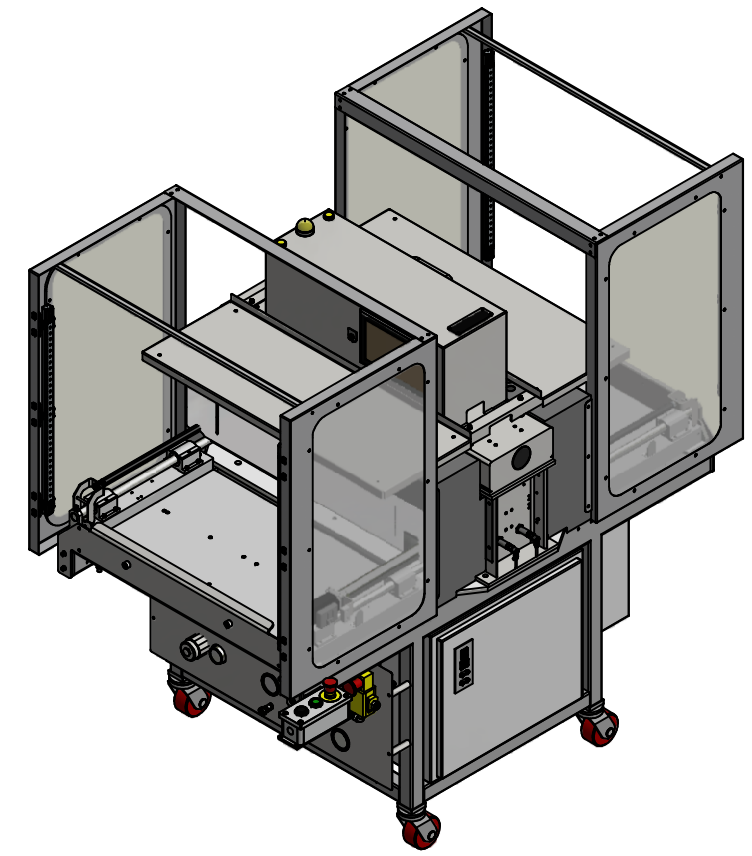
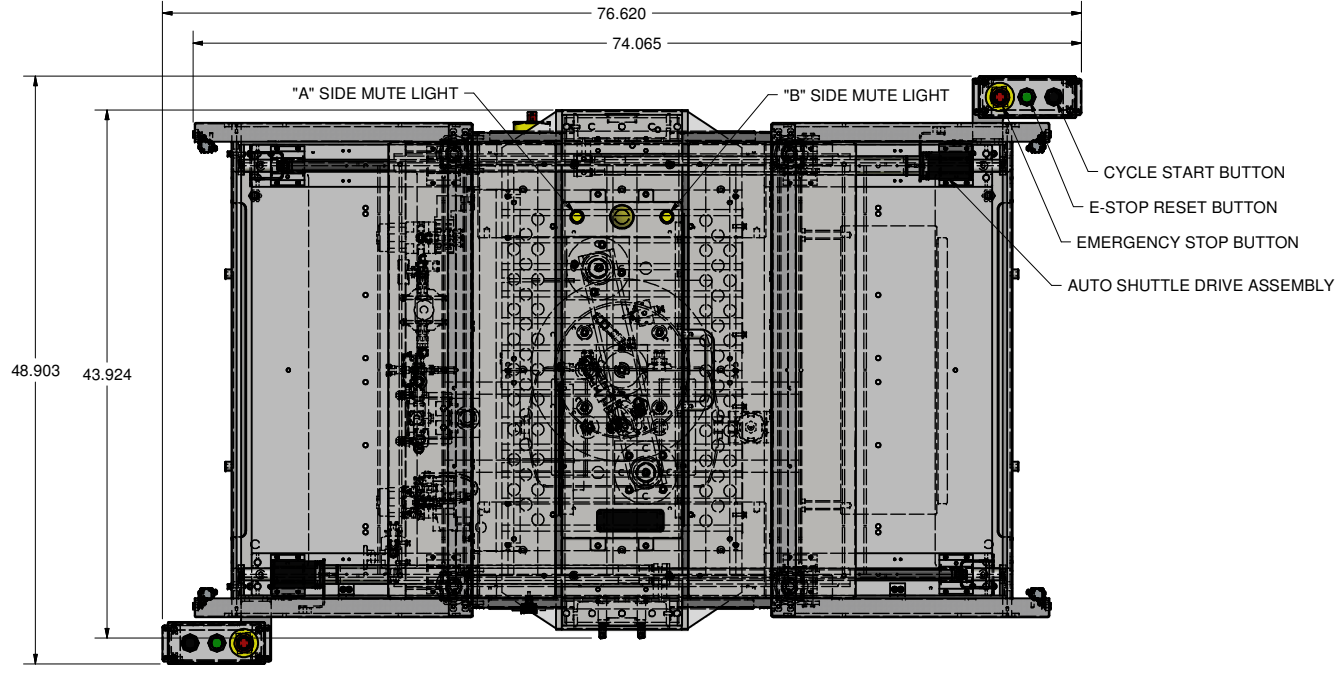
C

B

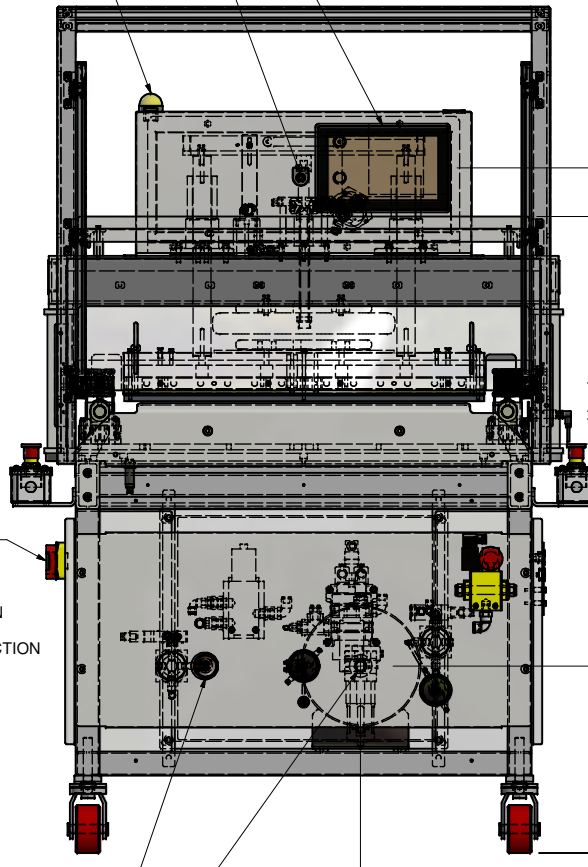
B

A

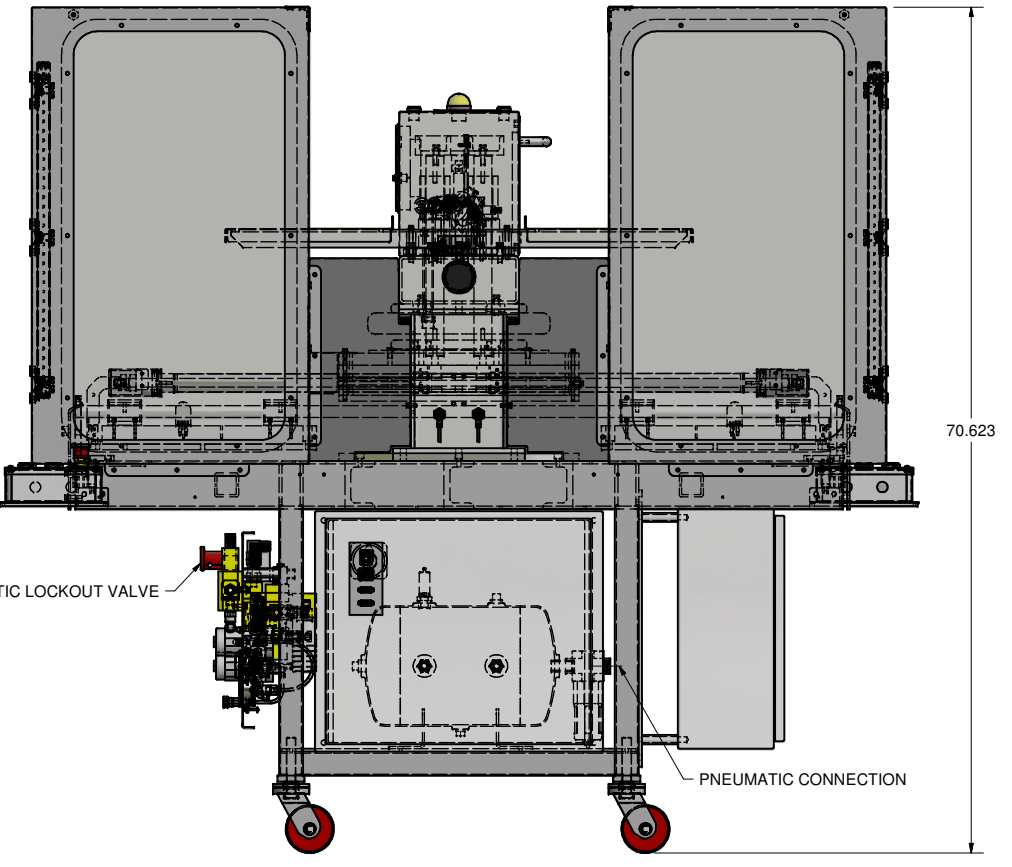
A



OIT / HMI TERMINAL  
 SAFETY CONTROL RESET BUTTON  
 ALARM DOME LIGHT  
 TEMPERATURE  
 PNEUMATIC  
 READY TO CYCLE



TOOLING NEST WILL ADD 2 TO 3 INCHES TO THE WORK SURFACE



NOTE: SEE OPERATOR AND MAINTENANCE MANUAL SECTION 2 FOR ELECTRICAL AND PNEUMATIC REQUIREMENTS

STATEMENT OF OWNERSHIP: THIS MATERIAL IS THE EXCLUSIVE PROPERTY OF ATLAS VAC MACHINE LLC AND MUST BE RETURNED TO ATLAS VAC MACHINE LLC IMMEDIATELY UPON REQUEST. THIS MATERIAL AND THE INFORMATION ILLUSTRATED OR CONTAINED HEREIN MAY NOT BE REPRODUCED, COPIED, USED OR TRANSMITTED IN WHOLE OR PART IN ANY WAY WITHOUT THE PRIOR WRITTEN CONSENT OF ATLAS VAC MACHINE LLC. UNLICENSED DUPLICATION OF ANY ATLAS VAC MACHINE LLC COMPONENT OR ASSEMBLY ILLUSTRATED IN WHOLE OR PART IS PROHIBITED AND SUBJECT TO PROSECUTION.

UNLESS OTHERWISE SPECIFIED DIMENSIONS ARE IN INCHES. TOLERANCES ARE: .X ±.1 ANGLES ±1° .XX ±.015 SURF FINISH 125 .XXX ±.005 DO NOT SCALE DRAWING THIRD ANGLE PROJECTION		CONTRACT NO.		<b>Atlas Vac Machine</b>	
APPROVALS		DATE		DESCRIPTION	
DRAWN Mike		1/10/2019		Electric Shuttle Light Curtain Sealer	
CHECKED				SIZE CAGE CODE DWG. NO. REV.	
ENGR				D 99296 1112019-SK	
DESIGN mikeo		2/5/2009		SCALE CALC. WTT ACT. WTT SHEET 1 OF 1	
MATERIAL		MFG		CAD FILE NAME 18-30 Dual Side Bima 2.idw	
TREATMENT		FINISH			

DWG NO. 1112019-SK SH 1 REV

\\ay-nas1\Engineering\Atlas Vac Models, R&D\18-30 Dual Side Updated\18-30 Dual Side Bima 2.idw