



FUNCTIONSMITH, INC.

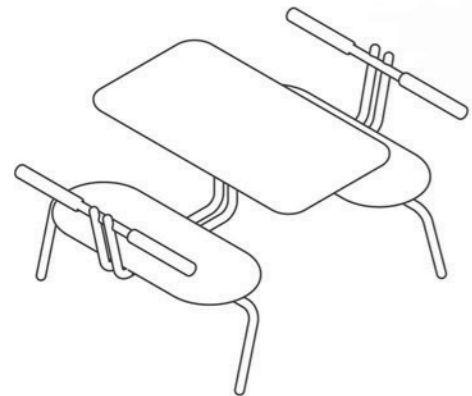
MANILA • GUANGZHOU



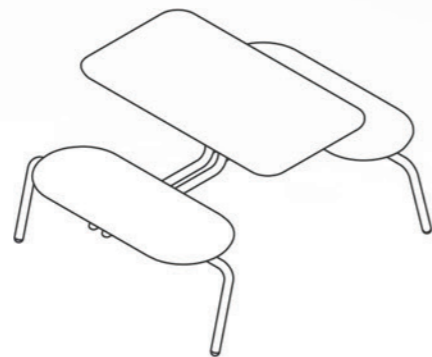




By using carefully arranged chamfers, from the seat plate to the table top, Specially matched with the color of the pipe frame and the texture of the chair surface, well adapted to the style of various spaces towards. Minimalist design of the backrest, made of soft plastic wrapping, can not only isolate the cold touch brought by the steel tube, but also bring comfortable and reasonable support for the back.



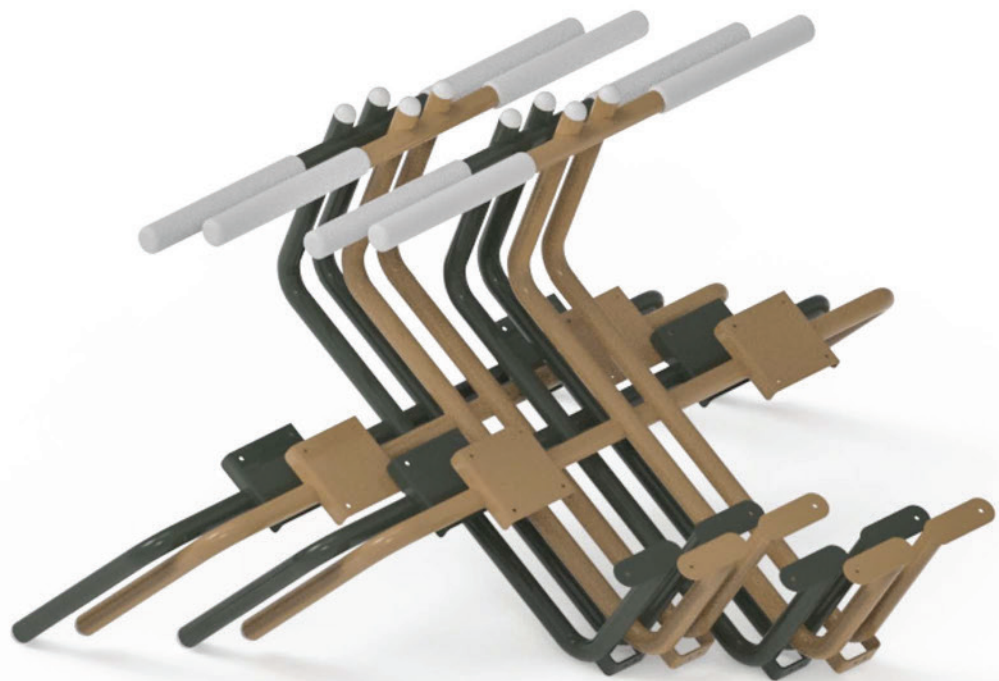
1680X 1200 X 780
OCT-00B



1540X 1200 X 750
OCT-00



FUNCTIONSMITH, INC.
MANILA • GUANGZHOU



FUNCTIONSMITH, INC.

MANILA • GUANGZHOU



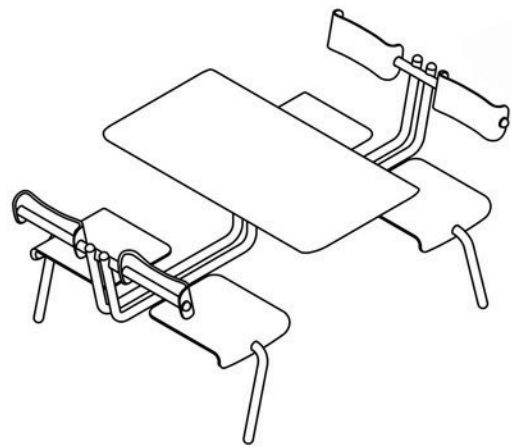
FUNCTIONSMITH, INC.

MANILA • GUANGZHOU

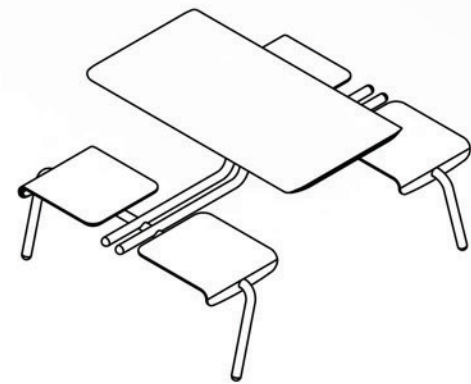




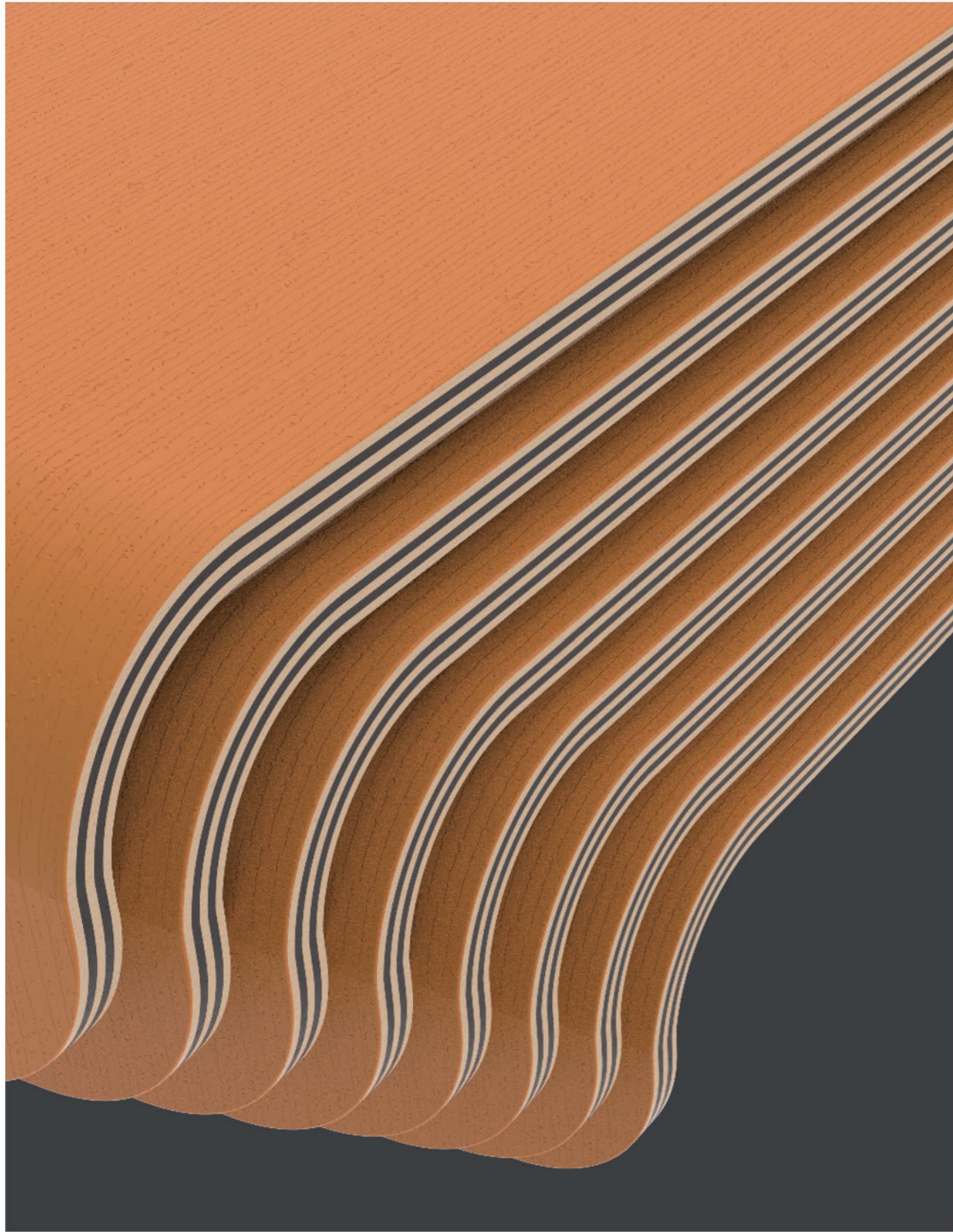
The Air seat and backrest is formed with the natural elements as a source of inspiration, for a more harmonious and close to nature dining experience. The bending wood is just like a sail in the wind, growing and undulating with the backrest of the pipe rack. The shape also emphasizes the space between the different parts giving the whole furniture a light and airy feeling steady yet calm direction. And the user a natural embrace.



1990X 1200 X 825
ACT-00B



1720X 1200 X 750
ACT-00



FUNCTIONSMITH, INC.
MANILA • GUANGZHOU



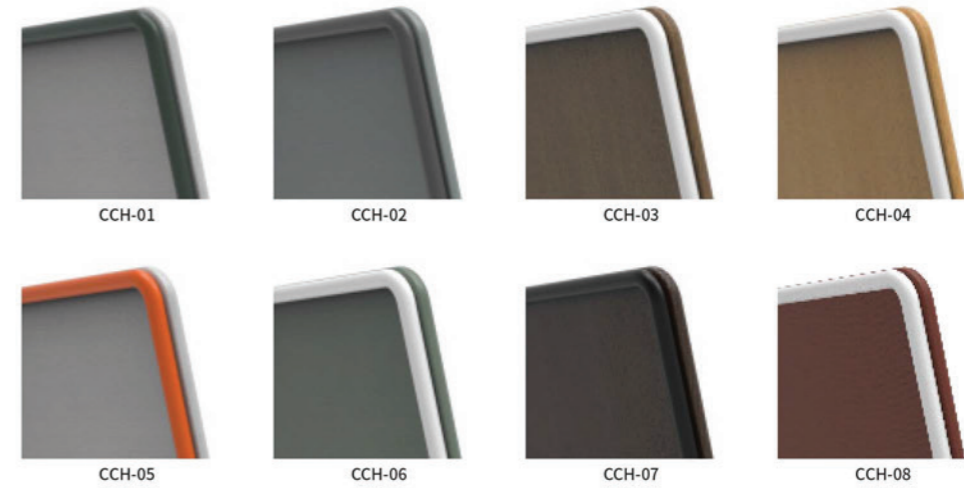
FUNCTIONSMITH, INC.

MANILA • GUANGZHOU

The first ideas of a design is always made up of lines drawn on a paper. Trying to catch a shape with an outline. So we wanted to start with this and use simple lines to outline the shape of the chair. While experimenting with different ways of combining steel pipes into a chair frame, then a unique shape was born. Two lines that surrounding each other, create a structure while at the same time form the space of the seat and backrest. So here, the backrest and the seat surface are shaped and embedded in the frame just like butter.



Contour



Contour is a set of furniture with a very graphic expression available in three types of seats. A Chair, stool and bar stool. A bar table have also been custom designed to fit the Contour family. The colorful variations, together with the diverse color schemes, can stand out in the environment as well as blend calmly into the scene itself.



CBT-01



CBT-02



CBT-03



530 X 525 X 740
CCH-00



530 X 530 X 810
CST-00



530 X 525 X 500
CBS-00



1900 X 800 X 1050
CBT-00



FUNCTIONSMITH, INC.

MANILA • GUANGZHOU



Edge canteen table is a new solution to completely eliminate the need for the on-site assembly. It is avant-garde enough to be unique among all kinds of canteen tables. Thanks to its stacking steel frame structure, the furniture is delivered in one complete piece. The structure is both optimized for transport, as well as making it a suitable option for user environments that need more freely to use the space.





ECT-01



ECT-02



ECT-03



ECT-04



ECT-05

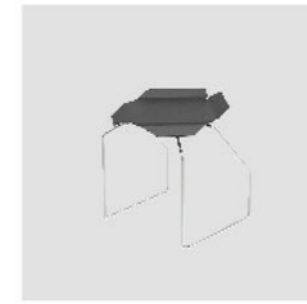
For this frame we made a hi-tech inspired seat pushing the manufacturing to the edge of the capability. Also giving it its name. The bend-wood seat with its unique 45 degree bend, not only emphasizes a direction forward. What makes it even more unique is the use of a special staining and lamination process that sandwiches two layers of colored wood panels into the production process, thus adding brilliance to the unadorned edges. The beautiful colors are transformed into lines that undulate with the surface of the board, outlining the unique layers and aesthetics of the laminate. This is one of the largest product families, offering an extremely wide range of options. It includes chairs, stools, bar stools, bar tables and canteen tables. We have combined the same chair surface with different tube frames to create endless possibilities.



EBS-01



EBS-02



EBS-03



EBS-04



EBS-05



EBT-01



EBT-02



EBT-03

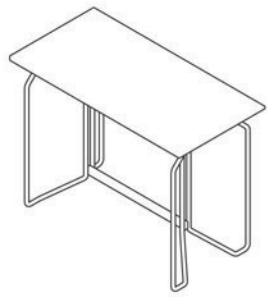


EBT-04

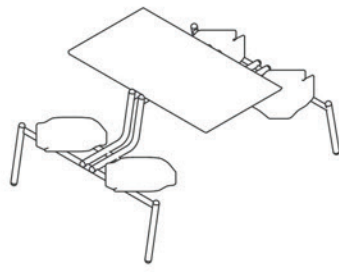


EBT-05





1400 X 692 X 1050
 EBT-00



1715 X 1200 X 750
 ECT-00



473 X 430 X 770
 EBS-00



473 X 430 X 478
 EST-00



473 X 430 X 738
 ECH-00

INDEX



OCT-00B



OCT-00



ACT-00B



ACT-00



CCH-00



CST-00



CBS-00



CBT-00



ECT-00



EST-00



EBS-00



ECH-00



EBT-00



FUNCTIONSMITH, INC.
MANILA • GUANGZHOU

779 Acacia Street, Octagon Industrial Estate Subdivision,
Barangay Dela Paz, Pasig City, 1600, Metro Manila, Philippines

(02) 7753-2292 / (02) 7753-2359 / (02) 7148-5208
(02) 8645-4994 / (02) 8645-2664 / (02) 8645-4284

