



Showroom:
781 Acacia Street, Octagon Industrial Estate Subdivision,
Barangay Dela Paz, Pasig City, Metro Manila, 1600, Philippines

Manufacturing Plant:
779 Acacia St., cor. Yakal St., Octagon Industrial Estate Subdivision,
Barangay Dela Paz, Pasig City, Metro Manila, 1600, Philippines

+632 7753-2292 | +632 7753-2359 | +632 8645-4994 | +632 8645-2664
marketing@functionsmith.com / sales@functionsmith.com



WWW.FUNCTIONSMITH.COM

FUNCTIONSMITH, INC.
MANILA • GUANGZHOU

WWW.FUNCTIONSMITH.COM



FUNCTIONSMITH, INC.
MANILA • GUANGZHOU



**SMART LOCKS
SERIES**



CONTENTS

S-20 LOT LOCK	001/096
S-30 LOT LOCK	097/104
M-16 LOT LOCK	105/136
M-17 LOT LOCK	137/154
M-18 LOT LOCK	155/160
M-19 LOT LOCK	161/168
M-17 LOT LOCK	169/218
JG-01 LOT LOCK	219/220





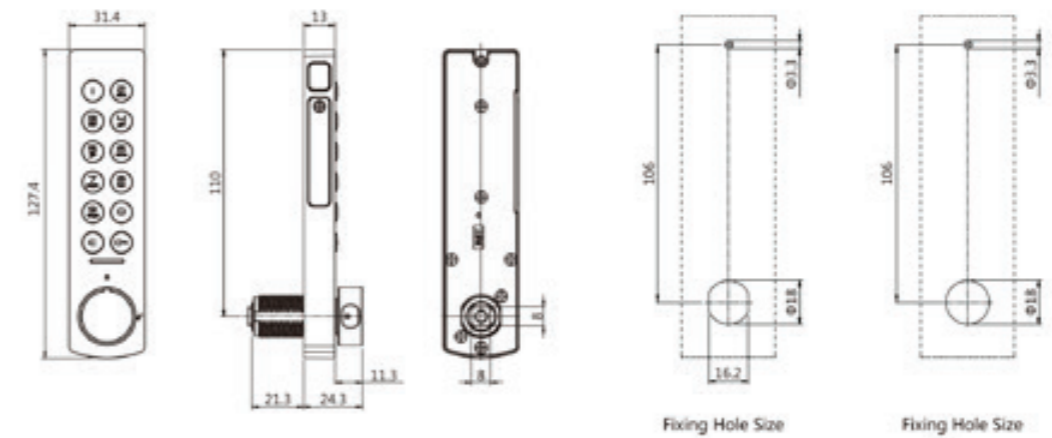
S-2010B-00A0

Features Benefits

- Condensing the core technology using advanced microelectronic technology and algorithms
- Adopts metal thickened shell, which is more firm and reliable, and the surface treatment of strong metal texture
- 12-key touch screen panel, the password can be any combination of 4-15 digits
- Users can set and change passwords, automatically save when power off, and never lose garbled characters
- Introduced with Anti-Theft Technology and Fake PIN password function
- Powered by a button battery, long battery life, with automatic prompt function of power shortage
- Private, public mode user-defined, with occupancy prompt function
- Equipped with hidden management mechanical key
- There are many kinds of optional accessories, providing more personalized solutions for installation and use environment
- With management password and user password function
- Type-C interface can provide emergency power supply



Product Size



(Model)	(Specification)A	(Rotation)	(Function)	Applicable plate
S-2010B-00A0	Electronic password lock	90° / 180°	/	Wooden board (16-20mm) Steel plate (0.6-2mm)

S-2010B-00A0 NEW

BOTH METAL AND WOODEN

Material: Zinc alloy, ABS

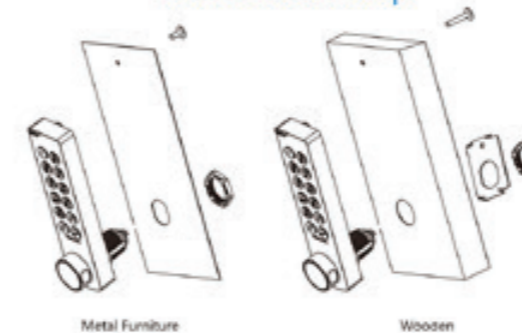
Finish: Electroplated brushed nickel, painted iron grey

Suitable thickness: 0.6-20 mm

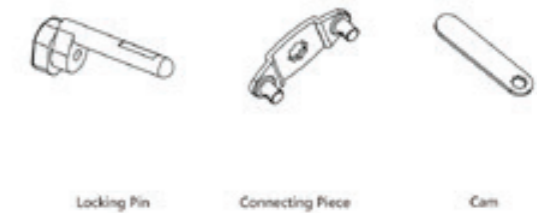
Patent No: CN202230001428.3



Installation Step



Optional Accessories



S-2010B-SFA0

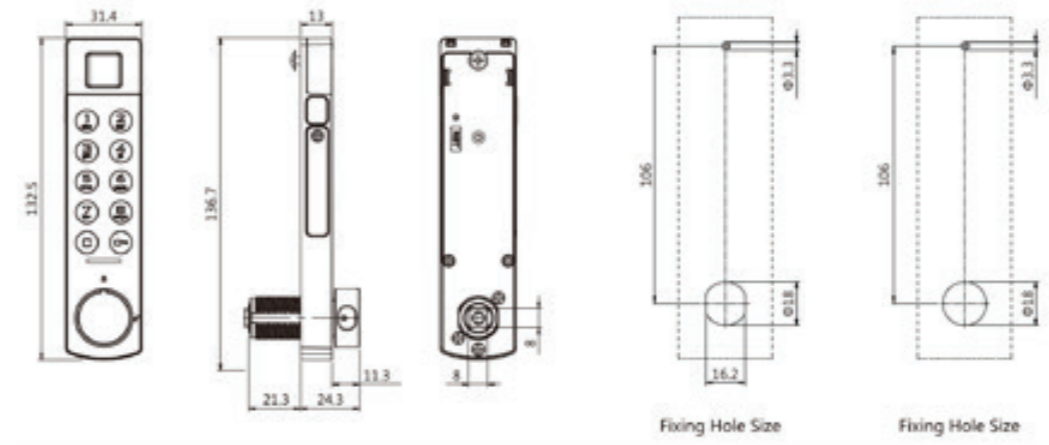


Features Benefits

- Condensing the core technology using advanced microelectronic technology and algorithms
- Adopts metal thickened shell, which is more firm and reliable, and the surface treatment of strong metal texture
- Adopt international high-performance, self-learning fingerprint module
- 12-key touch screen panel, the password can be any combination of 4-15 digits
- Users can set and change passwords, automatically save when power off, and never lose garbled characters
- Introduced with Anti-Theft Technology and Fake PIN password function
- Powered by a button battery, long battery life, with automatic prompt function of power shortage
- Private, public mode user-defined, with occupancy prompt function
- Equipped with hidden management mechanical key
- There are many kinds of optional accessories, providing more personalized solutions for installation and use environment
- With management password and user password function
- Optional Bluetooth, mobile APP and background management functions
- Type-C interface can provide emergency power supply



Product Size



(Model)	(Specification)A	(Rotation)	(Function)	Applicable plate
S-2010B-SFA0	Fingerprint Bluetooth lock	90° /180°	/	Wooden board (16-20mm) Steel plate (0.6-2mm)



S-2010B-SFA0 NEW

BOTH METAL AND WOODEN

Material: Zinc alloy, ABS

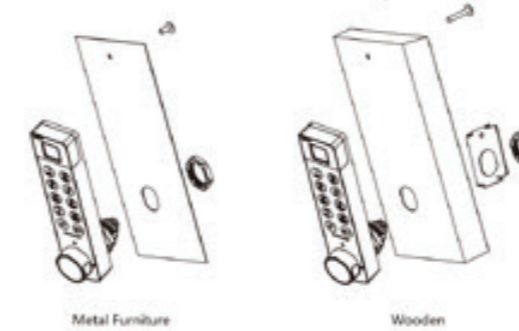
Finish: Electroplated brushed nickel, painted iron grey

Suitable thickness: 0.6-20 mm

Patent No: CN202230001428.3



Installation Step



Optional Accessories





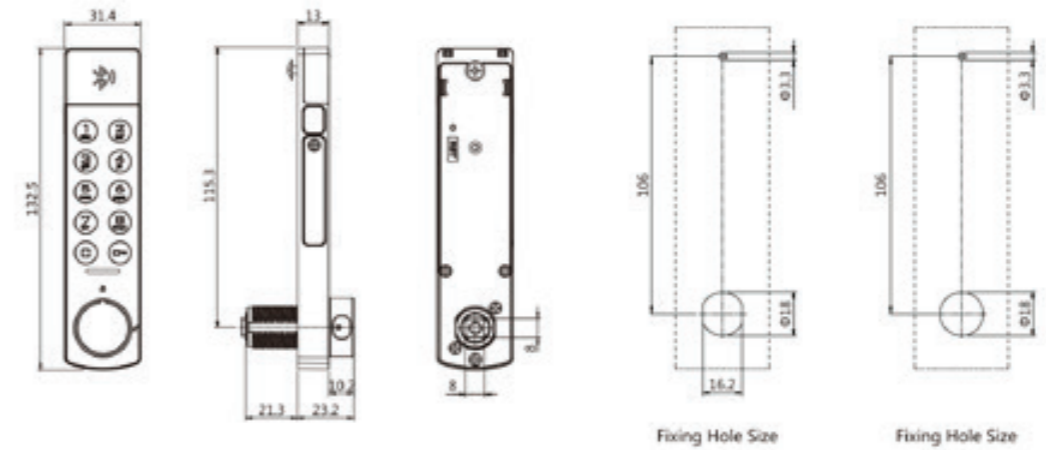
S-2010B-BTA0

Features Benefits

- Condensing the core technology using advanced microelectronic technology and algorithms
- Adopts metal thickened shell, which is more firm and reliable, and the surface treatment of strong metal texture
- 12-key touch screen panel, the password can be any combination of 4-15 digits
- Users can set and change passwords, automatically save when power off, and never lose garbled characters
- Introduced with Anti-Theft Technology and Fake PIN password function
- Powered by a button battery, long battery life, with automatic prompt function of power shortage
- Private, public mode user-defined, with occupancy prompt function
- Equipped with hidden management mechanical key
- There are many kinds of optional accessories, providing more personalized solutions for installation and use environment
- With management password and user password function
- Optional Bluetooth, mobile APP and background management functions
- Type-C interface can provide emergency power supply

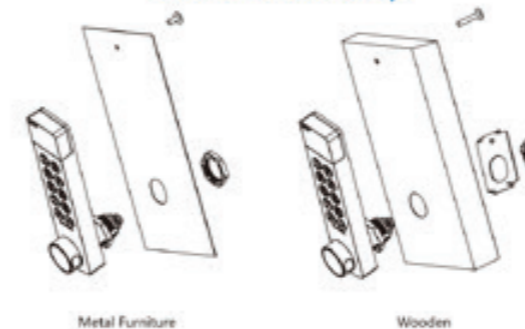


Product Size



(Model)	(Specification)A	(Rotation)	(Function)	Applicable plate
S-2010B-BTA0	Bluetooth lock	90° / 180°	/	Wooden board (16-20mm) Steel plate (0.6-2mm)

Installation Step



Optional Accessories



S-2010B-BTA0 NEW

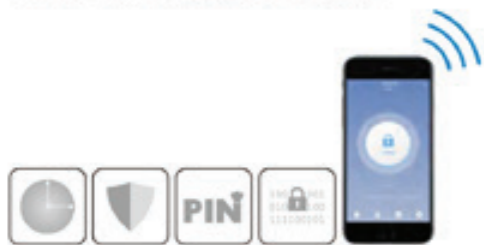
BOTH METAL AND WOODEN

Material: Zinc alloy, ABS

Finish: Electroplated brushed nickel, painted iron grey

Suitable thickness: 0.6-20 mm

Patent No: CN202230001428.3





S-2010B-00A1 NEW

BOTH METAL AND WOODEN

Material: Zinc alloy, ABS

Finish: Electroplated brushed nickel, painted iron grey

Suitable thickness: 0.6-20 mm

Patent No: CN202230001428.3



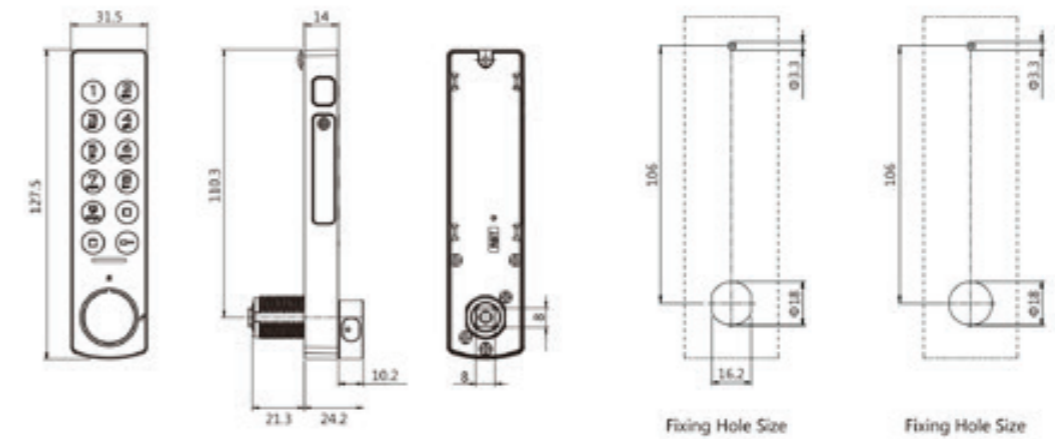
S-2010B-00A1

Features Benefits

- Condensing the core technology of using advanced microelectronic technology and algorithms
- Adopts metal thickened shell, which is more firm and reliable, and the surface treatment of strong metal texture
- 12-key touch screen panel, the password can be any combination of 4-15 digits
- Users can set and change passwords, automatically save when power off, and never lose garbled characters
- Introduced with Anti-Theft Technology and Fake PIN password function
- Powered by a button battery, long battery life, with automatic prompt function of power shortage
- Private, public mode user-defined, with occupancy prompt function
- Equipped with hidden management mechanical key
- There are many kinds of optional accessories, providing more personalized solutions for installation and use environment
- With management password and user password function
- Type-C interface can provide emergency power supply



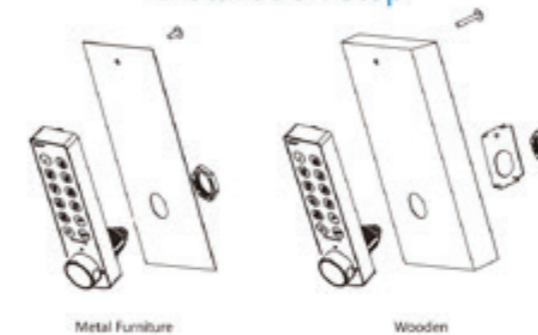
Product Size



(Model)	(Specification)A	(Rotation)	(Function)	Applicable plate
S-2010B-00A1	Electronic Password lock	90° / 180°	/	Wooden board (16-20mm) Steel plate (0.6-2mm)



Installation Step



Optional Accessories





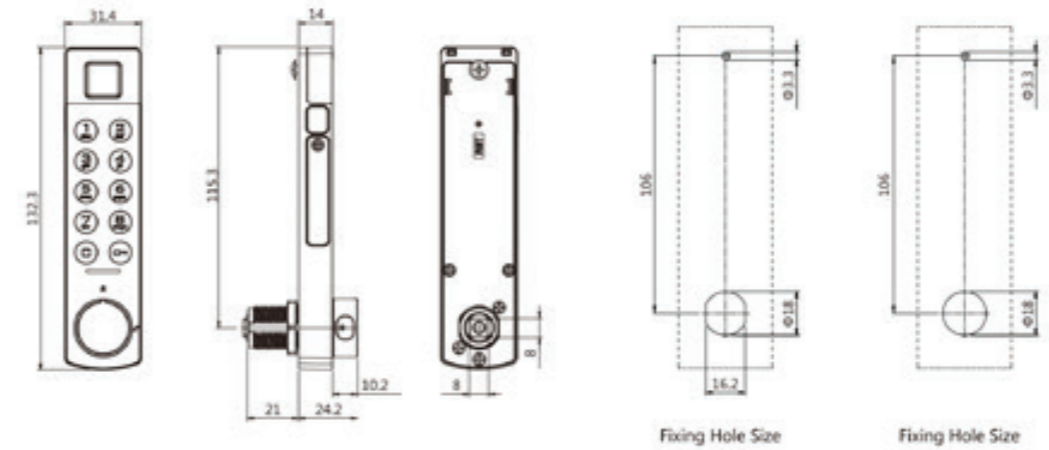
S-2010B-SFA1

Features Benefits

- Condensing the core technology using advanced microelectronic technology and algorithms
- Adopts metal thickened shell, which is more firm and reliable, and the surface treatment of strong metal texture
- Adopt international high-performance, self-learning fingerprint module 12-key touch screen panel, the password can be any combination of 4-15 digits
- Users can set and change passwords, automatically save when power off, and never lose garbled characters
- Introduced with Anti-Theft Technology and Fake PIN password function
- Powered by a button battery, long battery life, with automatic prompt function of power shortage
- Private, public mode user-defined, with occupancy prompt function
- Equipped with hidden management mechanical key
- There are many kinds of optional accessories, providing more personalized solutions for installation and use environment
- With management password and user password function
- Optional Bluetooth, mobile APP and background management functions
- Type-C interface can provide emergency power supply



Product Size



(Model)	(Specification)A	(Rotation)	(Function)	Applicable plate
S-2010B-SFA1	Finger print Bluetooth lock	90° / 180°	/	Wooden board (16-20mm) Steel plate (0.6-2mm)



S-2010B-SFA1 NEW

BOTH METAL AND WOODEN

Material: Zinc alloy, ABS

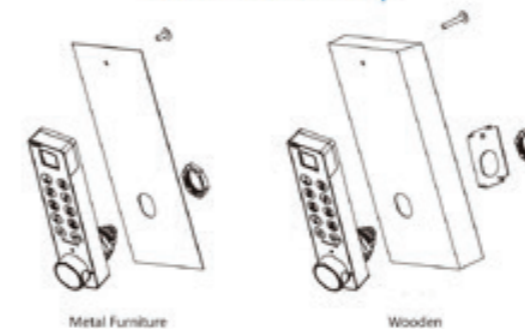
Finish: Electroplated brushed nickel, painted iron grey

Suitable thickness: 0.6-20 mm

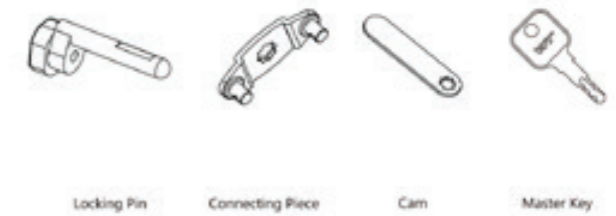
Patent No: CN202230001428.3



Installation Step



Optional Accessories





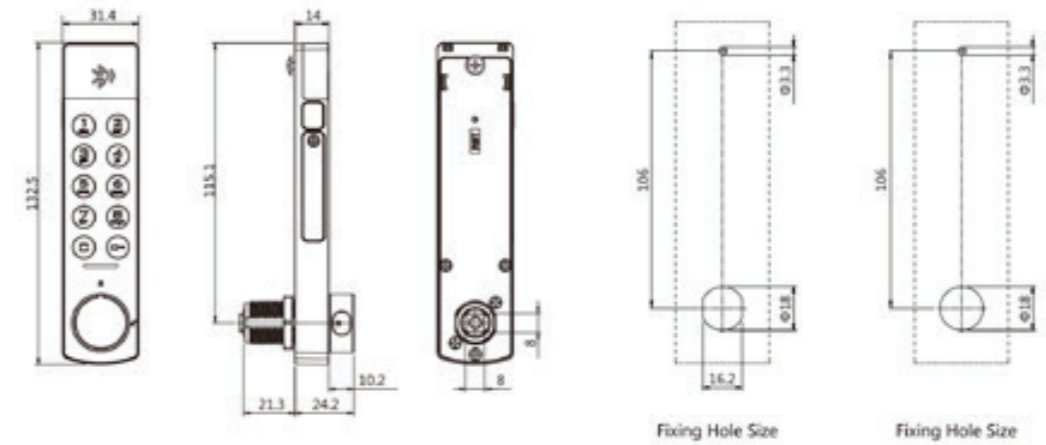
S-2010B-BTA1

Features Benefits

- Condensing the core technology using advanced microelectronic technology and algorithms
- Adopts metal thickened shell, which is more firm and reliable, and the surface treatment of strong metal texture
- 12-key touch screen panel, the password can be any combination of 4-15 digits
- Users can set and change passwords, automatically save when power off, and never lose garbled characters
- Introduced with Anti-Theft Technology and Fake PIN password function
- Powered by a button battery, long battery life, with automatic prompt function of power shortage
- Private, public mode user-defined, with occupancy prompt function
- Equipped with hidden management mechanical key
- There are many kinds of optional accessories, providing more personalized solutions for installation and use environment
- With management password and user password function
- Optional Bluetooth, mobile APP and background management functions
- Type-C interface can provide emergency power supply



Product Size



(Model)	(Specification)A	(Rotation)	(Function)	Applicable plate
S-2010B-BTA1	Bluetooth lock	90° / 180°	/	Wooden board (16-20mm) Steel plate (0.6-2mm)

Direction of rotation

S-2010B-BTA1 NEW

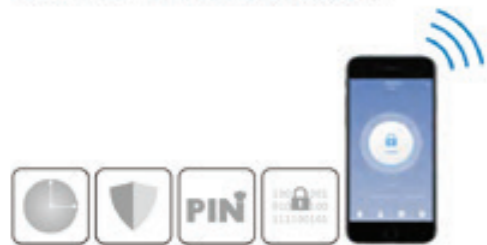
BOTH METAL AND WOODEN

Material: Zinc alloy, ABS

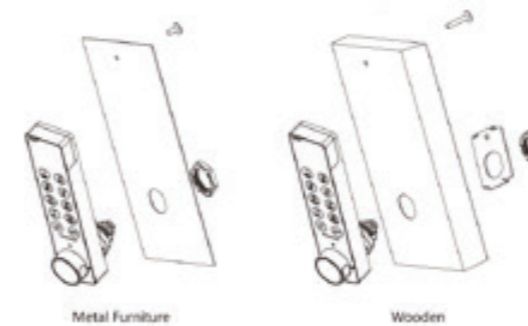
Finish: Electroplated brushed nickel, painted iron grey

Suitable thickness: 0.6-20 mm

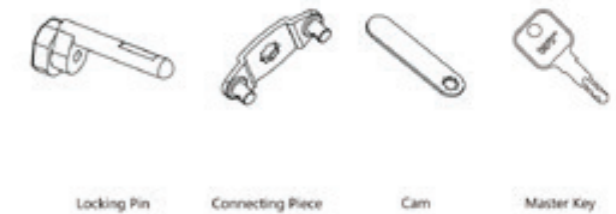
Patent No: CN202230001428.3



Installation Step



Optional Accessories





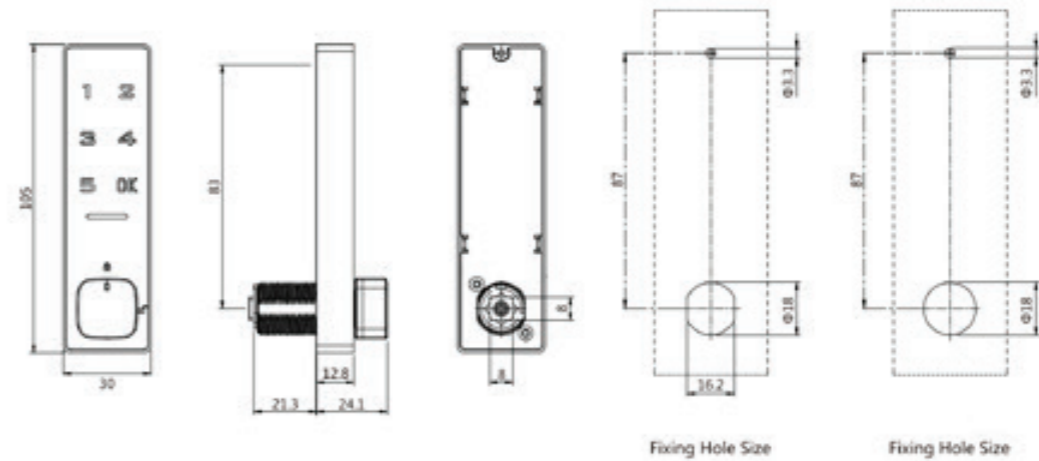
S-2011-00A0

Features Benefits

- Condensing the core technology using advanced microelectronic technology and algorithms
- 6-key touch screen panel, the password can be any combination of 4-15 digits
- Users can set and change passwords, automatically save when power off, and never lose garbled characters
- Introduced with Anti-Theft Technology and Fake PIN password function
- Powered by a button battery, long battery life, with automatic prompt function of power shortage
- Private, public mode user-defined, with occupancy prompt function
- There are many kinds of optional accessories, providing more personalized solutions for installation and use environment
- With management password and user password function
- Optional Bluetooth, mobile APP and background management functions
- Type-C interface can provide emergency power supply

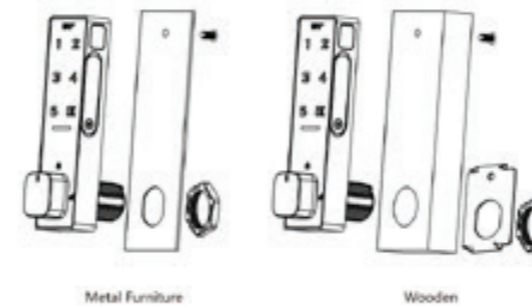


Product Size



(Model)	(Specification)A	(Rotation)	(Function)	Applicable plate
S-2011-00A0	Electronic Password lock	/	/	Wooden board (16-20mm) Steel plate (0.6-2mm)

Installation Step



Optional Accessories



S-2011-00A0 NEW

BOTH METAL AND WOODEN

Material: Zinc alloy, ABS

Finish: Electroplated brushed nickel, painted iron grey

Suitable thickness: 0.6-20 mm

Patent No: CN202130570904.9

Color can be customized:





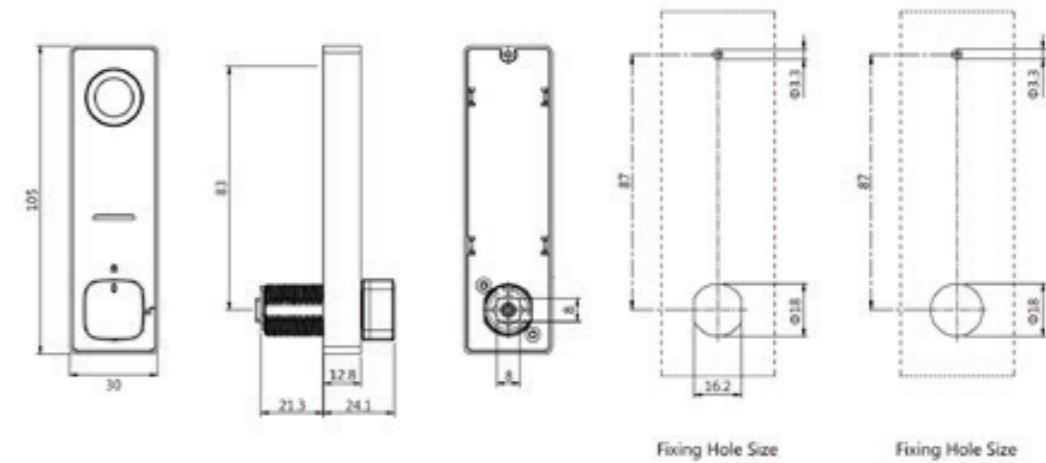
S-2011-00SF

Features Benefits

- Condensing the core technology using advanced microelectronic technology and algorithms
- Adopt international high-performance, self-learning fingerprint module
- Users can set and change fingerprint, automatically save when power off, and never lose garbled characters
- Powered by a button battery, long battery life, with automatic prompt function of power shortage
- There are many kinds of optional accessories, providing more personalized solutions for installation and use environment
- Optional Bluetooth, mobile APP and background management functions
- Type-C interface can provide emergency power supply



Product Size



(Model)	(Specification)A	(Rotation)	(Function)	Applicable plate
S-2011-00SF	Fingerprint Bluetooth lock	/	/	Wooden board (16-20mm) Steel plate (0.6-2mm)

Direction of rotation

S-2011-00SF NEW

BOTH METAL AND WOODEN

Material: Zinc alloy, ABS

Finish: Electroplated brushed nickel, painted iron grey

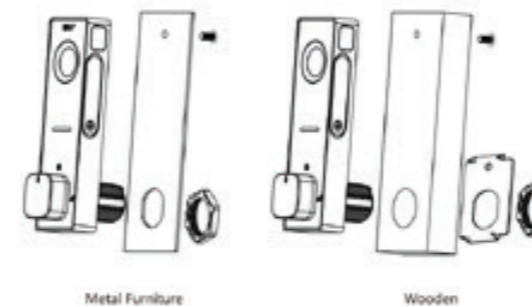
Suitable thickness: 0.6-20 mm

Patent No: CN202130570904.9

Color can be customized:



Installation Step



Optional Accessories





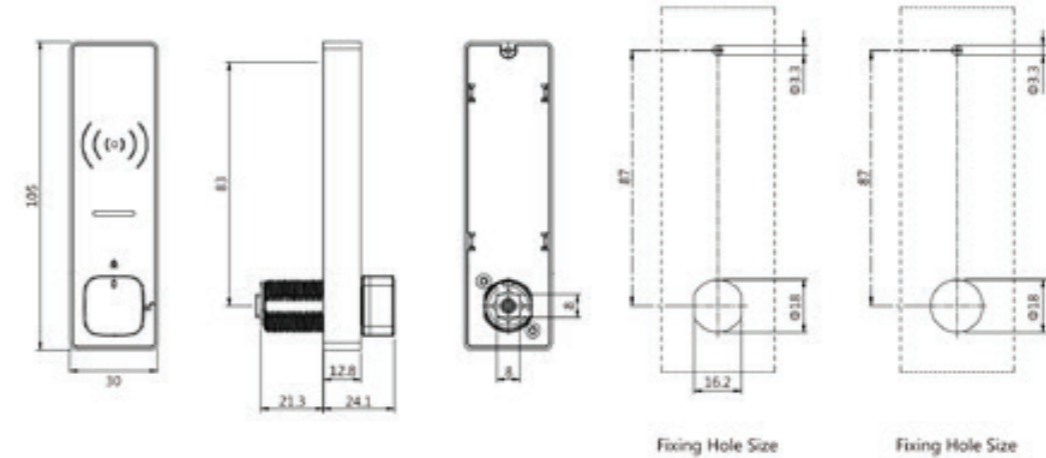
S-2011-001C

Features Benefits

- Condensing the core technology using advanced microelectronic technology and algorithms
- With RFID function, optional management card, main card, service card, user card
- User set and change card, automatically save when power off
- Powered by a button battery, long battery life, with automatic prompt function of power shortage
- Private, public mode user-defined, with occupancy prompt function
- There are many kinds of optional accessories, providing more personalized solutions for installation and use environment
- Optional Bluetooth, mobile APP and background management functions
- Type-C interface can provide emergency power supply



Product Size



(Model)	(Specification)A	(Rotation)	(Function)	Applicable plate
S-2011-001C	Swipe the card lock	/	/	Wooden board(16-20mm) Steel plate(0.6-2mm)

Direction of rotation

S-2011-001C NEW

BOTH METAL AND WOODEN

Material: Zinc alloy, ABS

Finish: Electroplated brushed nickel, painted iron grey

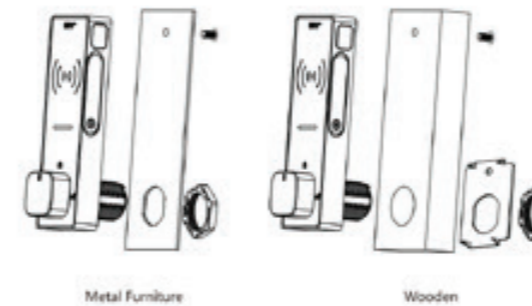
Suitable thickness: 0.6-20 mm

Patent No: CN202130570904.9

Color can be customized:



Installation Step



Optional Accessories





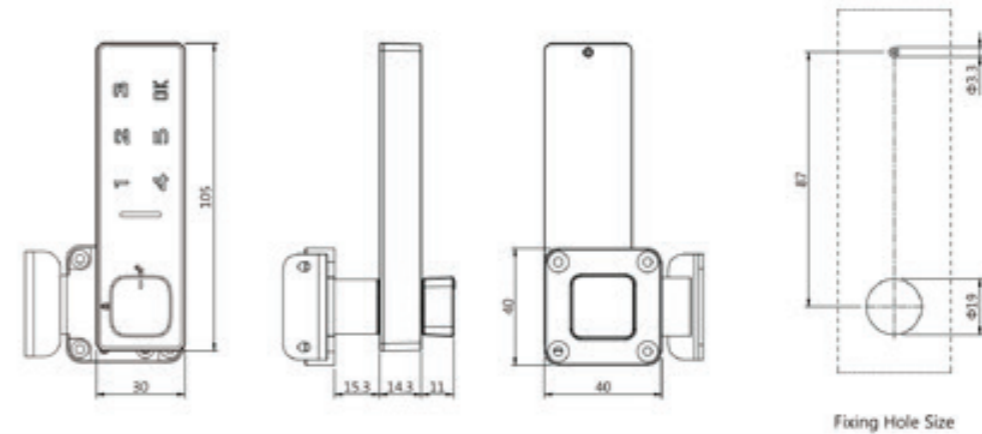
S-2011-01A0

Features Benefits

- Condensing the core technology using advanced microelectronic technology and algorithms
- 6-key touch screen panel, the password can be any combination of 4-15 digits
- Users can set and change passwords, automatically save when power off, and never lose garbled characters
- Introduced with Anti-Theft Technology and Fake PIN password function
- Powered by a button battery, long battery life, with automatic prompt function of power shortage
- Private, public mode user-defined, with occupancy prompt function
- There are many kinds of optional accessories, providing more personalized solutions for installation and use environment
- With management password and user password function
- Optional Bluetooth, mobile APP and background management functions
- Type-C interface can provide emergency power supply

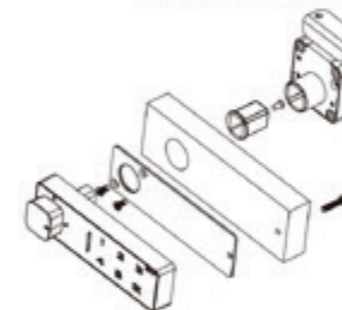


Product Size



(Model)	(Specification)A	(Rotation)	(Function)	Applicable plate
S-2011-01A0	Electronic Password lock	/	/	Wooden board (16-20mm) Steel plate (0.6-2mm)

Installation Step



S-2011-01A0 NEW

BOTH METAL AND WOODEN

Material: Zinc alloy, ABS

Finish: Electroplated brushed nickel, painted iron grey

Suitable thickness: 0.6-20 mm

Patent No: CN202130570904.9



Color can be customized:





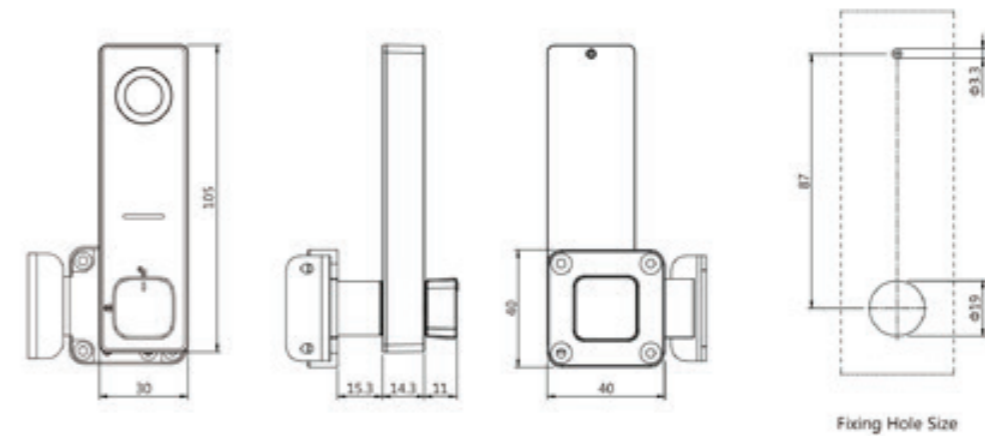
S-2011-01SF

Features Benefits

- Adopt international high-performance, self-learning fingerprint module
- User set and change fingerprint, automatically save when power off
- 1 piece button cell, automatic power shortage prompts
- Various accessories can be provided, Can be applied to a variety of applications
- Optional Bluetooth, mobile APP and background management functions
- Type-C interface can provide emergency power supply and emergency decoding



Product Size



(Model)	(Specification)A	(Rotation)	(Function)	Applicable plate
S-2011-01SF	Fingerprint Bluetooth lock	/	/	Wooden board (16-20mm) Steel plate (0.6-2mm)



S-2011-01SF NEW

BOTH METAL AND WOODEN

Material: Zinc alloy, ABS

Finish: Electroplated brushed nickel, painted iron grey

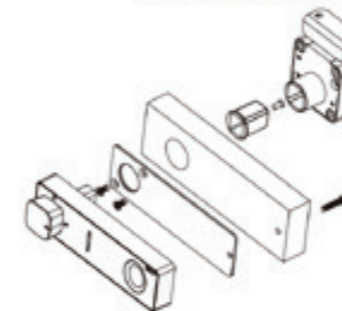
Suitable thickness: 0.6-20 mm

Patent No: CN202130570904.9



Color can be customized:

Installation Step





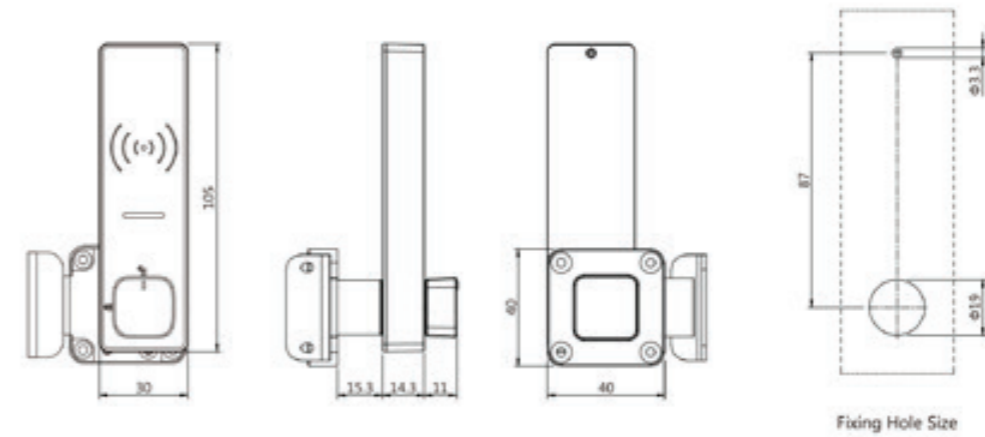
S-2011-01IC

Features Benefits

- With RFID function, optional management card, general card, waiter card, user card
- User set and change card, automatically save when power off
- 1 piece button cell, automatic power shortage prompts
- Switch between public and private mode freely, with prompt function when lock been occupied
- Various accessories can be provided, Can be applied to a variety of applications
- Optional Bluetooth, mobile APP and background management functions
- Type-C interface can provide emergency power supply and emergency decoding

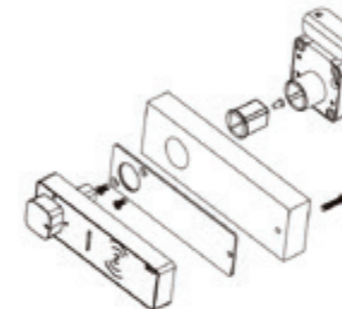


Product Size



(Model)	(Specification)A	(Rotation)	(Function)	Applicable plate
S-2011-01IC	Swipe the card lock	/	/	Wooden board (16-20mm) Steel plate (0.6-2mm)

Installation Step



S-2011-01IC

BOTH METAL AND WOODEN

NEW

Material: Zinc alloy, ABS

Finish: Electroplated brushed nickel, painted iron grey

Suitable thickness: 0.6-20 mm

Patent No: CN202130570904.9



Color can be customized:





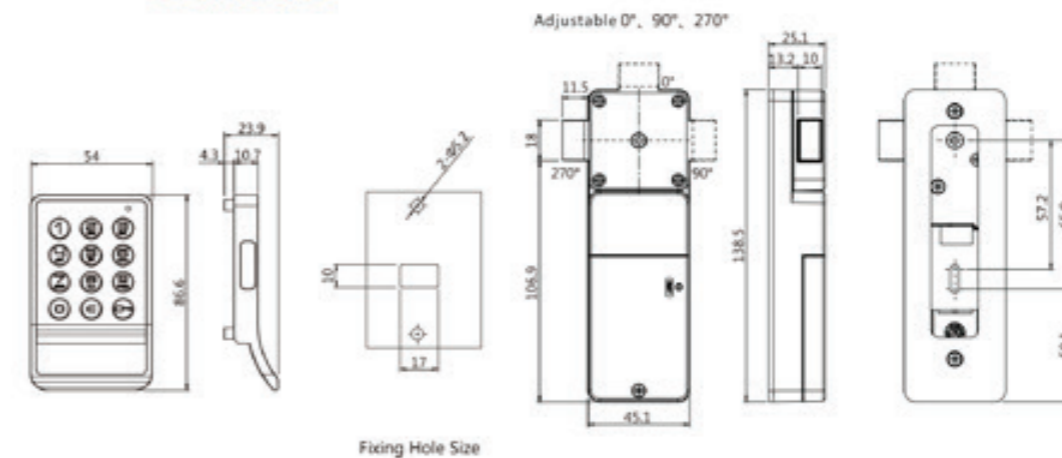
S-2020B-00A0

Features Benefits

- Split type, with fully automatic lock body, can be equipped with a variety of control panels, the lock tongue can be adjusted in three directions when the user installs
- 12-key touch screen panel, the password can be any combination of 4-15 digits
- Users can set and change passwords, automatically save when power off, and never lose garbled characters
- Introduced with Anti-Theft Technology and Fake PIN password function
- Switch between public and private mode freely, with prompt function when lock been occupied
- 2 pieces AA batteries, automatic power shortage prompts
- With the functions of management password and user password
- Type-C interface can provide emergency power supply and emergency decoding

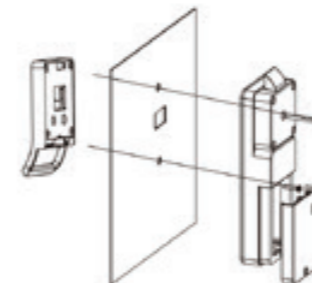


Product Size



(Model)	(Specification)A	(Rotation)	(Function)	Applicable plate
S-2020B-00A0	Electronic Password lock	/	/	Wooden board (16-20mm) Steel plate (0.6-2mm)

Installation Step



S-2020B-00A0 NEW

BOTH METAL AND WOODEN

Material: Zinc alloy, ABS

Finish: Electroplated brushed nickel, painted iron grey

Suitable thickness: 0.6-20 mm

Patent No: CN202230024802.1





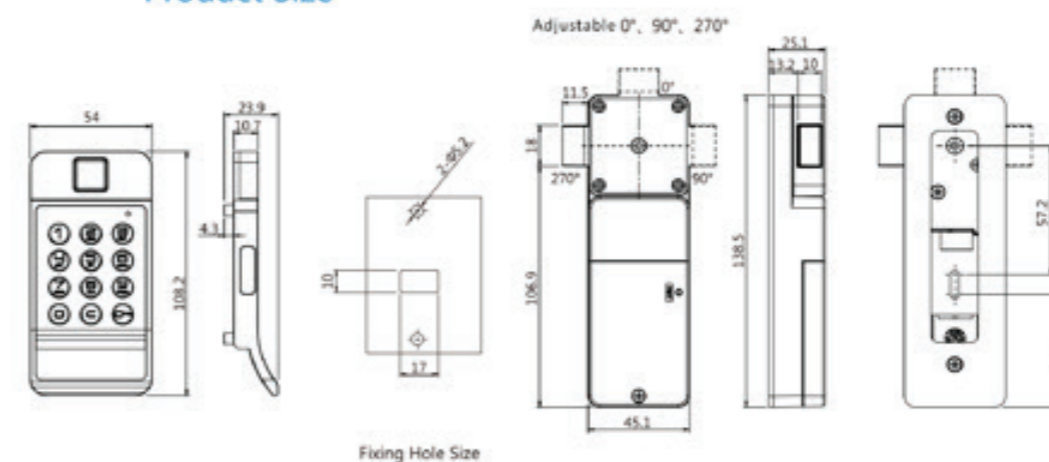
S-2020B-AOSF



Features Benefits

- Adopt international high-performance, self-learning fingerprint module
- Split type, with fully automatic lock body, can be equipped with a variety of control panels, the lock tongue can be adjusted in three directions when the user installs
- 12-digits password or fingerprint unlocking method
- Users can set and change passwords, automatically save when power off, and never lose garbled characters
- Introduced with Anti-Theft Technology and Fake PIN password function
- 2 pieces AA batteries, automatic power shortage prompts
- Switch between public and private mode freely, with prompt function when lock been occupied
- With the functions of management password and user password
- Type-C interface can provide emergency power supply and emergency decoding

Product Size



(Model)	(Specification)A	(Rotation)	(Function)	Applicable plate
S-2020B-AOSF	Electronic Password lock	/	/	Wooden board (16-20mm) Steel plate (0.6-2mm)

S-2020B-AOSF NEW

BOTH METAL AND WOODEN

Material: Zinc alloy, ABS

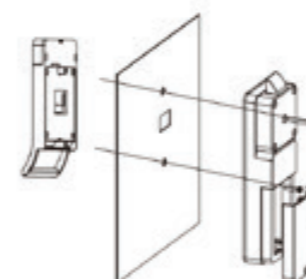
Finish: Electroplated brushed nickel, painted iron grey

Suitable thickness: 0.6-20 mm

Patent No: CN202230024802.1



Installation Step





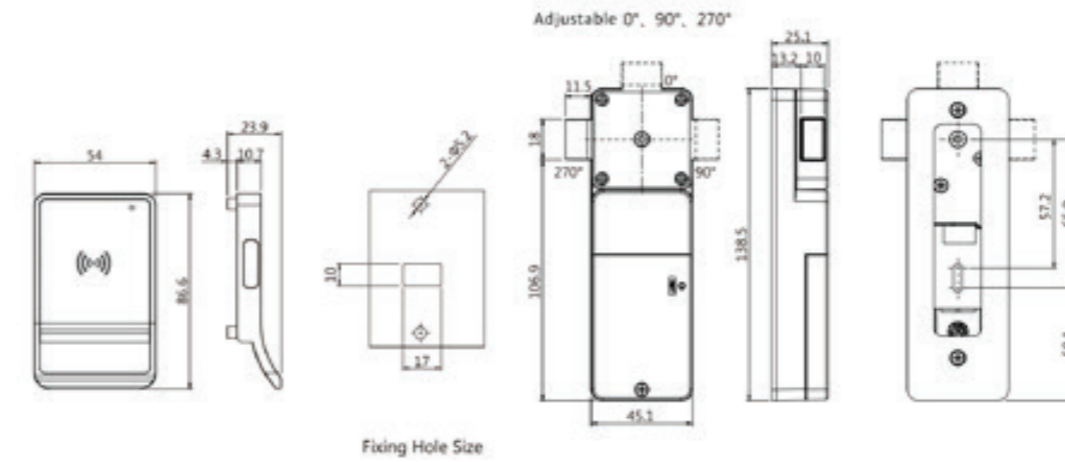
S-2020B-001C

Features Benefits

- Split type, with fully automatic lock body, can be equipped with a variety of control panels, the lock tongue can be adjusted in three directions when the user installs
- With RFID function, optional management card, general card, waiter card, user card
- User set and change card, automatically save when power off
- 2 pieces AA batteries, automatic power shortage prompts
- Switch between public and private mode freely, with prompt function when lock been occupied
- Type-C interface can provide emergency power supply and emergency decoding



Product Size



S-2020B-001C NEW

BOTH METAL AND WOODEN

Material: Zinc alloy, ABS

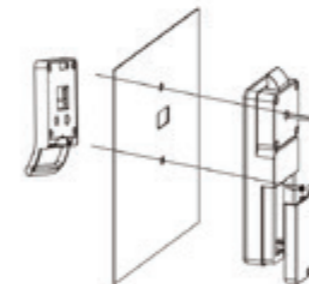
Finish: Electroplated brushed nickel, painted iron grey

Suitable thickness: 0.6-20 mm

Patent No: CN202230024802.1



Installation Step





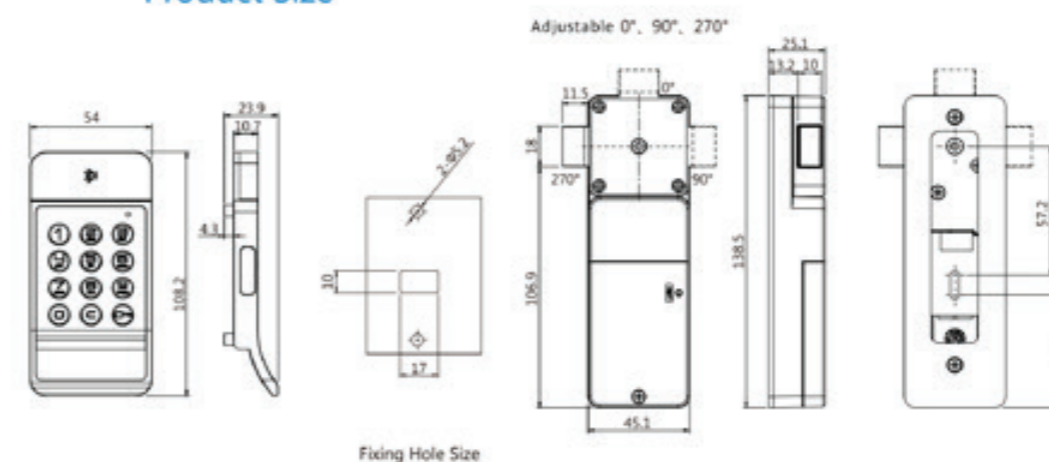
S-2020B-BTAC

Features Benefits

- Split type, with fully automatic lock body, can be equipped with a variety of control panels, the lock tongue can be adjusted in three directions when the user installs
- 12-digits password or Bluetooth unlocking method
- Users can set and change passwords, automatically save when power off and never lose garbled characters
- Introduced with Anti-Theft Technology and Fake PIN password function
- 2 pieces AA batteries, automatic power shortage prompts
- Switch between public and private mode freely, with prompt function when lock been occupied
- With the functions of management password and user password
- Optional Bluetooth, mobile APP and background management functions
- Type-C interface can provide emergency power supply and emergency decoding



Product Size



Fixing Hole Size

(Model)	(Specification)A	(Rotation)	(Function)	Applicable plate
S-2020B-BTA0	Electronic Password lock	/	/	Wooden board (16-20mm) Steel plate (0.6-2mm)

S-2020B-BTAC NEW

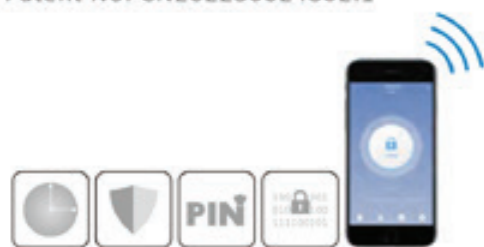
BOTH METAL AND WOODEN

Material: Zinc alloy, ABS

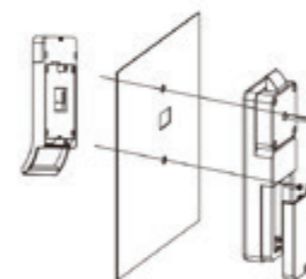
Finish: Electroplated brushed nickel, painted iron grey

Suitable thickness: 0.6-20 mm

Patent No: CN202230024802.1



Installation Step





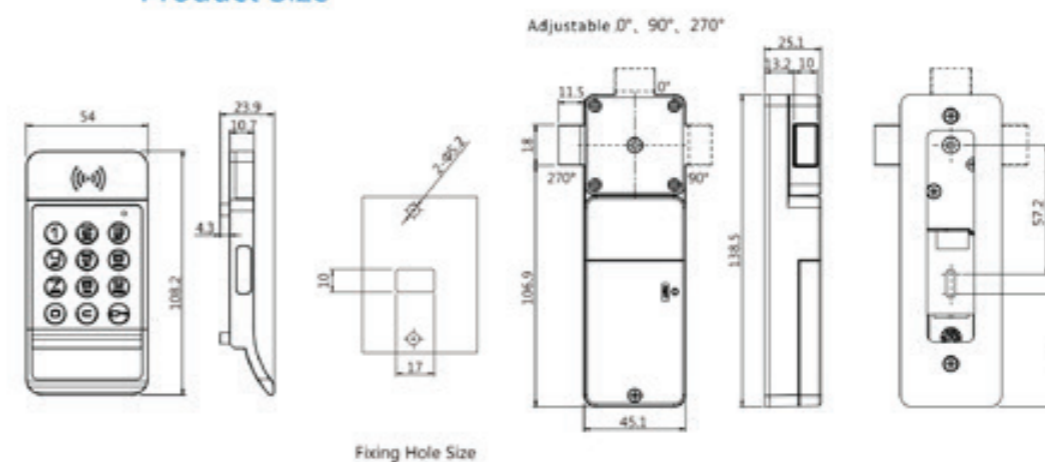
S-2020B-A01C

Features Benefits

- Split type, with fully automatic lock body, can be equipped with a variety of control panels, the lock tongue can be adjusted in three directions when the user installs
- 12-key touch panel
- With RFID function, optional management card, general card, waiter card, user card
- User set and change password and card, automatically save when power off and never lose garbled characters
- Introduced with Anti-Theft Technology and Fake PIN password function
- 2 pieces AA batteries, automatic power shortage prompts
- Switch between public and private mode freely, with prompt function when lock been occupied
- With the functions of management password and user password
- Type-C interface can provide emergency power supply and emergency decoding



Product Size



(Model)	(Specification)A	(Rotation)	(Function)	Applicable plate
S-2020B-A01C	Electronic Password lock	/	/	Wooden board (16-20mm) Steel plate (0.6-2mm)

S-2020B-A01C NEW

BOTH METAL AND WOODEN

Material: Zinc alloy, ABS

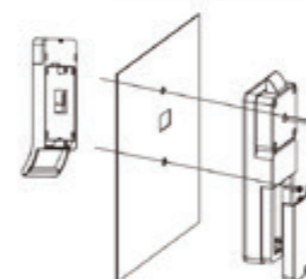
Finish: Electroplated brushed nickel, painted iron grey

Suitable thickness: 0.6-20 mm

Patent No: CN202230024802.1



Installation Step



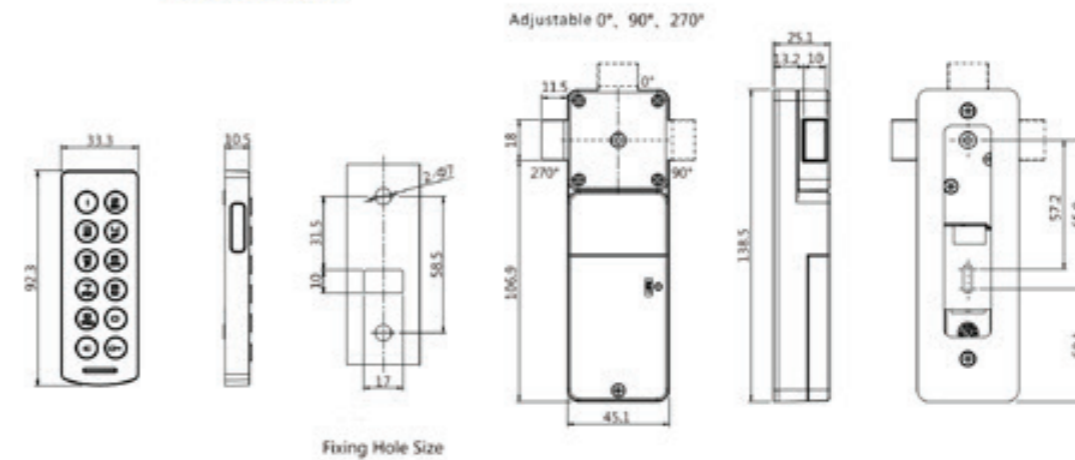


S-2021B-00A0

Features Benefits

- Split type, with fully automatic lock body, can be equipped with a variety of control panels, the lock tongue can be adjusted in three directions when the user installs
- 12-digits panel, the password can be any combination of 4-15 digits
- Users can set and change password, automatically save when power off, and never lose garbled characters
- Introduced with Anti-Theft Technology and Fake PIN password function
- 2 pieces AA batteries, automatic power shortage prompts
- Switch between public and private mode freely, with prompt function when lock been occupied
- With the functions of management password and user password
- Type-C interface can provide emergency power supply and emergency decoding

Product Size



(Model)	(Specification)A	(Rotation)	(Function)	Applicable plate
S-2021B-00A0	Electronic Password lock	/	/	Wooden board (16-20mm) Steel plate (0.6-2mm)

S-2021B-00A0 NEW

BOTH METAL AND WOODEN

Material: Zinc alloy, ABS

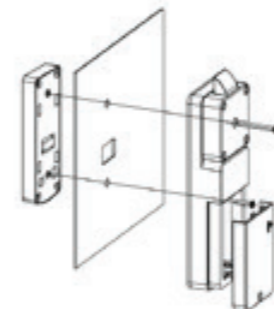
Finish: Electroplated brushed nickel, painted iron grey

Suitable thickness: 0.6-20 mm

Patent No: CN202230024802.1



Installation Step





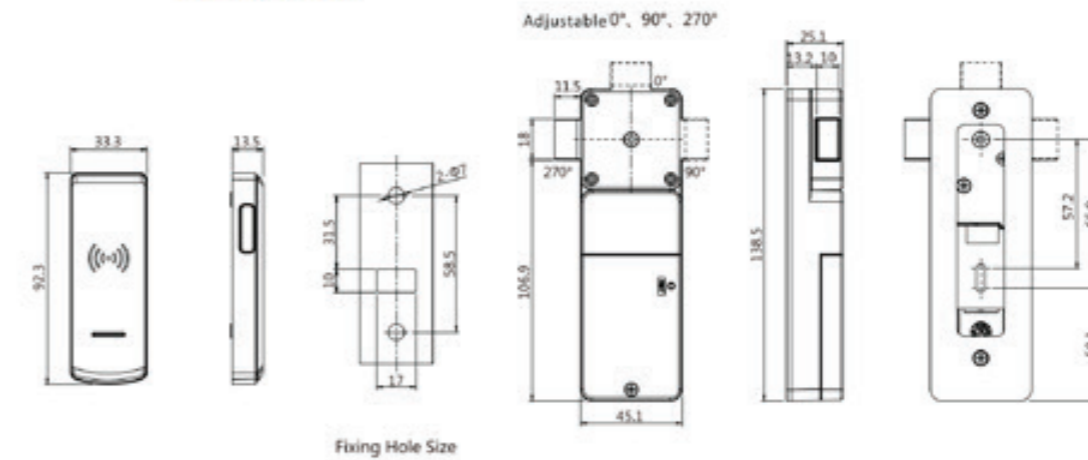
S-2021B-001C



Features Benefits

- Split type, with fully automatic lock body, can be equipped with a variety of control panels, the lock tongue can be adjusted in three directions when the user installs
- With RFID function, optional management card, general card, waiter card, user card
- User set and change card, automatically save when power off
- 2 pieces AA batteries, automatic power shortage prompts
- Switch between public and private mode freely, with prompt function when lock been occupied
- Type-C interface can provide emergency power supply and emergency decoding

Product Size



(Model)	(Specification)A	(Rotation)	(Function)	Applicable plate
S-2021B-001C	Swipe the card lock	/	/	Wooden board (16-20mm) Steel plate (0.6-2mm)

S-2021B-001C NEW

BOTH METAL AND WOODEN

Material: Zinc alloy, ABS

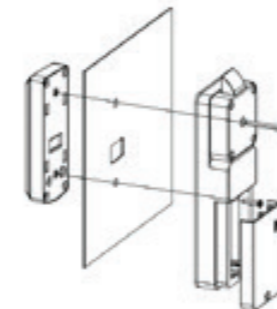
Finish: Electroplated brushed nickel, painted iron grey

Suitable thickness: 0.6-20 mm

Patent No: CN202230024631.2



Installation Step





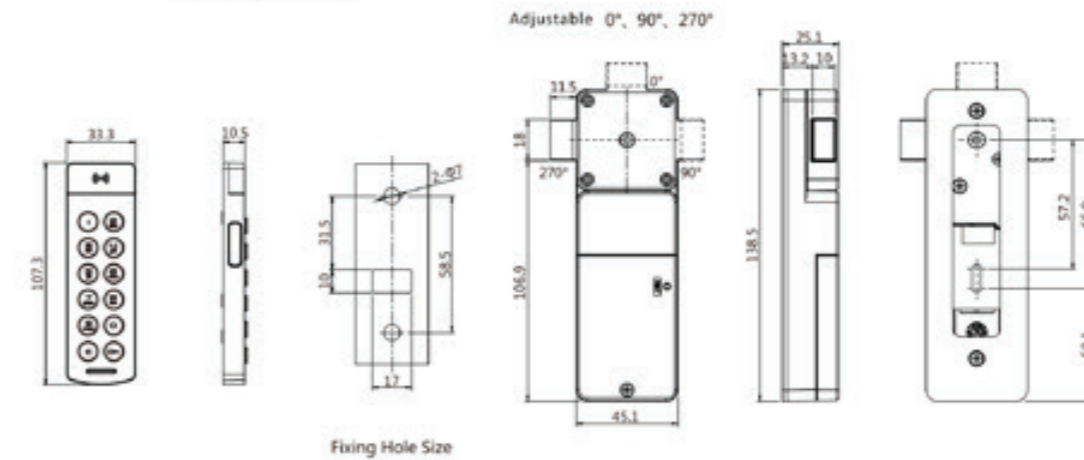
S-2021B-A0IC

Features Benefits

- Split type, with fully automatic lock body, can be equipped with a variety of control panels, the lock tongue can be adjusted in three directions when the user installs
- 12-digits panel
- With RFID function, optional management card, general card, waiter card, user card
- User set and change password and card, automatically save when power off and never lose garbled characters
- Introduced with Anti-Theft Technology and Fake PIN password function
- 2 pieces AA batteries, automatic power shortage prompts
- Switch between public and private mode freely, with prompt function when lock been occupied
- With the functions of management password and user password
- Type-C interface can provide emergency power supply and emergency decoding



Product Size



(Model)	(Specification)A	(Rotation)	(Function)	Applicable plate
S-2021B-A0IC	Electronic Password lock	/	/	Wooden board (16-20mm) Steel plate (0.6-2mm)

S-2021B-A0IC NEW

BOTH METAL AND WOODEN

Material: Zinc alloy, ABS

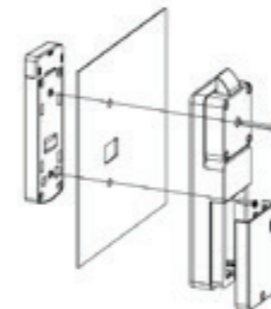
Finish: Electroplated brushed nickel, painted iron grey

Suitable thickness: 0.6-20 mm

Patent No: CN202230024631.2



Installation Step





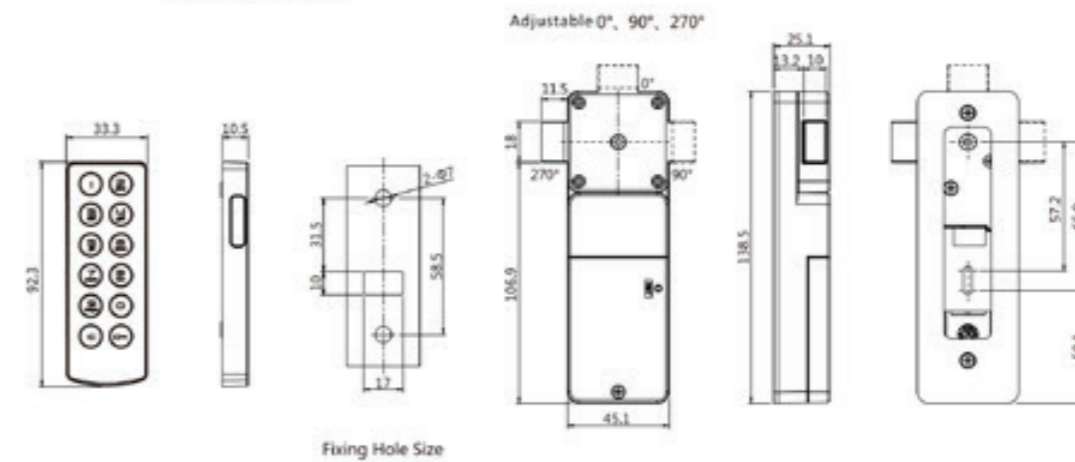
S-2021B-00A1

Features Benefits

- Split-type, with fully automatic lock body, can be equipped with a variety of control panels, the lock tongue can be adjusted in three directions when the user installs
- 12-key touch screen panel, the password can be any combination of 4-15 digits
- Users can set and change passwords, automatically save when power off, and never lose garbled characters
- Introduced with Anti-Theft Technology and Fake PIN password function
- 2 pieces AA batteries, automatic power shortage prompts
- Switch between public and private mode freely, with prompt function when lock been occupied
- With the functions of management password and user password
- Type-C interface can provide emergency power supply and emergency decoding



Product Size



Fixing Hole Size

(Model)	(Specification)A	(Rotation)	(Function)	Applicable plate
S-2021B-00A1	Electronic Password lock	/	/	Wooden board (16-20mm) Steel plate (0.6-2mm)

S-2021B-00A1 NEW

BOTH METAL AND WOODEN

Material: Zinc alloy, ABS

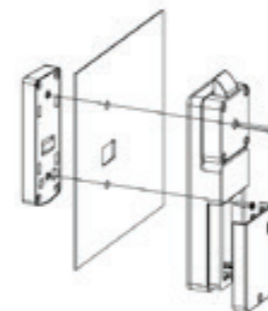
Finish: Electroplated brushed nickel, painted iron grey

Suitable thickness: 0.6-20 mm

Patent No: CN202230024631.2



Installation Step



S-2021B-A1IC

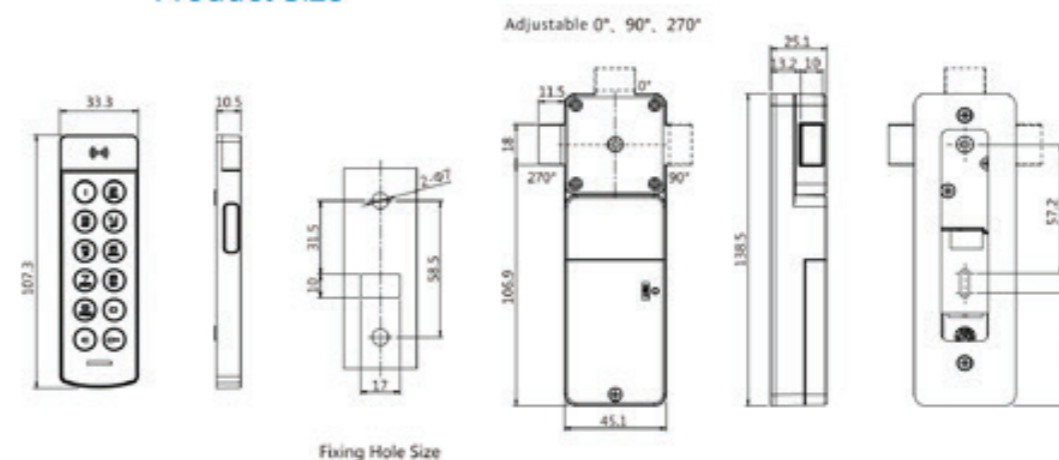


Features Benefits

- Split type, with fully automatic lock body, can be equipped with a variety of control panels, the lock tongue can be adjusted in three directions when the user installs
- 12-key touch screen panel, the password can be any combination of 4-15 digits
- With RFID function, optional management card, general card, waiter card, user card
- Users can set and change passwords, automatically save when power off, an never lose garbled characters
- Introduced with Anti-Theft Technology and Fake PIN password function
- 2 pieces AA batteries, automatic power shortage prompts
- Switch between public and private mode freely, with prompt function when lock been occupied
- With the functions of management password and user password
- Optional Bluetooth, mobile APP and background management functions
- Type-C interface can provide emergency power supply and emergency decoding



Product Size



(Model)	(Specification)A	(Rotation)	(Function)	Applicable plate
S-2021B-A1IC	Electronic Password lock	/	/	Wooden board (16-20mm) Steel plate (0.6-2mm)

S-2021B-A1IC NEW

BOTH METAL AND WOODEN

Material: Zinc alloy, ABS

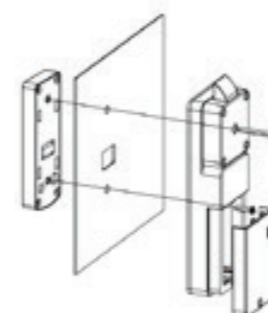
Finish: Electroplated brushed nickel, painted iron grey

Suitable thickness: 0.6-20 mm

Patent No: CN202230024631.2



Installation Step





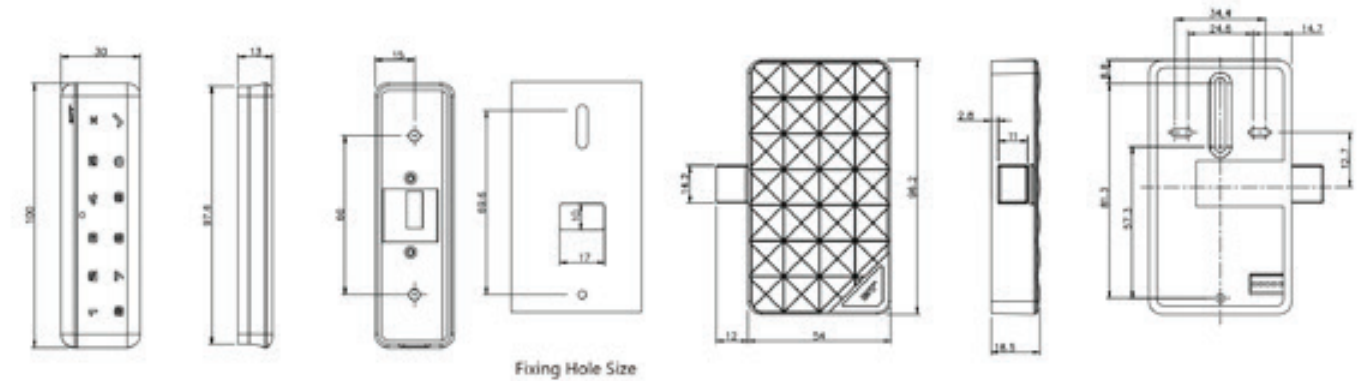
S-2022-00A0

Features Benefits

- Split type, with fully automatic lock body, can be equipped with a variety of control panels, the lock tongue can be adjusted in three directions when the user installs
- 12-key touch screen panel, the password can be any combination of 4-15 digits
- With the functions of management password and user password, users can set and change password, automatically save when power off, and never lose garbled characters
- Introduced with Anti-Theft Technology and Fake PIN password function
- 3 pieces AAA batteries, automatic power shortage prompts
- Switch between public and private mode freely, with prompt function when lock been occupied
- Type-C interface can provide emergency power supply and emergency decoding



Product Size



(Model)	(Specification)A	(Rotation)	(Function)	Applicable plate
S-2022-00A0	Electronic Password lock	/	/	Wooden board (16-20mm) Steel plate (0.6-2mm)

S-2022-00A0 NEW

BOTH METAL AND WOODEN

Material: Zinc alloy, ABS

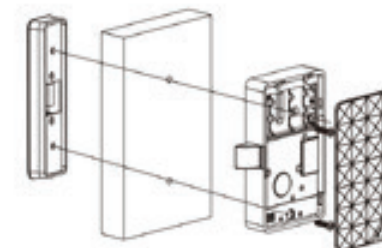
Finish: Electroplated brushed nickel, painted iron grey

Suitable thickness: 0.6-20 mm

Patent No: CN202230001344.X



Installation Step



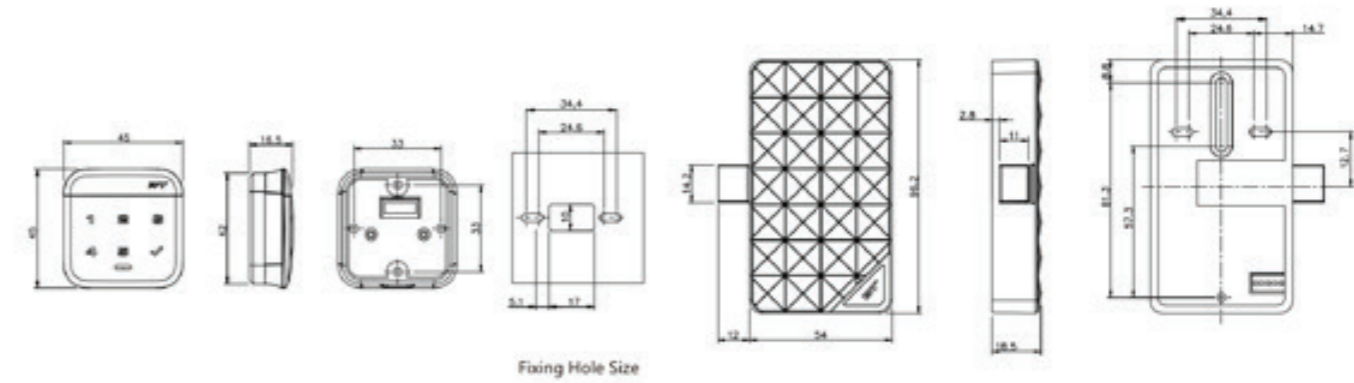
S-2022-00A1



Features Benefits

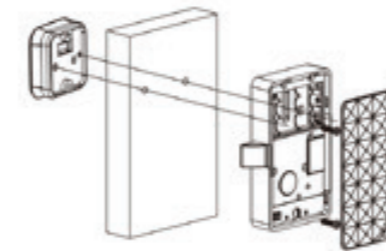
- Split type, with fully automatic lock body, can be equipped with a variety of control panels, the lock tongue can be adjusted in three directions when the user installs
- 6-key touch screen panel, the password can be any combination of 4-15 digits
- With the functions of management password and user password, users can set and change password, automatically save when power off, and never lose garbled characters
- Introduced with Anti-Theft Technology and Fake PIN password function
- 3 pieces AAA batteries, automatic power shortage prompts
- Switch between public and private mode freely, with prompt function when lock been occupied
- Type-C interface can provide emergency power supply and emergency decoding

Product Size



(Model)	(Specification)A	(Rotation)	(Function)	Applicable plate
S-2022-00A1	Electronic Password lock	/	/	Wooden board (16-25mm) Steel plate (0.6-2mm)

Installation Step



S-2022-00A1 NEW

BOTH METAL AND WOODEN

Material: ABS, PC

Finish: Black, milk white

Suitable thickness: 0.6-25 mm

Patent No: CN202230001344.X





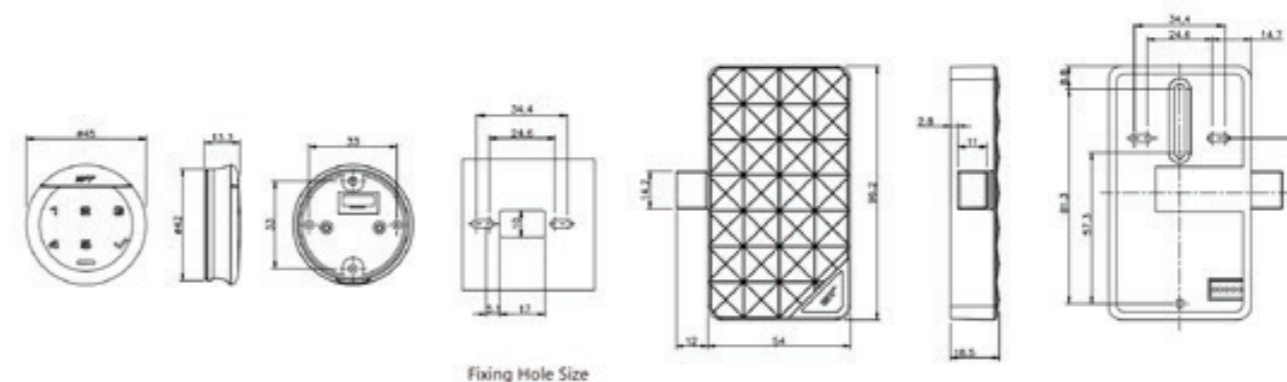
S-2022-00A2

Features Benefits

- Split type, with fully automatic lock body, can be equipped with a variety of control panels, the lock tongue can be adjusted in three directions when the user installs
- 6-key touch screen panel, the password can be any combination of 4-15 digits
- With the functions of management password and user password, users can set and change passwords, automatically save when power off, and never lose garbled characters
- Introduced with Anti-Theft Technology and Fake PIN password function
- 3 pieces AAA batteries, automatic power shortage prompts
- Switch between public and private mode freely, with prompt function when lock been occupied
- Type-C interface can provide emergency power supply and emergency decoding



Product Size



S-2022-00A2 NEW

BOTH METAL AND WOODEN

Material: ABS, PC

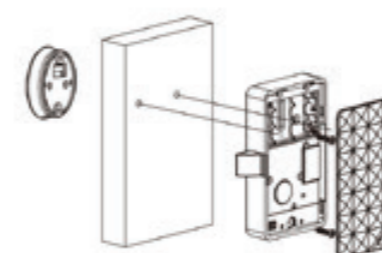
Finish: Black, milk white

Suitable thickness: 0.6-25 mm

Patent No: CN202230001344.X



Installation Step



(Model)	(Specification)A	(Rotation)	(Function)	Applicable plate
S-2022-00A1	Electronic Password lock	/	/	Wooden board (16-25mm) Steel plate (0.6-2mm)



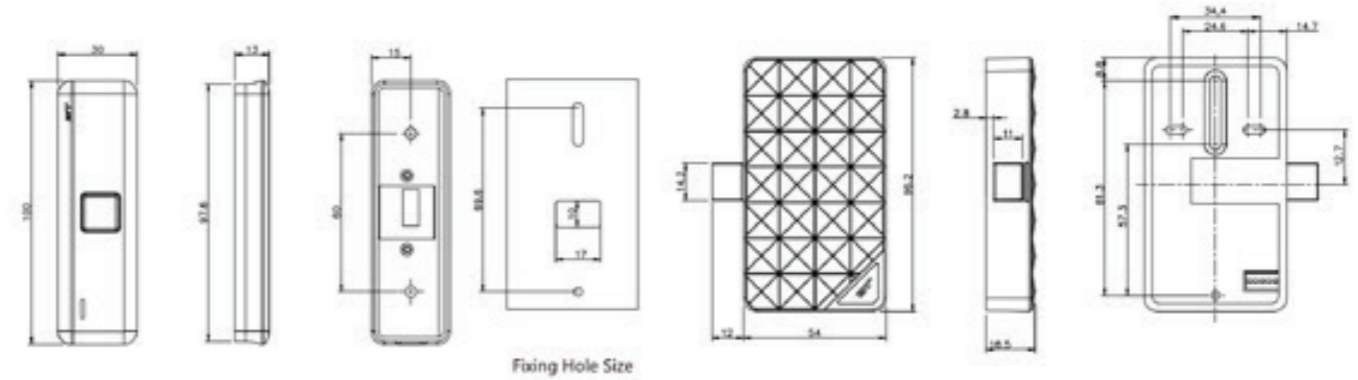
S-2022-SFA0

Features Benefits

- Adopt international high-performance, self-learning fingerprint module
- User set and change fingerprint, automatically save when power off
- Auto-alarm will be activated when input wrong fingerprint 4 times
- Various accessories can be provided. Can be applied to a variety of applications
- 3 pieces AAA batteries, automatic power shortage prompts
- Type-C interface can provide emergency power supply and emergency decoding
- Optional Bluetooth, mobile APP and background management functions



Product Size



S-2022-SFA0 NEW

BOTH METAL AND WOODEN

Material: ABS, PC

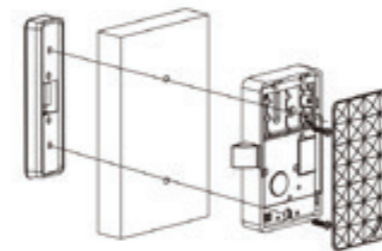
Finish: Black, milk white

Suitable thickness: 0.6-25 mm

Patent No: CN202230001344.X



Installation Step



(Model)	(Specification)A	(Rotation)	(Function)	Applicable plate
S-2022-SFA0	Finger print lock	/	/	Wooden board (16-25mm) Steel plate (0.6-2mm)



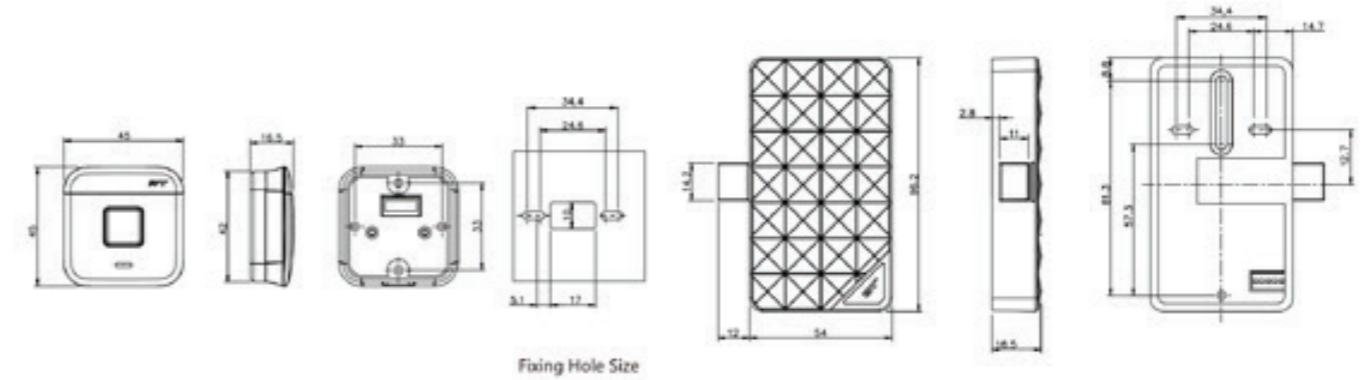
S-2022-SFA1

Features Benefits

- Adopt international high-performance, self-learning fingerprint module
- User set and change fingerprint, automatically save when power off
- Auto-alarm will be activated when input wrong fingerprint 4 times
- Various accessories can be provided, Can be applied to a variety of applications
- 3 pieces AAA batteries, automatic power shortage prompts
- Type-C interface can provide emergency power supply and emergency decoding
- Optional Bluetooth, mobile APP and background management functions



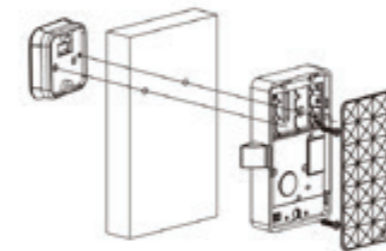
Product Size



Fixing Hole Size

(Model)	(Specification)A	(Rotation)	(Function)	Applicable plate
S-2022-SFA1	Finger print lock	/	/	Wooden board (16-25mm) Steel plate (0.6-2mm)

Installation Step



S-2022-SFA1 NEW

BOTH METAL AND WOODEN

Material: ABS, PC

Finish: Black, milk white

Suitable thickness: 0.6-25 mm

Patent No: CN202230001344.X



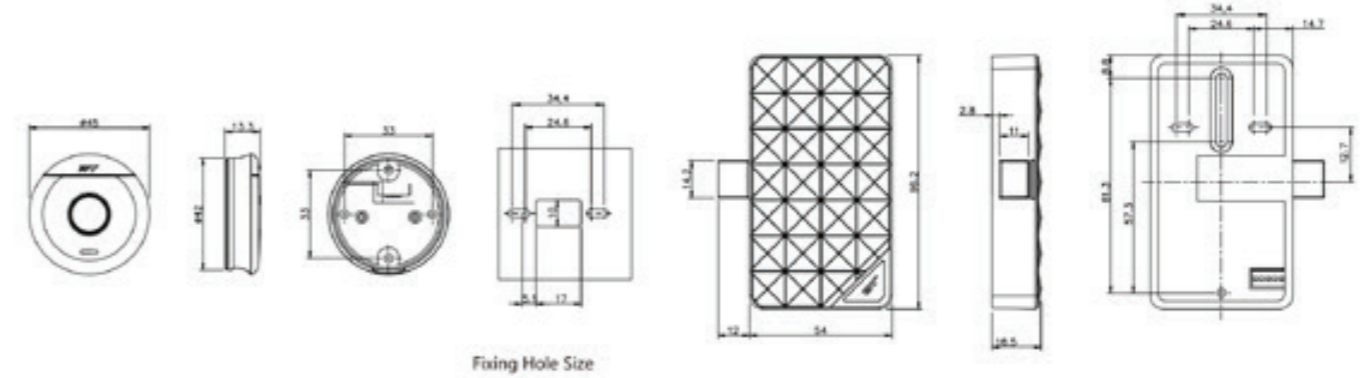


S-2022-SFA2

- Adopt international high-performance, self-learning fingerprint module
- User set and change fingerprint, automatically save when power off
- Auto-alarm will be activated when input wrong fingerprint 4 times
- Various accessories can be provided, Can be applied to a variety of applications
- 3 pieces AAA batteries, automatic power shortage prompts
- Type-C interface can provide emergency power supply and emergency decoding
- Optional Bluetooth, mobile APP and background management functions



Product Size



S-2022-SFA2 NEW

BOTH METAL AND WOODEN

Material: ABS, PC

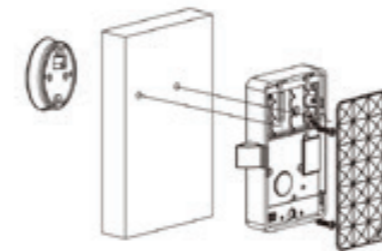
Finish: Black, milk white

Suitable thickness: 0.6-25 mm

Patent No: CN202230001344.X



Installation Step



(Model)	(Specification)A	(Rotation)	(Function)	Applicable plate
S-2022-SFA2	Finger print lock	/	/	Wooden board (16-25mm) Steel plate (0.6-2mm)



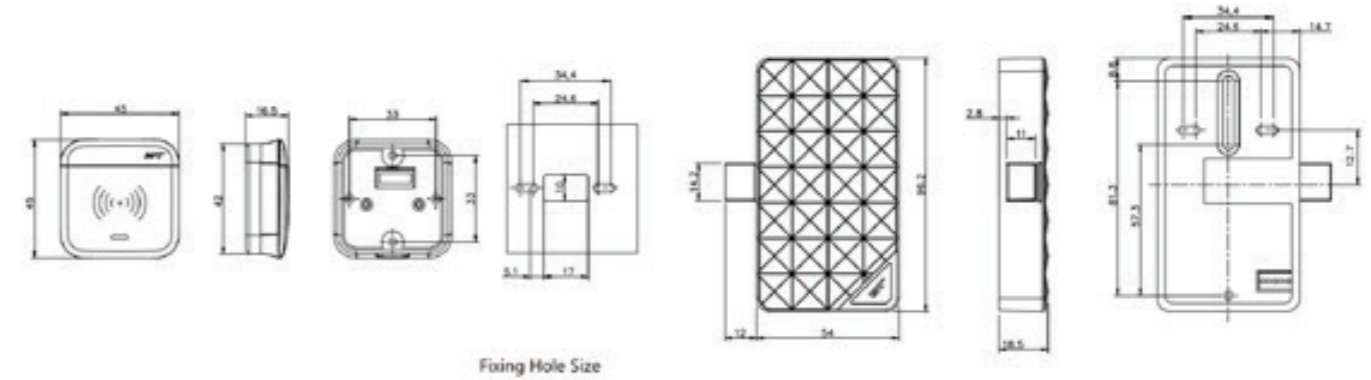
S-2022-ICA1

Features Benefits

- With RFID function, optional management card, general card, waiter card, user card
- User set and change card, automatically save when power off
- Auto-alarm will be activated when input wrong swiping card 4 times
- Various accessories can be provided, Can be applied to a variety of applications
- 3 pieces AAA batteries, automatic power shortage prompts
- Type-C interface can provide emergency power supply and emergency decoding
- Optional Bluetooth, mobile APP and background management functions



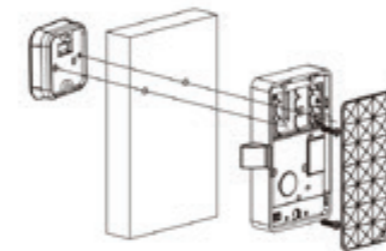
Product Size



Fixing Hole Size

(Model)	(Specification)A	(Rotation)	(Function)	Applicable plate
S-2022-ICA1	Swipe the card lock	/	/	Wooden board (16-25mm) Steel plate (0.6-2mm)

Installation Step



S-2022-ICA1 NEW

BOTH METAL AND WOODEN

Material: ABS, PC

Finish: Black, milk white

Suitable thickness: 0.6-25 mm

Patent No: CN202230001344.X





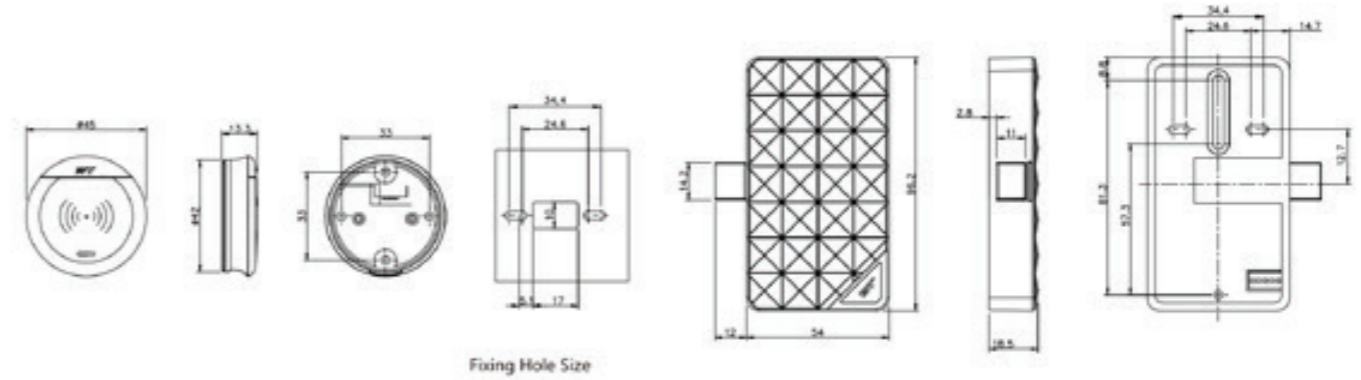
S-2022-ICA2

Features Benefits

- With RFID function, optional management card, general card, waiter card, user card
- User set and change card automatically save when power off
- Auto-alarm will be activated when input wrong swiping card 4 times
- Various accessories can be provided, Can be applied to a variety of applications
- 3 pieces AAA batteries, automatic power shortage prompts
- Type-C interface can provide emergency power supply and emergency decoding
- Optional Bluetooth, mobile APP and background management functions



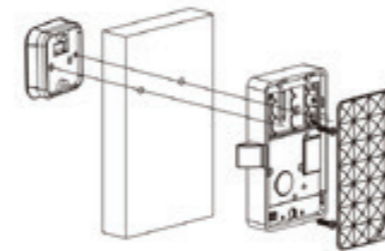
Product Size



Fixing Hole Size

(Model)	(Specification)A	(Rotation)	(Function)	Applicable plate
S-2022-ICA2	Swipe the card lock	/	/	Wooden board (16-25mm) Steel plate (0.6-2mm)

Installation Step



S-2022-ICA2 NEW

BOTH METAL AND WOODEN

Material: ABS, PC

Finish: Black, milk white

Suitable thickness: 0.6-25 mm

Patent No: CN202230001344.X





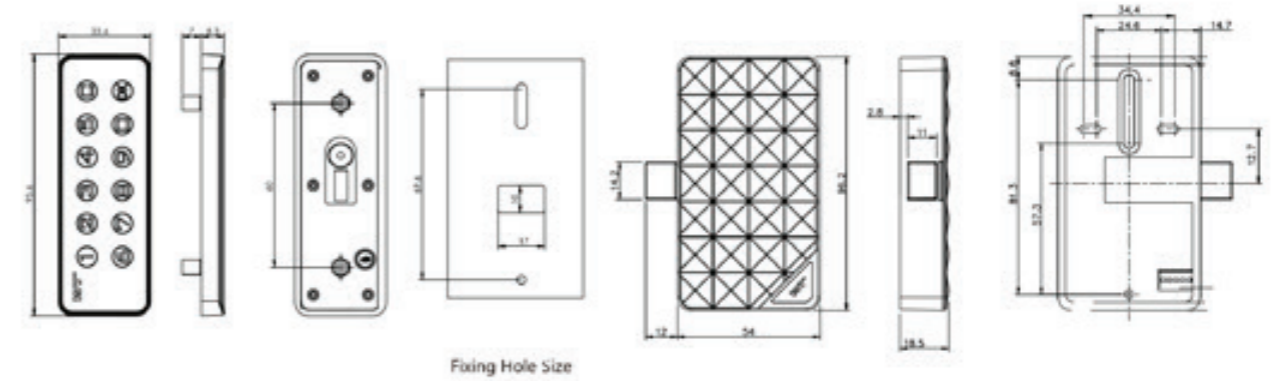
S-2022-00A3/SFA3

Features Benefits

- An international high performance, high speed DSP processor's semiconductor fingerprint modules.
- Split type design for body and panel for different options
- 1 piece AA battery can be used for 3,000 times. Automatic power shortage prompts.
- Password consists of 4-15 digits, billions of password available
- Various accessories can be provided, special function can be customized
- Auto-alarm will be activated when input wrong password 4 times and panel locked 60S
- Both master password and user password available
- Three types of panels available for selection
- Optional Bluetooth function, mobile APP management



Product Size



Fixing Hole Size

S-2022-00A3/SFA3 NEW

BOTH METAL AND WOODEN

Material: ABS, PC

Finish: Black, milk white

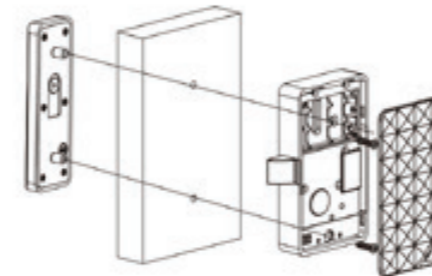
Suitable thickness: 0.6-25 mm

Patent No: CN202230001344.X



(Model)	(Specification)A	(Rotation)	(Function)	Applicable plate
S-2022-00A3	Electronic password lock	/	/	Wooden board (16-25mm) Steel plate (0.6-2mm)
S-2022-SFA3	Fingerprint password lock	/	/	Wooden board (16-25mm) Steel plate (0.6-2mm)

Installation Step





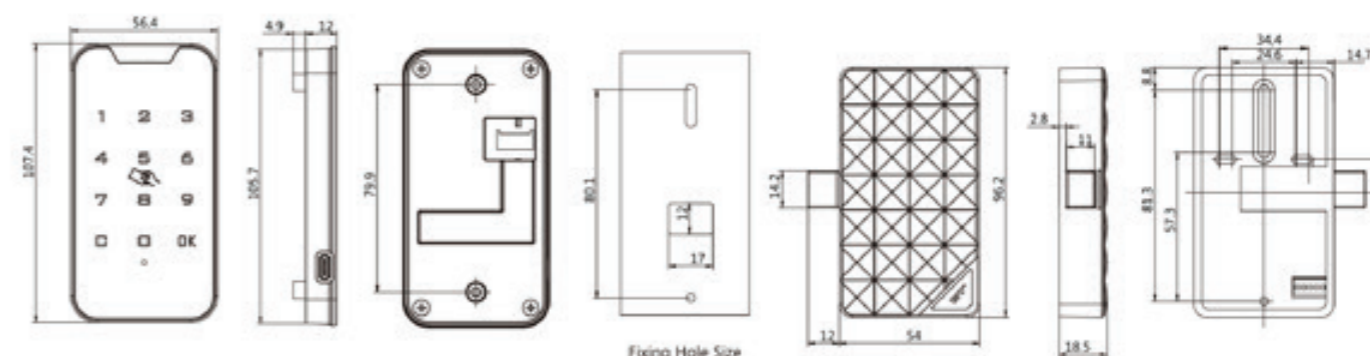
S-2022-A4IC

Features Benefits

- Split type design for body and panel for different options
- Automatic locking system
- Touch pad button design, password can be consisted of 4-15 digits, billions of password available
- Can be operated by card
- Password can be set and changed by users, and memorized automatically when power off
- 3 pieces AA batteries can be used for 10,000 times. Automatic power shortage prompts.
- Introduced with Anti-Theft Technology and Fake PIN password function
- Auto-alarm will be activated when input wrong password 4 times.
- Lock can be set with either 1 group or 2 groups of password to open.(once 2 groups of passwords mode selected, both groups of passwords have to be input to open)
- Various accessories can be provided, special function can be customized
- Both user password and management password available



Product Size



(Model)	(Specification)A	(Rotation)	(Function)	Applicable plate
S-2022-A4IC	IC card + password	/	/	0.6-20mm

S-2022-A4IC

FOR WOODEN, METAL AND PLASTIC FURNITURE

Material: Zinc alloy, ABS, PC

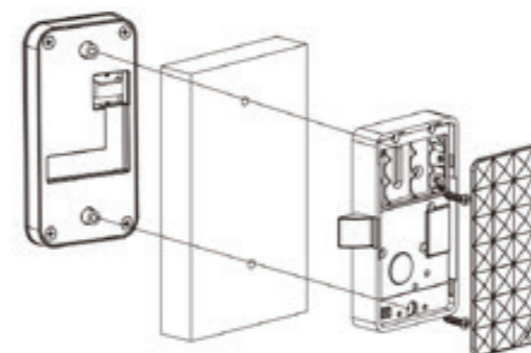
Finish: Chrome and matt chrome plating

Suitable thickness: 0.6-20 mm

Patent No: CN201720049975.2



Installation Step





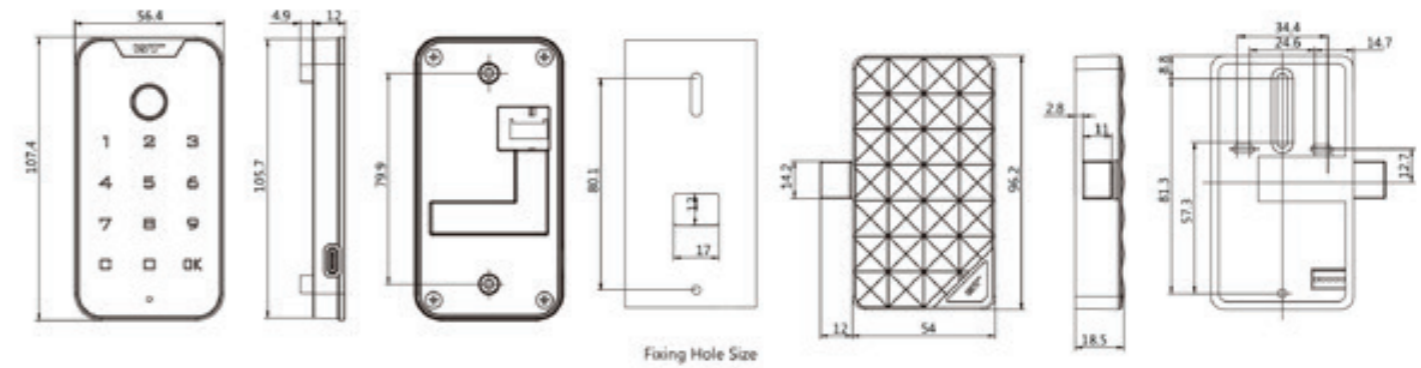
S-2022-SFA4

Features Benefits

- An international high performance, high speed DSP processor's semiconductor fingerprint module.
- Split type design for body and panel for different options.
- Single fingerprint & double fingerprint opening both available .
- 3 pieces AA batteries can be used for 10,000 times, Automatic power shortage prompts.
- Unique design, easy installation.
- Both user password and management password available.
- Optional Bluetooth function, mobile APP management

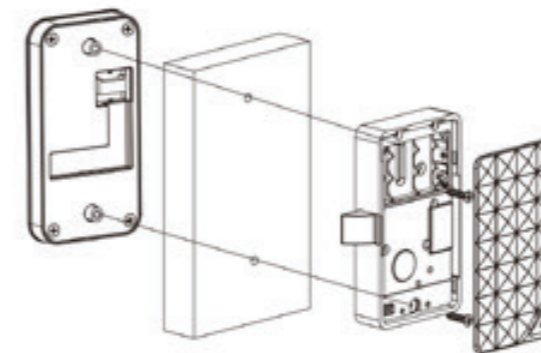


Product Size



(Model)	(Specification)A	(Rotation)	(Function)	Applicable plate
S-2022-SFA4	Finger print password	/	/	0.6-20mm

Installation Step



S-2022-SFA4

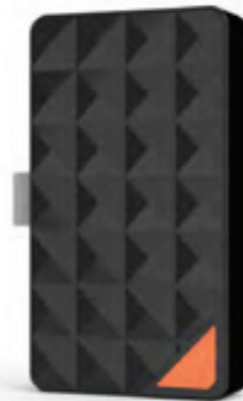
FOR WOODEN, METAL AND PLASTIC FURNITURE

Material: Zinc alloy, ABS, PC

Finish: Chrome and matt chrome plating

Suitable thickness: 0.6-20 mm

Patent No: CN201720049975.2





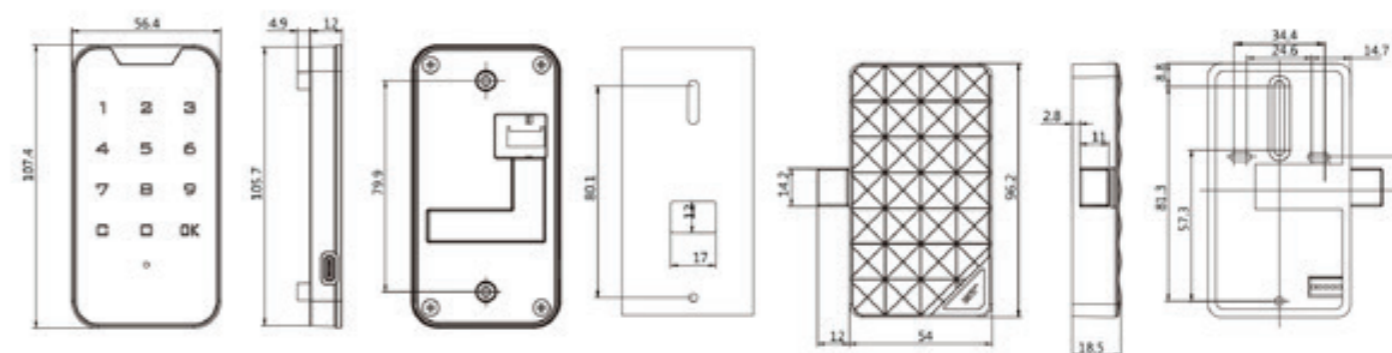
S-2022-00A4

Features Benefits

- Split type design for body and panel for different options
- Automatic locking system
- Touch pad button design, password can be consisted of 4-15 digits, billions of password available
- Password can be set and changed by users, and memorized automatically when power off
- 3 pieces AA batteries can be used for 10,000 times, Automatic power shortage prompts
- Introduced with Anti-Theft Technology and Fake PIN password function
- Auto-alarm will be activated when input wrong password 4 times.
- Lock can be set with either 1 group or 2 groups of password to open.(once 2 groups of passwords mode selected, both groups of passwords have to be input to open)
- Switch between public and private mode freely.Automatic power shortage prompts.
- Various accessories can be provided, special function can be customized
- Both user password and management password available



Product Size



S-2022-00A4

FOR WOODEN, METAL AND PLASTIC FURNITURE

Material: Zinc alloy, ABS, PC

Finish: Chrome and matt chrome plating

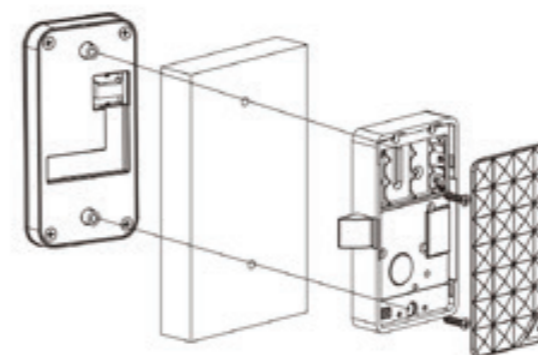
Suitable thickness: 0.6-20 mm

Patent No: CN201720049975.2



(Model)	(Specification)A	(Rotation)	(Function)	Applicable plate
S-2022-00A4	Electronic password lock	/	/	0.6-20mm

Installation Step





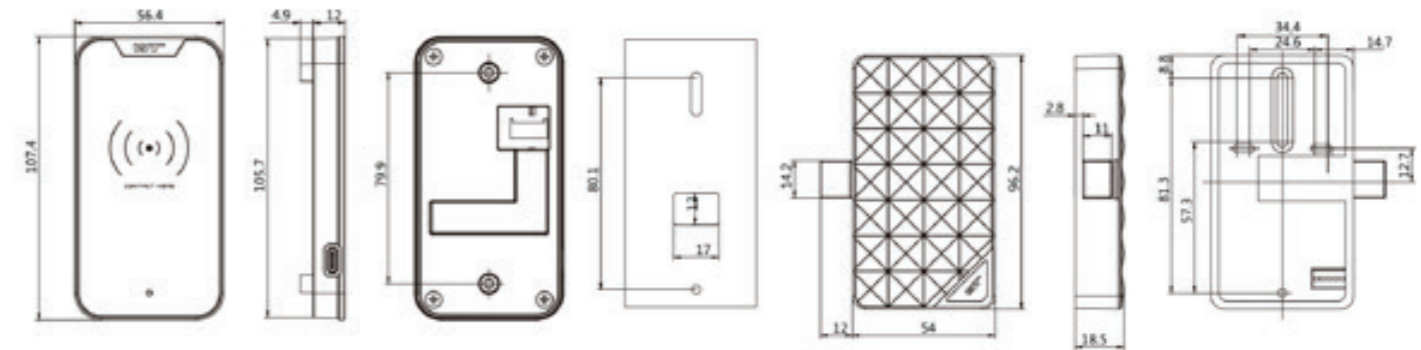
S-2022-04IC

Features Benefits

- Split type design for body and panel for different options.
- Both IC and ID system is optional.
- 4 different cards : management card, main card, service card, guest card.
- Password can be set and changed by users, and memorized automatically when power off.
- 3 pieces AA batteries can be used for 10,000 times. Automatic power shortage prompts.
- emergency opening at low voltage situation.
- Unique design, easy installation.
- Switch between public and private mode freely, with prompt function when lock been occupied.
- Optional Bluetooth function, mobile APP management

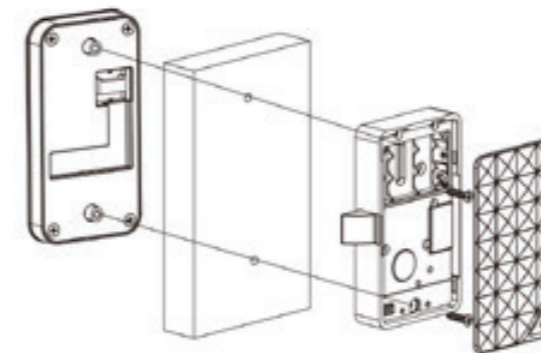


Product Size



(Model)	(Specification)A	(Rotation)	(Function)	Applicable plate
S-2022-04IC	Electronic password lock	/	/	0.6-20mm

Installation Step



S-2022-04IC

FOR WOODEN, METAL AND PLASTIC FURNITURE

Material: Zinc alloy, ABS, PC

Finish: Chrome and matt chrome plating

Suitable thickness: 0.6-20 mm

Patent No: CN201720049975.2





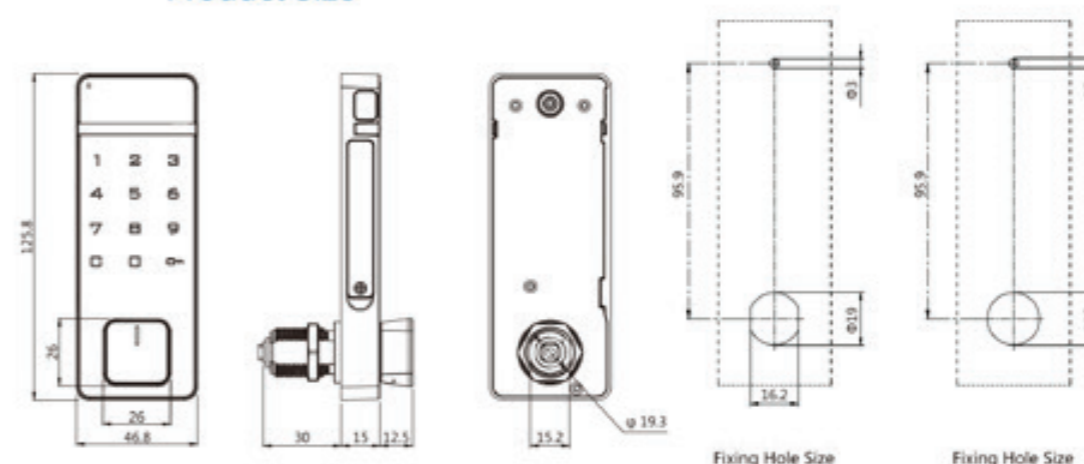
S-2032-00A0

Features Benefits

- 12-key touch screen panel, the password can be any combination of 4-15 digits
- Users can set and change passwords, automatically save when power off, and never lose garbled characters
- Auto-alarm will be activated when input wrong password 4 times
- Various accessories can be provided, Can be applied to a variety of applications
- Equipped with hidden management mechanical key
- 2 pieces CR2032 batteries, automatic power shortage prompts
- Type-C interface can provide emergency power supply and emergency decoding



Product Size



(Model)	(Specification)A	(Rotation)	(Function)	Applicable plate	
S-2032-00A0	Electronic password lock	90° /180°	/	0.6-20mm	Direction of rotation

S-2032-00A0 NEW

FOR METAL AND WOODEN

Material: Zinc alloy, ABS, PC

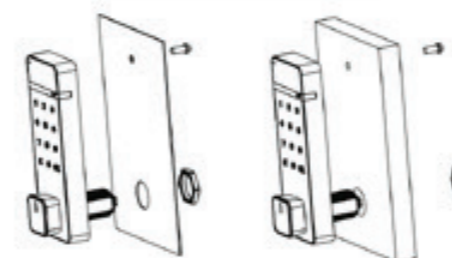
Finish: Painted iron grey

Suitable thickness: 0.6-20 mm

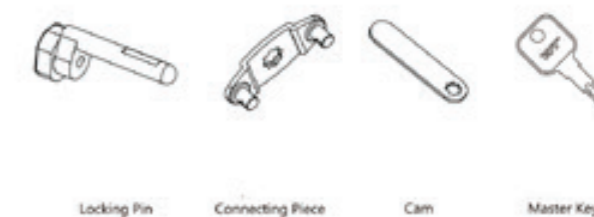
Patent No: CN202220158715.X



Installation Step



Optional Accessories





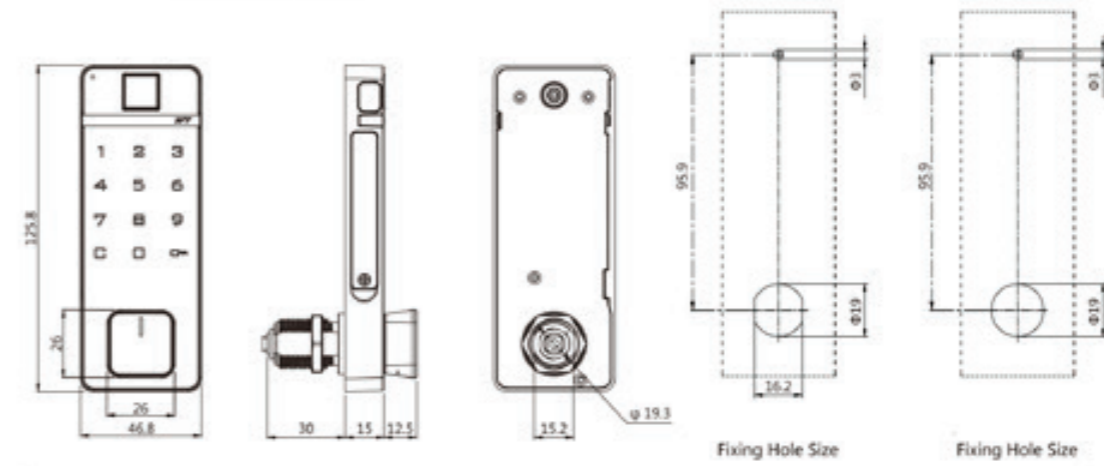
S-2032-BTSF

Features Benefits

- 12-key touch screen panel, the password can be any combination of 4-15 digits
- Adopt international high-performance, self-learning fingerprint module
- Optional Bluetooth, mobile APP and background management functions
- Users can set and change passwords, automatically save when power off, and never lose garbled characters
- Auto-alarm will be activated when input wrong password 4 times
- Various accessories can be provided, Can be applied to a variety of applications
- Equipped with hidden management mechanical key
- 2 pieces CR2032 batteries, automatic power shortage prompts
- Type-C interface can provide emergency power supply and emergency decoding



Product Size



(Model)	(Specification)A	(Rotation)	(Function)	Applicable plate
S-2032-BTSF	Fingerprint Bluetooth lock	90° / 180°	/	0.6-20mm

Direction of rotation

S-2032-BTSF NEW

BOTH METAL AND WOODEN

Material: Zinc alloy, ABS, PC

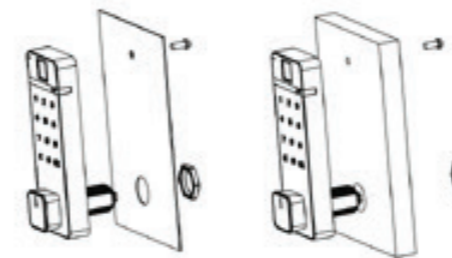
Finish: Painted iron grey

Suitable thickness: 0.6-20 mm

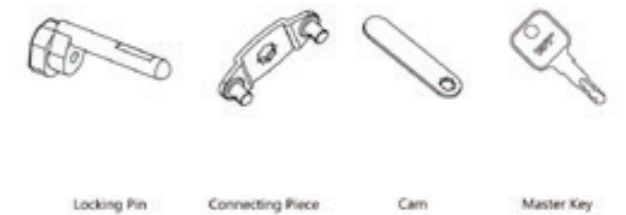
Patent No: CN202220158715.X



Installation Step



Optional Accessories





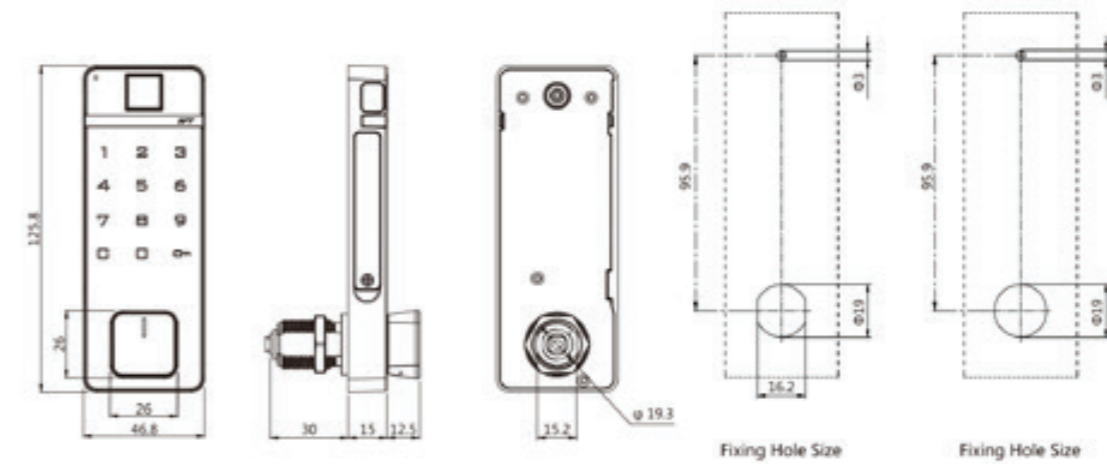
S-2032-AOSF

Features Benefits

- 12-key touch screen panel, the password can be any combination of 4-15 digits
- Adopt international high-performance, self-learning fingerprint module
- Users can set and change passwords, automatically save when power off, and never lose garbled characters
- Auto-alarm will be activated when input wrong password 4 times
- Various accessories can be provided, Can be applied to a variety of applications
- Equipped with hidden management mechanical key
- 2 pieces CR2032 batteries, automatic power shortage prompts
- Type-C interface can provide emergency power supply and emergency decoding



Product Size



(Model)	(Specification)A	(Rotation)	(Function)	Applicable plate
S-2032-AOSF	Fingerprint lock	90°/180°	/	0.6-20mm

Direction of rotation

S-2032-AOSF NEW

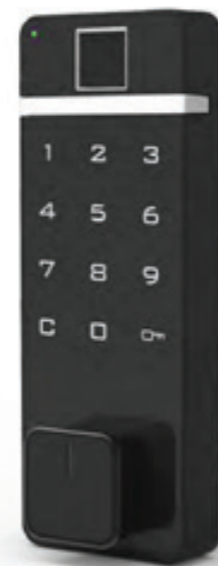
BOTH METAL AND WOODEN

Material: Zinc alloy, ABS, PC

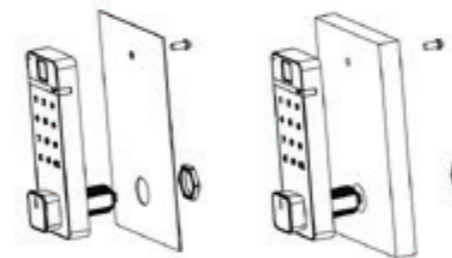
Finish: Painted iron grey

Suitable thickness: 0.6-20 mm

Patent No: CN202220158715.X



Installation Step



Optional Accessories





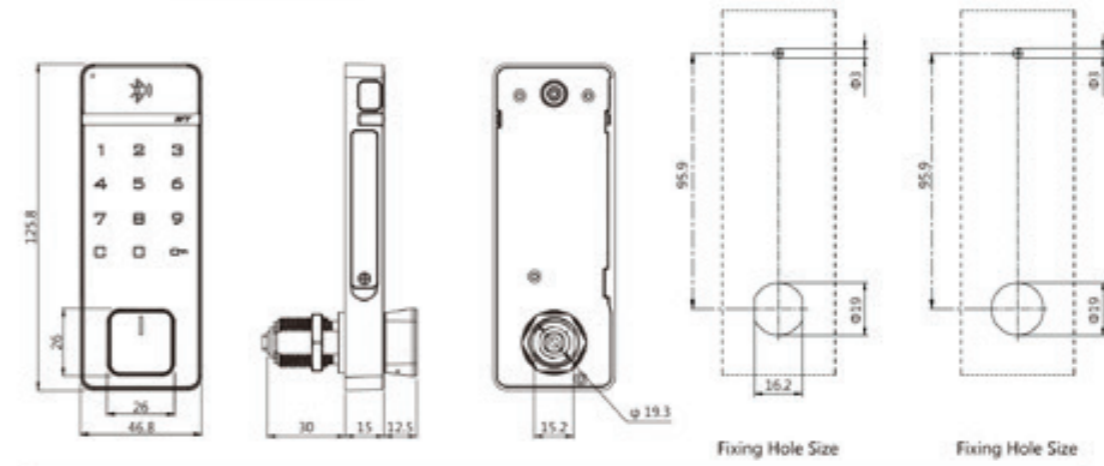
S-2032-BTA0/A0IC

Features Benefits

- 12-key touch screen panel, the password can be any combination of 4-15 digits
- Users can set and change passwords, automatically save when power off, and never lose garbled characters
- Optional Bluetooth, mobile APP and background management functions
- Auto-alarm will be activated when input wrong password 4 times
- Various accessories can be provided, Can be applied to a variety of applications
- Equipped with hidden management mechanical key
- 2 pieces CR2032 batteries, automatic power shortage prompts
- Type-C interface can provide emergency power supply and emergency decoding
- Can be operated by card

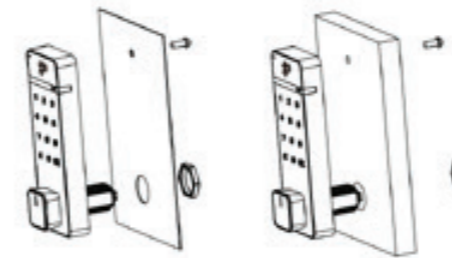


Product Size



(Model)	(Specification)A	(Rotation)	(Function)	Applicable plate	
S-2032-BTA0	Bluetooth lock	90° / 180°	/	0.6-20mm	Direction of rotation
S-2032-ICA0	Password swipe card lock	90° / 180°	/	0.6-20mm	Direction of rotation

Installation Step



Optional Accessories



S-2032-BTA0/A0IC NEW

BOTH METAL AND WOODEN

Material: Zinc alloy, ABS, PC

Finish: Painted iron grey

Suitable thickness: 0.6-20 mm

Patent No: CN202220158715.X





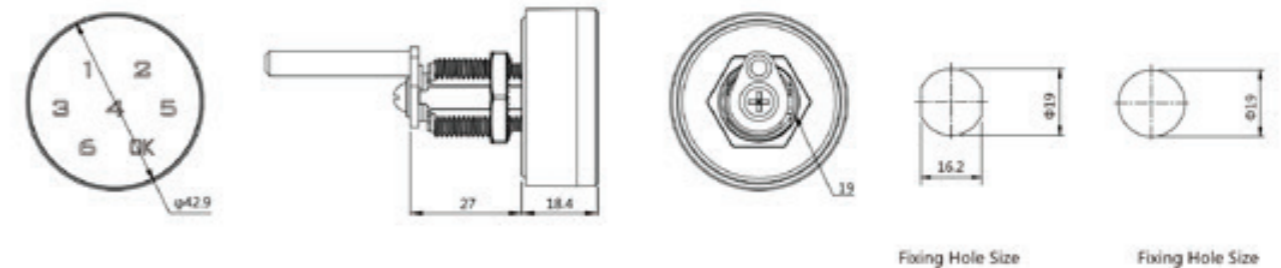
S-2033-00A0

Features Benefits

- 7-key touch screen panel, the password can be any combination of 4-15 digits
- With the functions of management password and user password, users can set and change passwords, automatically save when power off, and never lose garbled characters
- Switch between public and private mode freely, with prompt function when lock been occupied
- Powered by high-performance rechargeable batteries, with automatic prompt function for power shortage
- Introduced with Anti-Theft Technology and Fake PIN password function
- Auto-alarm will be activated when input wrong password 4 times
- Type-C interface can provide emergency power supply and emergency decoding



Product Size



S-2033-00A0 NEW

BOTH METAL AND WOODEN

Material: Zinc alloy, ABS, PC

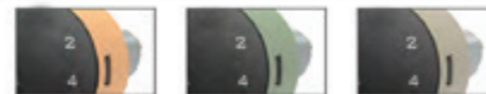
Finish: Painted iron grey

Suitable thickness: 0.6-32 mm

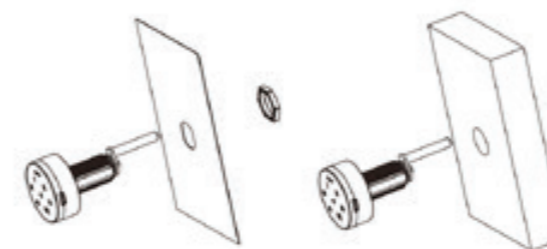
Patent No: CN202220149531.7



Color can be customized:



Installation Step



Optional Accessories



(Model)	(Specification)A	(Rotation)	(Function)	Applicable plate	
S-2033-00A0-20	Electronic password lock	90° /180°	/	0.6-25mm	 Direction of rotation
S-2033-00A0-30	Electronic password lock	90° /180°	/	0.6-32mm	 Direction of rotation



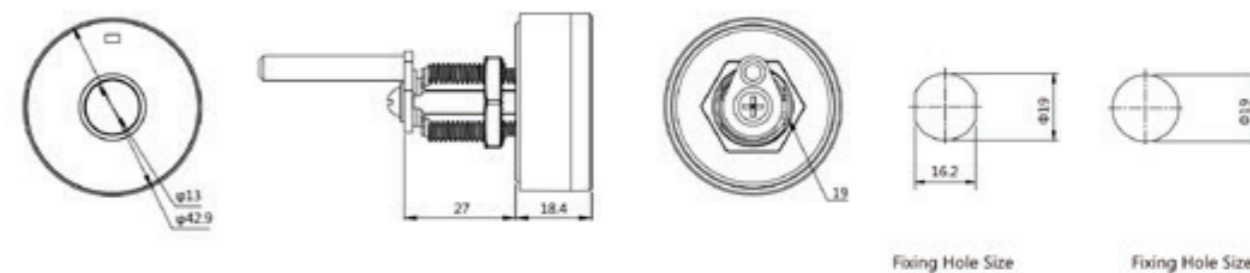
S-2033-00SF

Features Benefits

- Adopt international high-performance, self-learning fingerprint module
- Powered by high-performance rechargeable batteries, with automatic prompt function for power shortage
- Auto-alarm will be activated when input wrong password 4 times
- Type-C interface can provide emergency power supply and emergency decoding



Product Size



S-2033-00SF NEW

BOTH METAL AND WOODEN

Material: Zinc alloy, ABS, PC

Finish: Painted iron grey

Suitable thickness: 0.6-25mm

Patent No: CN202220149531.7

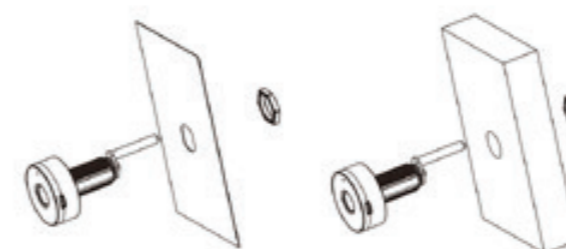


Color can be customized:

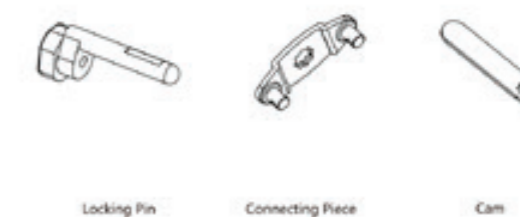


(Model)	(Specification)A	(Rotation)	(Function)	Applicable plate
S-2033-00SF-20	Fingerprint Bluetooth lock	90°/180°	/	0.6-25mm
S-2033-00SF-30	Fingerprint Bluetooth lock	90°/180°	/	0.6-32mm

Installation Step



Optional Accessories





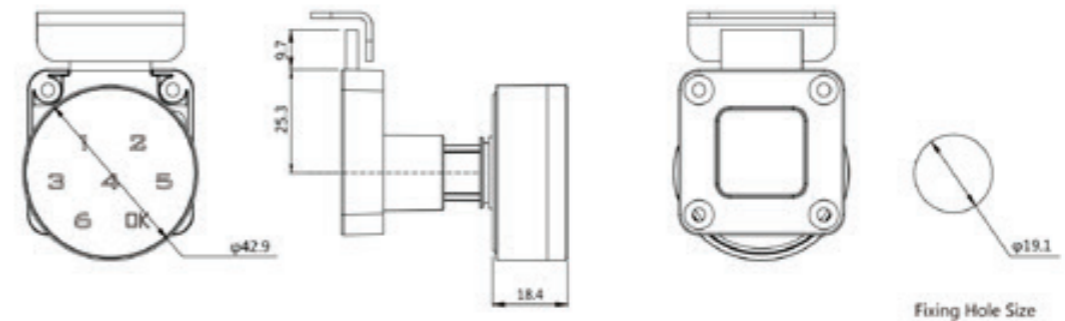
S-2033-00A1

Features Benefits

- 7-key touch screen panel, the password can be any combination of 4-15 digits
- With the functions of management password and user password, users can set and change passwords, automatically save when power off, and never lose garbled characters
- Switch between public and private mode freely, with prompt function when lock been occupied
- Powered by high-performance rechargeable batteries, with automatic prompt function for power shortage
- Introduced with Anti-Theft Technology and Fake PIN password function
- Auto-alarm will be activated when input wrong password 4 times
- Type-C interface can provide emergency power supply and emergency decoding



Product Size



(Model)	(Specification)A	(Rotation)	(Function)	Applicable plate
S-2033-00A1	Electronic password lock	180°	/	Wooden board(16-32mm)

Direction of rotation

S-2033-00A1 NEW

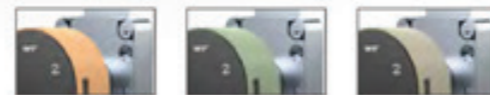
FOR WOODEN FURNITURE

Material: Zinc alloy, ABS, PC

Finish: Painted iron grey

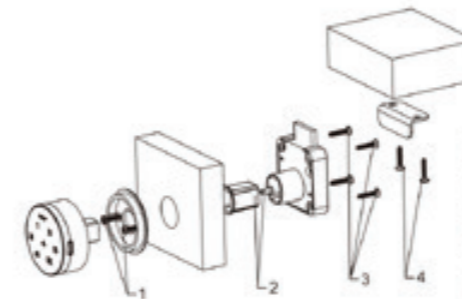
Suitable thickness: 16-32mm

Patent No: CN202220149531.7



Color can be customized:

Installation Step



1. Use two 2.5*10 countersunk head sharp angle self-tapping screws to the cover plate is fixed on the outside of the mounting hole.
2. Use one ST2.5*6 countersunk flat foot self-tapping screw-connection sleeve and control panel control section.
3. Use 2 ST3.0*14 countersunk head self-tapping screws to fix the lock and body on the installation board.
4. Use two ST3.0*10 countersunk head self-tapping screws to lock the buckle fastened to the mounting plank.

Optional Accessories



Shackle



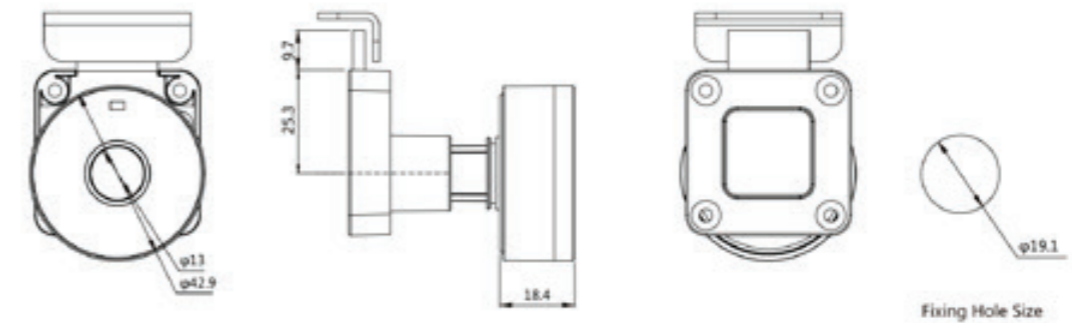
S-2033-01SF

Features Benefits

- Adopt international high-performance, self-learning fingerprint module
- Powered by high-performance rechargeable batteries, with automatic prompt function for power shortage
- Auto-alarm will be activated when input wrong password 4 times
- Type-C interface can provide emergency power supply and emergency decoding



Product Size



(Model)	(Specification)A	(Rotation)	(Function)	Applicable plate
S-2033-01SF	Fingerprint Bluetooth lock	180°	/	Wooden board(16-32mm)

S-2033-01SF NEW

FOR WOODEN FURNITURE

Material: Zinc alloy, ABS, PC

Finish: Painted iron grey

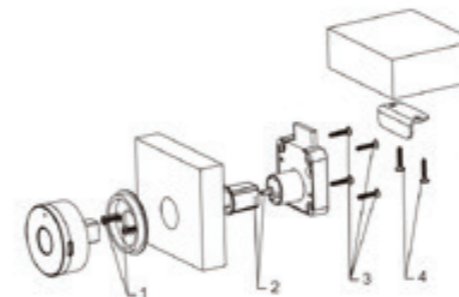
Suitable thickness: 16-32mm

Patent No: CN202220149531.7



Color can be customized:

Installation Step



1. Use two 2.5*10 countersunk head sharp angle self-tapping screws to the cover plate is fixed on the outside of the mounting hole.
2. Use one ST2.5*6 countersunk flat foot self-tapping screw-connection sleeve and control panel control section.
3. Use 2 ST3.0*14 countersunk head self-tapping screws to fix the lock and body on the installation board.
4. Use two ST3.0*10 countersunk head self-tapping screws to lock the buckle fastened to the mounting plank.

Optional Accessories



Shackle



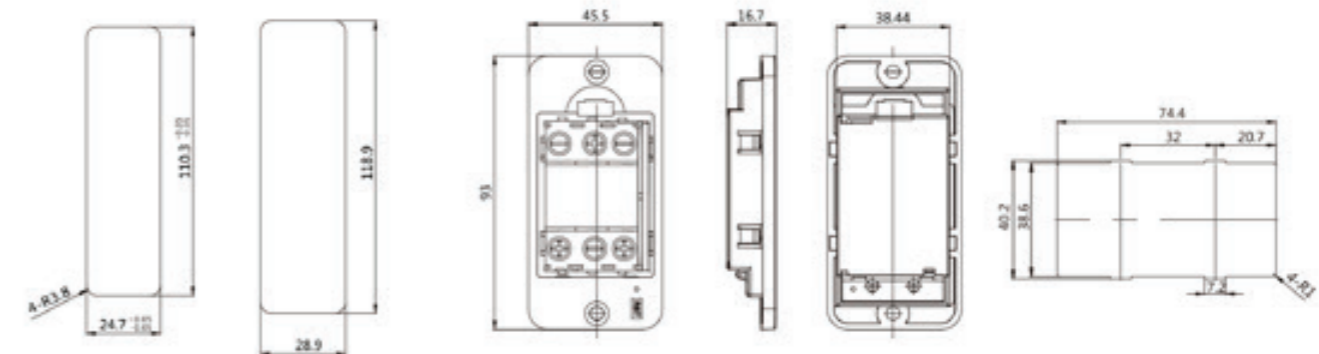
S-2035-00A0

Features Benefits

- 8-key touch screen panel, the password can be any combination of 4-15 digits
- With the functions of management password and user password, users can set and change passwords, automatically save when power off, and never lose garbled characters
- Switch between public and private mode freely, with prompt function when lock been occupied
- Powered by high-performance rechargeable batteries, with automatic prompt function for power shortage
- Introduced with Anti-Theft Technology and Fake PIN password function
- Auto-alarm will be activated when input wrong password 4 times
- Type-C interface can provide emergency power supply and emergency decoding

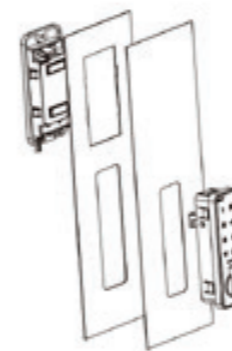


Product Size



Fixing Hole Size (Model)	Fixing Hole Size (Specification)A	(Rotation)	(Function)	Applicable plate	Fixing Hole Size
S-2035-00A0	Electronic sliding door lock	180°	/	0.7-2mm	

Installation Step



S-2035-00A0 NEW

SUITABLE FOR BOTH WOODEN AND METAL SLIDING CABINET

Material: Zinc alloy, ABS, PC

Finish: Painted iron grey

Suitable thickness: 0.7-2mm

Patent No: CN202230085063.7





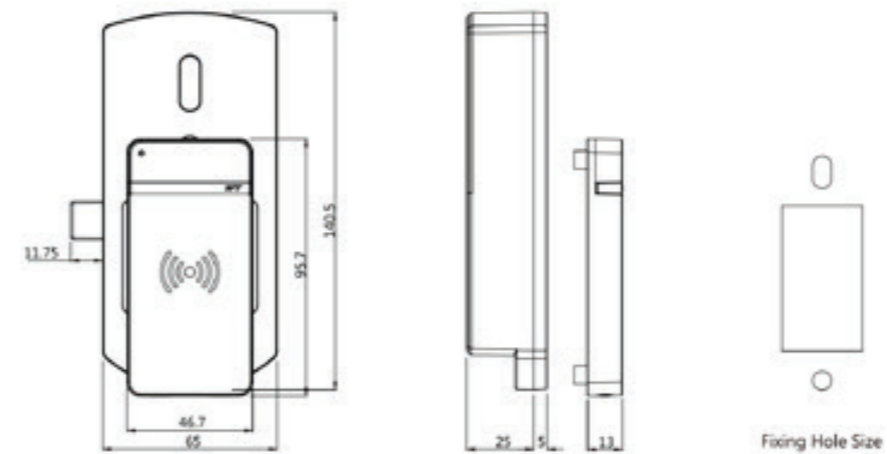
S-2042-001C

Features Benefits

- Split type, with fully automatic lock body, can be equipped with a variety of control panels
- With RFID function, optional management card, general card, waiter card, user card
- User set and change card, automatically save when power off
- 4 pieces AA batteries, automatic power shortage prompts
- Switch between public and private mode freely, with prompt function when lock been occupied
- Type-C interface can provide emergency power supply and emergency decoding
- Optional Bluetooth, mobile APP and background management functions

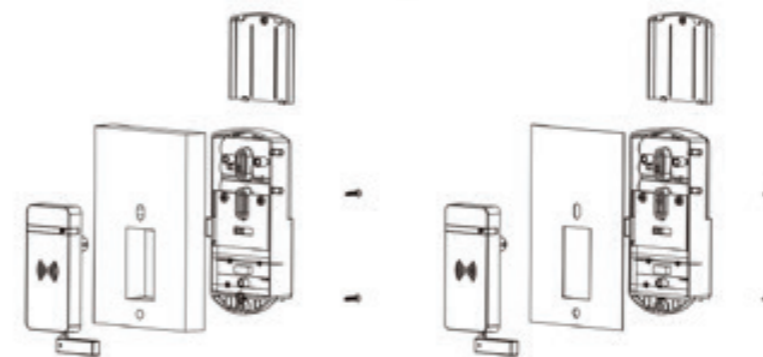


Product Size



(Model)	(Specification)A	(Rotation)	(Function)	Applicable plate
S-2042-001C	Electronic password lock	/	/	Wooden board(16-20mm) Steel plate(0.7-2mm)

Installation Step



S-2042-001C NEW

BOTH METAL AND WOODEN

Material: Zinc alloy, ABS, Discs

Finish: Matt chrome plating

Suitable thickness: 0.6-20mm

Patent No: CN202130571140.5





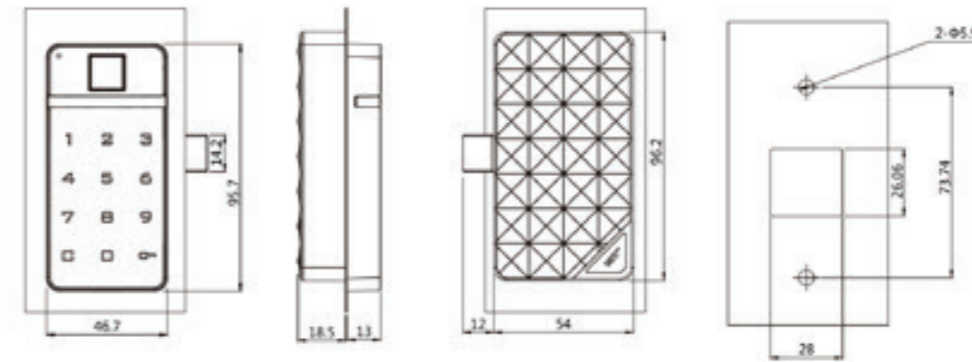
S-2043-BTSF

Features Benefits

- Adopt international high-performance, self-learning fingerprint module
- Split type, with fully automatic lock body, can be equipped with a variety of control panels
- Users can set and change passwords, automatically save when power off, and never lose garbled characters
- Auto-alarm will be activated when input wrong password 4 times
- Various accessories can be provided, Can be applied to a variety of applications
- Equipped with hidden management mechanical key and emergency power supply interface
- 3 pieces AAA batteries, automatic power shortage prompts
- Type-C interface can provide emergency power supply and emergency decoding
- Optional Bluetooth, mobile APP and background management functions



Product Size



(Model)	(Specification)A	(Rotation)	(Function)	Applicable plate
S-2043-BTSF	Electronic password lock	/	/	Wooden board (16-20mm) Steel plate (0.6-2mm)

Direction of rotation

S-2043-BTSF NEW

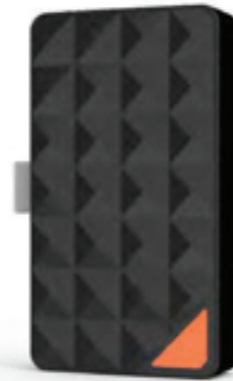
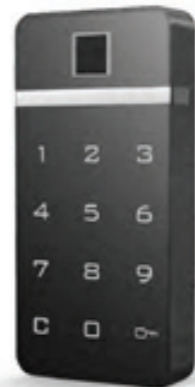
BOTH METAL AND WOODEN

Material: Zinc alloy, ABS, Discs

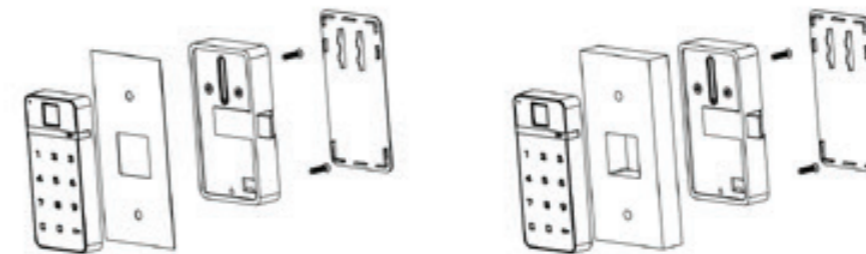
Finish: Matt chrome plating

Suitable thickness: 0.6-2mm

Patent No: CN202130571140.5



Installation Step





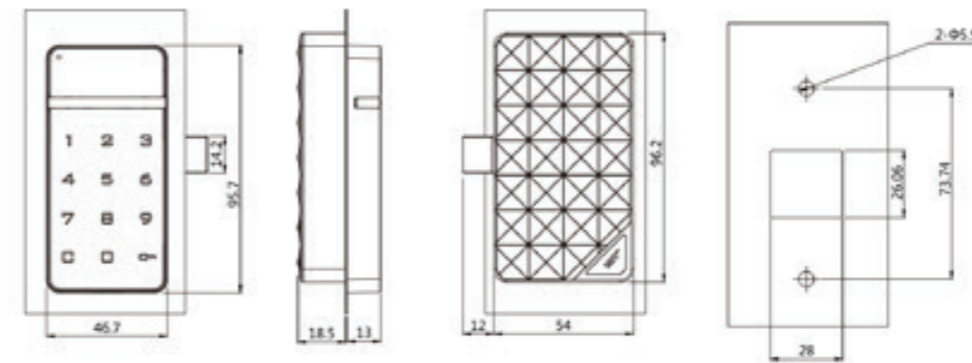
S-2043-00A0

Features Benefits

- Split automatic lock body, can be equipped with a variety of control panels
- 12-key touch keys, giving users the ultimate experience, the password can be any combination of 4-15 digits
- With the functions of management password and user password, users can set and change passwords, automatically save when power off
- Introduced with Anti-Theft Technology and Fake PIN password function
- Powered by 4 AA batteries, automatic power shortage prompts
- Switch between public and private mode freely, with prompt function when lock been occupied
- Type-C interface can provide emergency power supply and emergency decoding



Product Size



(Model)	(Specification)A	(Rotation)	(Function)	Applicable plate
S-2043-00A0	Electronic password lock	/	/	Wooden board (16-20mm) Steel plate (0.6-2mm)



S-2043-00A0 NEW

BOTH METAL AND WOODEN

Material: Zinc alloy, ABS, Discs

Finish: Matt chrome plating

Suitable thickness: 0.6-2mm

Patent No: CN202130571140.5



Installation Step





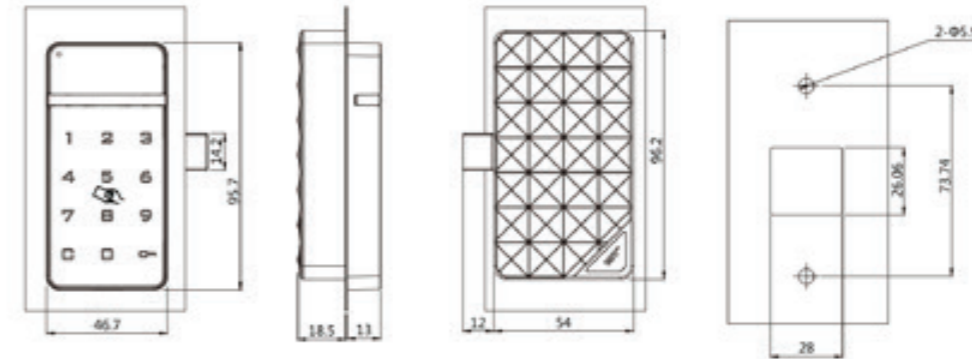
S-2043-A01C

Features Benefits

- Split automatic lock body, can be equipped with a variety of control panels
- 12-key touch keys or RFID card to unlock
- The user sets and changes the password and card, and the power is automatically saved, and the garbled code will never be lost
- Introduced with Anti-Theft Technology and Fake PIN password function
- Powered by 3 pieces AAA batteries, automatic power shortage prompts
- Switch between public and private mode freely, with prompt function when lock been occupied
- With the functions of management password and user password
- Optional Bluetooth, mobile APP and background management functions
- Type-C interface can provide emergency power supply and emergency decoding



Product Size



(Model)	(Specification)A	(Rotation)	(Function)	Applicable plate
S-2043-A01C	Electronic password lock	/	/	Wooden board (16-20mm) Steel plate (0.6-2mm)



S-2043-A01C NEW

BOTH METAL AND WOODEN

Material: Zinc alloy, ABS, Discs

Finish: Matt chrome plating

Suitable thickness: 0.6-2mm

Patent No: CN202130571140.5



Installation Step





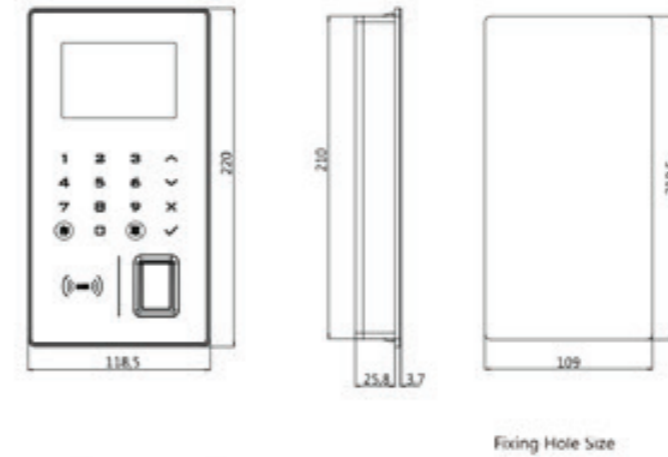
S-3011 SMART CABINET LOCK

Features Benefits

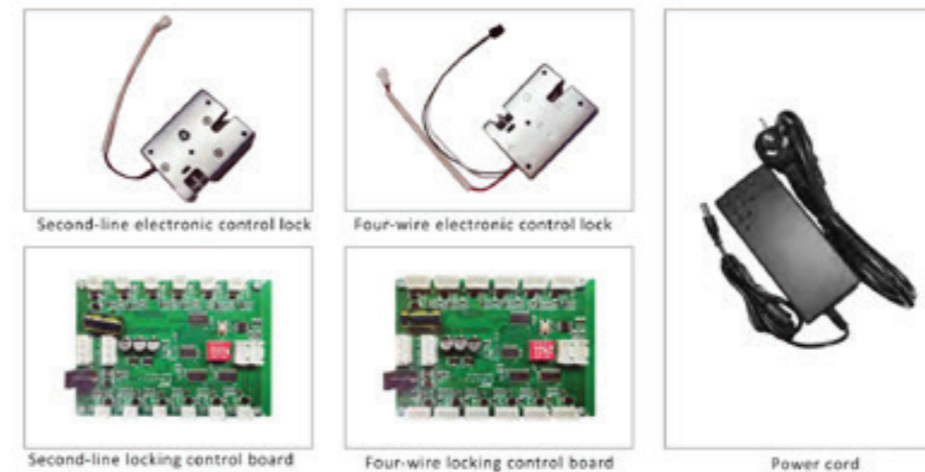
- The controller adopts dual-core ARM Cortex-A7 32-bit core processor
- 3.5 inch TFT display
- Voice prompt operation, buzzer prompt, voice volume can be set
- The 16-key touch keypad is used to log in, manage, log in to the background of the system, manage and configure system parameters.
- Two extraction modes: midway extraction and normal extraction
- Two types of users: long-term users and temporary users
- Two occupancy methods for long-term users: exclusive use of the box and shared by up to three people in the box
- Set the access time period according to the week, set four time periods every day, and access items within the set time period
- Software reset to factory default.
- 6 administrators, if the administrator password is forgotten or lost, press the button to restore the default password.
- View history, there are more than 200,000 records in history.
- With modular design, fingerprint and card functions can be customized according to customer needs
- The lock control board setting can be freely set according to the customer's cabinet door. Up to 16 lock control boards can be connected



Product Size



Accessories



S-3011 SMART CABINET LOCK NEW

BOTH STORAGE CABINET & LOCKER

Material: Zinc alloy, ABS, Discs

Finish: Spray

Suitable thickness: 0.6-20mm

Patent No: 2020SR1077681





S-3012 NEW
FACE RECOGNITION
SMART CABINET LOCK

BOTH STORAGE CABINET & LOCKER

Material: Zinc alloy, ABS, Discs

Finish: Spray

Suitable thickness: 0.6-20mm

Patent No: 2021SR1611916



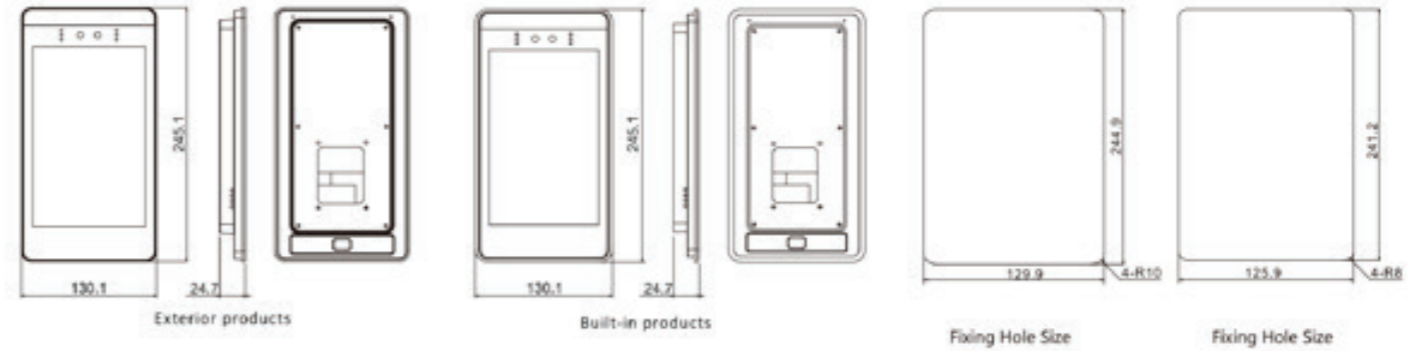
S-3012 FACE RECOGNITION
SMART CABINET LOCK

Features Benefits

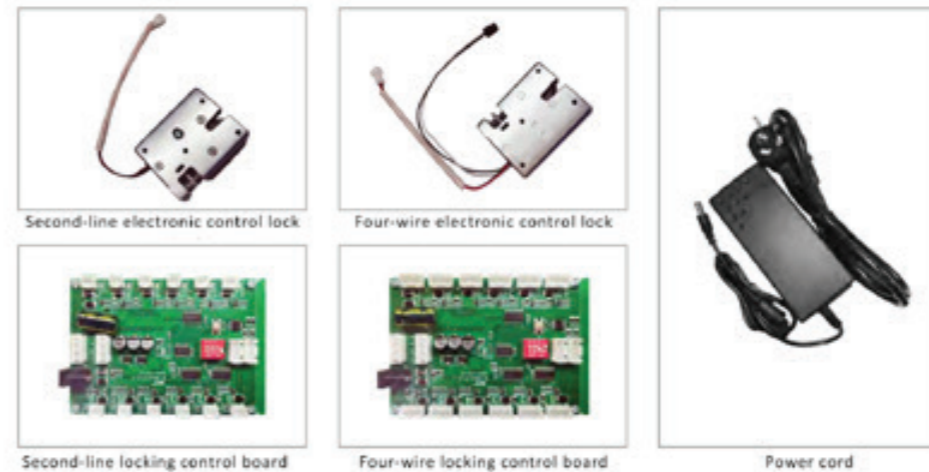
- The controller adopts dual-core ARM Cortex-A7 32-bit core processor, and uses advanced face recognition algorithm for face detection and face recognition, and the speed can reach millisecond level.
- The binocular camera is used for live detection to prevent prosthetic attacks and improve safety performance.
- 8-inch display touch screen, resolution 1280*800, high-definition display scene image.
- With white light and infrared fill light, it can be used all day long.
- Door management, emergency unlocking, user management, administrator account management, record management and system settings and other functional modules
- Three-level administrators: factory administrators, senior administrators, ordinary administrators.
- The factory administrator is lost, restore the default password
- The administrator logs into the system background to manage cabinets and users, view unlocking records, and other system parameter setting functions
- Door management: Set the size of the cabinet door, as well as clearing all door, clearing single door, and single locking/unlocking of the cabinet door.
- Emergency unlocking: single unlocking door, range unlocking door, complete unlocking door and central control door opening.
- User management: add users, modify users, delete users
- Account management: add administrators, modify administrators, delete administrators
- Record management: There are administrator operation records, user unlock records, and checking unlocking records.
- Up to 100,000 records can be stored; with automatic maintenance function
- System parameter settings:
 - Mode switching: public mode and private mode
 - Unlock verification method: face recognition, human fingerprint, IC card
 - Storage function: storage distribution, door size selection, and functions such as one person storing multiple cabinets
 - Pickup function: Pickup in the middle of the public mode
 - Time period setting: the certain time period and the automatic clearing function in the public mode.
 - Volume, time, network, and long-time standby backlight brightness settings
 - Lock control board setting: The lock control board can be freely set according to the cabinet door of the customer. Up to 16 lock control boards can be connected



Product Size



Accessories





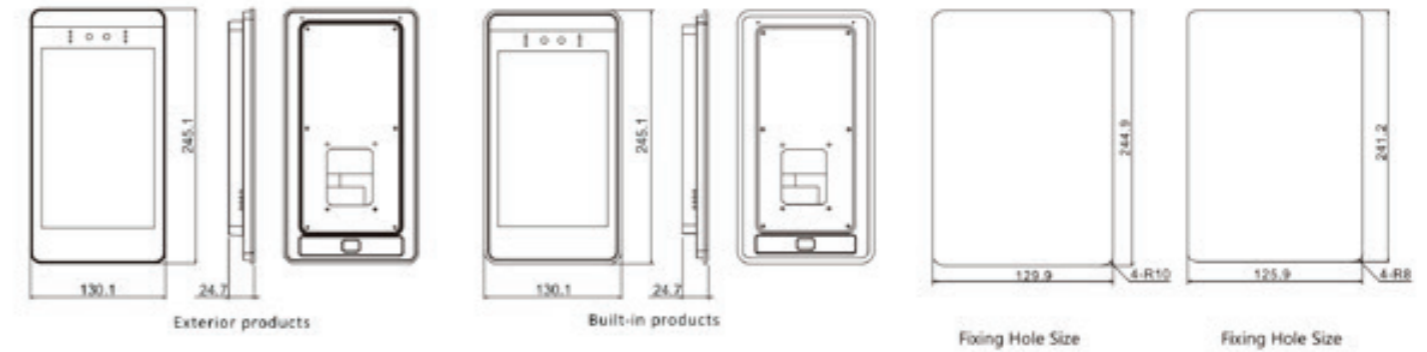
S-3013 FACE RECOGNITION WIRELESS SECURITY CABINET LOCK

Features Benefits

- This product is a wireless electronic lock control system with face recognition function.
- It consists of lock controller (product number: S-3013) and lock body (product number: S-3014).
- The controller adopts dual-core ARM Cortex-A7 32-bit core processor, and uses advanced face recognition algorithm for face detection and face recognition. The speed of face detection and recognition can reach millisecond level.
- The binocular camera is used for live detection to prevent prosthetic attacks and improve safety performance.
- 8-inch display touch screen, resolution 1280*800, high-definition real-time display of scene images.
- 2.4G wireless communication, avoid wiring troubles, and the longest wireless unlocking does not exceed 3 seconds.
- With white light and infrared fill light, it can be used all day long.
- Two-level administrators: add ordinary administrators to senior management, and add up to 10 ordinary administrators.
- Exclusive patented clutch handle to prevent violent twisting; humanized voice broadcast function;
- Unlocking record saving function, can store up to 50,000 records;
- The lock body S-3014 uses 4 AA batteries for power supply, low power consumption, and the battery life is more than one year;
- The lock body S-3014 has USB emergency unlocking function



Product Size



S-3013 NEW FACE RECOGNITION WIRELESS SECURITY CABINET LOCK

BOTH SECURITY CABINET & FILE CABINET

Material: Zinc alloy, ABS, Discs

Finish: Matt chrome plating

Suitable thickness: 0.6-2mm

Patent No: 2021SR1611915



Accessories



Power cord



CARD ISSUANCE MANAGEMENT SOFTWARE

APPLICABLE: LOCK WITH IC CARD FUNCTION

For locks with RFID card function

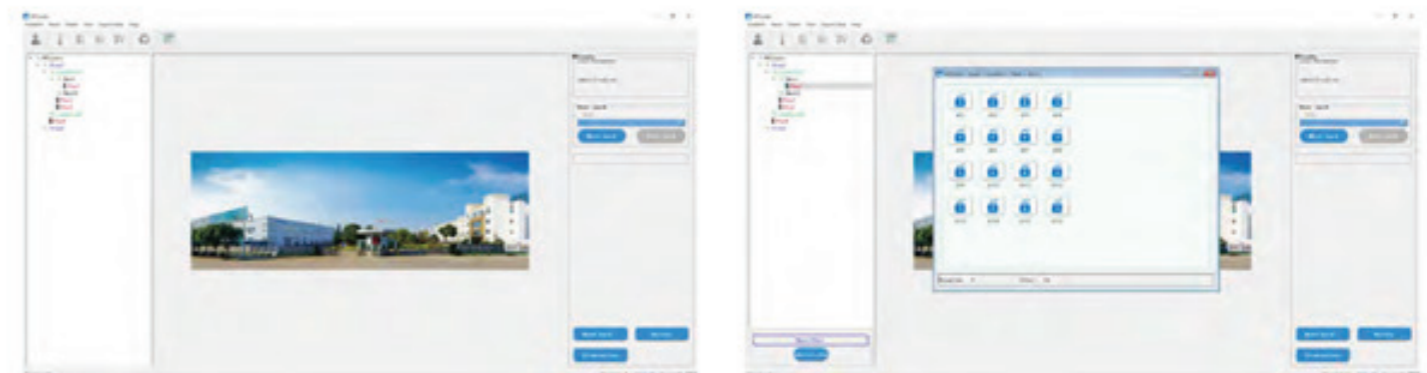
Soft certificate: 2021SR1678411

Summary

- The software is mainly used for card management of IC card lock.
- Various functional IC cards are produced through the card issuer, which are used for installation, debugging, centralized management and distribution of
- IC card locks with specific functions for distributed installation in designated application scenarios.
- Software level release, release different software according to customer level through configuration, easy to operate.

Features Benefits

- The unique authorization password of the specified application scenario makes the IC card lock more secure;
- Make multi-function IC cards, including setting cards, management cards, authorization cards, test cards, user cards, clear cards, etc.;
- Read various IC cards used in specified application scenarios, and display the card type, the orientation of the card using IC swipe lock, etc.;
- Can export the list of IC card locks in specified application scenarios;
- The visual interface makes it easy to view the distribution position, quantity and distribution of IC card locks.
- Add usage aging to locks and cards as needed, time-out locks or cards will fail to use.
- It can be matched with other system IC cards in application scenarios to realize one card.
- Switch between Chinese and English versions of the software





M-1601S

FOR METAL FURNITURE

Material: Zinc alloy, ABS, Discs

Finish: Matt chrome plating

Suitable thickness: 0.6-2mm

Patent No:

ZL201630422795.5 ZL201620859631.3
ZL201720147681.3 ZL201720049975.2
ZL201720049974.8



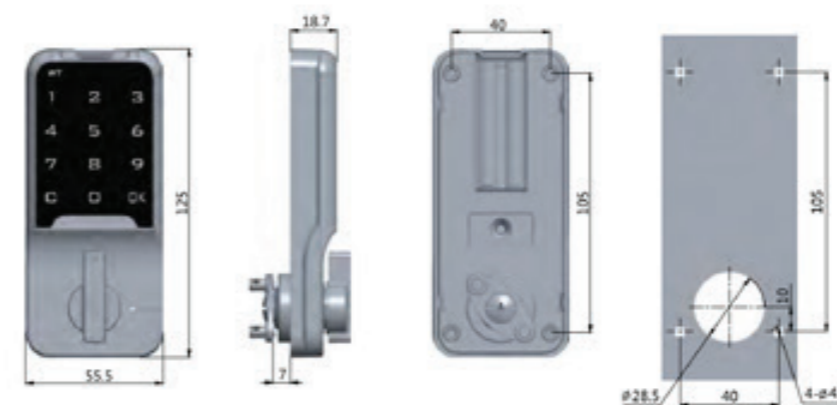
M-1601S

Features Benefits

- Touch pad button design, password can be consisted of 4-15 digits, billions of password available
- Password can be set and changed by users, and memorized automatically when power off
- 2 pieces AAA batteries can be used for more than 16,000 times and replaced easily. Automatic power shortage prompts.
- Introduced with Anti-Theft Technology and Fake PIN password function
- Auto-alarm will be activated when input wrong password 4 times.
- Lock can be set with either 1 group or 2 groups of password to open.(once 2 groups of passwords mode selected, both groups of passwords have to be input to open)
- Switch between public and private mode freely, with prompt function when lock been occupied.
- Decoder can be provided with Multilayer password management
- Various accessories can be provided, special function can be customized
- Both user password and management password available



Product Size

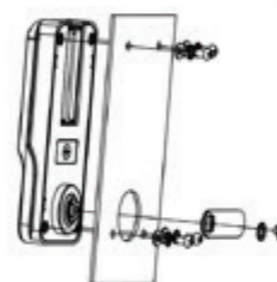


Fixing Hole Size

(Model)	(Specification)A	(Rotation)	(Function)	Applicable plate
M-1601S-20	20	90°	/	0.6-3mm



Installation Step



Optional Accessories



Cam



Hook cam



Rod connector



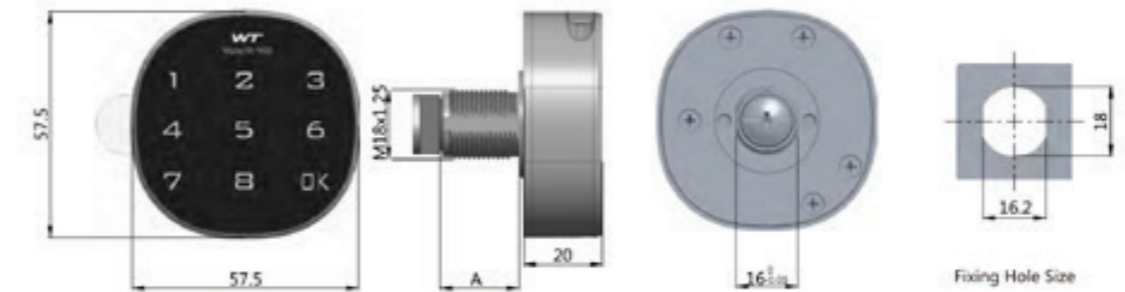
M-1602S

Features Benefits

- Touch pad button design, password can be consisted of 4-15 digits, billions of password available.
- Password can be set and changed by users, and memorized automatically when power off.
- Switch between public and private mode freely, with prompt function when lock been occupied.
- Button cell can be used for 3,000 times and replaced easily. Automatic power shortage prompts.
- Introduced with Anti-Theft Technology and Fake PIN password function
- Auto-alarm will be activated when input wrong password 4 times.
- Decoder can be provided with Multilayer password management
- Both user password and management password available



Product Size



(Model)	(Specification)A	(Rotation)	(Function)	Applicable plate
M-1602S-20	20	90°/180°	/	0.6~16mm
M-1602S-30	30	90°/180°	/	0.6~25mm

M-1602S NEW

BOTH METAL AND WOODEN

Material: Zinc alloy, ABS, Discs

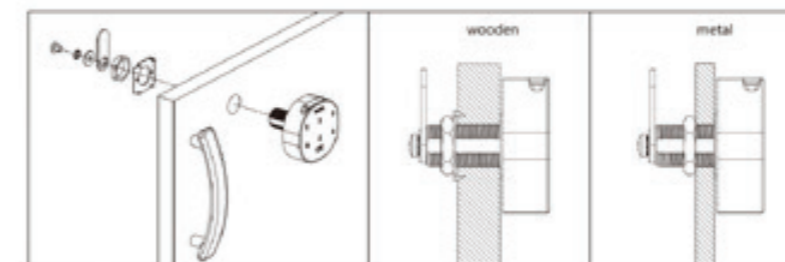
Finish: Matt chrome plating

Suitable thickness: 0.6-25mm

Patent No:
 ZL201630422794.0 ZL201620859633.2
 ZL201720147681.3 ZL201720049975.2



Installation Step



Optional Accessories





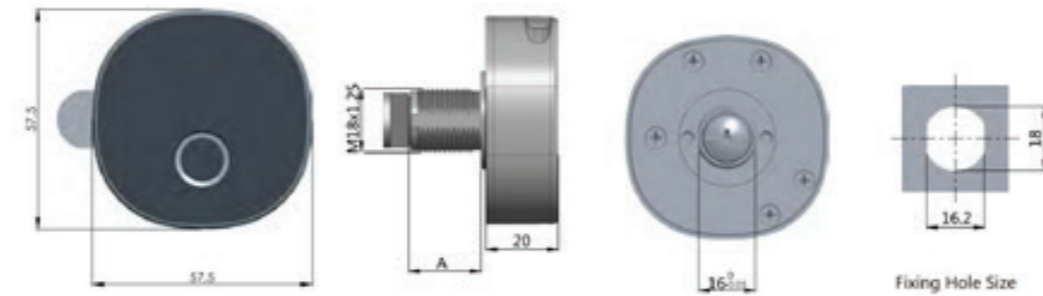
M-1602S-00SF

Features Benefits

- Integrated industry advanced self-learning system fingerprint module
- User set fingerprint change freely, automatic save after power off
- Button cell can be used for 3,000 times and replaced easily. Automatic power shortage prompts.
- Introduced with Anti-Theft Technology and Fake PIN password function
- Auto-alarm will be activated when input wrong password 4 times.
- Decoder can be provided with Multilayer password management
- Optional Bluetooth function, mobile APP management



Product Size



(Model)	(Specification)A	(Rotation)	(Function)	Applicable plate	
M-1602S-20-SF	20	90°/180°	/	0.6~16mm	Direction of rotation
M-1602S-30-SF	30	90°/180°	/	0.6~25mm	Direction of rotation

M-1602S-00SF NEW

BOTH METAL AND WOODEN

Material: Zinc alloy, ABS, Discs

Finish: Matt chrome plating

Suitable thickness: 0.6-25mm

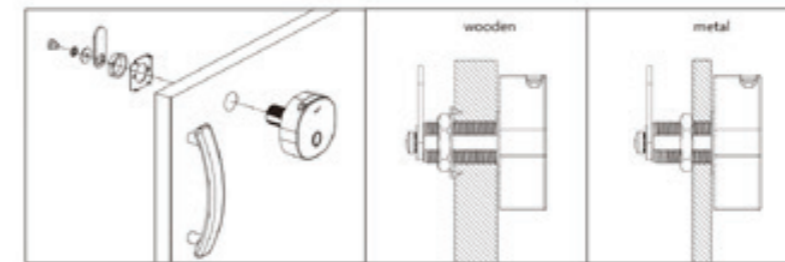
Patent No:

: ZL201630422794.0 ZL201620859633.2
ZL201720147681.3 ZL201720049975.2

COMPREHENSIVE UPGRADE OF LOCK STRUCTURE



Installation Step



Optional Accessories





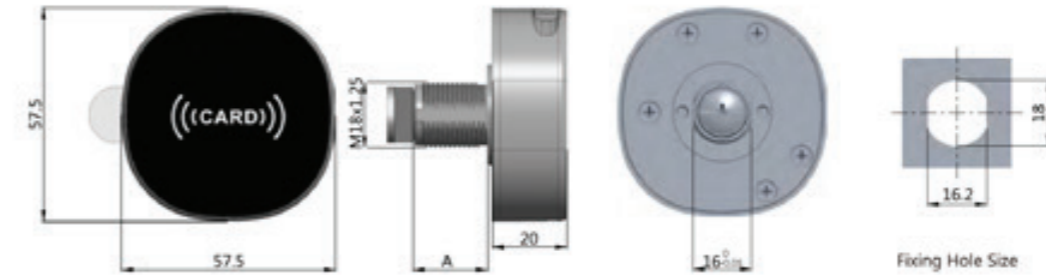
M-1602S-001C

Features Benefits

- User setting and changeable card, power off automatically save, and the user can be converted
- Button cell can be used for 3,000 times and replaced easily. Automatic power shortage prompts
- Decoder can be provided with Multilayer password management
- Switch between public and private mode freely, with prompt function when lock been occupied



Product Size



(Model)	(Specification)A	(Rotation)	(Function)	Applicable plate
M-1602S-20-ID/IC	20	90°/180°	/	0.6-16mm
M-1602S-30-ID/IC	30	90°/180°	/	0.6-25mm

M-1602S-001C NEW

BOTH METAL AND WOODEN

Material: Zinc alloy, ABS, Discs

Finish: Matt chrome plating

Suitable thickness: 0.6-25mm

Patent No:

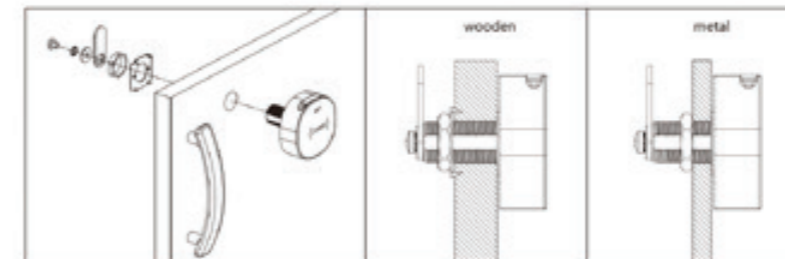
ZL201630422794.0 ZL201620859633.2
ZL201720147681.3 ZL201720049975.2



COMPREHENSIVE UPGRADE OF LOCK STRUCTURE



Installation Step



Optional Accessories





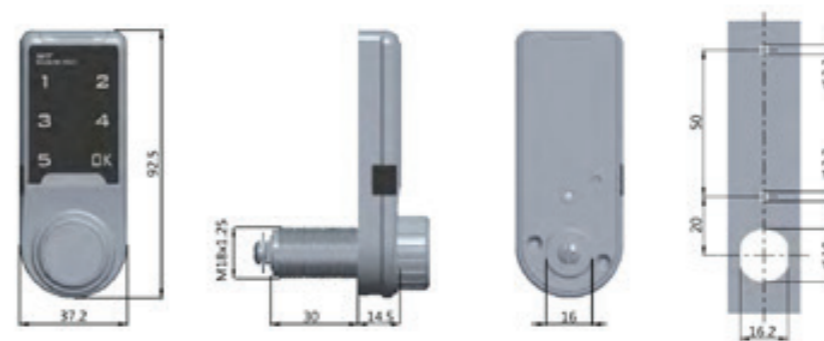
M-1603AK/BK

Features Benefits

- Touch pad button design, password can be consisted of 4-15 digits, billions of password available
- Password can be set and changed by users, and memorized automatically when power off.
- Button cell can be used for 3,000 times and replaced easily. Automatic power shortage prompts.
- Introduced with Anti-Theft Technology and Fake PIN password function
- Auto-alarm will be activated when input wrong password 4 times.
- Switch between public and private mode freely, with prompt function when lock been occupied.
- Decoder can be provided with Multilayer password management
- Material of body can be plastic or zinc alloy
- Both user password and management password available
- Mechanical laser key can be provided with Multilayer password management



Product Size



Fixing Hole Size

(Model)	(Specification)A	(Rotation)	(Function)	Applicable plate	
M-1603-AK (Zinc alloy)	16/20/30	90°	/	0.6~25mm	Direction of rotation
M-1603-BK (Plastic)	16/20/30	90°	/	0.6~25mm	Direction of rotation

M-1603AK/BK

BOTH METAL AND WOODEN

Material: Zinc alloy, ABS, Discs

Finish: Matt chrome plating

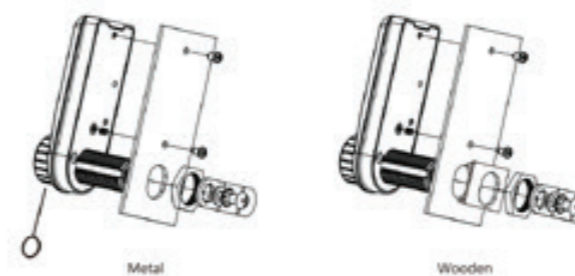
Suitable thickness: 0.6-25mm

*With invisible emergency opening

Patent No:
ZL201630422881.6 ZL201620859633.2
ZL201720049975.2



Installation Step



Optional Accessories





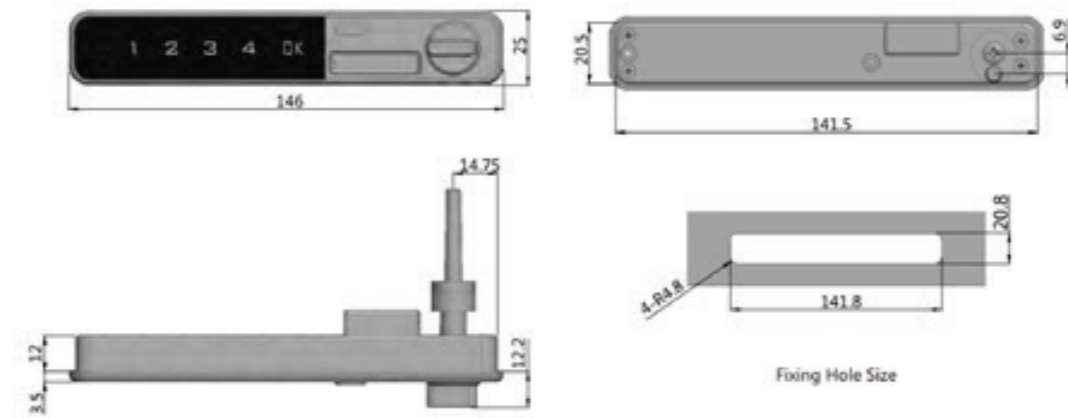
M-1604L/V

Features Benefits

- Touch pad button design, password can be consisted of 4-15 digits, billions of password available
- Password can be set and changed by users, and memorized automatically when power off
- Button cell can be used for 3,000 times and replaced easily. Automatic power shortage prompts
- Switch between public and private mode freely, with prompt function when lock been occupied
- Introduced with Anti-Theft Technology and Fake PIN password function
- Auto-alarm will be activated when input wrong password 4 times
- Decoder can be provided with Multilayer password management
- Both user password and management password available
- Various accessories can be provided, special function can be customized



Product Size



M-1604L/V

BOTH METAL AND WOODEN

Material: Zinc alloy, ABS, Discs

Finish: Painting, Matt chrome plating

Suitable thickness: 0.6-18mm

Patent No:
ZL201720147681.3
ZL201720049975.2



(Model)	(Specification)A	(Rotation)	(Function)	Applicable plate	
M-1604-L	Electronic password lock	90°/180°	/	0.6~20mm	Direction of rotation
M-1604-V	Electronic password lock	90°/180°	/	0.6~20mm	Direction of rotation

Installation Step



Optional Accessories





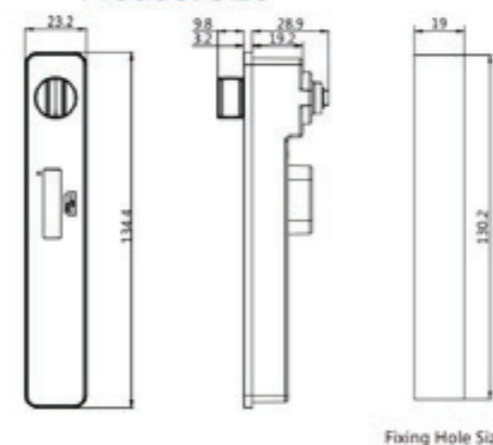
M-1604S

Features Benefits

- Condensing the core technology using advanced microelectronic technology and algorithms
- 5-key touch screen panel, the password can be any combination of 4-15 digits
- Users can set and change passwords, automatically save when power off and never lose garbled characters
- Button battery power supply, external easy-to-remove battery compartment, it is more convenient and quick to replace the battery
- Ultra-low power consumption design, the battery can be used more than 3000 times, with automatic prompt function of power shortage
- Private and public modes can be set by users themselves, and it is more convenient and safe to use in public environments
- Introduced with Anti-Theft Technology and Fake PIN password function
- Auto-alarm will be activated when input wrong password 4 times and lock the keyboard for 60 seconds
- Optional accessories to provide more personalized solutions for installation and use environments
- Equipped with hidden management mechanical key



Product Size



Fixing Hole Size

(Model)	(Specification)A	(Rotation)	(Function)	Applicable plate
M-1604S-L	Electronic password lock	90° /180°	/	Wooden board (16-20mm) Steel plate (0.6-2mm)
M-1604S-V	Electronic password lock	90°	/	Wooden board (16-20mm) Steel plate (0.6-2mm)
M-1604S-R	Electronic password lock	90° /180°	/	Wooden board (16-20mm) Steel plate (0.6-2mm)

M-1604S

BOTH METAL AND WOODEN

Material: Zinc alloy, ABS, Discs

Finish: Matt chrome plating

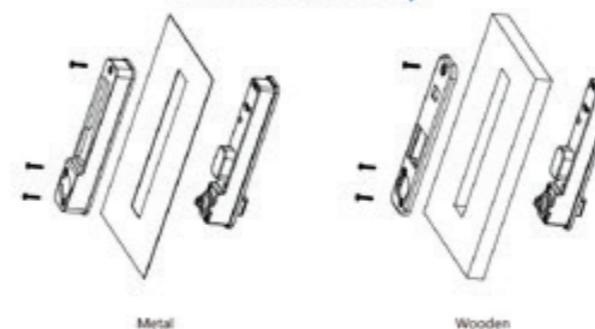
Suitable thickness: 0.6-18mm

Patent No:

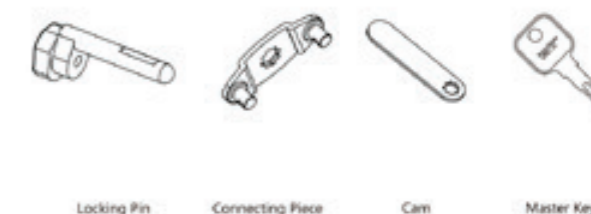
CN202010903422.5
CN202021872869.2
CN202030509706.7
CN202030372020.8



Installation Step



Optional Accessories





M-1606-00K0

BOTH METAL AND WOODEN

Material: Zinc alloy, ABS, PC

Finish: Painting, Matt chrome plating

Suitable thickness: 0.6-20mm

Patent No:
ZL201930054310.5



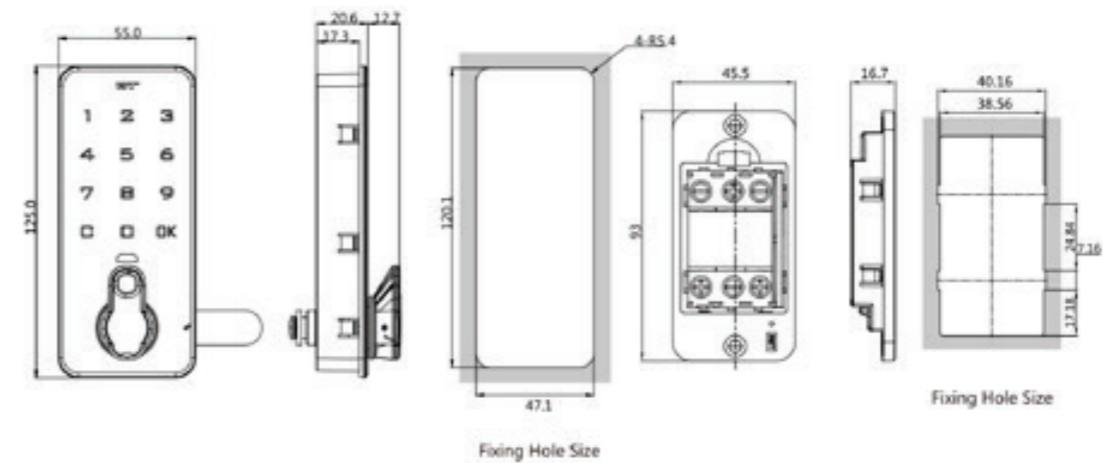
M-1606-00K0

Features Benefits

- Touch pad button design, password can be consisted of 4-15 digits, billions of password available
- Password can be set and changed by users, and memorized automatically when power off
- 3 pieces AAA batteries can be used for 10,000 times and replaced easily. Automatic power shortage prompts.
- Introduced with Anti-Theft Technology and Fake PIN password function
- Auto-alarm will be activated when input wrong password 4 times. Lock can be set with either 1 group or 2 groups of password to open.(once 2 groups of passwords mode selected, both groups of passwords have to be input to open)
- Switch between public and private mode freely, with prompt function when lock been occupied.
- Mechanical laser key can be provided with Multilayer password management
- Various accessories can be provided, special function can be customized
- Both user password and management password available

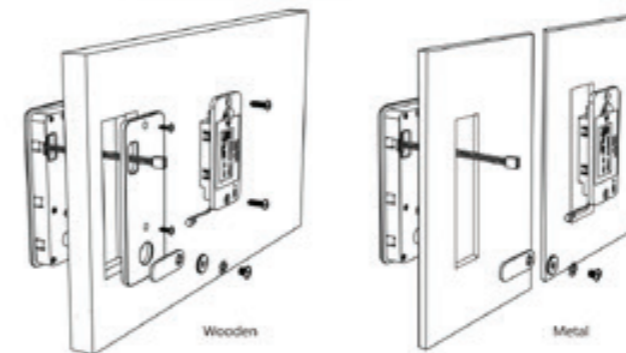


Product Size

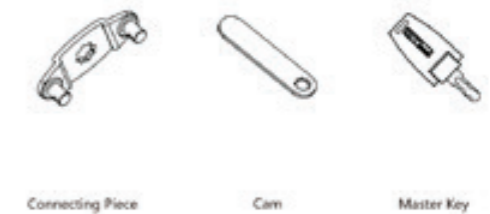


(Model)	(Specification)A	(Rotation)	(Function)	Applicable plate
M-1606-00K0	Electronic password lock	90°or180°	/	0.6-20mm

Installation Step



Optional Accessories





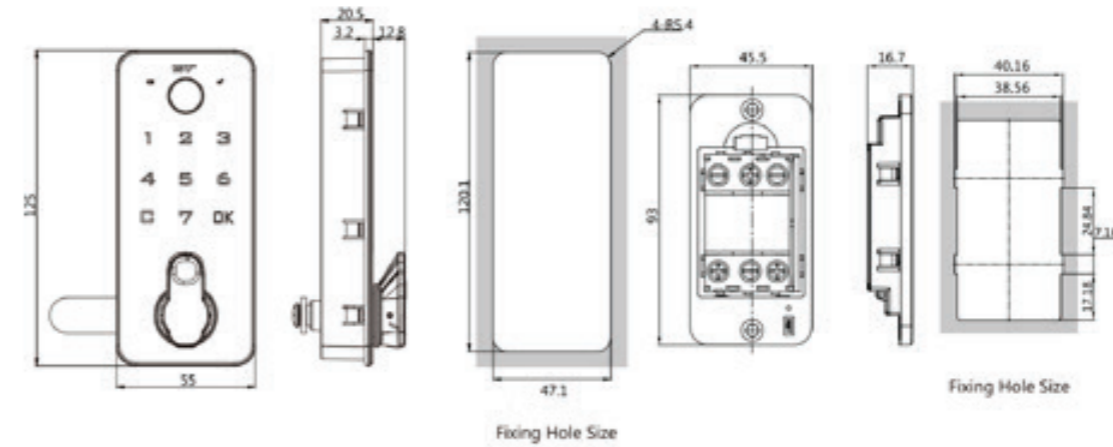
M-1606-00SF

Features Benefits

- Single fingerprint & double fingerprint opening both available
- 3 pieces AAA batteries can be used for 10,000 times and replaced easily. Automatic power shortage prompts.
- Auto-alarm will be activated when input wrong fingerprint 4 times.
- Switch between public and private mode freely, with prompt function when lock been occupied.
- Mechanical laser key can be provided with Multilayer password management
- Various accessories can be provided, special function can be customized
- Both user password and management password available
- Optional Bluetooth function, mobile APP management



Product Size



(Model)	(Specification)A	(Rotation)	(Function)	Applicable Plate
M-1606-00SF	Fingerprint password lock	90°or180°	/	0.6-20mm

M-1606-00SF

BOTH METAL AND WOODEN

Material: Zinc alloy, ABS, PC

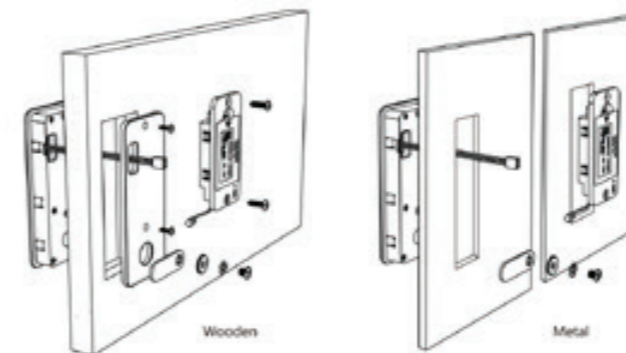
Finish: Painting, matt chrome plating

Suitable thickness: 0.6-20MM

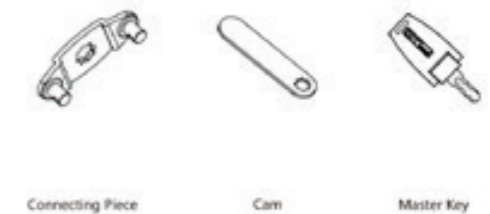
Patent No: ZL201920178100.1
With invisible emergency opening key



Installation Step



Optional Accessories





M-1607-00K0

BOTH METAL FURNITURE

Material: Zinc alloy, ABS, PC

Finish: Painting, matt chrome plating

Suitable thickness: 0.6-20MM

Patent No: ZL201930054030.4



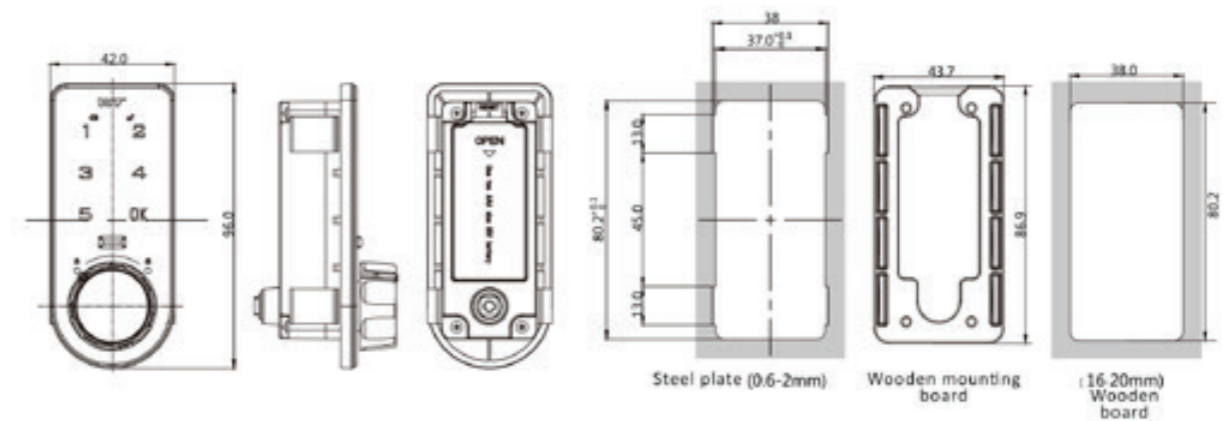
M-1607-00K0

Features Benefits

- Touch pad button design, password can be consisted of 4-15 digits, billions of password available
- Password can be set and changed by users, and memorized automatically when power off
- 2 pieces AAA batteries can be used for 10,000 times and replaced easily.
- Automatic power shortage prompts
- Introduced with Anti-Theft Technology and Fake PIN password function
- Auto-alarm will be activated when input wrong password 4 times
- Lock can be set with either 1 group or 2 groups of password to open.(once 2 groups of passwords mode selected, both groups of passwords have to be input to open)
- Switch between public and private mode freely, with prompt function when lock been occupied
- Mechanical laser key can be provided with Multilayer password management
- Various accessories can be provided, special function can be customized
- Both user password and management password available



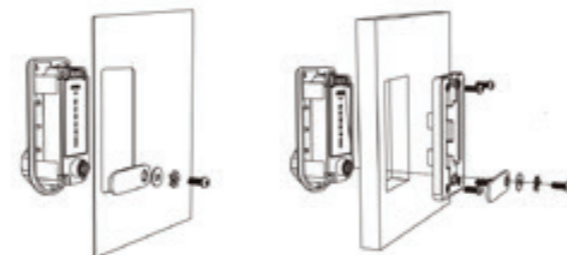
Product Size



(Model)	(Specification)A	(Rotation)	(Function)	Applicable Plate
M-1607-00K0	Electronic password lock	90°or180°	/	0.6-20mm

† Starting position
 † Rotating position
 † Direction of rotation

Installation Step



Made of steel

Optional Accessories



Connecting Piece

Cam

Master Key



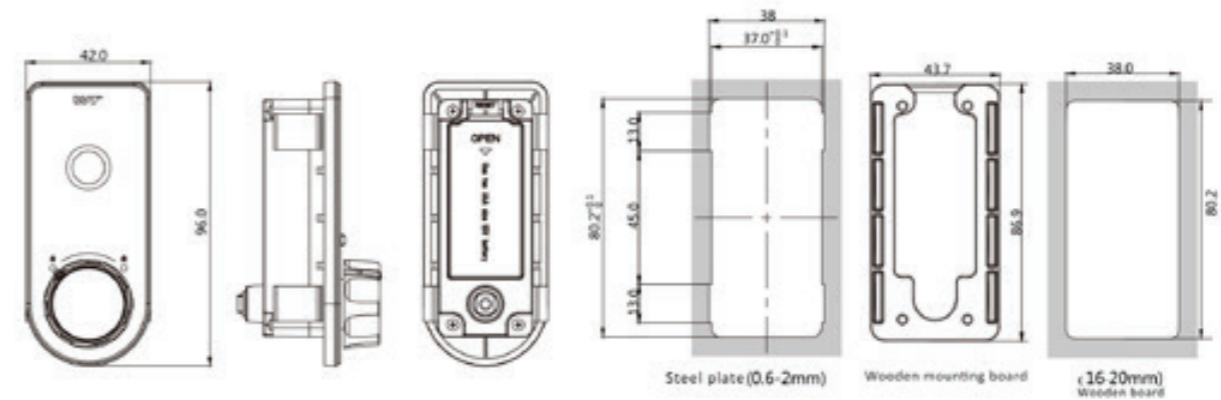
M-1607-00SF

Features Benefits

- Single fingerprint & double fingerprint opening both available
- 2 pieces AAA batteries can be used for 10,000 times and replaced easily. Automatic power shortage prompts.
- Auto-alarm will be activated when input wrong fingerprint 4 times.
- Mechanical laser key can be provided with Multilayer password management
- Various accessories can be provided, special function can be customized
- Optional Bluetooth function, mobile APP management



Product Size



(Model)	(Specification)A	(Rotation)	(Function)	Applicable plate
M-1607-00SF	Fingerprint password lock	90°or180°	/	0.6-20mm

direction of rotation

M-1607-00SF

FOR METAL FURNITURE

Material: Zinc alloy, ABS, PC

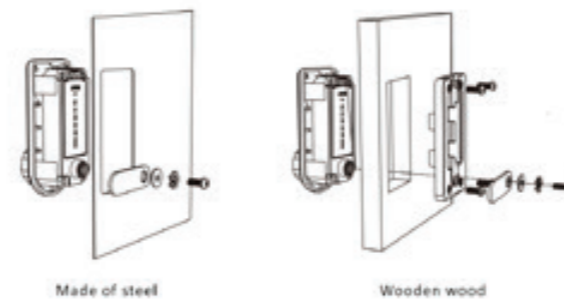
Finish: Painting, Matt chrome plating

Suitable thickness: 0.6-20mm

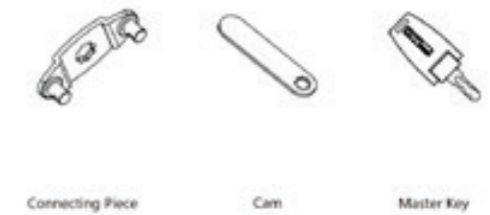
Patent No:
 ZL201930054030.4



Installation Step



Optional Accessories





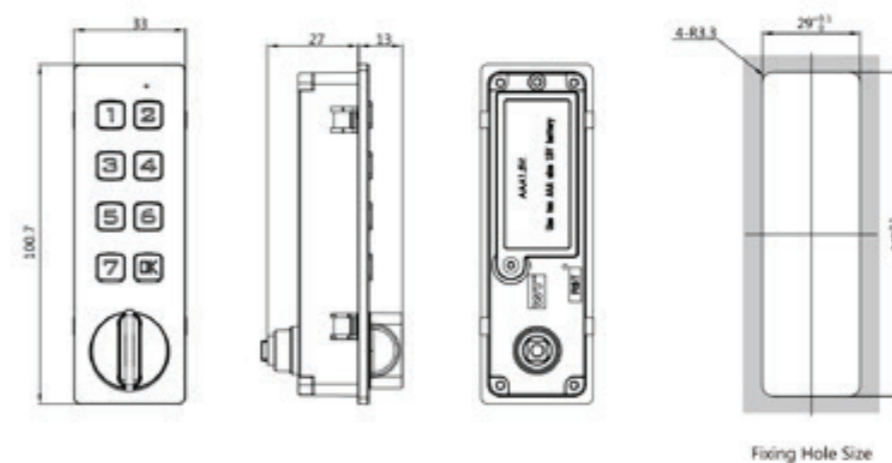
M-1609-00K0

Features Benefits

- Touch pad button design, password can be consisted of 4-15 digits, billions of password available
- Password can be set and changed by users, and memorized automatically when power off
- 2 pieces AAA batteries can be used for 10,000 times and replaced easily
- Automatic power shortage prompts
- Introduced with Anti-Theft Technology and Fake PIN password function
- Switch between public and private mode freely, with prompt function when lock been occupied
- Auto-alarm will be activated when input wrong password 4 times
- Various accessories can be provided, special function can be customized
- Both user password and management password available
- With emergent opening inner laser key



Product Size



(Model)	(Specification)A	(Rotation)	(Function)	Applicable plate
M-1609-00K0	Electronic password lock	90°or180°	/	0.6-20mm

Direction of rotation

M-1609-00K0

BOTH METAL AND WOODEN

Material: Zinc alloy, ABS, PC

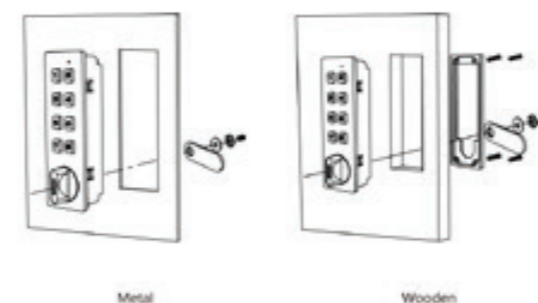
Finish: Zinc plating

Suitable thickness: 0.6-25mm

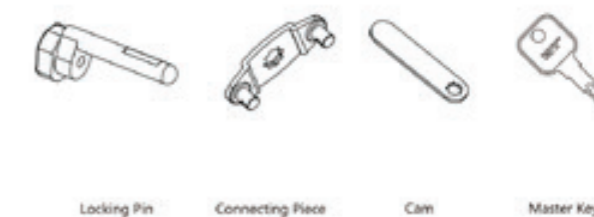
Patent No:
ZL201930172796.2



Installation Step



Optional Accessories





M-1609-00K1

Features Benefits

- Touch pad button design, password can be consisted of 4-15 digits, billions of password available
- Password can be set and changed by users, and memorized automatically when power off
- 2 pieces AAA batteries can be used for 10,000 times and replaced easily
- Automatic power shortage prompts
- Introduced with Anti-Theft Technology and Fake PIN password function
- Switch between public and private mode freely, with prompt function when lock been occupied
- Auto-alarm will be activated when input wrong password 4 times
- Various accessories can be provided, special function can be customized
- Both user password and management password available
- With emergent opening inner laser key
- Led backlight design



M-1609-00K1

BOTH METAL AND WOODEN

Material: Zinc alloy, ABS, PC

Finish: Zinc plating, Matt chrome plating

Suitable thickness: 0.6-25mm

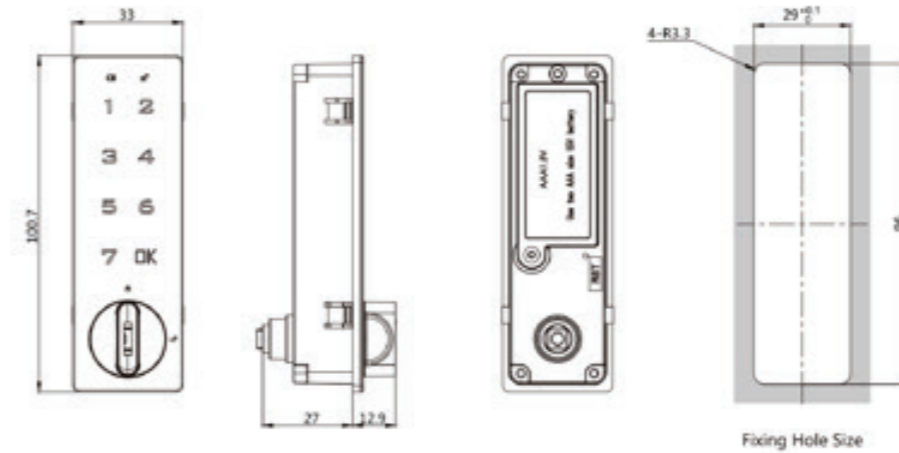
Patent No:
ZL201930172793.9
ZL201930167055.5



Led backlight design



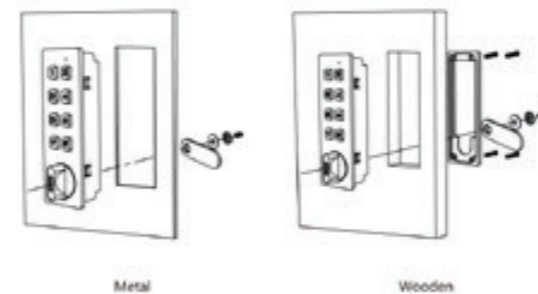
Product Size



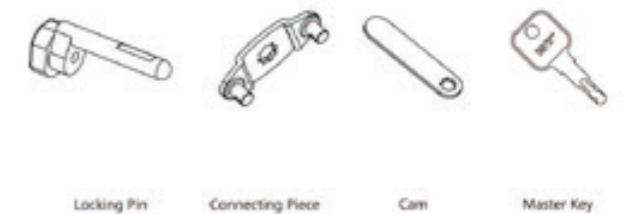
(Model)	(Specification)A	(Rotation)	(Function)	Applicable plate
M-1609-00K1	Electronic password lock	90°or180°	/	0.6-20mm



Installation Step



Optional Accessories





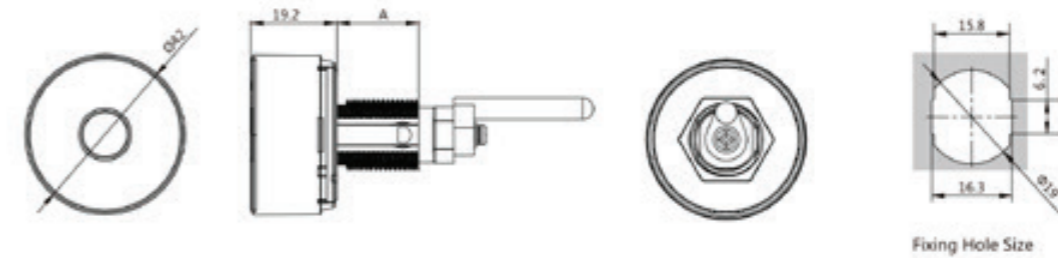
M-1610-00SF

Features Benefits

- Adopt the semiconductor fingerprint module of international high performance, high speed DSP processor
- Lock can be set with either 1 group or 2 groups of fingerprints to open (once 2 groups of fingerprints mode selected, both groups of fingerprints have to be input to open)
- Button cell can be used for 3000 times and replaced easily. Automatic power shortage prompts
- Auto-alarm will be activated when input wrong password 4 times
- Switch between public and private mode freely, with prompt function when lock been occupied
- Various accessories can be provided, special function can be customized
- Hidden design for battery & USB



Product Size



Fixing Hole Size

M-1610-00SF

BOTH METAL AND WOODEN

Material: Zinc alloy, ABS, PC

Finish: Matt chrome plating

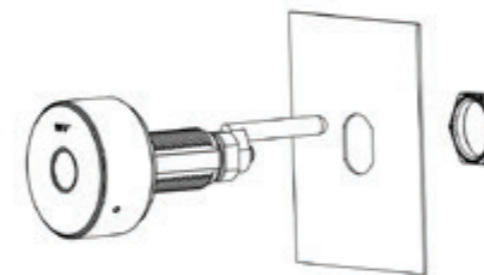
Suitable thickness: 0.6-25mm

Patent No:

ZL202020060276.X
ZL202030020224.5



Installation Step



Optional Accessories



Locking Pin

Connecting Piece

Cam

(Model)	(Specification)A	(Rotation)	(Function)	Applicable plate
M-1610-00SF-20	20mm	90°or180°	/	0.6-25mm
M-1610-00SF-30	30mm	90°or180°	/	0.6-25mm





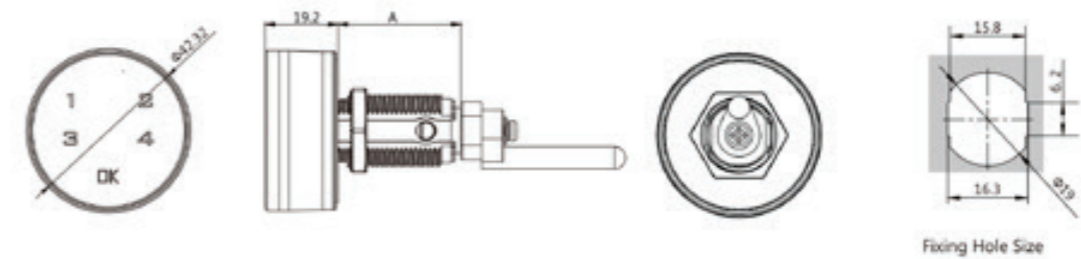
M-1610-00A0

Features Benefits

- Lock can be set with either 1 group or 2 groups of fingerprints to open (once 2 groups of fingerprints mode selected, both groups of fingerprints have to be input to open)
- Button cell can be used for 3000 times and replaced easily
- Automatic power shortage prompts
- Auto-alarm will be activated when input wrong password 4 times
- Switch between public and private mode freely, with prompt function when lock been occupied
- Various accessories can be provided, special function can be customized
- Hidden design for battery & USB
- Optional Bluetooth function, mobile APP management



Product Size



(Model)	(Specification)A	(Rotation)	(Function)	Applicable plate
M-1610-00A0-20	20mm	90°or180°	/	0.6-25mm
M-1610-00A0-30	30mm	90°or180°	/	0.6-25mm

M-1610-00A0

BOTH METAL AND WOODEN

Material: Zinc alloy, ABS, PC

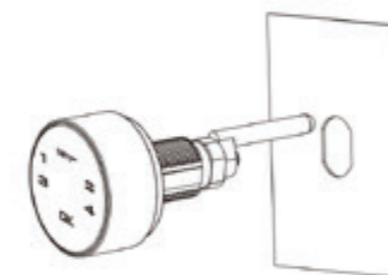
Finish: Matt chrome plating

Suitable thickness: 0.6-25mm

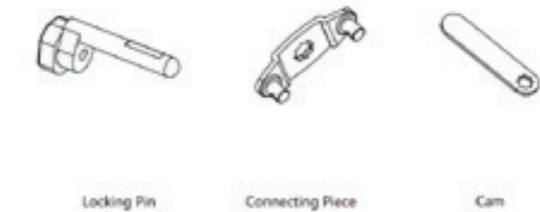
Patent No:
ZL202020060276.X
ZL202030020224.5



Installation Step



Optional Accessories





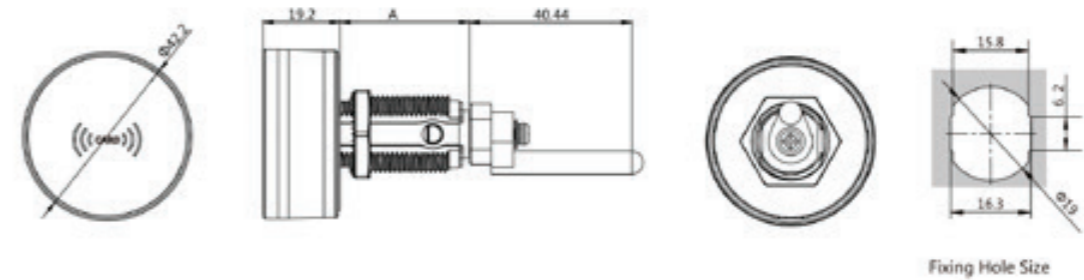
M-1610-001C

Features Benefits

- User setting and changeable card, power off automatically save, and the user can be converted
- Button cell can be used for 3,000 times and replaced easily. Automatic power shortage prompts
- Decoder can be provided with Multilayer password management
- Switch between public and private mode freely, with prompt function when lock been occupied



Product Size



Fixing Hole Size

(Model)	(Specification)A	(Rotation)	(Function)	Applicable plate
M-1610-001C	Swipe the card lock 20/30MM	90°/180°	/	0.6~25mm



M-1610-001C

BOTH METAL AND WOODEN

Material: Zinc alloy, ABS, Discs

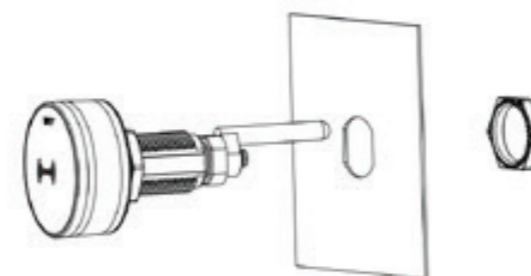
Finish: Matt chrome plating

Suitable thickness: 0.6-25mm

Patent No:
ZL201630422794.0 ZL201620859633.2
ZL201720147681.3 ZL201720049975.2



Installation Step



Optional Accessories





M-1701

BOTH METAL AND WOODEN

Material: ABS, Q235

Finish: Zinc plating

Suitable thickness: 0.6-20mm

Patent No:
ZL201720049975.2
ZL201720147681.3



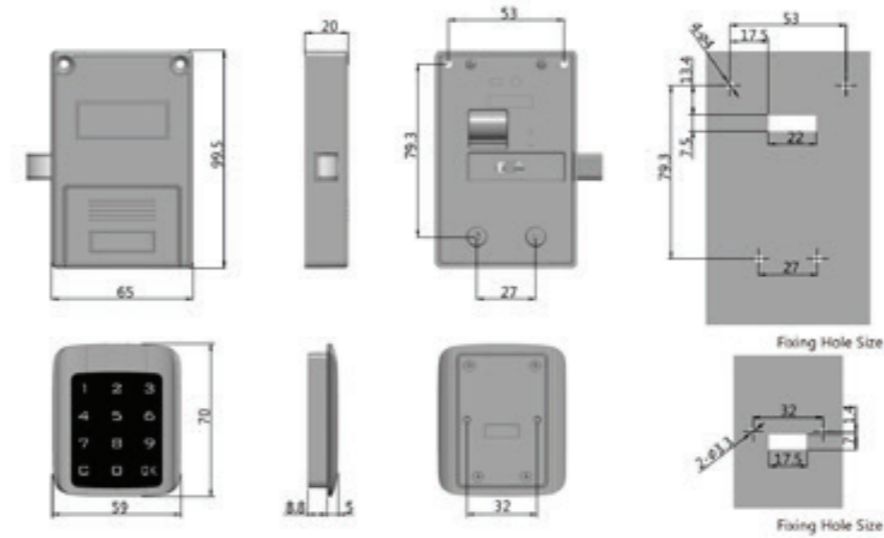
M-1701

Features Benefits

- Split type design for body and panel for different options.
- Automatic locking system, Can be operated either by card or password
- Touch pad button design, password can be consisted of 4-15 digits, billions of password available
- Password can be set and changed by users, and memorized automatically when power off.
- 3 pieces AAA batteries can be used for 10,000 times and replaced easily. Automatic power shortage prompts.
- Introduced with Anti-Theft Technology and Fake PIN password function
- Auto-alarm will be activated when input wrong password 4 times.
- Lock can be set with either 1 group or 2 groups of password to open.(once 2 groups of passwords mode selected, both groups of passwords have to be input to open)
- Switch between public and private mode freely, with prompt function when lock been occupied
- Decoder can be provided with Multilayer password management
- Various accessories can be provided, special function can be customized
- Both user password and management password available

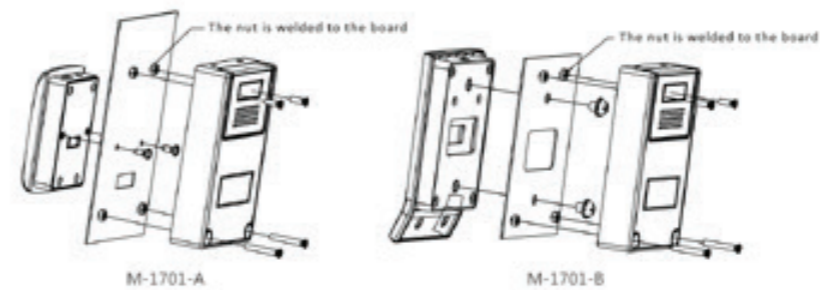


Product Size



(Model)	(Specification)A	(Rotation)	(Function)	Applicable plate
M-1701-A	Electronic password lock	/	/	0.6-20mm
M-1701-B	Swipe the card lock	/	/	0.6-20mm

Installation Step





M-1702-B

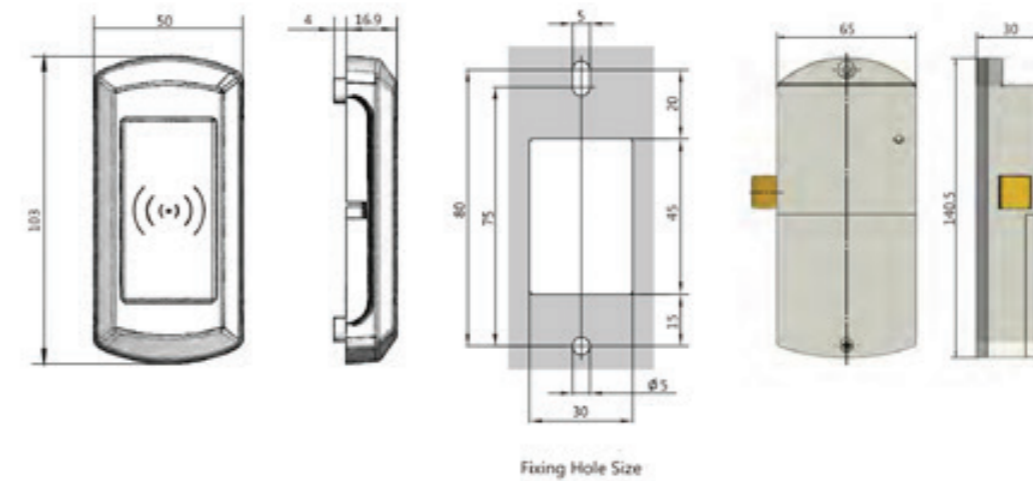
Back part for all M-1702/1703 SERIES

Features Benefits

- Split type design for body and panel for different options
- Both IC and ID system is optional
- Password can be set and changed by users, and memorized automatically when power off.
- 4 pieces AA batteries can be used for 10,000 times. Automatic power shortage prompts.
- 4 different cards : management card, main card, service card, guest card.
- Suitable for cabinet and locker are widely used in swimming centers, office filing cabinets, schools, hospitals, etc.
- emergency opening at low voltage situation
- Unique design, easy installation.
- Public mode is available, with prompt function when lock been occupied

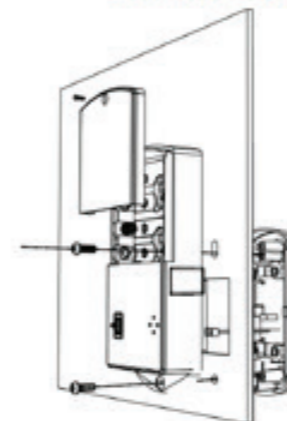


Product Size



(Model)	(Specification)A	(Rotation)	(Function)	Applicable plate
M-1702-B	Swipe the card lock	/	/	0.6-20mm

Installation Step



M-1702-B

FOR WOODEN, METAL AND PLASTIC FURNITURE
 CARD SERIES ELECTRONIC LOCK

Material: Zinc alloy, ABS, Q235

Finish: Gold plating, Chrome plating

Suitable thickness: 0.6-2.0mm

Patent No:
 CN201720049975.2





M-1702-E

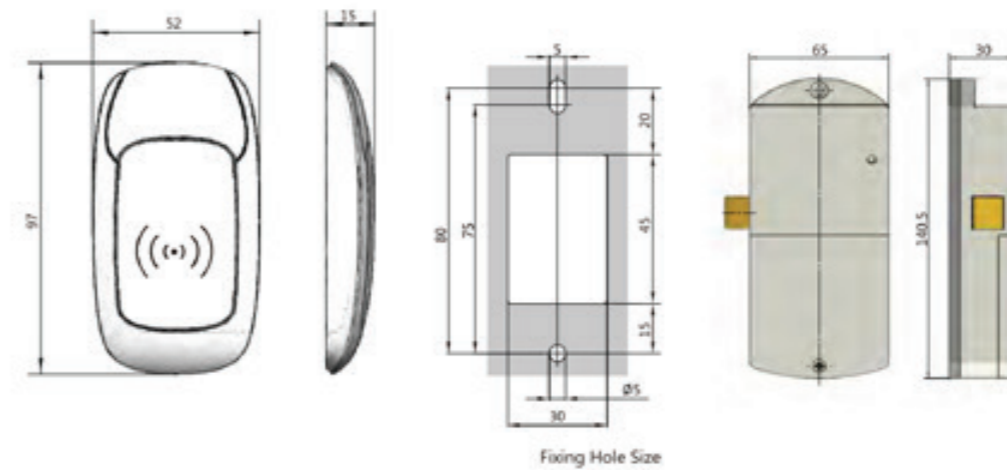
Back part for all M-1702/1703 SERIES

Features Benefits

- Split type design for body and panel for different options
- Both IC and ID system is optional
- Password can be set and changed by users, and memorized automatically when power off.
- 4 pieces AA batteries can be used for 10,000 times. Automatic power shortage prompts.
- 4 different cards : management card, main card, service card, guest card.
- Suitable for cabinet and locker are widely used in swimming centers, office filing cabinets, schools, hospitals, etc.
- emergency opening at low voltage situation
- Unique design, easy installation.
- Public mode is available, with prompt function when lock been occupied

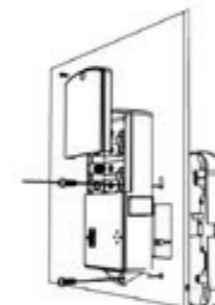


Product Size



(Model)	(Specification)A	(Rotation)	(Function)	Applicable plate
M-1702-F	Swipe the card lock	/	/	0.6-20mm

Installation Step



M-1702-E

FOR WOODEN, METAL AND PLASTIC FURNITURE
CARD SERIES ELECTRONIC LOCK

Material: Zinc alloy, ABS, PC

Finish: Gold imitation plating, Chrome plating

Suitable thickness: 0.6-2.0mm

Patent No:
CN201720049975.2





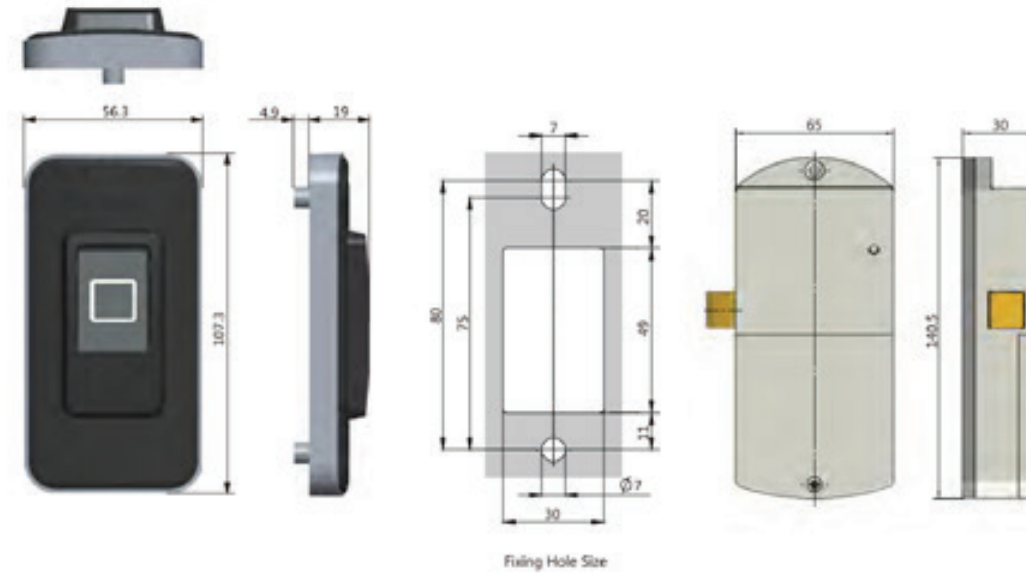
M-1703SF-B

Features Benefits

- Split type design for body and panel for different options
- 2-level management: 2 groups of master fingerprints and 8 groups user fingerprints
- Single fingerprint & double fingerprint opening both available
- 4 pieces AA batteries can be used for 10,000 times. Automatic power shortage prompts
- Switch between public and private mode freely, with prompt function when lock been occupied
- Adopt the semiconductor fingerprint module of international high performance, high speed DSP processor



Product Size



M-1703SF-B

FOR WOODEN, METAL AND PLASTIC FURNITURE

Material: Zinc alloy, ABS, PC

Finish: Chrome and matt chrome plating

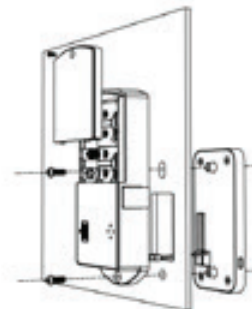
Suitable thickness: 0.6-2.0mm

Patent No:
CN201720049975.2



(Model)	(Specification)A	(Rotation)	(Function)	Applicable plate
M-1703SF-B	Electronic password lock	/	/	0.6-20mm

Installation Step





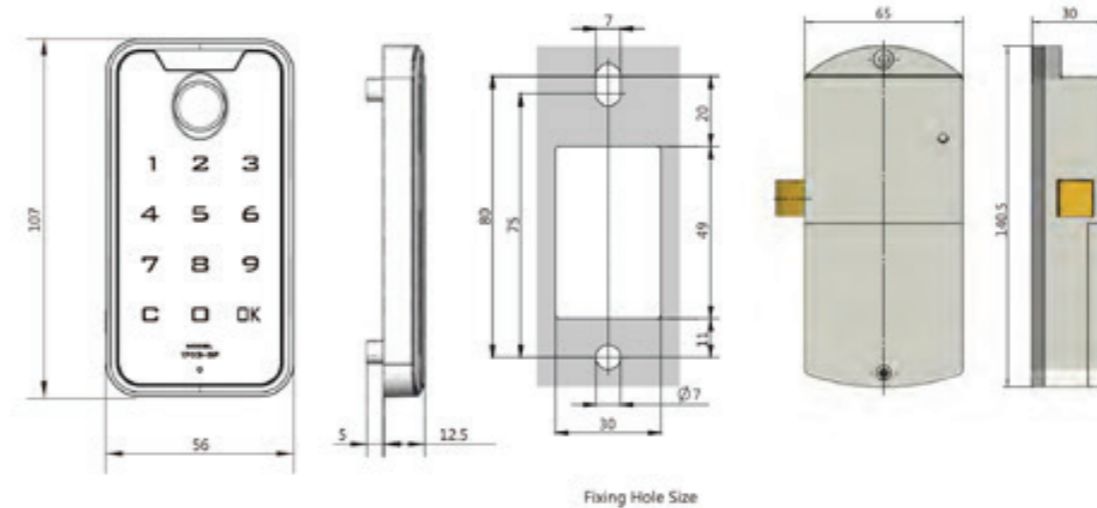
M-1703-SF

Features Benefits

- An international high performance, high speed DSP processor's semiconductor fingerprint module.
- Split type design for body and panel for different options.
- Single fingerprint & double fingerprint opening both available .
- 4 pieces AA batteries can be used for 10,000 times, Automatic power shortage prompts.
- Unique design, easy installation.
- Both user password and management password available.
- Optional Bluetooth function, mobile APP management



Product Size



Fixing Hole Size

(Model)	(Specification)A	(Rotation)	(Function)	Applicable plate
M-1703-SF	Electronic password lock	/	/	0.6-20mm

M-1703-SF

FOR WOODEN, METAL AND PLASTIC FURNITURE

Material: Zinc alloy, ABS, PC

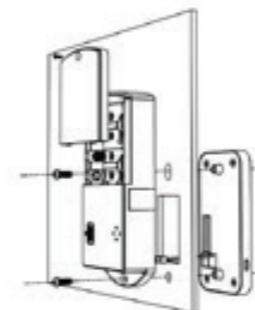
Finish: Chrome and matt chrome plating

Suitable thickness: 0.6-2.0mm

Patent No:
CN201720049975.2



Installation Step





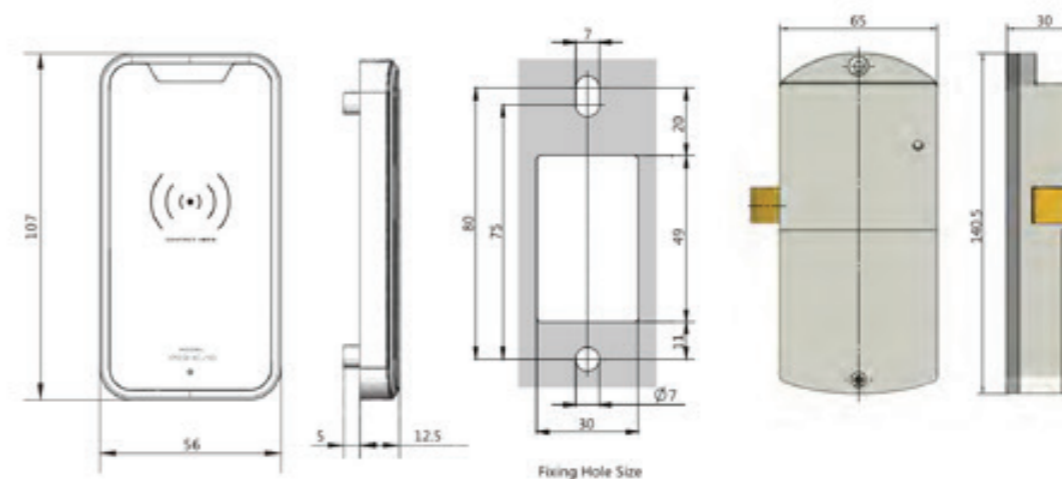
M-1703-IC/ID

Features Benefits

- Split type design for body and panel for different options.
- Both IC and ID system is optional.
- 4 different cards : management card, main card, service card, guest card.
- Password can be set and changed by users, and memorized automatically when power off
- 4 pieces AA batteries can be used for 10,000 times. Automatic power shortage prompts.
- emergency opening at low voltage situation.
- Unique design, easy installation.
- Switch between public and private mode freely, with prompt function when lock been occupied.
- Optional Bluetooth function, mobile APP management



Product Size



(Model)	(Specification)A	(Rotation)	(Function)	Applicable plate
M-1703-IC/ID	Electronic password lock	/	/	0.6-20mm

M-1703-IC/ID

FOR WOODEN, METAL AND PLASTIC FURNITURE

Material: Zinc alloy, ABS, PC

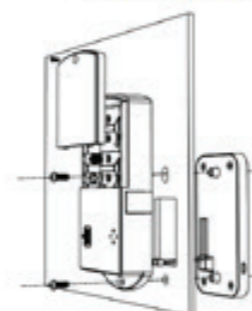
Finish: Chrome and matt chrome plating

Suitable thickness: 0.6-20mm

Patent No:
CN201720049975.2



Installation Step





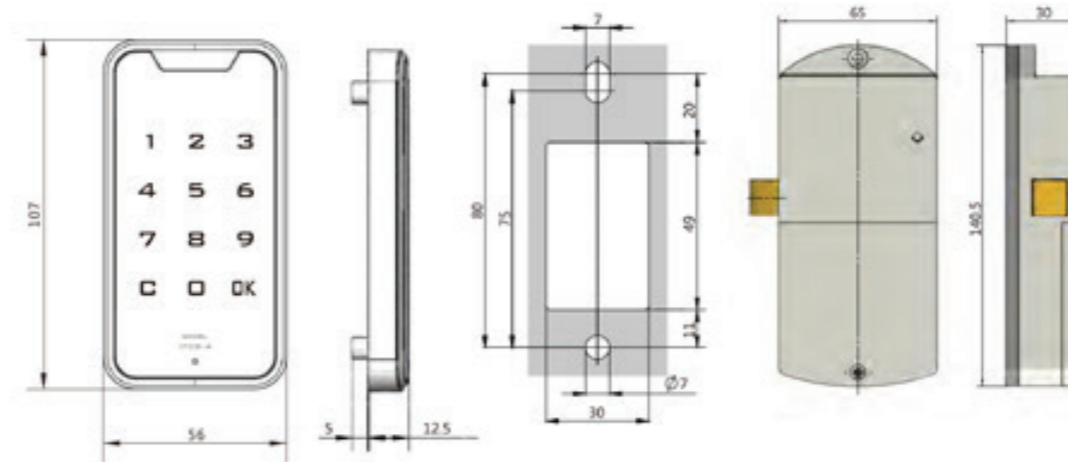
M-1703-A

Features Benefits

- Split type design for body and panel for different options
- Automatic locking system
- Touch pad button design, password can be consisted of 4-15 digits, billions of password available
- Password can be set and changed by users, and memorized automatically when power off
- 4 pieces AA batteries can be used for 10,000 times, Automatic power shortage prompts.
- Introduced with Anti-Theft Technology and Fake PIN password function
- Auto-alarm will be activated when input wrong password 4 times.
- Lock can be set with either 1 group or 2 groups of password to open.(once 2 groups of passwords mode selected, both groups of passwords have to be input to open)
- Switch between public and private mode freely Automatic power shortage prompts.
- Various accessories can be provided, special function can be customized
- Both user password and management password available



Product Size



Fixing Hole Size

(Model)	(Specification)A	(Rotation)	(Function)	Applicable plate
M-1703-A	Electronic password lock	/	/	0.6-20mm

M-1703-A

FOR WOODEN, METAL AND PLASTIC FURNITURE

Material: Zinc alloy, ABS, PC

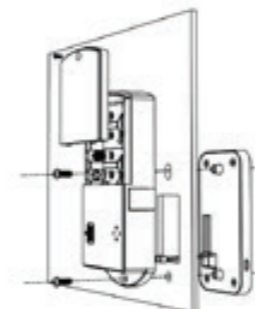
Finish: Chrome and matt chrome plating

Suitable thickness: 0.6-20mm

Patent No:
CN201720049975.2



Installation Step





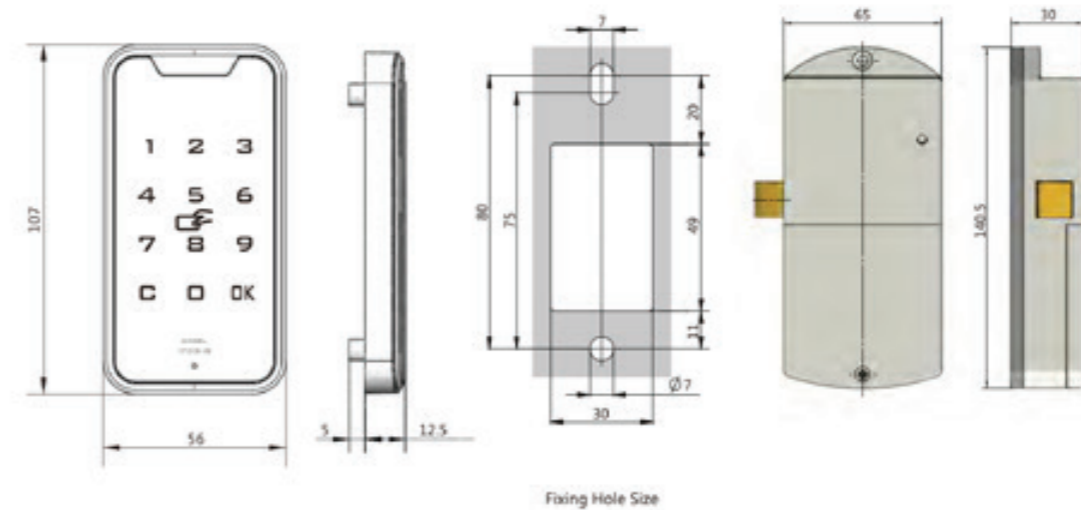
M-1703-B

Features Benefits

- Split type design for body and panel for different options
- Automatic locking system
- Touch pad button design, password can be consisted of 4-15 digits, billions of password available
- Can be operated by card
- Password can be set and changed by users, and memorized automatically when power off
- 4 pieces AA batteries can be used for 10,000 times. Automatic power shortage prompts.
- Introduced with Anti-Theft Technology and Fake PIN password function
- Auto-alarm will be activated when input wrong password 4 times.
- Lock can be set with either 1 group or 2 groups of password to open.(once 2 groups of passwords mode selected, both groups of passwords have to be input to open)
- Various accessories can be provided, special function can be customized
- Both user password and management password available



Product Size



(Model)	(Specification)A	(Rotation)	(Function)	Applicable plate
M-1703-B	IC card + password	/	/	0.6-20mm

Installation Step



M-1703-B

FOR WOODEN, METAL AND PLASTIC FURNITURE

Material: Zinc alloy, ABS, PC

Finish: Chrome and matt chrome plating

Suitable thickness: 0.6-20mm

Patent No:
CN201720049975.2





M-1708-00IC/ID

FOR WOODEN, METAL AND PLASTIC FURNITURE
HIDDEN INTEGRATED CARD LOCK

Material: Zinc alloy, ABS

Finish: Zinc plating

Suitable thickness: 0.6-18mm

Patent No:
ZL201720049975.2 ZL201920178648.6
ZL201930054309.2 ZL201930054052
ZL201930054308.8



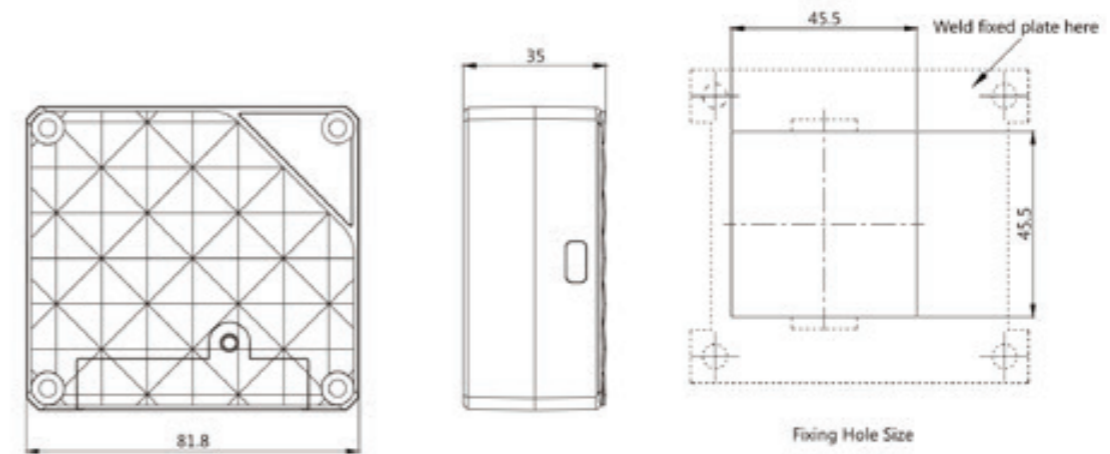
M-1708-00IC/ID

Features Benefits

- Concealed installation, more artistic and stylish
- Split type design for body and panel for different options
- Automatic locking system
- Both IC and ID system is optional
- Password can be set and changed by users, and memorized automatically when power off
- 3 pieces AAA batteries can be used for 10,000 times. Automatic power shortage prompts.
- With the function of management card- Main card-Guest card
- Unique design, easy installation.
- Optional Bluetooth function, mobile APP management

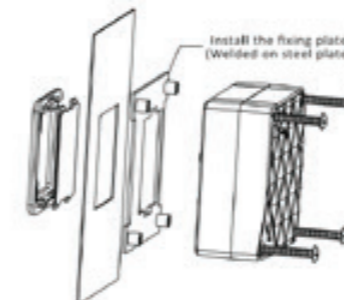


Product Size



(Model)	(Specification)A	(Rotation)	(Function)	Applicable plate
M-1708-IC/ID	Swipe the card lock	/	/	0.6-18mm

Installation Step





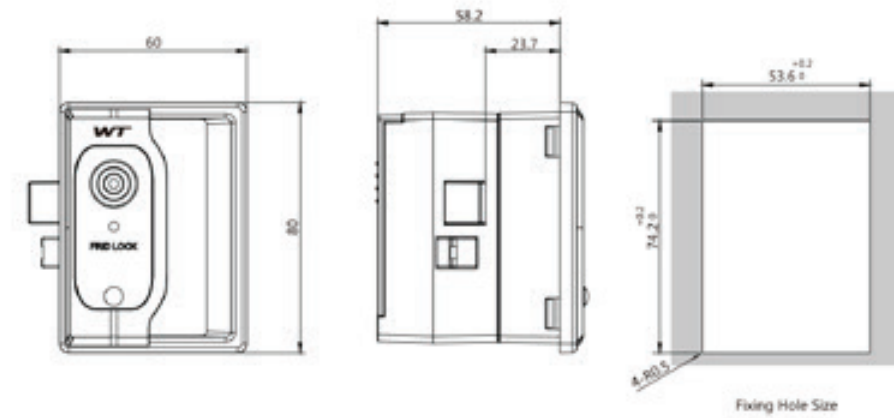
M-1801-001C/ID

Features Benefits

- Touch pad button design, password can be consisted of 6-15 digits, billions of password available
- Integrated structural design, suitable for a variety of use environment and custom requirements
- Automatic locking system
- Both IC and ID system is optional
- With the function of management card- Main card-Guest card
- Password can be set and changed by users, and memorized automatically when power off.
- 3 pieces AA batteries can be used for 10,000 times. Automatic power shortage prompts.
- Auto-alarm will be activated when input wrong password 4 times.
- Lock can be set with either 1 group or 2 groups of password to open.(once 2 groups of passwords mode selected, both groups of passwords have to be input to open)
- Both Private mode and public mode users available, with occupation prompt function
- Various accessories can be provided, special function can be customized

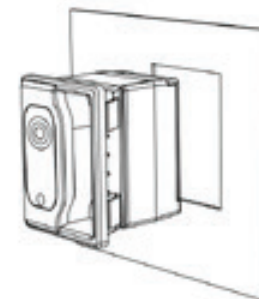


Product Size



(Model)	(Specification)A	(Rotation)	(Function)	Applicable plate
M-1801-001C/ID	Style electronic password lock	/	/	0.6-20mm

Installation Step



M-1801-001C/ID

FOR METAL AND PLASTIC FURNITURE

Material: ABS

Finish: Chrome plating

Suitable thickness: 0.6-20mm

Patent No:

ZL201720049975.2 ZL201830148414.8
71 201820516538.1





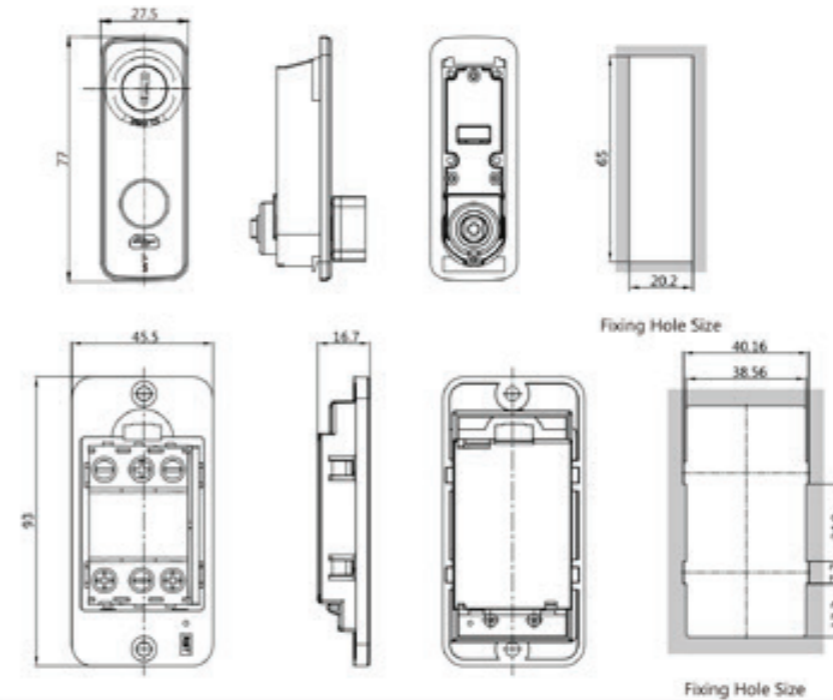
M-1811-00SF



Features Benefits

- Touch pad button design, password can be consisted of 6-15 digits, billions of password available
- An international high performance, high speed optical fingerprint module
- Single fingerprint & double fingerprint opening both available
- 3 pieces AAA batteries can be used for 10,000 times, 9V emergency battery can be applied when battery is out of power. Automatic power shortage prompts.
- Auto-alarm will be activated when input wrong password 4 times.
- With emergency opening key
- Various accessories can be provided, special function can be customized
- With red and green switch prompt function
- Optional Bluetooth function, mobile APP management

Product Size



(Model)	(Specification)A	(Rotation)	(Function)	Applicable plate
M-1811-00SF	Finger prints lock	90°or180°	/	0.6-20mm

Direction of rotation: Direction of rotation

M-1811-00SF

BOTH METAL AND WOODEN

Material: Zinc alloy, ABS, PC

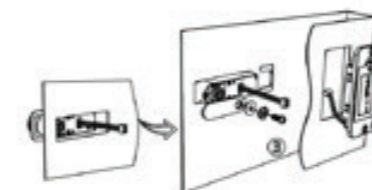
Finish: Zinc plating

Suitable thickness: 0.6-20mm

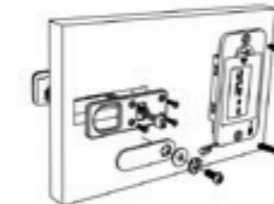
Patent No:
ZL201930054048.4
ZL201930054306.9



Installation Step



Made of steel



Wooden wood

Optional Accessories



Locking Pin

Connecting Piece

Cam

Master Key



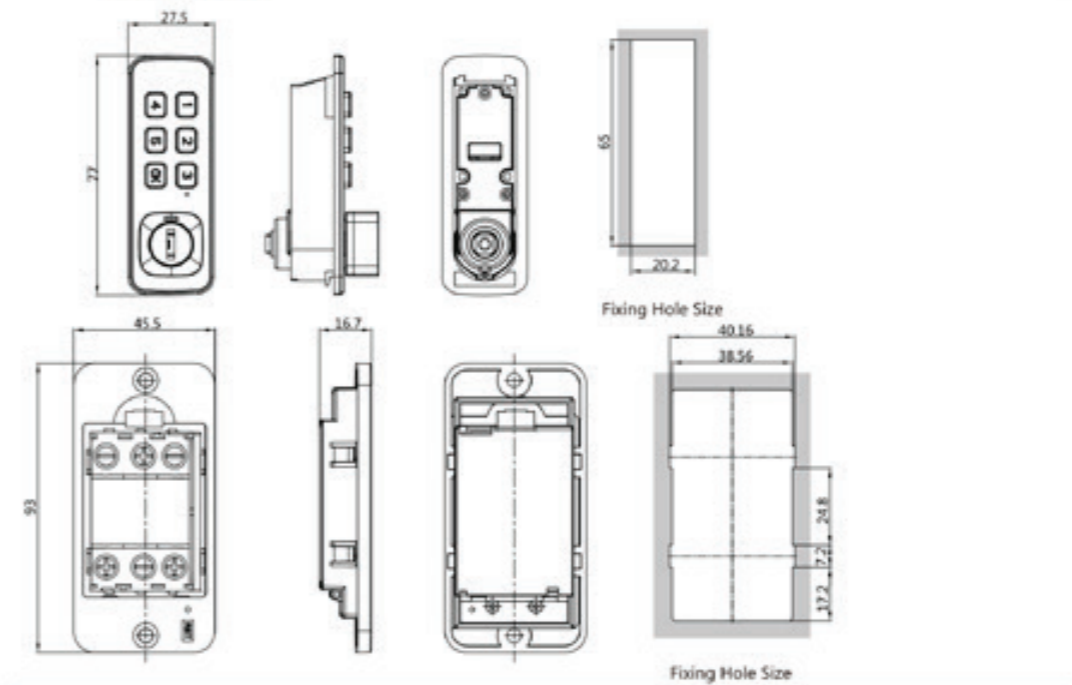
M-1811-00K1

Features Benefits

- Touch pad button design, password can be consisted of 6-15 digits, billions of password available
- Password can be set and changed by users, and memorized automatically when power off
- 3 pieces AAA batteries can be used for 10,000 times, 9V emergency battery can be applied when battery is out of power. Automatic power shortage prompts.
- Auto-alarm will be activated when input wrong password 4 times.
- With emergency opening key
- Various accessories can be provided, special function can be customized



Product Size



(Model)	(Specification)	(Rotation)	(Function)	Applicable plate
M-1811-00K1	Electronic password lock	90°or180°	/	0.6-20mm

M-1811-00K1

BOTH METAL AND WOODEN

Material: Zinc alloy, ABS, PC

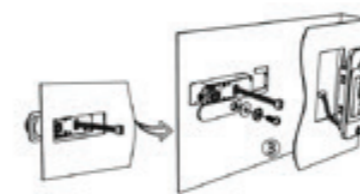
Finish: Zinc plating

Suitable thickness: 0.6-20mm

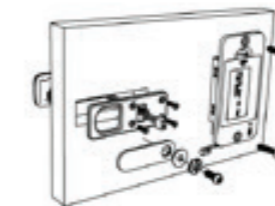
Patent No:
ZL201930054048.4
ZL201930054306.9



Installation Step



Made of steel



Wooden wood

Optional Accessories



Locking Pin

Connecting Piece

Cam

Master Key



M-1901-00SF

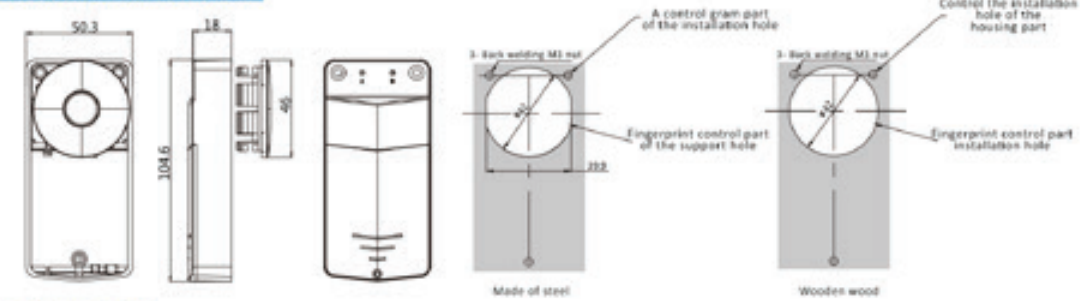
Features Benefits

- Condensing core technology, creative design and implementation of the mechanism, using advanced microelectronics technology, algorithms and advanced sensors. Fully automatic functions
- Wireless automatic lock, one controller matches various lock body
- One controller matches one lock body also available
- High performance and high speed DSP processor Semiconductor fingerprint module
- Ultra-low power design, automatic power shortage prompts
- When the battery in low voltage condition, you can connect the USB port with an external power supply
- Automatic three positions locking body
- Optional Bluetooth function, mobile APP management

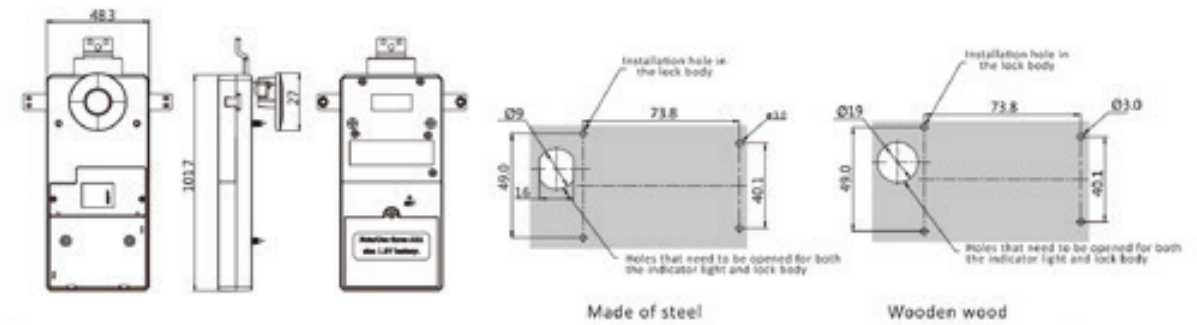


Product Size

M-1901/code Version Control Panel



M-1901/main Body



(Model)	(Specification)A	(Rotation)	(Function)	Applicable plate
M-1901-SF01	One control, one fingerprint fully automatic lock	/	Three lock points	0.6-20mm
M-1901-SF02	One control, multi-fingerprint fully automatic lock	/	Three lock points	0.6-20mm

M-1901-00SF

BOTH METAL AND WOODEN

Material: Zinc alloy, ABS, PC

Finish: Zinc plating

Suitable thickness: 0.6-20mm

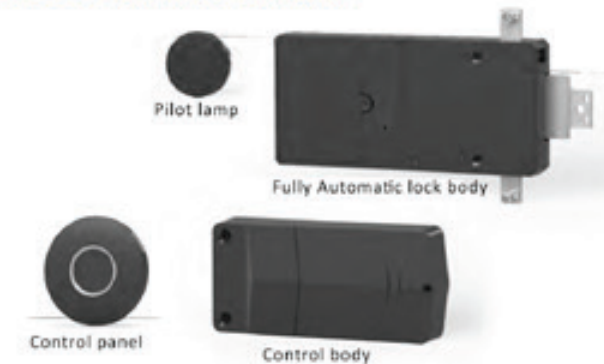
Patent No:
ZL201930236379.X ZL201930367731.3
ZL201930367736.6 ZL201930367737.0



CONTROL ONE PRODUCT DIAGRAM



MULTI-PRODUCT SCHEMATIC DIAGRAM





M-1902-00SF

BOTH METAL AND WOODEN

Material: Zinc alloy, ABS, PC

Finish: Zinc plating

Suitable thickness: 0.6-20mm

Patent No:
ZL201930367731.3 ZL201930236380.2
ZL201930341000.1



M-1902-00SF

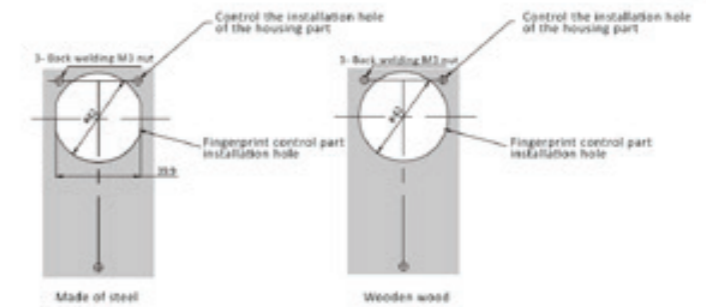
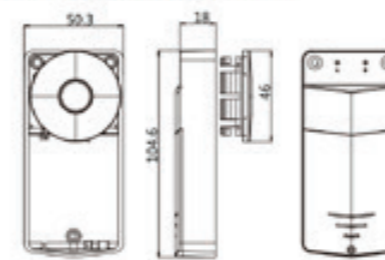
Features Benefits

- Condensing core technology, creative design and implementation of the mechanism, using advanced microelectronics technology, algorithms and advanced sensors. Fully automatic functions
- High performance and high speed DSP processor Semiconductor fingerprint module
- Adopt high reduction ratio motor, metal surface gear and spur gear to realize the lock body automatic technology
- Wireless automatic lock, one controller matches various lock body also one lock body
- Split type design for controller and lock body for different options
- Ultra-low power design, 2 pieces AAA batteries for lock body can be used for 10,000 times
- One button to switch lock body from left/right to right/left
- Optional Bluetooth function, mobile APP management

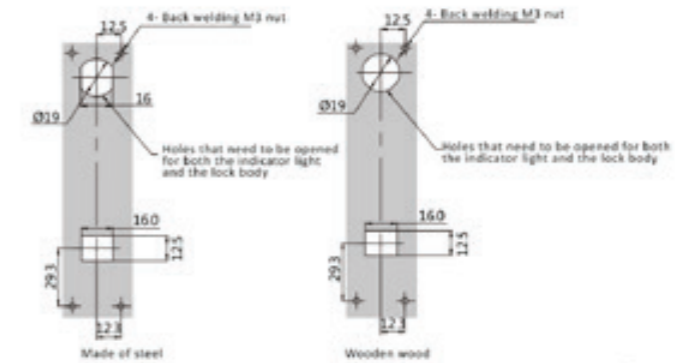
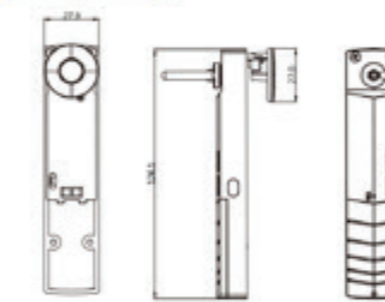


Product Size

M-1902/code Version Control Panel



M-1902/main Body



(Model)	(Specification)A	(Rotation)	(Function)	Applicable Plate	
M-1902-SF01	One control, one fingerprint fully automatic lock	180°	Fully automatic rotary lock body	0.6-20mm	Direction of rotation
M-1902-SF02	One control, one fingerprint fully automatic lock	180°	Fully automatic rotary lock body	0.6-20mm	Direction of rotation

ONE CONTROL, ONE PRODUCT DIAGRAM



SCHEMATIC DIAGRAM OF MULTI PRODUCT CONTROL





M-1903-00SF

BOTH METAL AND WOODEN

Material: Zinc alloy, ABS, PC

Finish: Zinc plating

Suitable thickness: 0.6-20mm

Patent No:
ZL201930346375.7 ZL201930367731.3
ZL201930341001.6



WT-M-1903-00SF

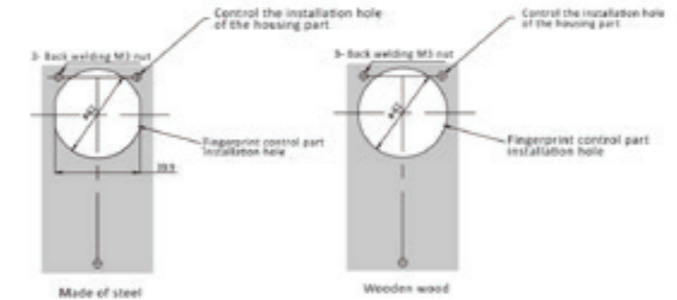
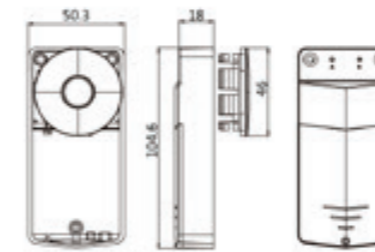
Features Benefits

- Condensing core technology, creative design and implementation of the mechanism, using advanced microelectronics technology, algorithms and advanced sensors. Fully automatic functions
- Wireless automatic lock, one controller matches various lock body
- One controller matches one lock body also available
- High performance and high speed DSP processor Semiconductor fingerprint module
- Ultra-low power design, automatic power shortage prompts
- When the battery in low voltage condition, you can connect the USB port with an external power supply
- Automatic three positions locking body
- Optional Bluetooth function, mobile APP management

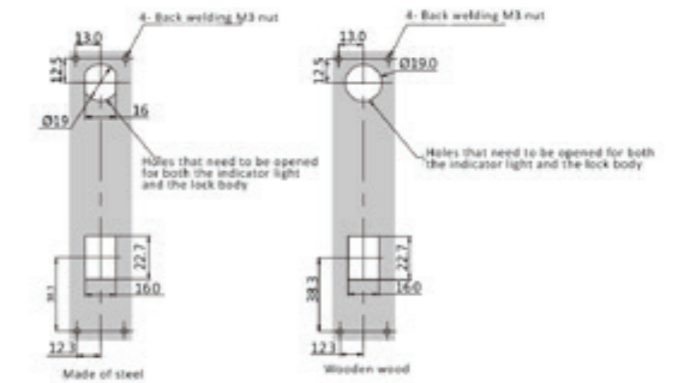
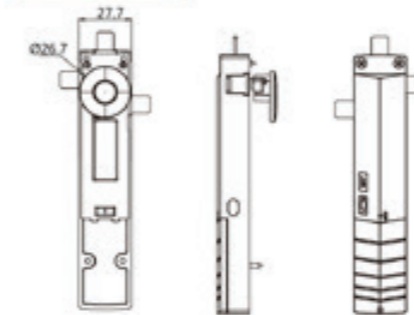


Product Size

M-1903/code Version Control Panel



M-1903/main Body



(Model)	(Specification)A	(Rotation)	(Function)	Applicable Plate
M-1903-SF01	One control, one fingerprint fully automatic lock	/	Three lock points	0.6-20mm
M-1903-SF02	Fully automatic lock for multi-fingerprint control	/	Three lock points	0.6-20mm

ONE CONTOL, ONE PRODUCT DIAGRAM



SCHEMATIC DIAGRAM OF MULTI PRODUCT CONTROL

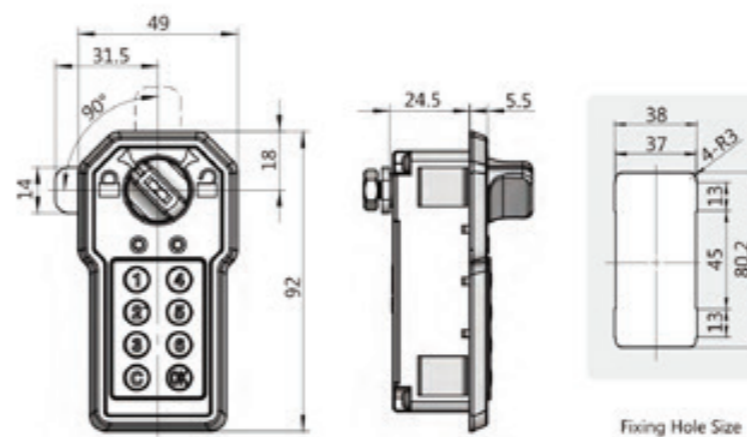




9501S



Patent No: ZL200920116278.X
ZL201720049975.2



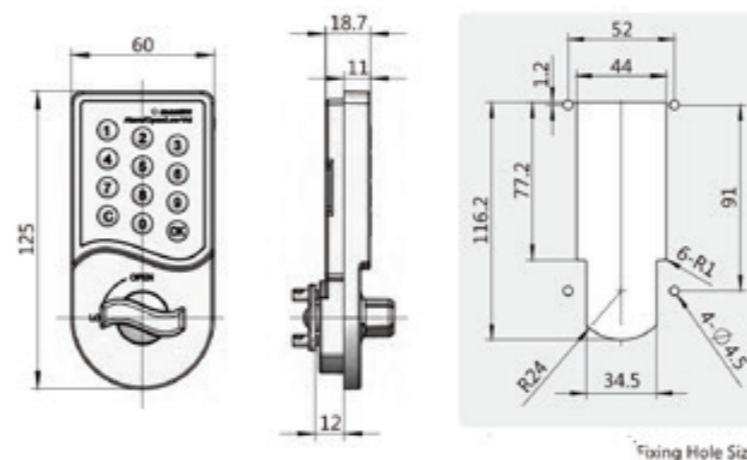
Features&Benefits

- Password can be consisted of 4-12 digits, billions of password available
- 2 pieces AAA batteries, can be used for 10,000 times
- Automatic power shortage prompts
- Auto-alarm will be activated when input wrong password 4 times
- Emergency key is available

9510



Patent No: ZL201330404483.8
ZL201720049975.2



Features&Benefits

- Password can be consisted of 4-12 digits, billions of password available
- Password can be set and changed by users, and memorized automatically when power off
- 4 pieces AA batteries, can be used for 10,000 times
- Automatic power shortage prompts
- Auto-alarm will be activated when input wrong password 4 times
- Emergency battery can be applied when battery is out of power



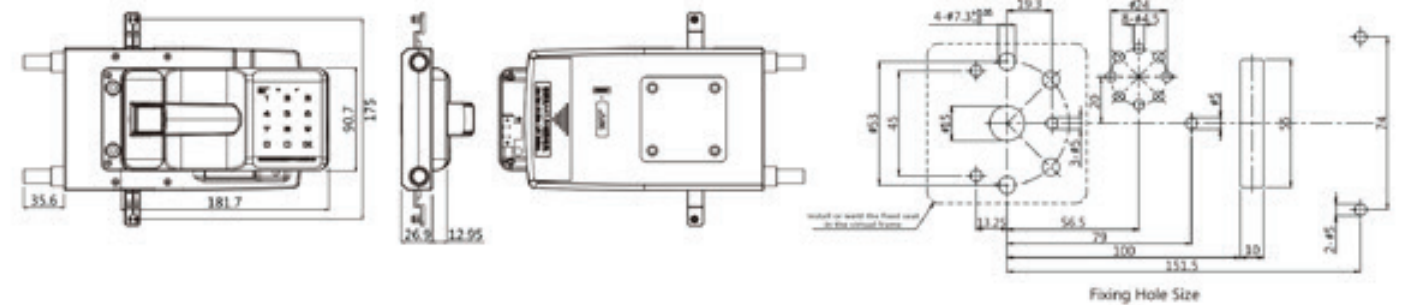
M-2205-00A0

Features Benefits

- 12-key touch keys, giving users a more extreme experience, the password is any combination of 8-15 digits, and the number of keys reaches tens of millions
- Modular design, users can choose different functions and unlocking methods according to different use environments, the optional modules are: capacitive living fingerprint, LCD screen; optional material plastic and alloy for handle
- Certified by the State Security Bureau; CE certification; National quality inspection and certification
- The user sets and changes the password, automatically saves when the power is turned off, and never loses garbled characters
- Built-in 4 AA batteries for power supply, Type-C interface for emergency power supply, ultra-low power consumption design, battery life of 10,000 times, automatic reminder when power is insufficient
- Introduced with Anti-Theft Technology and Fake PIN password function
- Auto-alarm will be activated when input wrong password 4 times
- Double verification can be selected for better security
- The outer control panel is separated from the inner lock body to alarm, when cabinet being moved abnormally and knocked, it will alarm loudly.
- Install overload protection mechanism with independent intellectual property rights
- Optional record saving function, with record downloader can download 10,000 records



Product Size



M-2205-00A0 NEW

BOTH METAL AND SECURITY CABINET

Material: Zinc alloy, ABS, PC

Finish: Chrome and matt chrome plating, painting

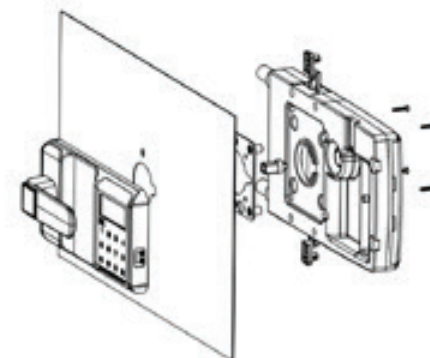
Suitable thickness: 0.6-3mm

Patent No: CN202130852121.X



(Model)	(Specification)A	(Rotation)	(Function)	Applicable Plate	
M-2205-00A0	Electronic Security Cabinet lock	/	/	0.6-3mm	
M-2205-SF	Fingerprint security cabinet lock	/	/	0.6-3mm	
M-2205SF-CL	Fingerprint security cabinet lock	/	/	0.6-3mm	
M-2205-SFR	Fingerprint security cabinet lock	/	/	0.6-3mm	
M-2205-B	Fingerprint security cabinet lock	/	/	0.6-3mm	

Installation Step



M-2205-SFR NEW

Patent No: CN202130852121.X



Features&Benefits

- Adopt international high-performance, self-learning fingerprint module
- Split structure design, suitable for a variety of use environments and customer customization needs
- Fashion and beautiful appearance design, professional manufacturing process
- It can save 10 management fingerprints and 100 user fingerprints
- Optional double fingerprint verification & single fingerprint verification for unlock
- Powered by 4 AA batteries, the battery life can reach 10,000 times, or for one year, with power shortage prompt function
- Optional accessories to provide more personalized solutions for installation and use environments
- Certified by the State Security Bureau, Type-C interface can provide emergency power supply
- Optional record saving function, with record downloader can download 10,000 records
- The outer control panel is separated from the inner lock body to alarm, when cabinet being moved abnormally and knocked, it will alarm loudly.
- Install overload protection mechanism with independent intellectual property rights

COMPREHENSIVE UPGRADE
OF LOCK STRUCTURE



M-2205-SF NEW

Patent No: CN202130852121.X



Features&Benefits

- Adopt international high-performance, self-learning fingerprint module
- Support fingerprint comparison of 360 degrees in any range of rotation
- 12-key touch keypad, giving users a more extreme experience, the password is any combination of 8-15 digits, the amount of password reaches 10 million groups
- Double verification or single verification can be selected according to customer needs
- Certified by the State Security Bureau; CE certification; National quality inspection and certification
- Built-in 4 AA batteries for power supply; Type-C interface for emergency power supply
- Optional record saving function, with record downloader can download 10,000 records

COMPREHENSIVE UPGRADE
OF LOCK STRUCTURE

M-2205-SF-CL NEW

Patent No: CN202130852121.X



Features&Benefits

- Adopt international high-performance, self-learning fingerprint module
- Support fingerprint comparison of 360 degrees in any range of rotation
- 12-key touch keypad, giving users a more extreme experience, the password is any combination of 8-15 digits, the amount of password reaches 10 million groups
- Double verification or single verification can be selected according to customer needs
- Certified by the State Security Bureau; CE certification; National quality inspection and certification
- Built-in 4 AA batteries for power supply; Type-C interface for emergency power supply
- Optional record saving function, with record downloader can download 10,000 records

COMPREHENSIVE UPGRADE
OF LOCK STRUCTURE



M-2206-A0 NEW

BOTH METAL AND SECURITY CABINET

Material: Zinc alloy, ABS, PC

Finish: Chrome and matt chrome plating, painting

Suitable thickness: 0.6-3mm

Patent No: CN202130861204.5 / CN202123432971.8



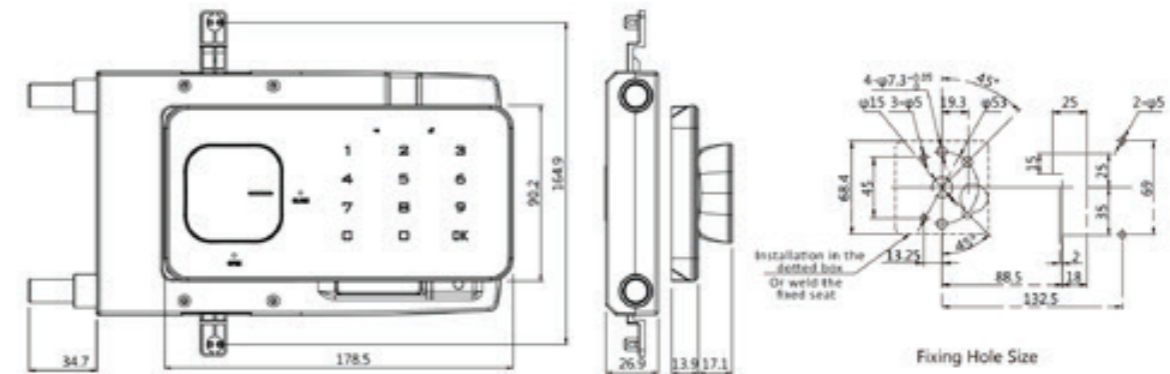
M-2206-A0

Features Benefits

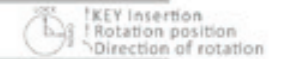
- 12-key touch keypad, giving users a more extreme experience, the password is any combination of 6-15 digits, the amount of password reaches 10 million groups
- Double verification or single verification can be selected according to customer needs
- Certified by the State Security Bureau; CE certification; National quality inspection and certification
- Built-in 4 AA batteries for power supply, Type-C interface for emergency power supply
- Aluminium alloy cover
- Optional record saving function, with record downloader can download 10,000 records
- Install overload protection mechanism with independent intellectual property rights



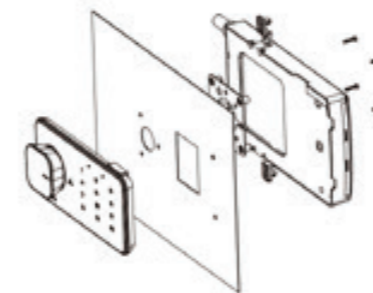
Product Size



(Model)	(Specification)A	(Rotation)	(Function)	Applicable Plate
M-2206-A0	Electronic Security Cabinet lock	90°	/	0.6-3mm



Installation Step





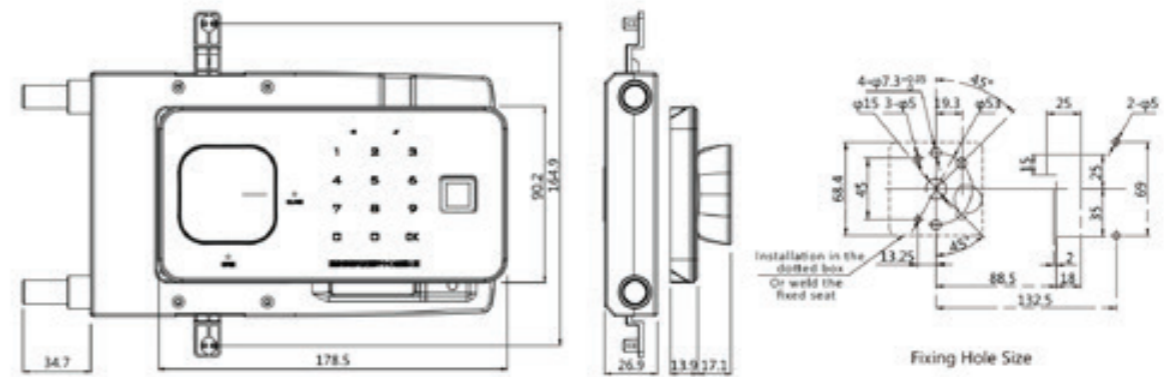
M-2206-SF

Features Benefits

- Adopt international high-performance, self-learning fingerprint module
- Support fingerprint comparison of 360 degrees in any range of rotation 12-key touch keypad, giving users a more extreme experience, the password is any combination of 8-15 digits, the amount of password reaches 10 million groups
- Double verification or single verification can be selected according to customer needs
- Certified by the State Security Bureau; CE certification; National quality inspection and certification
- Built-in 4 AA batteries for power supply, Type-C interface for emergency power supply
- Aluminium alloy cover
- Install overload protection mechanism with independent intellectual property rights
- Optional record saving function, with record downloader can download 10,000 records



Product Size



M-2206-SF NEW

BOTH METAL AND SECURITY CABINET

Material: Zinc alloy, ABS, PC

Finish: Chrome and matt chrome plating, painting

Suitable thickness: 0.6-3MM

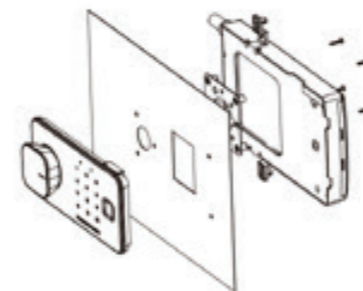
Patent No: CN202130861204.5/ CN202123432971.8



(Model)	(Specification)A	(Rotation)	(Function)	Applicable Plate
M-2206-SF	Finger Print Security cabinet lock	90°	/	0.6-3mm



Installation Step





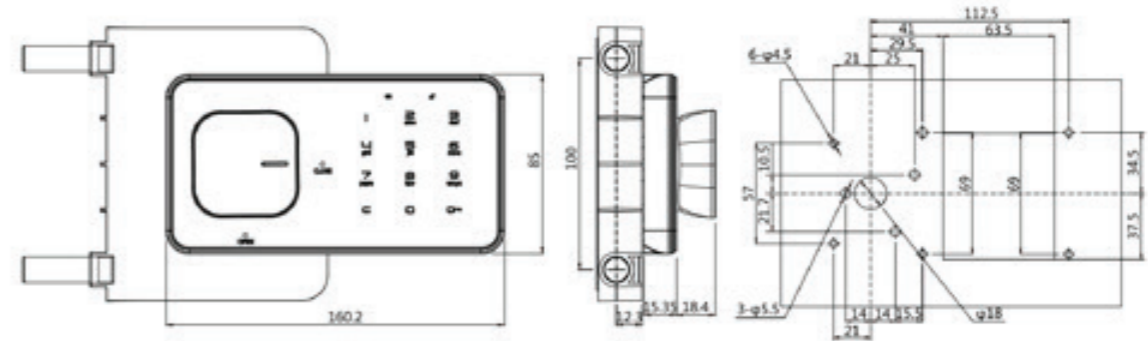
M-2208-00A0

Features Benefits

- Modular design for easy installation
- Certified by the State Security Bureau; National quality inspection and certification
- Built-in 4 AA batteries for power supply, Type-C interface for emergency power supply, ultra-low power design
- If you enter the wrong password or maliciously unlock the lock 4 times in a row, a continuous alarm prompt will be issued.
- Install overload protection mechanism with independent intellectual property rights
- Optional record saving function, with record downloader can download 10,000 records



Product Size

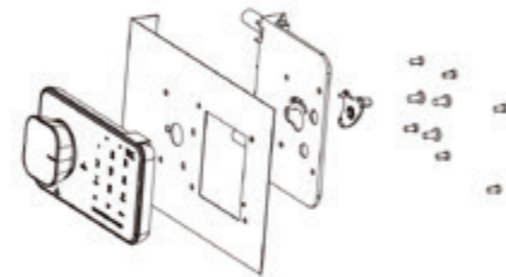


Fixing Hole Size

(Model)	(Specification)A	(Rotation)	(Function)	Applicable Plate	
M-2208-00A0	Electronic Confidential Cabinet	90°	/	Steel Plate (0.6-2mm)	Starting position Rotating position Direction of rotation
M-2208-01A0	Electronic Confidential Cabinet	90°	/	Steel Plate (0.6-2mm)	Starting position Rotating position Direction of rotation

KEY Insertion
Rotation position
Direction of rotation

Installation Step



Master Key

Optional Accessories

M-2208-00A0 NEW

BOTH METAL AND SECURITY CABINET

Material: Zinc alloy, ABS, Discs

Finish: Matt chrome plating

Suitable thickness: 0.6-2MM

Patent No: CN202130861849.9



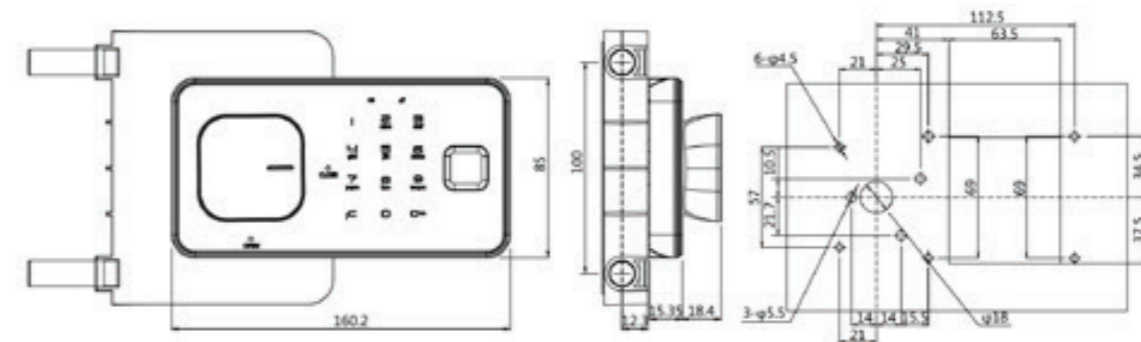


M-2208-00SF



- Adopt international high-performance, self-learning fingerprint module
- 12-key touch keypad, giving users a more extreme experience, the password is any combination of 8-15 digits, the amount of password reaches 10 million groups
- Double verification or single verification can be selected according to customer needs
- Modular design for easy installation
- Certified by the State Security Bureau; National quality inspection and certification
- Built-in 4 AA batteries for power supply, Type-C interface for emergency power supply, ultra-low power design
- If you enter the wrong password or maliciously unlock the lock 4 times in a row, a continuous alarm prompt will be issued.
- Optional record saving function, with record downloader can download 10,000 records
- Install overload protection mechanism with independent intellectual property rights

Product Size



Fixing Hole Size

(Model)	(Specification)A	(Rotation)	(Function)	Applicable Plate	
M-2208-00SF	Fingerprint security cabinet lock	90°	/	(0.6-2mm)	Starting position Rotating position Direction of rotation
M-2208-01SF	Fingerprint security cabinet lock	90°	/	(0.6-2mm)	Starting position Rotating position Direction of rotation

M-2208-SFK1 NEW

BOTH METAL AND SECURITY CABINET

Material: Zinc alloy, ABS, Discs

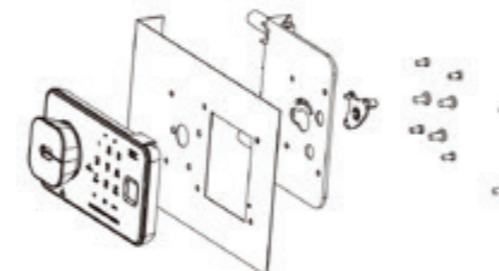
Finish: Matt chrome plating

Suitable thickness: 0.6-2MM

Patent No: CN202130861849.9



Installation Step



Optional Accessories



Master Key



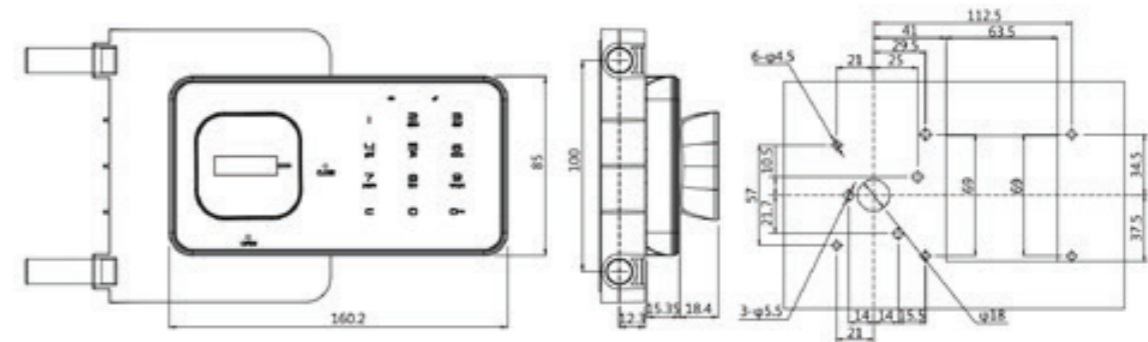
M-2208-A0K0

Features Benefits

- Adopt international high-performance, self-learning fingerprint module
- 12-key touch keypad, giving users a more extreme experience, the password is any combination of 8-15 digits, the amount of password reaches 10 million groups
- Double verification or single verification can be selected according to customer needs
- Modular design for easy installation
- Certified by the State Security Bureau; National quality inspection and certification
- Built-in 4 AA batteries for power supply, Type-C interface for emergency power supply; ultra-low power design
- If you enter the wrong password or maliciously unlock the lock 4 times in a row, a continuous alarm prompt will be issued.
- Optional record saving function, with record downloader can download 10,000 records
- Install overload protection mechanism with independent intellectual property rights



Product Size



Fixing Hole Size

(Model)	(Specification)A	(Rotation)	(Function)	Applicable Plate	Diagram
M-2208-A0K0	Electronic confidential cabinet lock	90°	/	Steel (0.6-2mm)	
M-2208-A0K1	Electronic confidential cabinet lock	90°	/	Steel (0.6-2mm)	

M-2208-A0K0 NEW

BOTH METAL AND SECURITY CABINET

Material: Zinc alloy, ABS, Discs

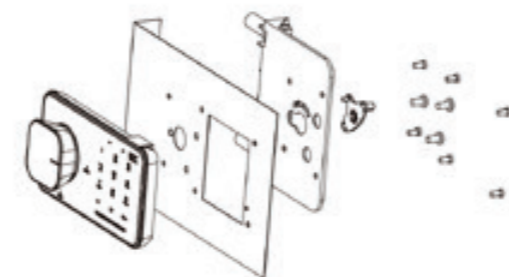
Finish: Matt chrome plating

Suitable thickness: 0.6-2MM

Patent No: CN202130861849.9



Installation Step



Optional Accessories



Master Key



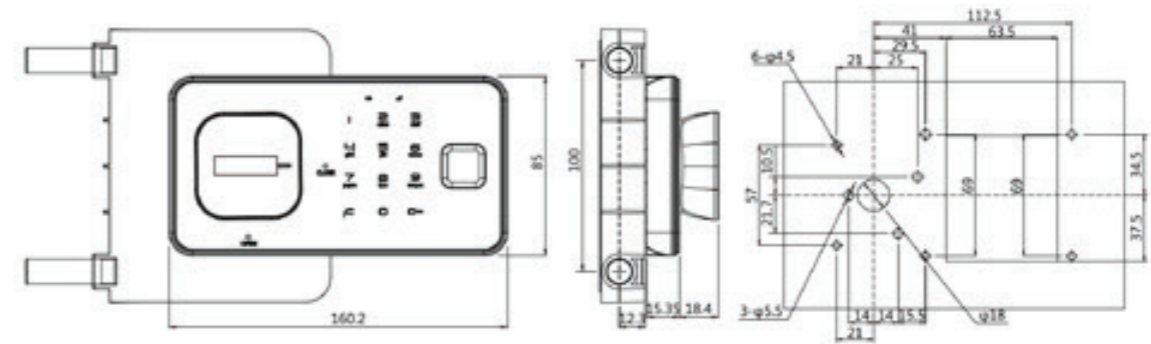
M-2208-SFK0

Features Benefits

- Adopt international high-performance, self-learning fingerprint module
- 12-key touch keypad, giving users a more extreme experience, the password is any combination of 8~15 digits, the amount of password reaches 10 million groups
- Double verification or single verification can be selected according to customer needs
- Modular design for easy installation
- Certified by the State Security Bureau; National quality inspection and certification
- Built-in 4 AA batteries for power supply, Type-C interface for emergency power supply, ultra-low power design
- If you enter the wrong password or maliciously unlock the lock 4 times in a row, a continuous alarm prompt will be issued.
- Optional record saving function, with record downloader can download 10,000 records
- Install overload protection mechanism with independent intellectual property rights



Product Size



Fixing Hole Size

(Model)	(Specification)A	(Rotation)	(Function)	Applicable Plate	
M-2208-SFK0	Fingerprint security cabinet lock	90°	/	Steel plate (0.6-2mm)	Starting position Rotating position Direction of rotation
M-2208-SFK1	Fingerprint security cabinet lock	90°	/	Steel plate (0.6-2mm)	Starting position Rotating position Direction of rotation

M-2208-SFK0 NEW

BOTH METAL AND SECURITY CABINET

Material: Zinc alloy, ABS, Discs

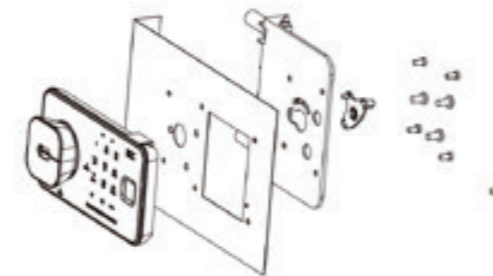
Finish: Matt chrome plating

Suitable thickness: 0.6-2MM

Patent No: CN202130861849.9



Installation Step



Optional Accessories



Master Key



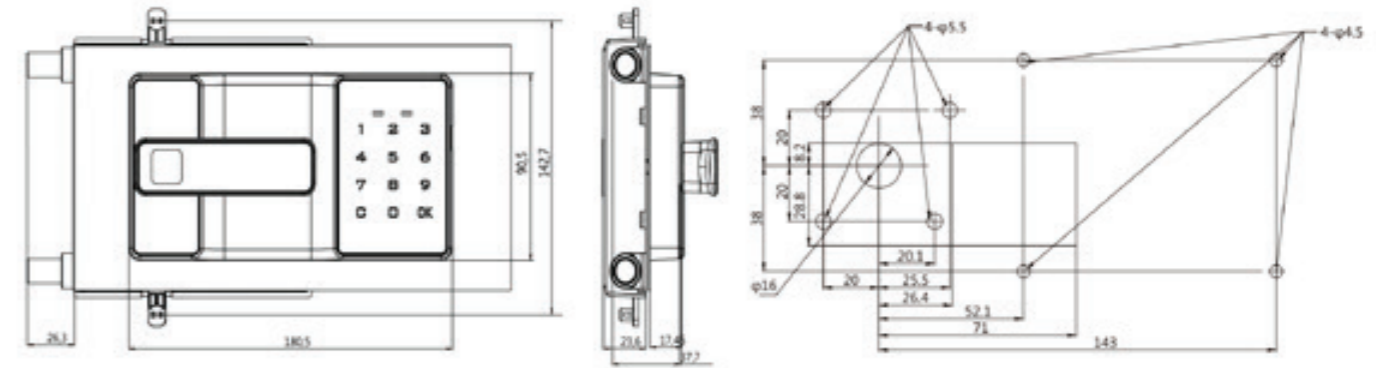
M-2215-00A0

Features Benefits

- Adopt international high-performance, self-learning fingerprint module
- 12-key touch keypad, giving users a more extreme experience, the password is any combination of 8-15 digits, the amount of password reaches 10 million groups
- Double verification or single verification can be selected according to customer needs
- Modular design for easy installation
- Certified by the State Security Bureau; National quality inspection and certification
- Built-in 4 AA batteries for power supply, Type-C interface for emergency power supply, ultra-low power design
- If you enter the wrong password or maliciously unlock the lock 4 times in a row, a continuous alarm prompt will be issued.
- Optional record saving function, with record downloader can download 10,000 records
- Install overload protection mechanism with independent intellectual property rights



Product Size



M-2215-00A0 NEW

BOTH METAL AND SECURITY CABINET

Material: Zinc alloy, ABS, Discs

Finish: Matt chrome plating

Suitable thickness: 0.6-2MM

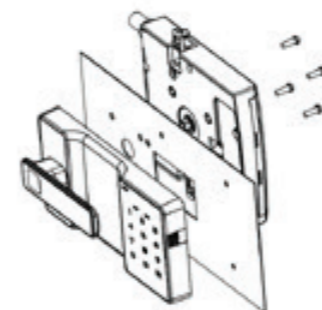
Patent No: CN202130861844.6 / CN202123397081.8



(Model)	(Specification)A	(Rotation)	(Function)	Applicable Plate
M-2215-00A0	Electronic confidential cabinet lock	90°	/	Steel plate (0.6-2mm)



Installation Step





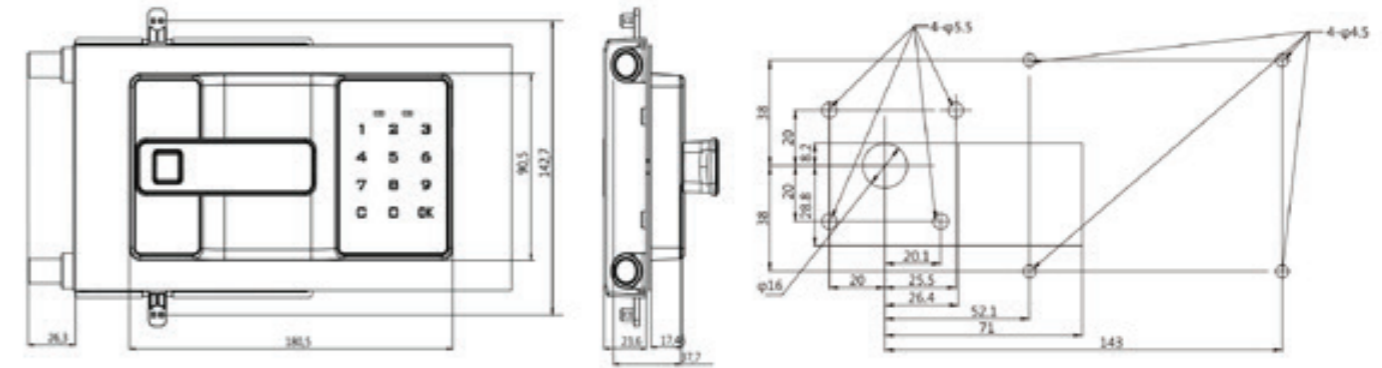
M-2215-00A0

Features Benefits

- Condensing the core technology using advanced microelectronic technology and algorithms
- Adopt international high-performance, self-learning fingerprint module
- 12-key touch keypad, giving users a more extreme experience, the password is any combination of 8-15 digits, the amount of password reaches 10 million groups
- Double verification or single verification can be selected according to customer needs
- Modular design for easy installation
- Has passed the national security bureau certification, national quality inspection certification
- Built-in 4 AA batteries, Type-C interface for emergency power supply, ultra-low power consumption design
- If you enter the wrong password or maliciously unlock the lock 4 times in a row, a continuous alarm prompt will be issued.
- Optional record saving function, with record downloader can download 10,000 records
- Overload protection agency with independent intellectual property rights



Product Size



M-2215-00SF NEW

BOTH METAL AND SECURITY CABINET

Material: Zinc alloy, ABS, Discs

Finish: Matt chrome plating

Suitable thickness: 0.6-2MM

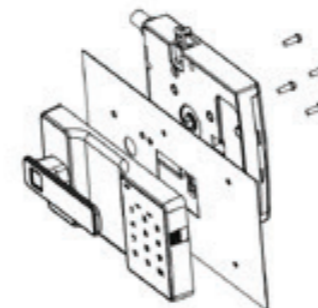
Patent No: CN202130861844.6 / CN202123397081.8



(Model)	(Specification)A	(Rotation)	(Function)	Applicable Plate
M-2215-00SF	Fingerprint security cabinet lock	90°	/	Steel plate (0.6-2mm)



Installation Step





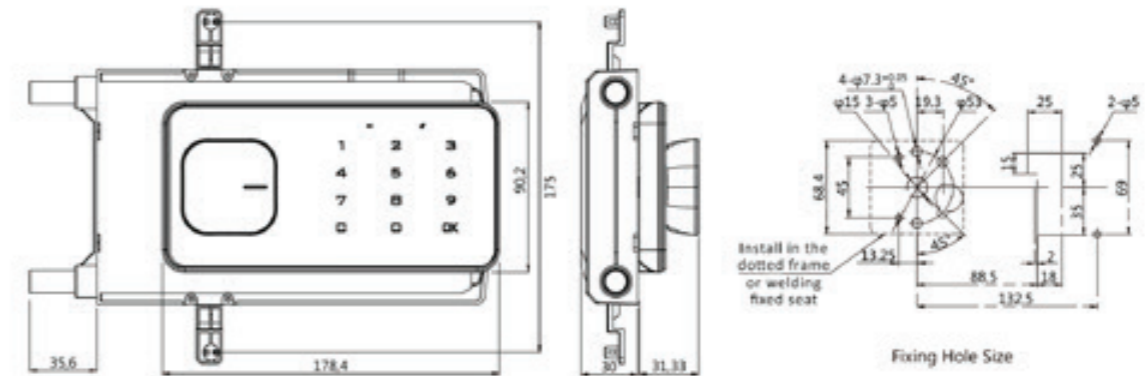
M-2218-00A0



Features Benefits

- Condensing the core technology using advanced microelectronic technology and algorithms
- 12-key touch keypad, giving users a more extreme experience, the password is any combination of 8-15 digits,
- The amount of password reaches 10 million groups
- Double verification or single verification can be selected according to customer needs
- Modular design for easy installation
- Has passed the national security bureau certification, national quality inspection certification
- Built-in 4 AA batteries, Type-C interface for emergency power supply, ultra-low power consumption design
- If you enter the wrong password or maliciously unlock the lock 4 times in a row, a continuous alarm prompt will be issued.
- Optional record saving function, with download 10,000 records record downloader can
- Overload protection agency with independent intellectual property rights

Product Size



M-2218-00A0 NEW

BOTH METAL AND SECURITY CABINET

Material: Zinc alloy, ABS, Discs

Finish: Matt chrome plating

Suitable thickness: 0.6-2MM

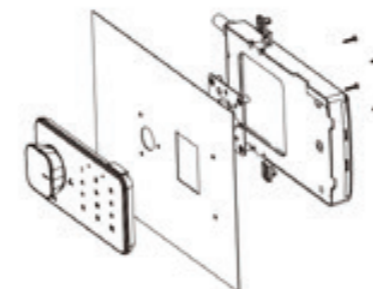
Patent No: CN202130861202.6



(Model)	(Specification)A	(Rotation)	(Function)	Applicable Plate
M-2218-00A0	Electronic confidential cabinet lock	90°	/	Steel plate (0.6-2mm)



Installation Step





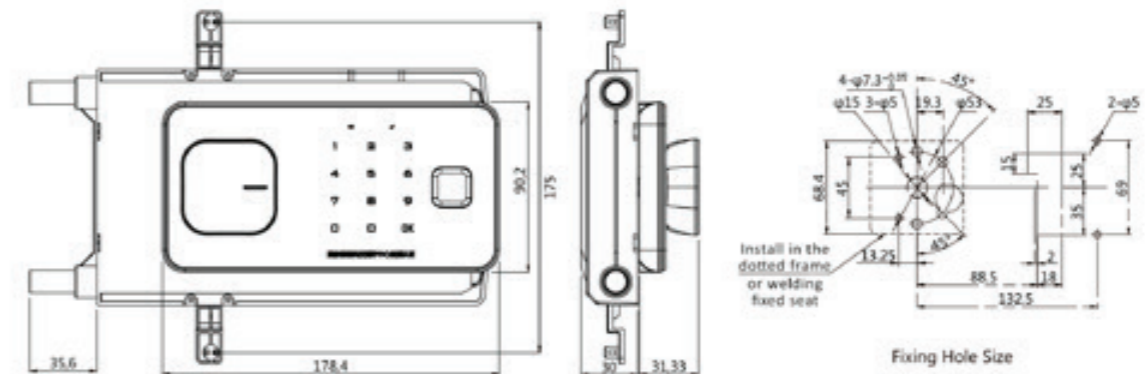
M-2218-00SF

Features Benefits

- Condensing the core technology using advanced microelectronic technology and algorithms
- Adopt international high-performance, self-learning fingerprint module
- 12-key touch keypad, giving users a more extreme experience, the password is any combination of 8-15 digits, The amount of password reaches 10 million groups
- Double verification or single verification can be selected according to customer needs
- Modular design for easy installation
Has passed the national security bureau certification, national quality inspection certification
- Built-in 4 AA batteries, Type-C interface for emergency power supply, ultra-low power consumption design
- If you enter the wrong password or maliciously unlock the lock 4 times in a row, a continuous alarm prompt will be issued.
- Optional record saving function, with record downloader can download 10,000 records
- Overload protection agency with independent intellectual property rights



Product Size



(Model)	(Specification)A	(Rotation)	(Function)	Applicable Plate
M-2218-00SF	Fingerprint security cabinet lock	90°	/	Steel plate (0.6-2mm)



M-2218-00SF NEW

BOTH METAL AND SECURITY CABINET

Material: Zinc alloy, ABS, Discs

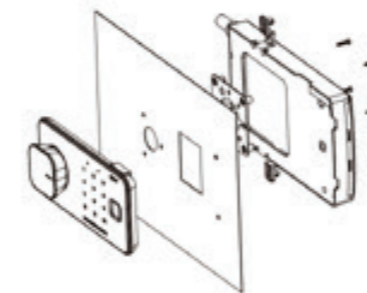
Finish: Matt chrome plating

Suitable thickness: 0.6-2MM

Patent No: CN202130861202.6



Installation Step





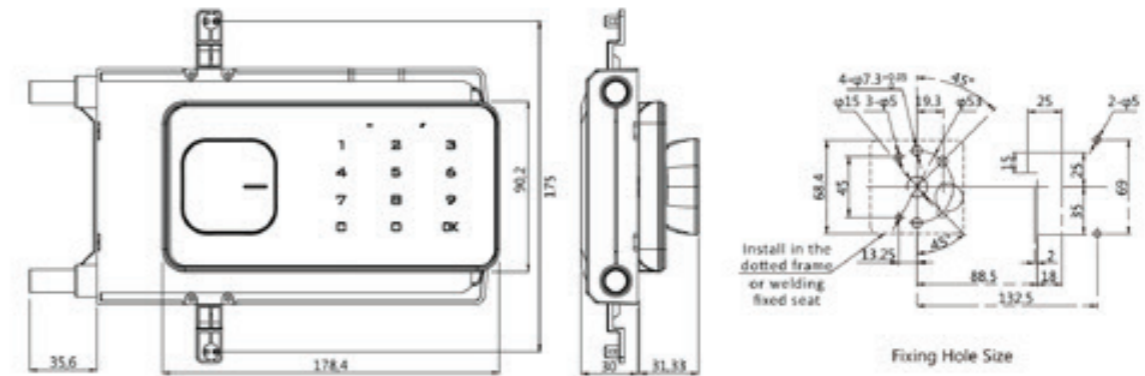
M-2218-A0K0

Features Benefits

- Condensing the core technology using advanced microelectronic technology and algorithms
- 12-key touch keypad, giving users a more extreme experience, the password is any combination of 8-15 digits,
- The amount of password reaches 10 million groups
- Double verification or single verification can be selected according to customer needs
- Modular design for easy installation
- Has passed the national security bureau certification, national quality inspection certification
- Built-in 4 AA batteries, Type-C interface for emergency power supply, ultra-low power consumption design
- If you enter the wrong password or maliciously unlock the lock 4 times in a row, a continuous alarm prompt will be issued.
- Optional record saving function, with record downloader can download 10,000 records
- Overload protection agency with independent intellectual property rights



Product Size



M-2218-A0K0 NEW

BOTH METAL AND SECURITY CABINET

Material: Zinc alloy, ABS, Discs

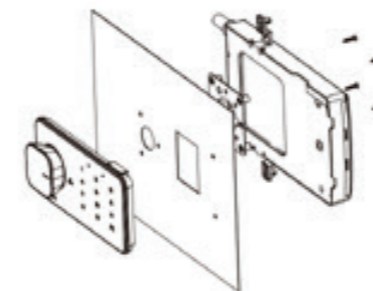
Finish: Matt chrome plating

Suitable thickness: 0.6-2MM

Patent No: CN202130861202.6



Installation Step



(Model)	(Specification)A	(Rotation)	(Function)	Applicable Plate
M-2218-A0K0	Electronic confidential cabinet lock	90°	/	Steel plate (0.6-2mm)

Starting position
 Rotating position
 Direction of rotation



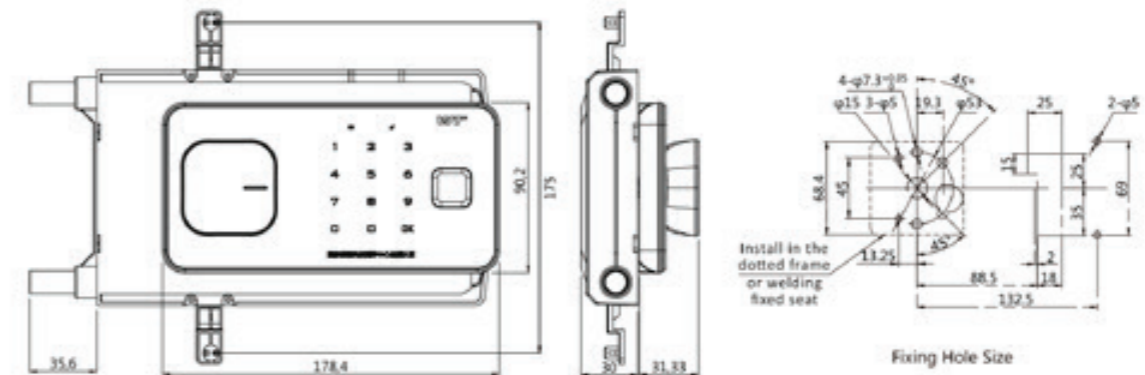
M-2218-A0K0

Features Benefits

- Condensing the core technology using advanced microelectronic technology and algorithms
- Adopt international high-performance, self-learning fingerprint module
- 12-key touch keypad, giving users a more extreme experience, the password is any combination of 8-15 digits,
- The amount of password reaches 10 million groups
- Double verification or single verification can be selected according to customer needs
- Modular design for easy installation
- Has passed the national security bureau certification, national quality inspection certification
- Built-in 4 AA batteries, Type-C interface for emergency power supply, ultra-low power consumption design
- If you enter the wrong password or maliciously unlock the lock 4 times in a row, a continuous alarm prompt will be issued.
- Optional record saving function, with record downloader can download 10,000 records
- Overload protection agency with independent intellectual property rights



Product Size



(Model)	(Specification)A	(Rotation)	(Function)	Applicable Plate
M-2218-SFK0	Fingerprint security cabinet lock	90°	/	Steel (0.6-2mm)

M-2218-SFK0 NEW

BOTH METAL AND SECURITY CABINET

Material: Zinc alloy, ABS, Discs

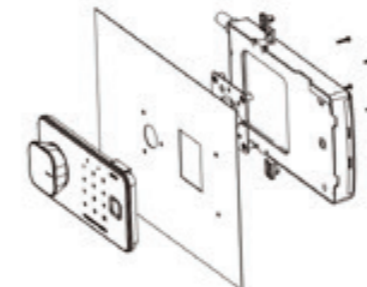
Finish: Matt chrome plating

Suitable thickness: 0.6-2MM

Patent No: CN202130861202.6



Installation Step





WT-M-1705 NEW

BOTH METAL AND SECURITY CABINET

Material: Zinc alloy, ABS, PC

Finish: chrome and matt chrome plating, painting

Suitable thickness: 0.6-3MM

Patent No:

ZL201720049975.2 ZL201720049974.8
 ZL201730078403.2 ZL201730078402.8
 ZL201730689213.4 ZL201830108430.4
 ZL201830291675.5



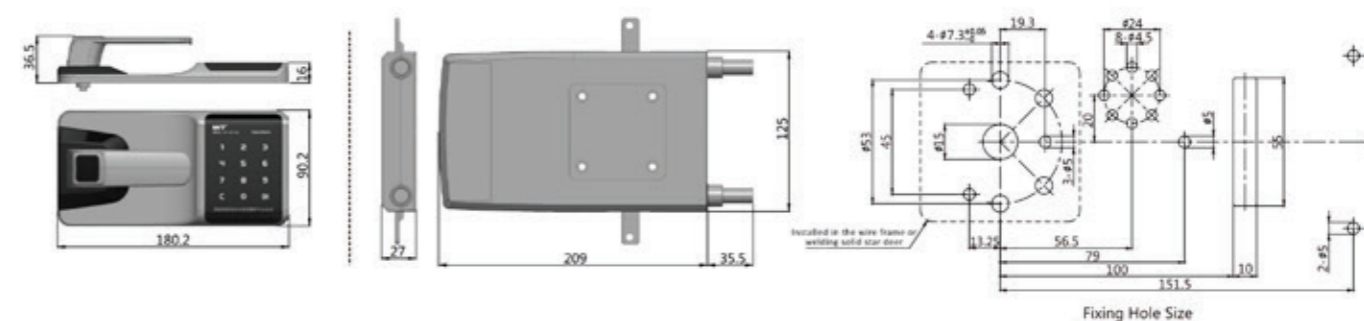
WT-M-1705

Features Benefits

- Touch pad button design, password can be consisted of 8-15 digits, billions of password available
- Different options: Capacitive fingerprint/Optical fingerprint/liquid crystal display (LCD); Handle: plastic/zinc alloy
- CE: Certified by National Administration for the Protection of State Secrets;
- National quality inspection certification;
- Password can be set and changed by users, and memorized automatically when power off.
- 4 pieces AA batteries can be used for 10,000 times, 9V emergency battery can be applied when battery is out of power. Automatic power shortage prompts.
- Auto-alarm will be activated when input wrong password 4 times.
- Lock can be set with either 1 group or 2 groups of password to open.(once 2 groups of passwords mode selected, both groups of passwords have to be input to open)
- Both body and panel with alarm function
- When cabinet being moved abnormally and knocked, it will alarm loudly.
- Patented with overload protection

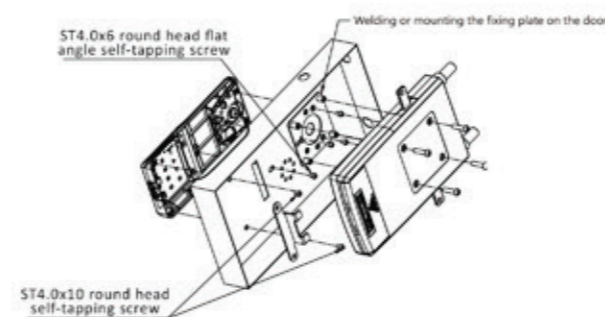


Product Size



(Model)	(Specification)A	(Rotation)	(Function)	Applicable Plate	
M-1705	Electronic confidential cabinet lock	/	/	0.6-3mm	KEY Insertion Rotation position Direction of rotation
M-1705-SF	Fingerprint security cabinet lock	/	/	0.6-3mm	KEY Insertion Rotation position Direction of rotation
M-1705SF-B	Fingerprint security cabinet lock	/	/	0.6-3mm	KEY Insertion Rotation position Direction of rotation
M-1705SF-CL	Fingerprint security cabinet lock	/	/	0.6-3mm	KEY Insertion Rotation position Direction of rotation

Installation Step



WT-M-1705 NEW



Features&Benefits

- Touch pad button design, password can be consisted of 8-15 digits, billions of password available
- Single fingerprint & double fingerprint opening both available
- CE Certified by National Administration for the Protection of State Secrets; National quality inspection certification;
- 4 pieces AA batteries, 9V emergency battery can be applied when battery is out of power.

COMPREHENSIVE UPGRADE
OF LOCK STRUCTURE

WT-M-1705-SF NEW



Features&Benefits

- An international high performance, high speed DSP processor's semiconductor fingerprint module, Support for 360 degree rotation in fingerprint comparison
- Touch pad button design, password can be consisted of 8-15 digits, billions of password available
- Single fingerprint & double fingerprint opening both available
- CE Certified by National Administration for the Protection of State Secrets; National quality inspection certification;
- 4 pieces AA batteries, 9V emergency battery can be applied when battery is out of power
- With operation record saving function, 10000 records can be downloaded via record download device

COMPREHENSIVE UPGRADE
OF LOCK STRUCTURE

WT-M-1705SF-B NEW



Features&Benefits

- An international high performance, high speed DSP processor's semiconductor fingerprint modules.
- Split type design for body and panel for different options
- 2-level management: 10 groups of master fingerprints and 100 groups user fingerprints.
- 4 pieces AA batteries can be used for 10,000 times. Automatic power shortage prompts.
- Switch between public and private mode freely.
- Various accessories can be provided, special function can be customized
- National quality inspection certification, 9V emergency battery can be applied when battery is out of power.

COMPREHENSIVE UPGRADE
OF LOCK STRUCTURE

WT-M-1705SF-CL NEW



Features&Benefits

- An international high performance, with self-learning fingerprint module function.
- Support for 360 degree rotation in fingerprint comparison.
- Touch pad button design, password can be consisted of 8-15 digits, billions of password available.
- Single fingerprint & double fingerprint opening both available.
- CE certified by National Administration for the Protection of State Secrets; National quality inspection certification.
- 4 pieces AA batteries, 9V emergency battery can be applied when battery is out of power.

COMPREHENSIVE UPGRADE
OF LOCK STRUCTURE



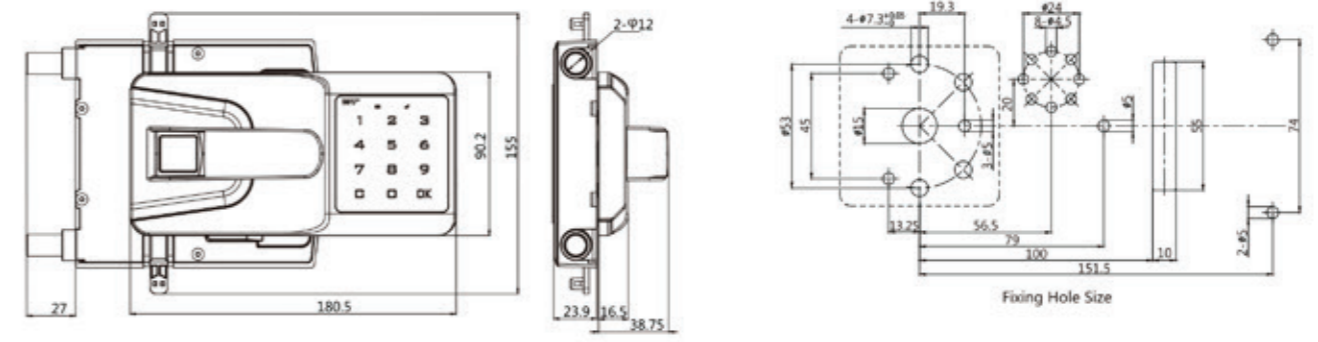
WT-M-1705JY-00A0

Features Benefits

- Touch pad button design, password can be consisted of 8-15 digits, billions of password available
- Different options: Capacitive fingerprint/Optical fingerprint/liquid crystal display (LCD); Handle: plastic/zinc alloy
- CE: Certified by National Administration for the Protection of State Secrets;
- National quality inspection certification;
- Password can be set and changed by users, and memorized automatically when power off.
- 4 pieces AA batteries can be used for 10,000 times , 9V emergency battery can be applied when battery is out of power. Automatic power shortage prompts.
- Auto-alarm will be activated when input wrong password 4 times.
- Lock can be set with either 1 group or 2 groups of password to open.(once 2 groups of passwords mode selected, both groups of passwords have to be input to open)
- Both body and panel with alarm function
- When cabinet being moved abnormally and knocked, it will alarm loudly.
- Patented with overload protection



Product Size



WT-M-1705JY-00A0 NEW

BOTH METAL AND SECURITY CABINET

Material: Zinc alloy, ABS, PC

Finish: chrome and matt chrome plating, painting

Suitable thickness: 0.6-3MM

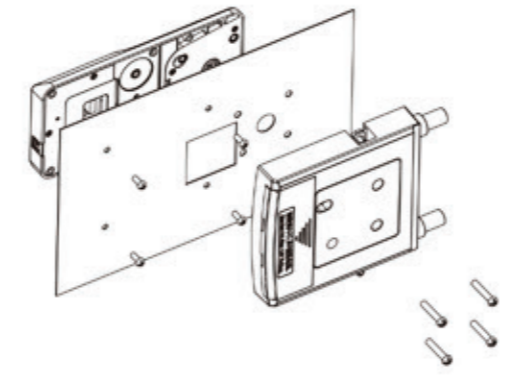
Patent No:
 ZL201720049975.2 ZL201720049974.8
 ZL201730078403.2 ZL201730078402.8
 ZL201730689213.4 ZL201830108430.4
 ZL201830291675.5



(Model)	(Specification)A	(Rotation)	(Function)	Applicable Plate
M-1705JY-A0K0	Electronic confidential cabinet lock	90°	/	Steel plate (0.6-2mm)

Starting position
 Rotating position
 Direction of rotation

Installation Step



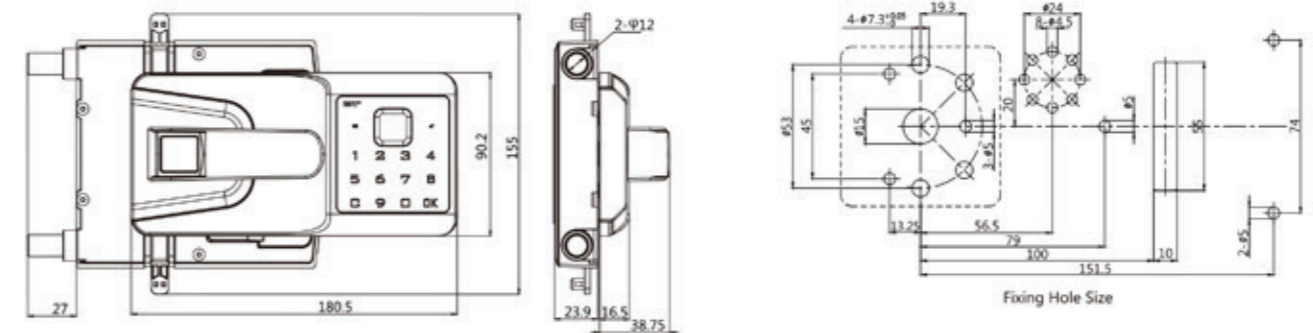
WT-M-1705JY-00SF



Features Benefits

- Touch pad button design, password can be consisted of 8-15 digits, billions of password available
- Different options: Capacitive fingerprint/Optical fingerprint/liquid crystal display (LCD); Handle: plastic/zinc alloy
- CE: Certified by National Administration for the Protection of State Secrets;
- National quality inspection certification;
- Password can be set and changed by users, and memorized automatically when power off.
- 4 pieces AA batteries can be used for 10,000 times , 9V emergency battery can be applied when battery is out of power. Automatic power shortage prompts.
- Auto-alarm will be activated when input wrong password 4 times.
- Lock can be set with either 1 group or 2 groups of password to open.(once 2 groups of passwords mode selected, both groups of passwords have to be input to open)
- Both body and panel with alarm function
- When cabinet being moved abnormally and knocked, it will alarm loudly.
- Patented with overload protection

Product Size



(Model)	(Specification)A	(Rotation)	(Function)	Applicable Plate
M-1705JY-00SF	Fingerprint security cabinet lock	90°	/	Steel plate(0.6-2mm)



WT-M-1705JY-00SF NEW

BOTH METAL AND SECURITY CABINET

Material: Zinc alloy, ABS, PC

Finish: chrome and matt chrome plating, painting

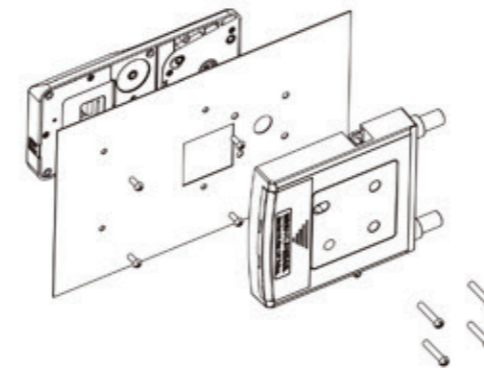
Suitable thickness: 0.6-3MM

Patent No:

- ZL201720049975.2 ZL201720049974.8
- ZL201730078403.2 ZL201730078402.8
- ZL201730689213.4 ZL201830108430.4
- ZL201830291675.5



Installation Step





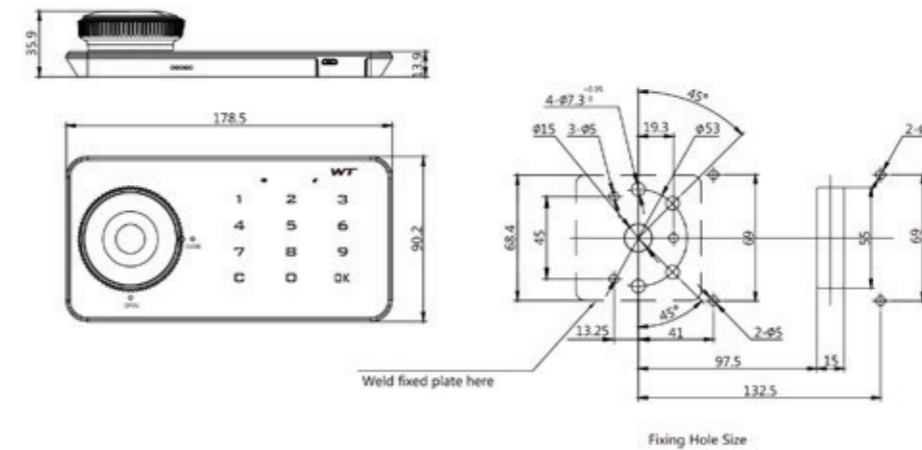
M-1706

Features Benefits

- Touch pad button design, password can be consisted of 6-15 digits, billions of password available
- Single fingerprint & double fingerprint opening both available
- CE certified by National Administration for the Protection of State Secrets; National quality inspection certification
- 4 pieces AA batteries, connect the USB port with an external power supply
- Aluminium alloy shell
- Patented with overload protection



Product Size



M-1706 NEW

BOTH METAL AND SECURITY CABINET

Material: Zinc alloy, ABS, PC

Finish: chrome and matt chrome plating, painting

Suitable thickness: 0.6-3MM

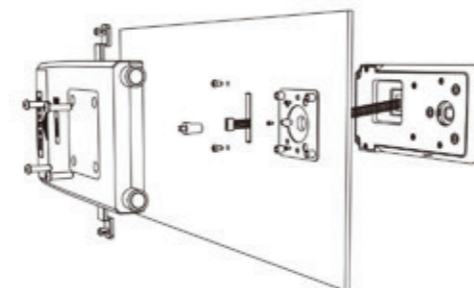
Patent No:
ZL201720049975.2 ZL201730078402.8
ZL201720050954.2



(Model)	(Specification)A	(Rotation)	(Function)	Applicable Plate
M-1706	Electronic confidential cabinet lock	90°	/	0.6-3mm



Installation Step





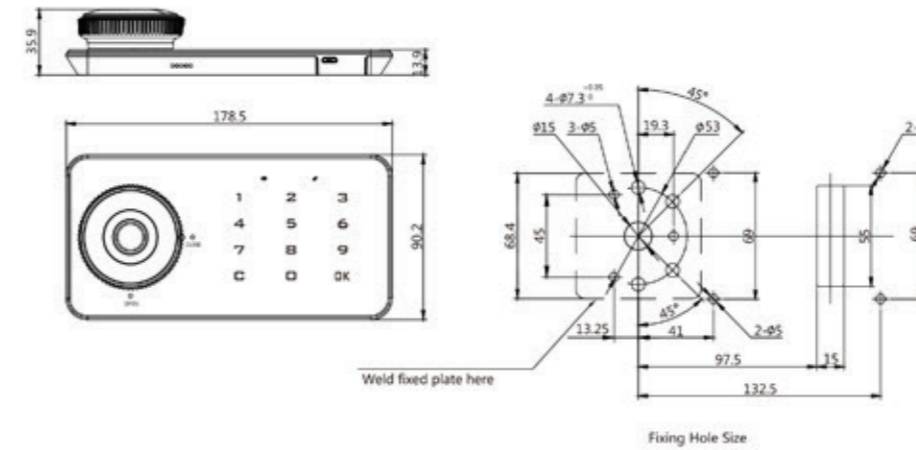
M-1706-SF

Features Benefits

- An international high performance, high speed optical fingerprint module
- An international high performance, high speed DSP processor's semiconductor fingerprint module, Support for 360 degree rotation in fingerprint comparison
- Touch pad button design, password can be consisted of 8-15 digits, billions of password available
- Single fingerprint & double fingerprint opening both available
- CE Certified by National Administration for the Protection of State
- Secrets; National quality inspection certification
- 4 pieces AA batteries, 9V emergency battery can be applied when battery is out of power.
- Aluminium alloy shell
- Patented with overload protection
- With operation record saving function, 10000 records can be downloaded via



Product Size



M-1706-SF NEW

BOTH METAL AND SECURITY CABINET

Material: Zinc alloy, ABS, PC

Finish: chrome and matt chrome plating, painting

Suitable thickness: 0.6-3MM

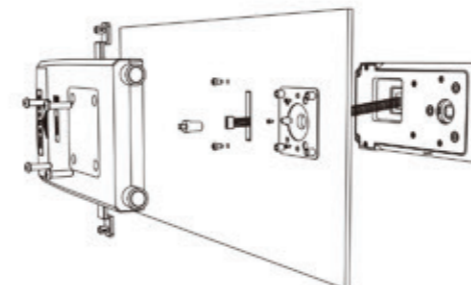
Patent No:
ZL201720049975.2 ZL201730078402.8
ZL201720050954.2



(Model)	(Specification)A	(Rotation)	(Function)	Applicable Plate
M-1706-SF	Fingerprint security cabinet lock	90°	/	Steel plate 0.6-3mm



Installation Step





M-1709

FOR WOODEN, METAL AND SECURITY CABINET

Material: Zinc alloy, ABS, PC

Finish: Chrome plating, painting

Suitable thickness: 0.6-20 mm

Patent No: ZL201930340998.3 ZL201930340997.9

Automatic Lock

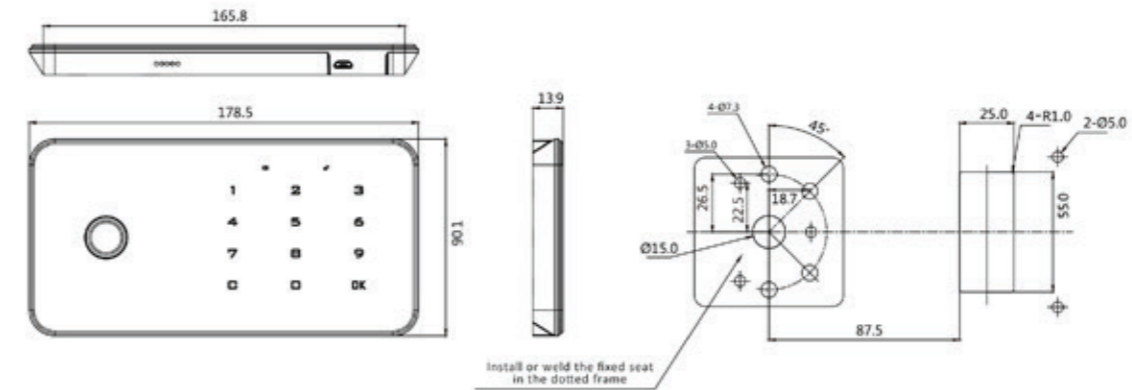


M-1709

Features Benefits

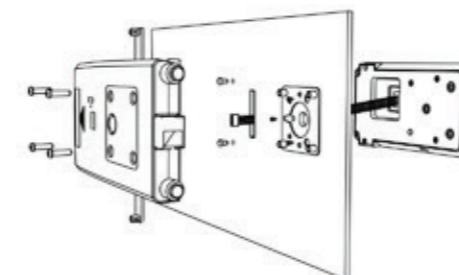
- Condensing core technology, creative design and implementation of the mechanism, using advanced microelectronics technology, algorithms and advanced sensors. Fully automatic functions
- An international high performance, high speed DSP processor's semiconductor fingerprint module, Support for 360 degree rotation in fingerprint comparison
- Split type design for body and panel for different options
- 4 pieces AA batteries can be used for 10,000 times
- Automatic power shortage prompts
- Various accessories can be provided, special function can be customized
- When cabinet being moved abnormally and knocked, it will alarm loudly
- Patented mechanical locking system
- Led backlight design
- Optional Bluetooth function, mobile APP management
- With operation record saving function,10000 records can be downloaded via record download device
- Mechanical laser key can be provided with Multilayer password management

Product Size



(Model)	(Specification)A	(Rotation)	(Function)	Applicable plate
M-1709	Fingerprint confidential cabinet lock	/	/	0.6-20mm

Installation Step



Optional Accessories



Master Key



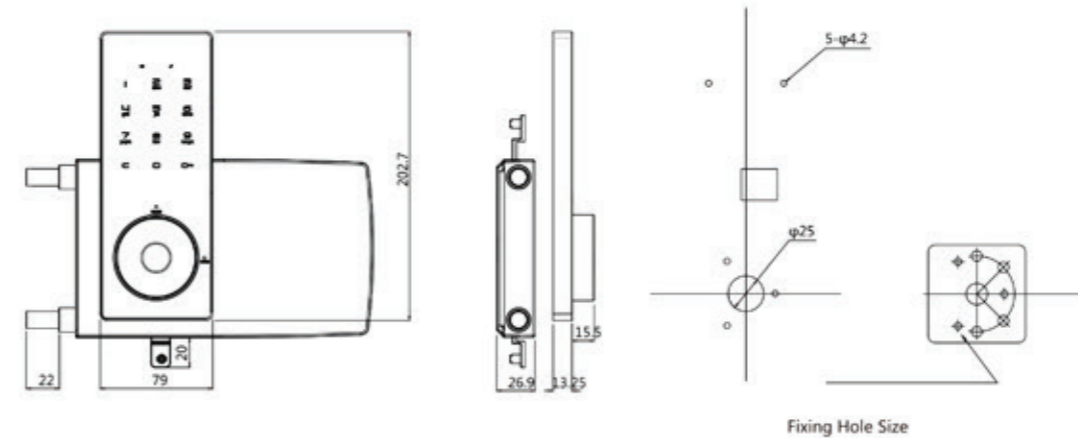
M-1719-00A0

Features Benefits

- Condensing the core technology using advanced microelectronic technology and algorithms
- Modular design for easy installation
- 12-key touch screen panel, the password can be any combination of 8--15 numbers
- Has passed the national security bureau certification, national quality inspection certification
- Powered with 4 AA batteries, Type-C emergency power supply interface, ultra-low power consumption design
- If you enter the wrong password or maliciously unlock the lock 4 times in a row, a continuous alarm prompt will be issued.
- Overload protection mechanism with independent intellectual property rights



Product Size



Fixing Hole Size

(Model)	(Specification)A	(Rotation)	(Function)	Applicable Plate
M-1719-00A0	Electronic confidential cabinet lock	90°	/	Steel plate (0.6-2mm)

M-1719-00A0 NEW

BOTH METAL AND SECURITY CABINET

Material: Zinc alloy, ABS, Discs

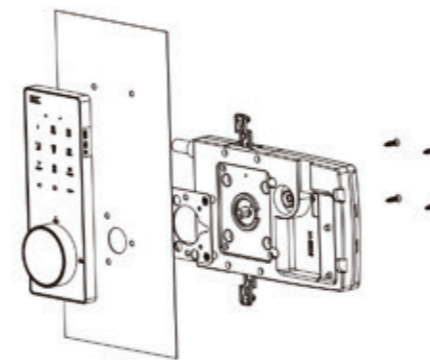
Finish: Matt chrome plating

Suitable thickness: 0.6-2mm

Patent No: CN202030790427.2



Installation Step





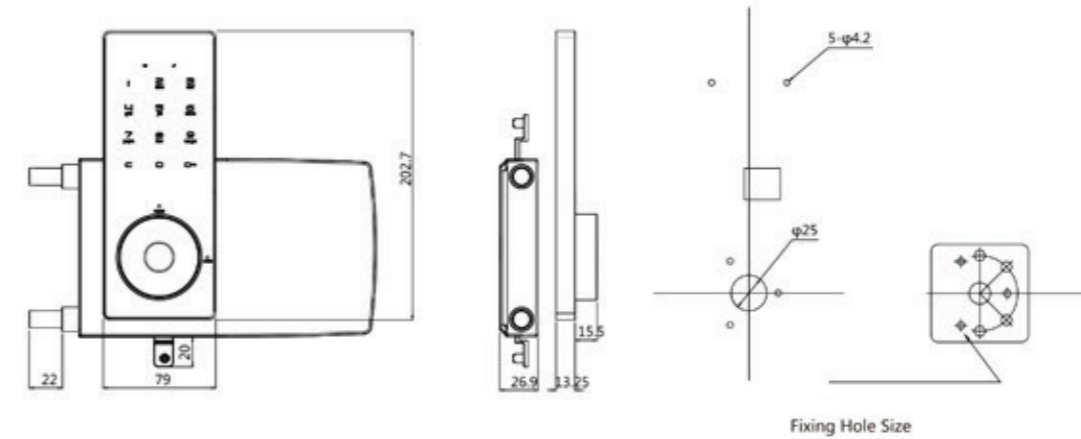
M-1719-00SF

Features Benefits

- Condensing the core technology using advanced microelectronic technology and algorithms
- Modular design for easy installation
- Adopt international high-performance, self-learning fingerprint module
- 12-key touch screen panel, the password can be any combination of 8--15 numbers
- Has passed the national security bureau certification, national quality inspection certification
- Powered with 4 AA batteries, Type-C emergency power supply interface, ultra-low power consumption design
- If you enter the wrong password or maliciously unlock the lock 4 times in a row, a continuous alarm prompt will be issued.
- Overload protection mechanism with independent intellectual property rights



Product Size



(Model)	(Specification)A	(Rotation)	(Function)	Applicable Plate
M-1719-00SF	Fingerprint confidential cabinet lock	90°	/	Steel plate (0.6-2mm)

Fixing Hole Size: 5-φ4.2

Legend: Starting position, Rotating position, Direction of rotation

M-1719-00SF NEW

BOTH METAL AND SECURITY CABINET

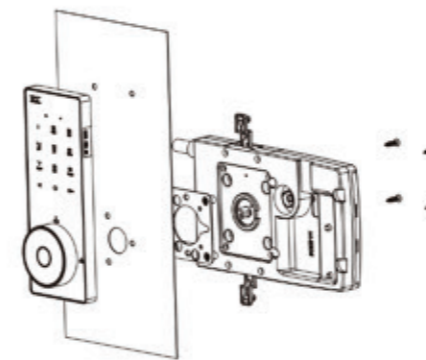
Material: Zinc alloy, ABS, Discs

Suitable thickness: 0.6-2mm

Patent No: CN202030791231.5



Installation Step





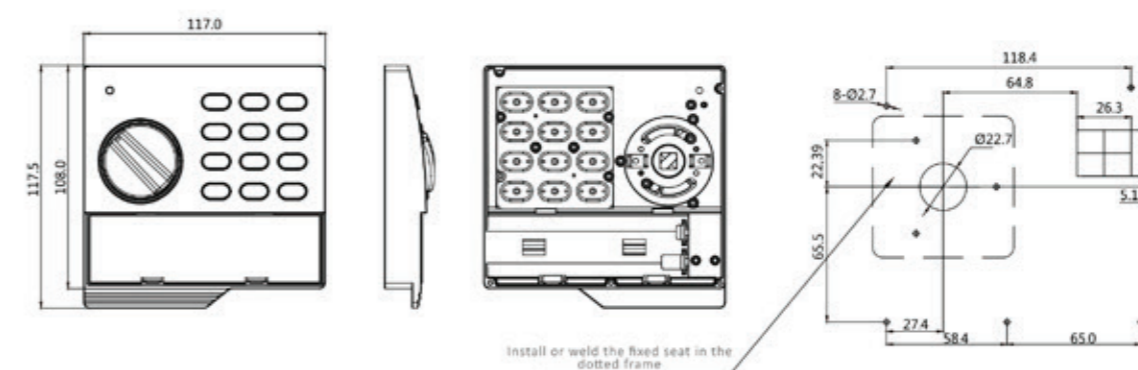
M-1707-00A0



Features Benefits

- An international high performance, high speed DSP processor's semiconductor fingerprint modules.
- Split type design for body and panel for different options
- 4 pieces AA batteries can be used for 10,000 times. Automatic power shortage prompts.
- Password consists of 8 digits, billions of password available
- Various accessories can be provided, special function can be customized
- Auto-alarm will be activated when input wrong password 4 times
- Lock can be set with either 1 or 2 groups of password to open (once 2 groups of passwords mode selected, both groups of passwords have to be input to open)
- When cabinet being moved abnormally and knocked, it will alarm loudly
- With operation record saving function, 10000 records can be downloaded via record download device

Product Size



M-1707-00A0 NEW

BOTH METAL AND SECURITY CABINET

Material: Zinc alloy, ABS, PC

Finish: Zinc plating

Suitable thickness: 0.6-3mm

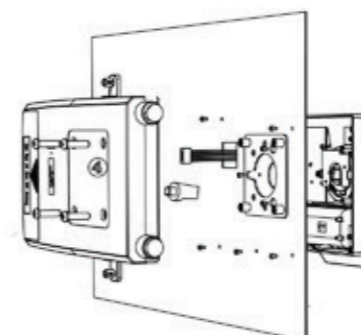
Patent No: ZL201930487440.8



(Model)	(Specification)A	(Rotation)	(Function)	Applicable Plate
M-1707-00A0	Electronic security cabinet lock	90°	/	0.6-3mm



Installation Step





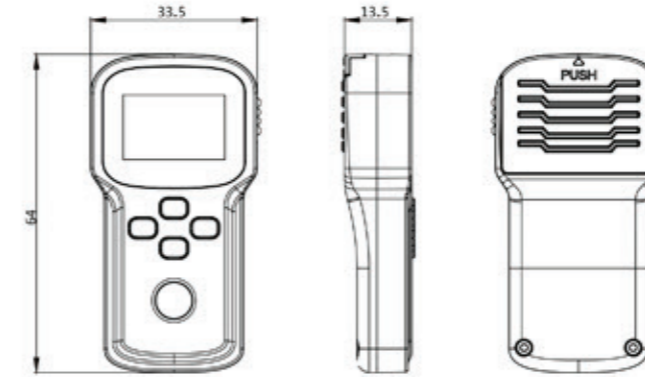
USB-REC

Features Benefits

- With self-learning fingerprint module function
- Highly confidential, fingerprint verification is required after the power turned on
- With clock setting function
- With fingerprint setting function, manage, delete single and delete all fingerprints
- With record export function (can store 20,000 records at most)
- Record categories include "unlocking, alarming, deleting, password changing, etc" up to 10 categories
- Applicable to multiple use environments
- 3 pieces AAA batteries, low power consumption



Product Size

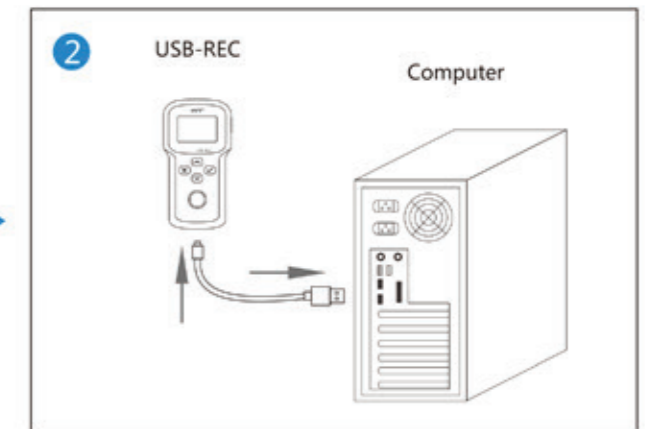
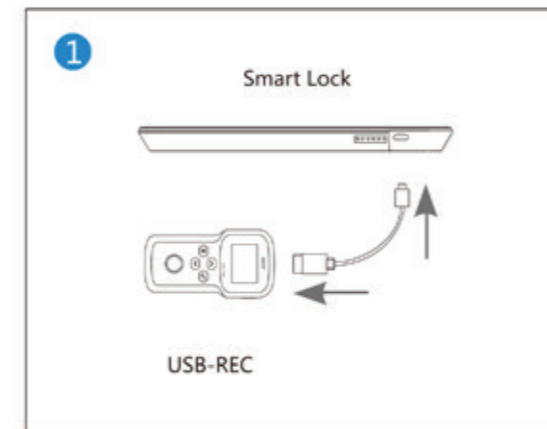


USB-REC

FOR SECURITY CABINET SERIES

Material: ABS, PC

Finish: Painting





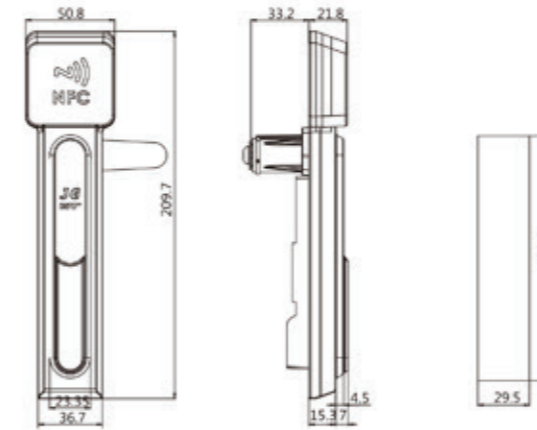
JG-001

Features Benefits

- Condensing the core technology using advanced microelectronic technology and algorithms
- Adopt no power solution, use the NFC function of mobile phone to reverse power to operate lock
- If you enter the wrong password for 4 consecutive times or open the lock maliciously, a continuous alarm prompt will be issued.
- A variety of installation accessories are available, which can be applied to a variety of usage scenarios
- Equipped with hidden management mechanical key and emergency power supply interface
- Mobile APP unlocking and background management functions



Product Size



Fixing Hole Size

(Model)	(Specification)A	(Rotation)	(Function)	Applicable Plate
JG-001	Passive lock	90°	/	Steel plate (0.6-2mm)



JG-001 NEW

FOR METAL CABINET
PA6+GF33

Material: ABS, Discs

Finish: Matt chrome plating

Suitable thickness: 0.6-2mm

Patent No: CN202030295396.3 CN202021045829.0



Installation Step

