



ROTO SEAL

01 HED-MS105



02 Details display



03 A series of



HED-MS100



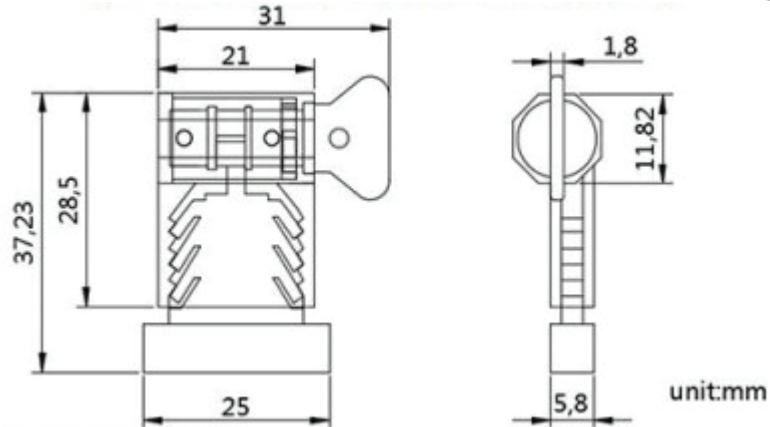
HED-MS103



HED-MS107

04

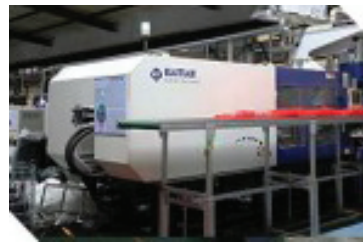
Product details



Material:	PC+ABS
Dimension of lock body:	37.2*25*5.8
Wire length:	20cmm
Wire diameter:	0.68mm
Color:	Yellow, white, blue, green, red, orange, etc.
Printing:	Screen printing, laser, hot stamping
Numbering:	Numbers, letters, signs, bar codes, etc.
Packing:	100 piece/ bag, 5000 Unit / box
Application:	Electricity meter, water meter, gas tank, container, post.

05

Production Process



06

Product Packaging

