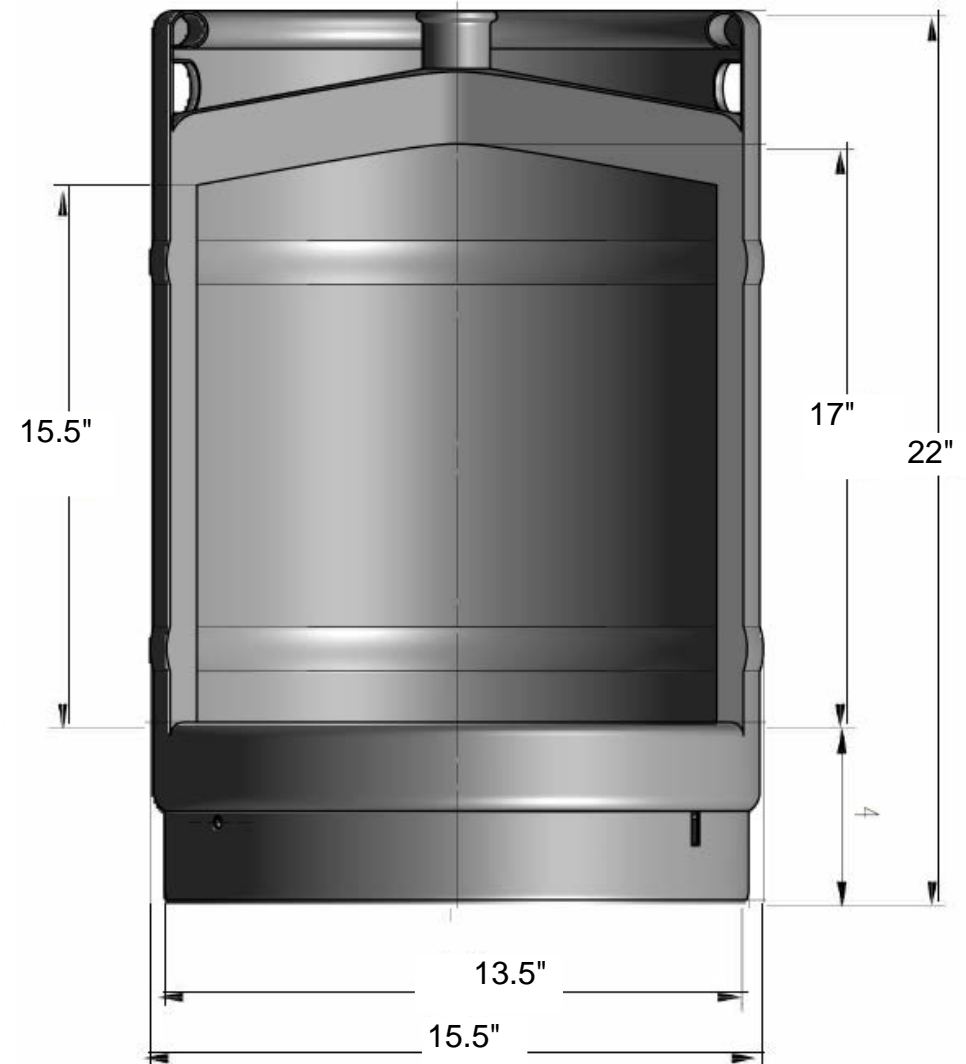


# STANDARD URINAL BEER KEG

## KEG DIMENSIONS



**ENGINEERING SPECIFICATION:** 304 STAINLESS STEEL WITH WELDED IN INTEGRAL DRAIN 1-1/2"; 3/4" FITTING FOR FLUSH VALVE; BRACKETS FOR MOUNTING; **NO SHARP EDGES.** WT. 24 LBS