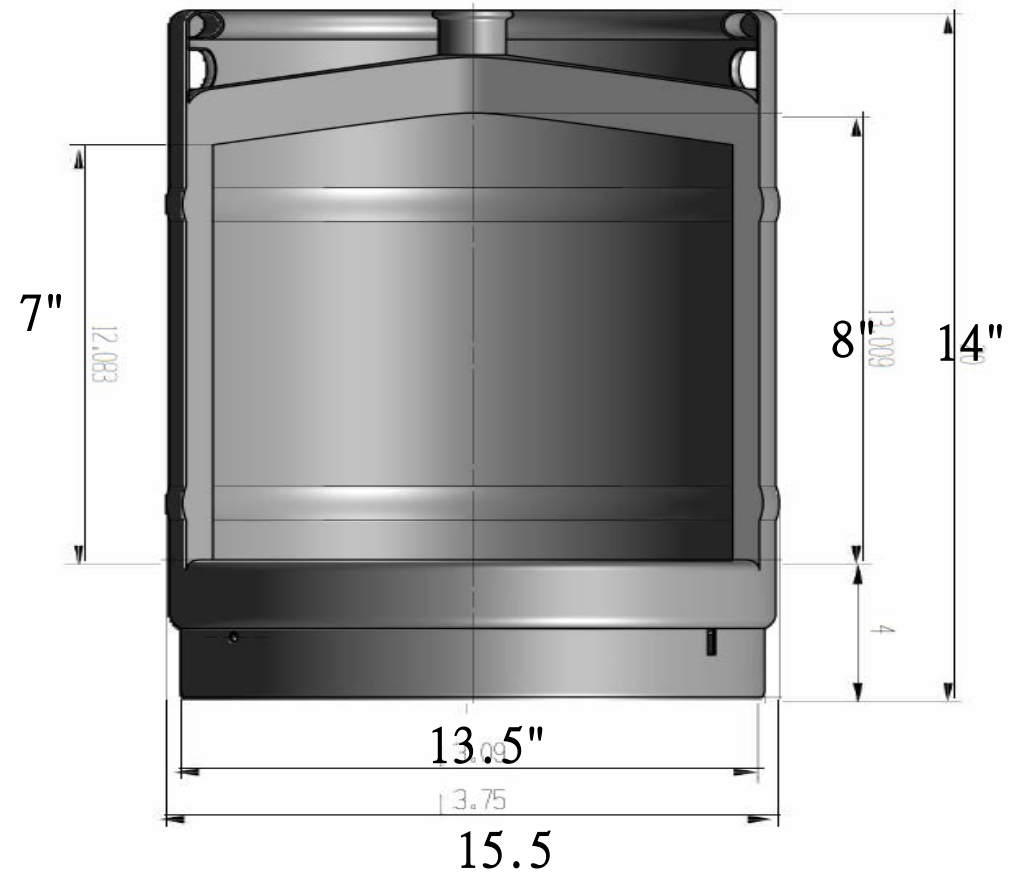


# STUBBY URINAL BEER KEG



## KEG DIMENSIONS



**ENGINEERING SPECIFICATION:** 304 STAINLESS STEEL WITH WELDED IN INTEGRAL DRAIN 1-1/2"; 3/4" FITTING FOR FLUSH VALVE; BRACKETS FOR MOUNTING; NO SHARP EDGES. WT. 19 LBS