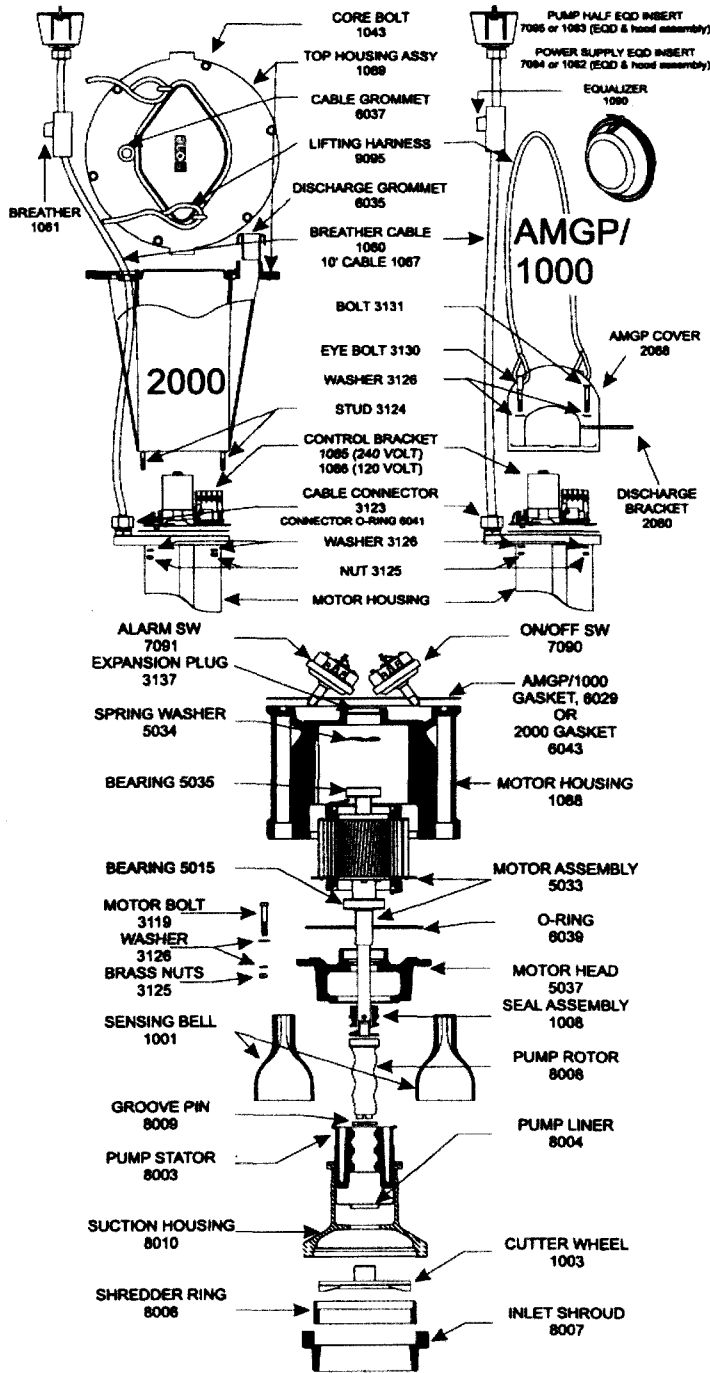


Stator and Rotor Replacement

This section describes replacement procedures for the pump stator and rotor. These instructions apply to all Environment One grinder pumps.

CORE DETAIL



PUMP ASSEMBLY

