

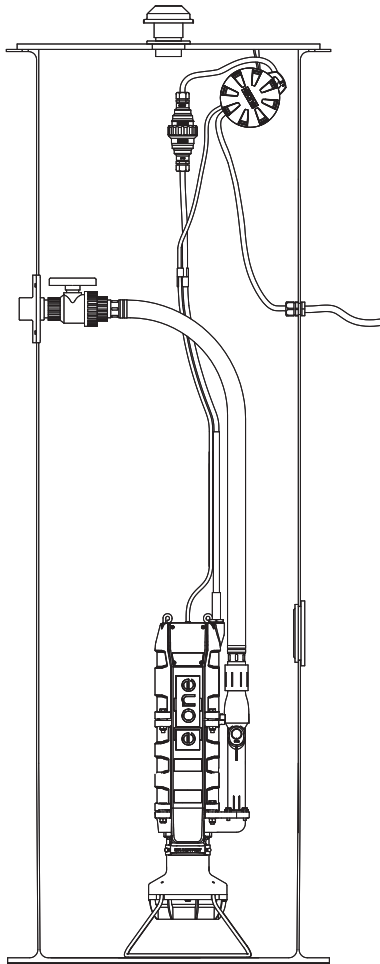
GH091

General Features

The model GH091 (Gatorgrinder) grinder pump station is a complete unit that includes: the grinder pump, check valve, fiberglass tank, controls, and alarm panel. Designed specifically for installation in warmer climates, the Gatorgrinder is an efficient, economic station for single dwelling service.

- Flow ratings and tank capacities will vary with each tank size; refer to the station drawings for more information
- Standard outdoor heights range from 60 inches to 96 inches

The tank is supplied complete with discharge fitting installed, simplifying installation of the grinder pump and plumbing. The GH091 uses E/One's "hardwired," or "wired," pump model where a cable connects the motor controls to the level controls through watertight penetrations.



Operational Information

Motor

1 hp, 1,725 rpm, high torque, capacitor start, thermally protected, 120/240V, 60 Hz, 1 phase

Inlet Connections

4-inch inlet grommet standard for DWV pipe. Field penetration and installation of inlet grommet allow site plumbing flexibility.

Discharge Connections

Tank is equipped with a factory-installed discharge fitting. Tank discharge terminates in 1.25-inch NPT female thread. Field connection of pump discharge to tank bulkhead is easily accomplished using the supplied discharge assembly or other material required by local code.

Discharge

15 gpm at 0 psig (0.95 lps at 0 m)
11 gpm at 40 psig (0.69 lps at 28 m)
7.8 gpm at 80 psig (0.49 lps at 56 m)

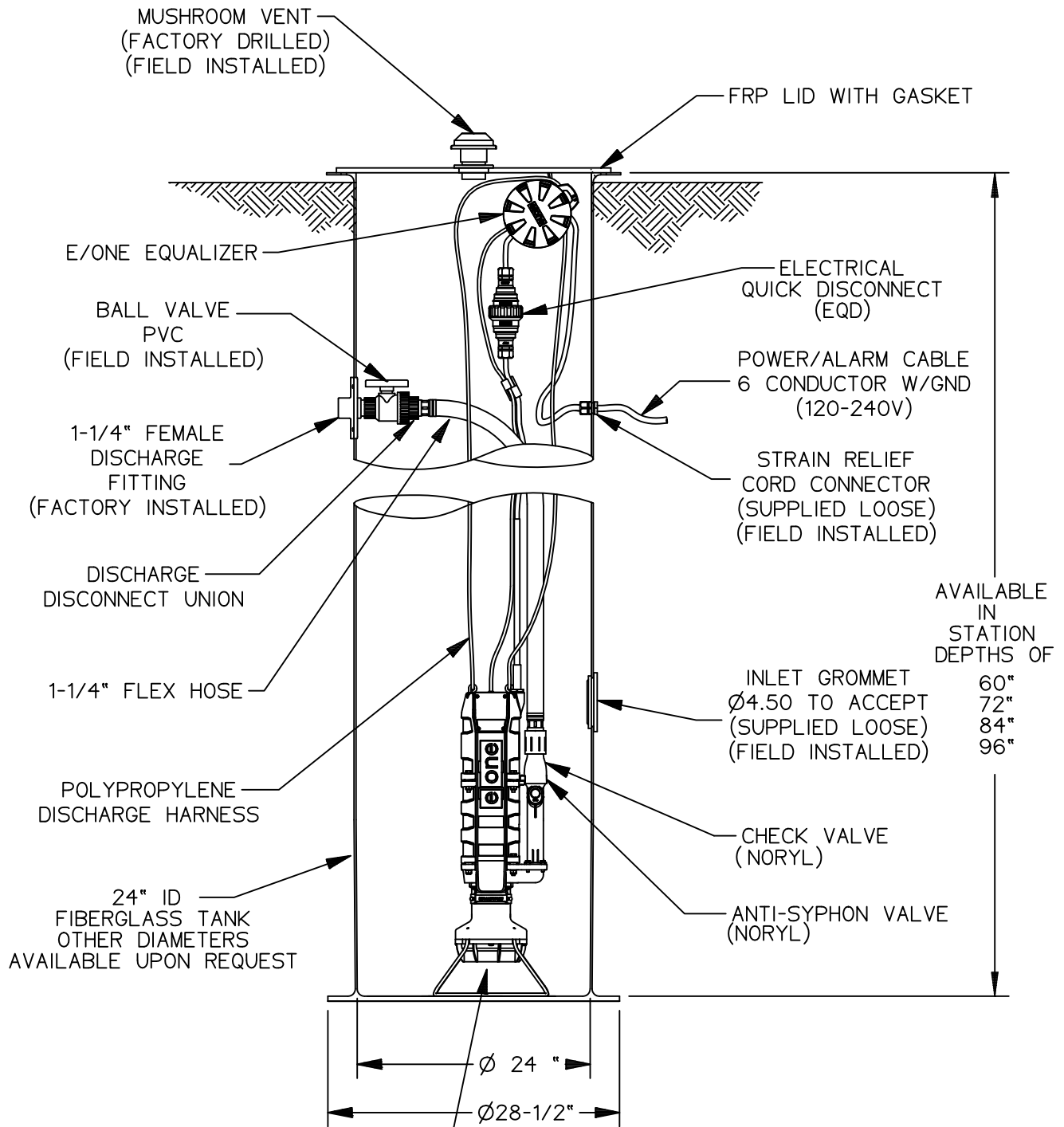
Accessories

E/One requires that the Uni-Lateral, E/One's own stainless steel check valve, be installed between the grinder pump station and the street main for added protection against backflow.

Alarm panels are available with a variety of options, from basic monitoring to advanced notice of service requirements.

The Remote Sentry is ideal for installations where the alarm panel may be hidden from view.

GH091



SEMI-POSITIVE DISPLACEMENT TYPE PUMP
DIRECTLY DRIVEN BY 1 HP MOTOR
(FIELD INSTALLED)

NOTE:
BALLASTING IS REQUIRED TO PREVENT
TANK FROM FLOATING.
INSTALL CONCRETE ANCHOR PER ENGINEERS RECOMMENDATIONS

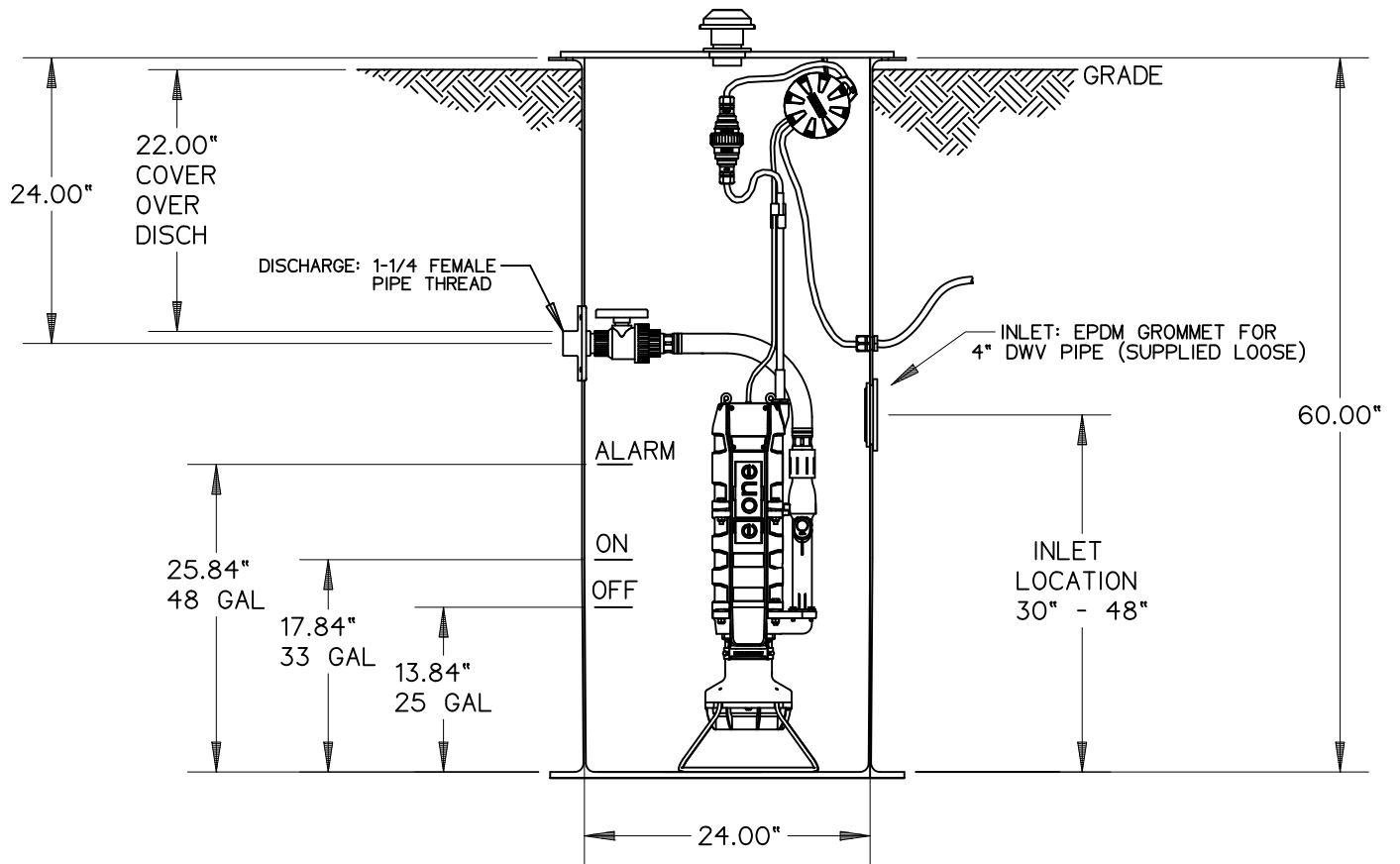
AD	PJD	12/22/21	D	
DR BY	CHK'D	DATE	ISSUE	SCALE

Gatorgrinder

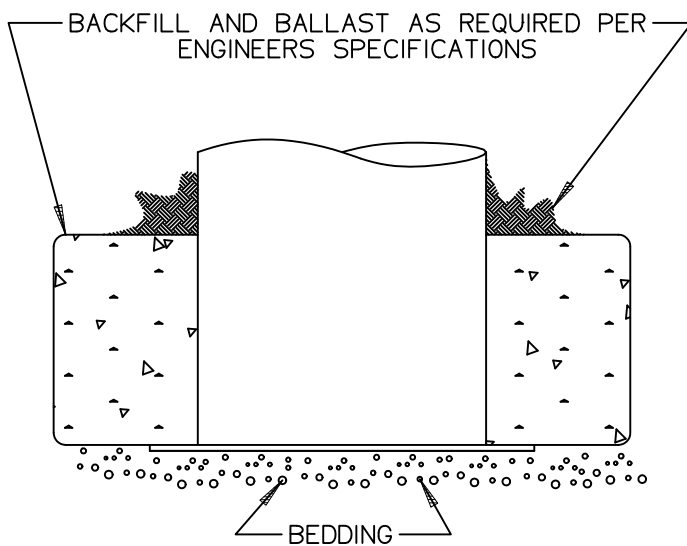
DETAIL SHEET,
GATORGRINDER STATION

NA0060P02

GH091 -60



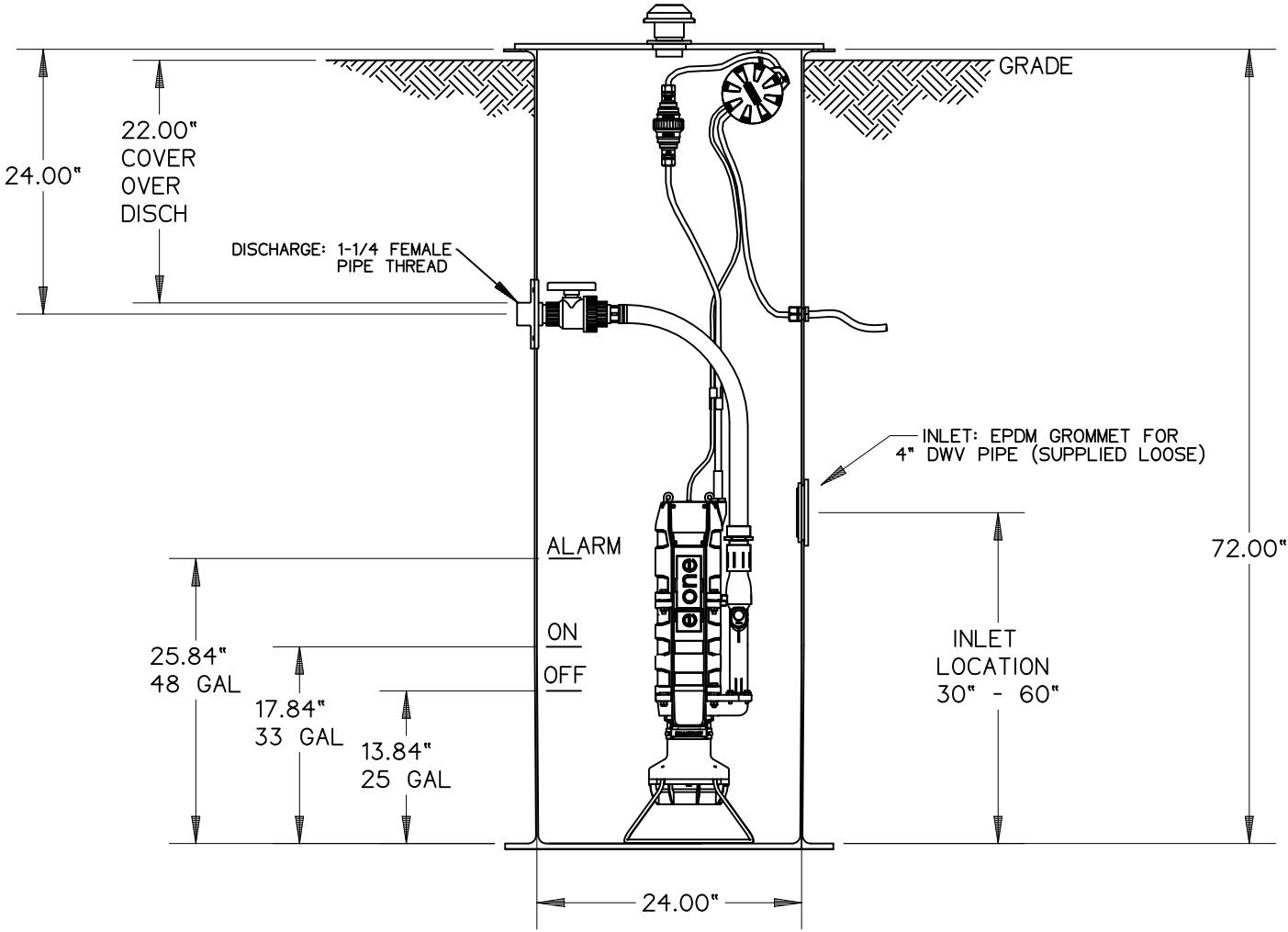
TANK BASE DETAIL



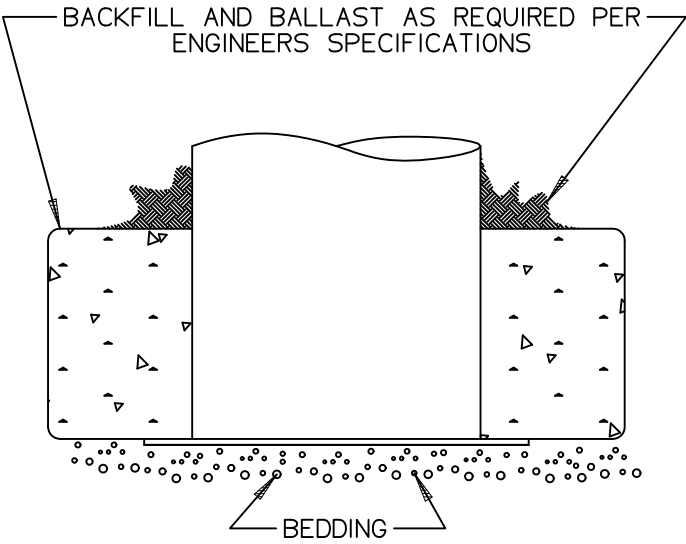
TANK VOLUME (INTERNAL) = 15.7 cu ft/117.5 gal
 TANK WEIGHT W/LID = 71 lbs

AD	PJD	12/27/21	B	
DR BY	CHK'D	DATE	ISSUE	SCALE
<h1 style="margin: 0;">Gatorgrinder</h1>				
GATORGRINDER STATION 60"				
NA0060P04				

GH091-72



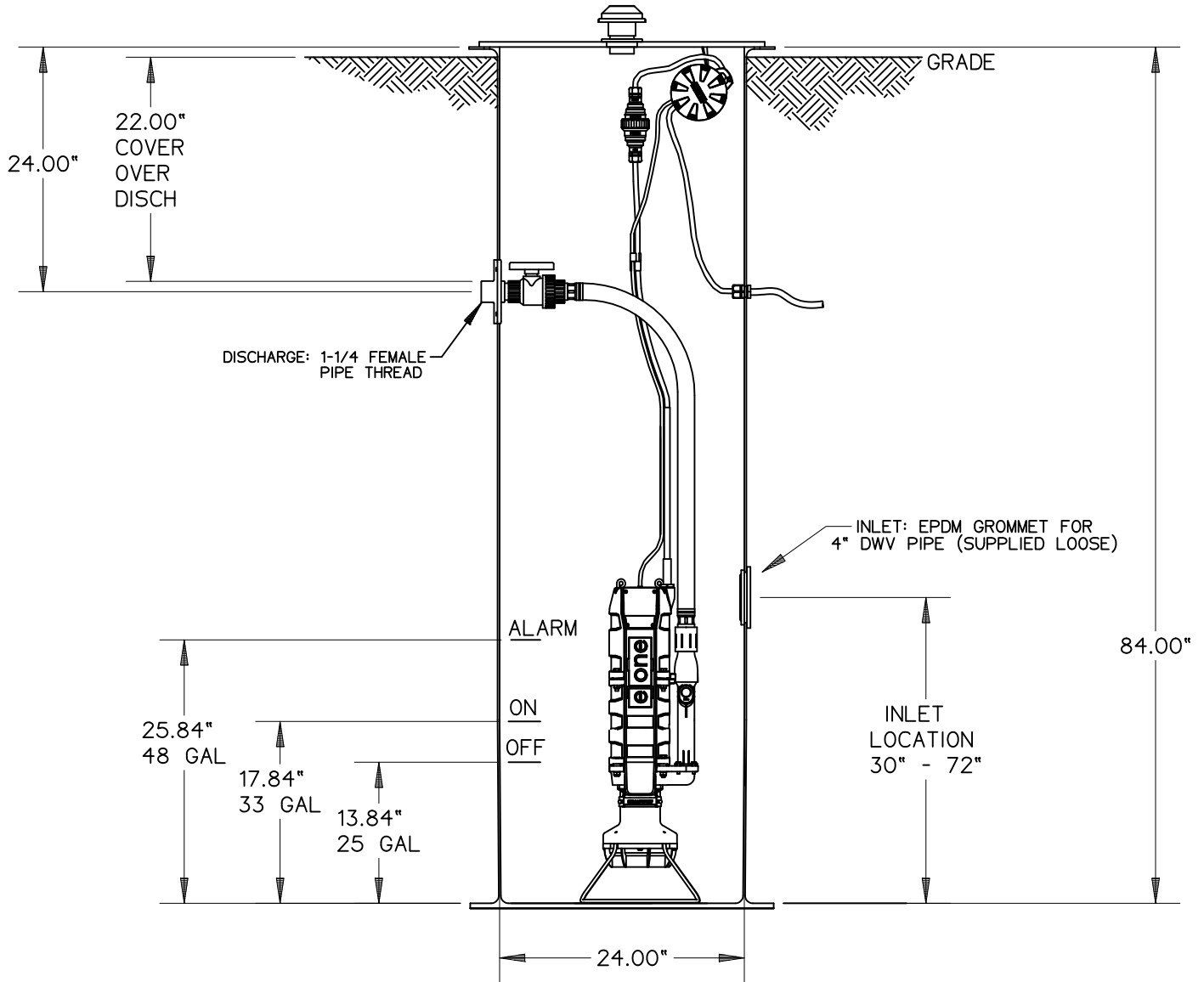
TANK BASE DETAIL



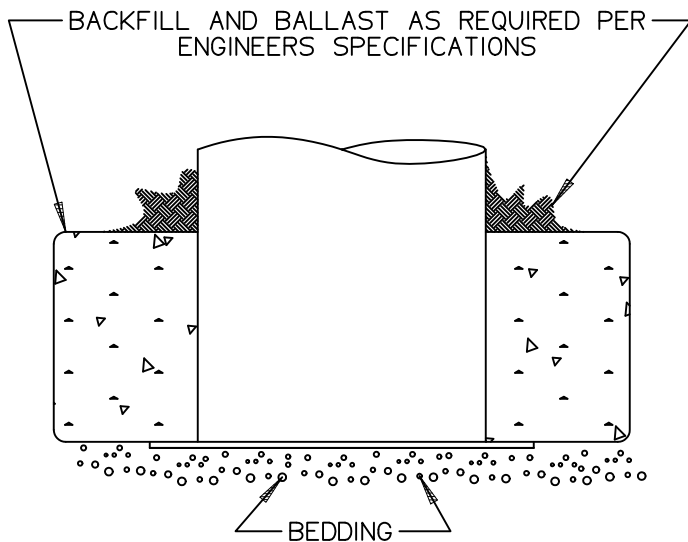
TANK VOLUME (INTERNAL) = 18.8 cu ft/140.7 gal
 TANK WEIGHT W/LID = 81 lbs

AD	PJD	12/29/21	B	
DR BY	CHK'D	DATE	ISSUE	SCALE
Gatorgrinder				
GATORGRINDER STATION 72"				
NA0060P05				

GH091-84



TANK BASE DETAIL



TANK VOLUME (INTERNAL) = 21.9 cu ft/163.9 gal
 TANK WEIGHT W/LID = 90 lbs

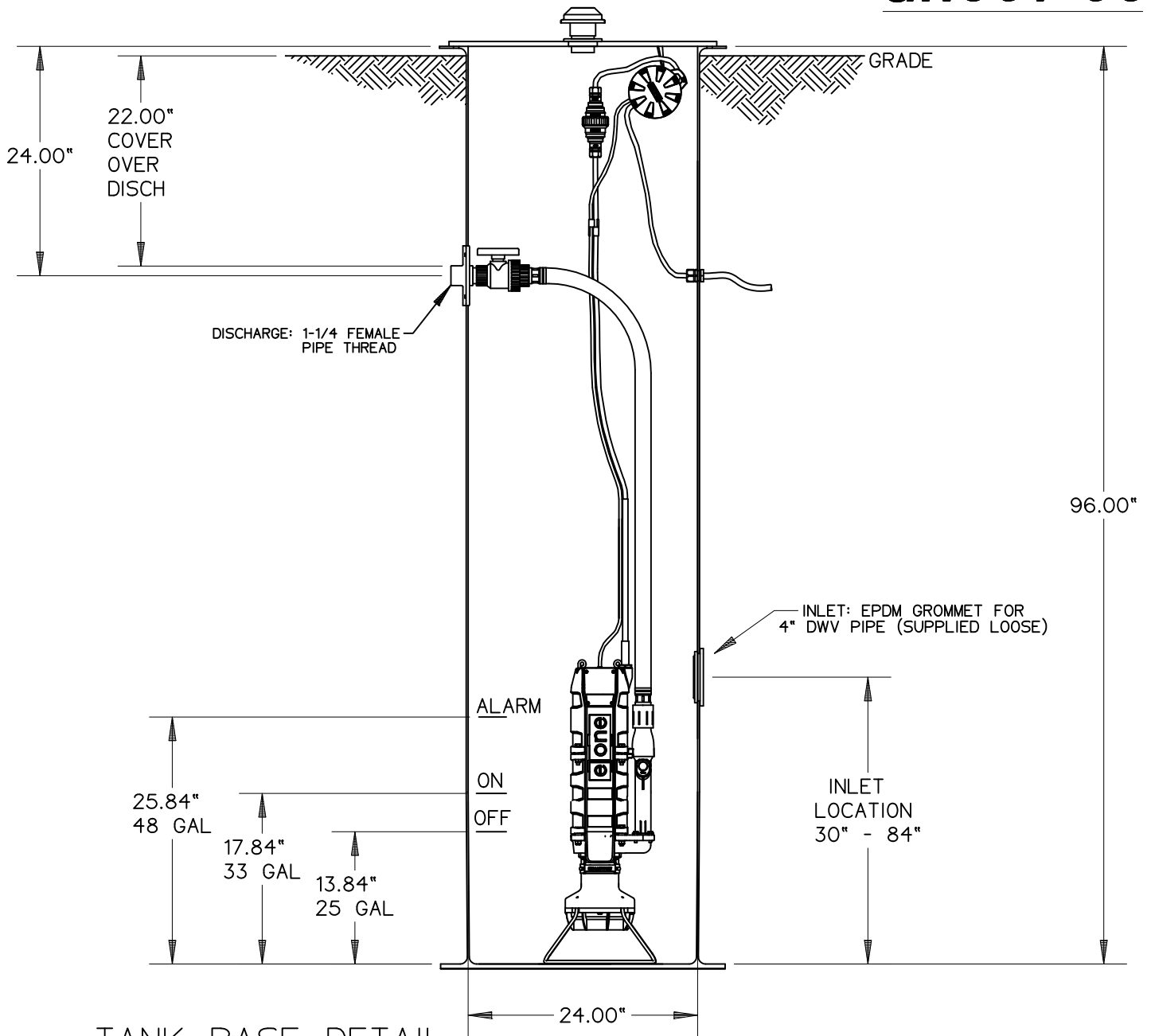
AD	PJD	12/29/21	B	
DR BY	CHK'D	DATE	ISSUE	SCALE

Gatorgrinder

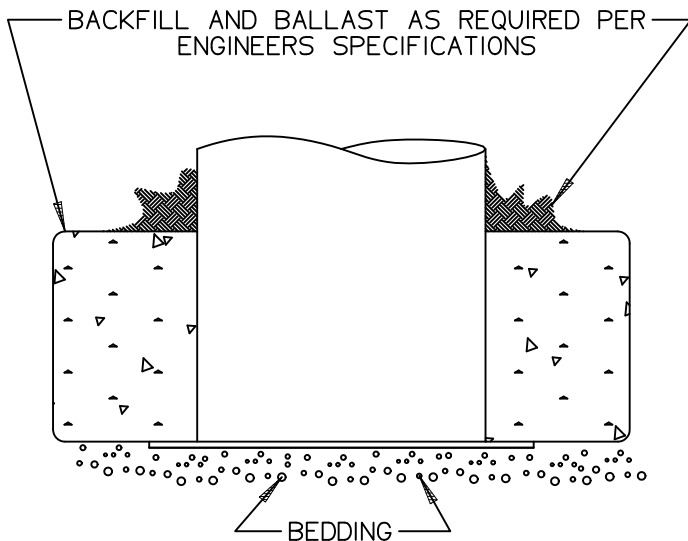
GATORGRINDER STATION
84"

NA0060P06

GH091 -96



TANK BASE DETAIL



TANK VOLUME (INTERNAL) = 25.1 cu ft/140.7 gal
 TANK WEIGHT W/LID = 99 lbs

AD	PJD	12/30/21	B	
DR BY	CHK'D	DATE	ISSUE	SCALE

Gatorgrinder

GATORGRINDER STATION
96"

NA0060P07