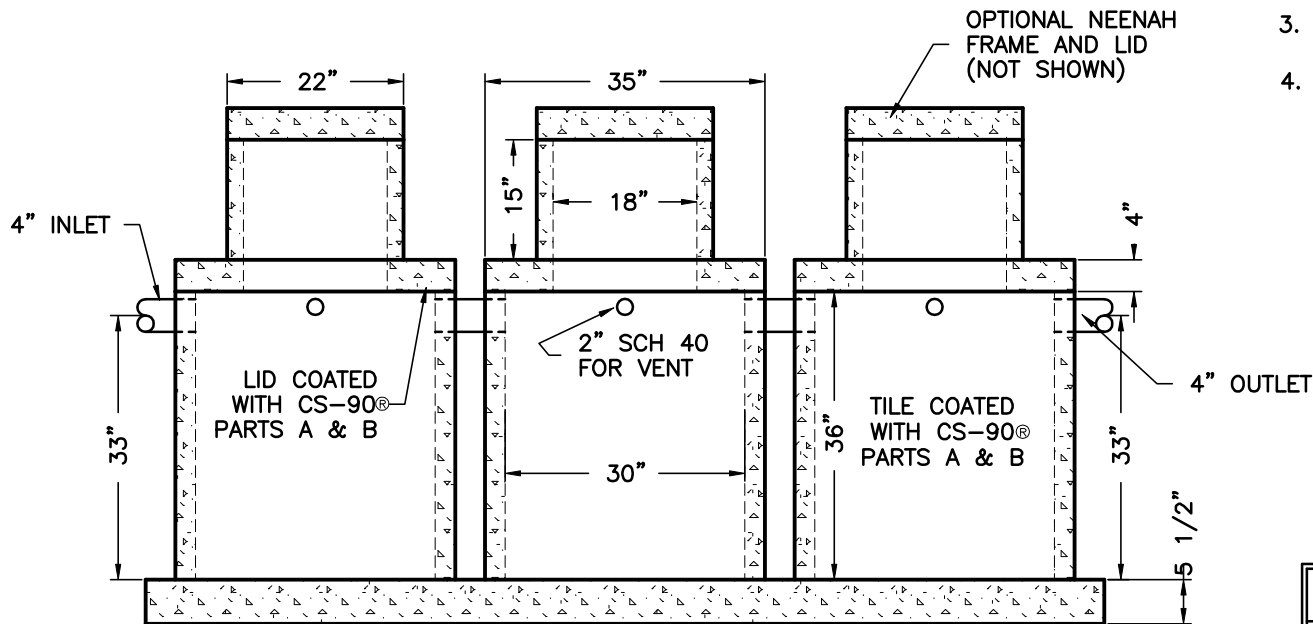


PLAN VIEW



SECTION A-A

GENERAL NOTES

1. FOUR PVC BAFFLES PROVIDED. POLYLOK® SEAL CAST IN CONCRETE & SEALED WITH CS-440® SEALER
2. INFORMATION SHOWN IS FOR FOOT TRAFFIC (HEAVY DUTY TRAFFIC DESIGN AVAILABLE)
3. SIZED FOR UP TO 8000 SF FACILITY (AS SHOWN)
4. IF THIS INTERCEPTOR IS USED IN A LOCATION WITHOUT MUNI. SEWER, EFFLUENT CAN BE DISCHARGED INTO A HOLDING TANK THAT CAN BE PUMPED OUT BY ANY LICENSED PUMPER. A HAZARDOUS MATERIALS PUMPER WOULD NOT BE REQUIRED

TRIPLE GARAGE SET GAS/OIL INTERCEPTOR

REX VAULT & MAUSOLEUM SERVICE, INC

Phone
(618) 783 2416
(800) 669-2416

P.O. BOX 323
NEWTON, IL 62448

Fax
(618) 783-3867

EMAIL: contactus@rexvault.com