



"Partnering to Provide Cool, Clean Air"

STOCK CATALOG

2020

1004 Makepono St. Bldg B, Honolulu, HI 96819

Phone: (808) 845 - 2888

Fax: (808) 841 - 6776

Email: sales@mapcohawaii.com

www.mapcohawaii.com



"Partnering to Provide Cool, Clean Air"

1004 Makepono Street, Building B
Honolulu, Hawaii 96819
Phone: (808) 845-2888 | Fax: (808) 841-6776
sales@mapcohawaii.com

Mission Statement

Partnering to Provide Cool, Clean Air

Vision Statement

To establish quality resources, knowledge, and products for mechanical contractors and end users in the State of Hawaii where Customers and MAPCO employees all can benefit.

History of MAPCO

In 1993, Minco, Inc. purchased Air Filter Sales Hawaii as a supplier of air conditioning filters and housings.

In 1999, Air Filter Sales Hawaii expanded into the mechanical ventilation and accessories (HVAC) market. The company name was changed to MAPCO.

Today, MAPCO represents the best manufacturers of HVAC products. Our employees have the dedication, product knowledge, and experience to assist you.

We thank you for your business and we look forward to supporting you in the years to come.



"Partnering to Provide Cool, Clean Air"

1004 Makepono Street, Building B

Honolulu, Hawaii 96819

Phone: (808) 845-2888 | Fax: (808) 841-6776

sales@mapcohawaii.com



Air Filtration



*Custom Disposable
& Pleated Filters*



Air Filtration



Aluminum S/S Filters



*Single/Multi Zone
Split System*



Ventilation Fan



Access Panels & Roof Hatches



Ventilation Fans



*Flex Connectors,
Damper Accessories*



*Security Bars
& Duct Access Doors*



*Air Distribution,
& VAV Terminals*



*Vibration Isolators, Seismic
Inertia Bases*



Ventilation Fans



*Fire/Smoke, Control Dampers,
Louvers/Duct Silencers*



*S/S Kitchen Hoods, Pollution
Control Units*



Flexible Duct



Air Curtains



*Fiberglass Ductwork Systems
Dampers, Scrubber Vessels,
Chemical Storage Tanks*

Please Contact Us for More Information Regarding Our Product Lines.

Curtis Kenmotsu - curtis@mapcohawaii.com

Dwight Okumoto - dwight@mapcohawaii.com

Representing and Distributing

BERNER	Air Curtains
BROAN	Ventilation Fans
CASCO / CAL-FLEX	Flexible Duct
DYNASONICS	Duct Silencers
FANTECH	Ventilation Fans
FILTRATION GROUP	Air Filtration
FLANDERS	Air Filtration
GAYLORD	S/S Kitchen Hoods, Pollution Control Units
KEE'S INC.	Security Bars, Duct Access Doors
LG	Duct Free Air conditioning Solutions
LOREN COOK	Ventilation Fans
MAPCO	Sheetmetal Accessories, Custom Disposable & Pleated Filters
METALAIRE	Air Distribution, VAV Terminals
NYSTROM	Access Panels, Roof Hatches
POTTORFF	Fire/Smoke, Control Dampers, Louvers
SMITH FILTERS	Aluminum S/S Filters
SPUNSTRAND	Fiberglass Ductwork System Dampers, Scrubber Vessels, Chemical Storage Tanks
VENTFABRICS	Flex Connectors, Concealed Regulators, Remote Dampers, Damper Accessories
VMC GROUP	Vibration Isolators, Seismic, Inertia Bases



"Partnering to Provide Cool, Clean Air"

1004 Makepono Street, Building B
Honolulu, Hawaii 96819
Phone: (808) 845-2888 | Fax: (808) 841-6776
sales@mapcohawaii.com

Table of Contents

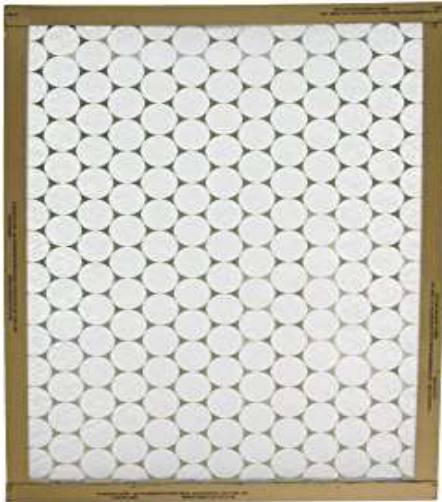
I.	Air Filtration	MERV 4 Polyester Filter / MERV 8 Pleated Filter	1
		MERV 11 & MERV 13 Pleated Filter	2
		MERV 14 Bag Filter / Rigid Cell Filter	3
		Carbon Filter / Filter Accessories	4
II.	Air Devices	Ceiling Diffuser	5 - 6
		Perforated Air Devices	7
		2-Cone Ceiling Diffuser	8
		Panel Face Ceiling Diffuser	9
		Supply Register	10
		Return / Exhaust Register	11 - 12
		Door Grille	12
		Return / Exhaust Filter Register	13
		Cube Core Register	14
		Engineered Polymer Air Devices	15 - 16
Air Terminal Unit (VAV)	17 - 19		
III.	Fans	Loren Cook Exhaust Fan & Accessories	20 - 24
		Wall & Roof Cap	25
		Fantech Exhaust Fans & Accessories	27 - 31
IV.	Sheetmetal Accessories	Insulated & Uninsulated Flexible Duct	32
		Duct Taper, Starting Collar & Damper Disk	33
		Snap Lock Pipe, 90-Deg. Elbow & Round Neck Adapter	34
		Sure Fit Taper & Bellmouth Tap w Damper	35
		Duct Flex Connectors, Damper Regulator & Bearings	36
		Ventlock Regulator, Quadrant & Miter Gears	37
		Isolators	38
V.	Duct Access Doors/Panels	Fiberglass Insulated Access Door	39
		Non-Rated & Fire Rated Access Panel	40
VI.	Duct Free/ Split Air Conditioning Systems	Duct Free Split Systems	41 - 42
		Packaged Terminal Air Conditioners	43
		LG Parts & Accessories	44

AIR FILTRATION - FILTERS

MERV 4 Polyester Filter & MERV 8 Pleated Filters

MERV 4 AIR FILTERS

POLYESTER AIR FILTER, AVAILABLE IN 1" OR 2"



Size (In Inches)			
10 x 20 x 1	14 x 25 x 1	20 x 25 x 1	20 x 25 x 2
10 x 24 x 1	15 x 20 x 1	24 x 24 x 1	16 x 24 x 2
10 x 30 x 1	16 x 20 x 1	25 x 25 x 1	18 x 24 x 2
12 x 20 x 1	16 x 25 x 1	12 x 24 x 2	20 x 24 x 2
12 x 24 x 1	18 x 25 x 1	16 x 20 x 2	24 x 24 x 2
12 x 25 x 1	20 x 20 x 1	16 x 25 x 2	
14 x 20 x 1	20 x 30 x 1	20 x 20 x 2	

MERV 8 AIR FILTERS

PLEATED AIR FILTERS, AVAILABLE IN 1", 2" OR 4"



Size (In Inches)		
12 x 24 x 1	12 x 24 x 2	12 x 24 x 4
16 x 20 x 1	16 x 20 x 2	16 x 20 x 4
16 x 25 x 1	16 x 25 x 2	16 x 25 x 4
20 x 20 x 1	20 x 20 x 2	20 x 20 x 4
20 x 25 x 1	20 x 25 x 2	20 x 25 x 4
24 x 24 x 1	24 x 24 x 2	24 x 24 x 4

- Actual Depth is 1/4" - 1/2" Less
- Actual Height & Width for All Special Size is Less 1/2"
- Available in Standard and High Capacity

Need a custom size? We can make your size requirements.

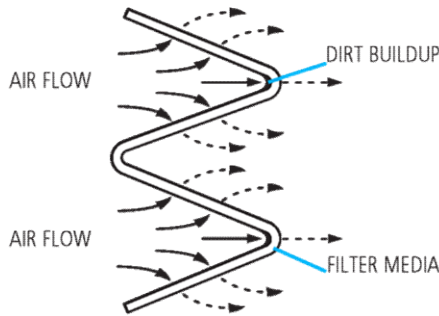
Email sales@mapcohawaii.com or Fax 808-841-6776

AIR FILTRATION - FILTERS

MERV 11 & MERV 13 Pleated Filters

MERV 11 AIR FILTERS

PLEATED AIR FILTER, AVAILABLE IN 2"



Size (In Inches)	
12 x 24 x 2	
16 x 20 x 2	
16 x 25 x 2	
20 x 20 x 2	
20 x 25 x 2	
24 x 24 x 2	

- MERV 11 (Per ASHRAE Standard 52.2)
- 200 Grams plus, of Dust Holding Capacity @ 1.5 in w.g.
- 60 - 65% Efficiency

MERV 13 AIR FILTERS

PLEATED AIR FILTER, AVAILABLE IN 1" OR 2"



Size (In Inches)	
12 x 24 x 1	12 x 24 x 2
16 x 20 x 1	16 x 20 x 2
16 x 25 x 1	16 x 25 x 2
20 x 20 x 1	20 x 20 x 2
20 x 25 x 1	20 x 25 x 2
24 x 24 x 1	24 x 24 x 2

- Meets LEED Green Building Rating System Criteria
- 80 - 90% Efficiency

Need a custom size? We can make your size requirements.

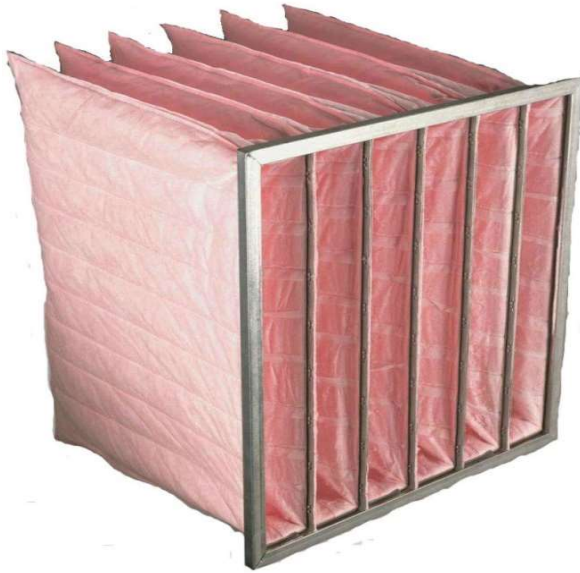
Email sales@mapcohawaii.com or Fax 808-841-6776

AIR FILTRATION - FILTERS

MERV 14 Bag Filters & Rigid Cell Filter

MERV 14 BAG FILTERS

POCKET FILTER, SPUN GLASS OR SYNTHETIC



Nominal Size (In Inches)			
Width	Height	Depth	# of Pockets
24	24	22	6
12	24	22	3 - 4

- Medium to High Efficiency
- Avg. Efficiency Ranges of 55%, 65%, 85% and 95% Per ASHRAE Standard 52.1
- Operating Face Velocities Up to 623 FPM
- Actual Header is Less 5/8" Nominal Size

MERV 14 RIGID CELL FILTERS

SINGLE HEADER, SYNTHETIC RIGID CELL



Nominal Size (In Inches)			
Width	Height	Depth	Efficiency
24	24	12	95%
24	12	12	95%

- Lofted Ultra Fine Synthetic Media Eliminates Fiber Shedding
- Contact us at SALES@MAPCOHAWAII.COM for Custom Double, Single, or No Headers

Need a custom size? We can make your size requirements.

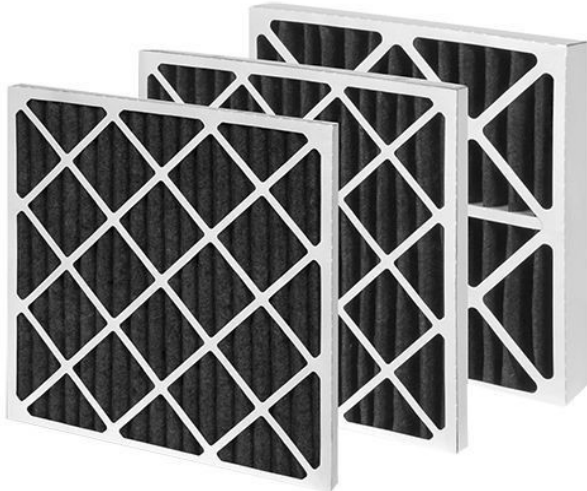
Email sales@mapcohawaii.com or Fax 808-841-6776

AIR FILTRATION - FILTERS

Carbon Filters & Filter Accessories

PLEATED CARBON FILTERS

AVAILABLE IN 1" OR 2"



Size (In Inches)	
16 x 20 x 1	16 x 20 x 2
16 x 25 x 1	16 x 25 x 2
20 x 20 x 1	20 x 20 x 2
20 x 25 x 1	20 x 25 x 2
24 x 24 x 1	24 x 24 x 2

FILTER ACCESSORIES

FILTER MEDIA, FILTER PADS & PAN TABLETS

FILTER MEDIA ROLL



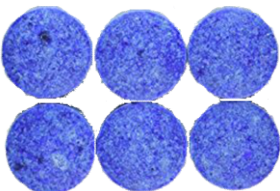
FILTER PADS



Item	Size (In Inches)	Qty (In Ft.)
Polyester Roll	36 x 1	135' / Roll
Polyester Roll	20 x 1	135' / Roll
Polyester Roll	25 x 1	135' / Roll

• Contact us at sales@mapcohawaii.com for Filter Pads Sizes

PAN TABS - CONTROLLED RELEASE CONDENSATE PAN TABLET

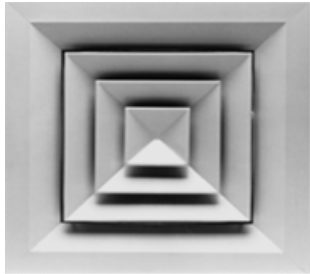


- 24 pcs/bottle or 6 bottle/case
- Prevents Algae & Slime Build-Up in the Condensate Drain Pan

Need a custom size? We can make your size requirements.

Email sales@mapcohawaii.com or Fax 808-841-6776

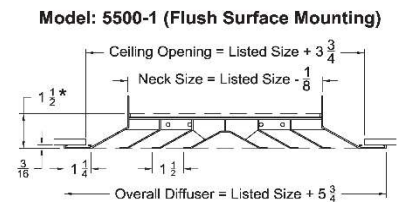
AIR DEVICES - CEILING DIFFUSERS
 5000 Series - Surface Mounted



- Extruded Aluminum Square Louvered Face
- Spring Loaded Removable Cores
- Aluminum Opposed Blade Damper (D5A)
- White Finish

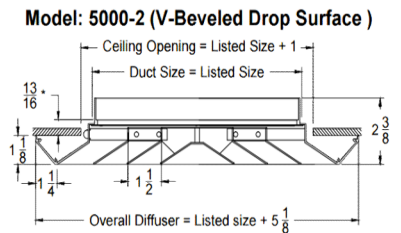
5500-1 FLUSH FACE SURFACE MOUNTED w/ D5A DAMPER

Neck Size	1-Way	2-Way Corner	2-Way Opp.	3-Way	4-Way	400 FPM
6 x 6	X	X	X	X	X	100 CFM
9 x 9	X	X	X	X	X	225 CFM
12 x 12	X	X	X	X	X	400 CFM
15 x 15	X	X	X	X	X	625 CFM
18 x 18			X	X	X	900 CFM
21 x 21				X	X	1225 CFM



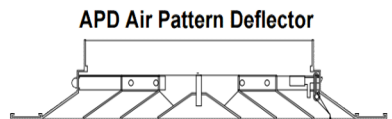
5000-2 BEVELED FACE SURFACE MOUNTED w/ D5A DAMPER

Neck Size	1-Way	2-Way Corner	2-Way Opp.	3-Way	4-Way	400 FPM
6 x 6					X	100 CFM
9 x 9					X	225 CFM
12 x 12					X	400 CFM
15 x 15					X	625 CFM
18 x 18					X	900 CFM



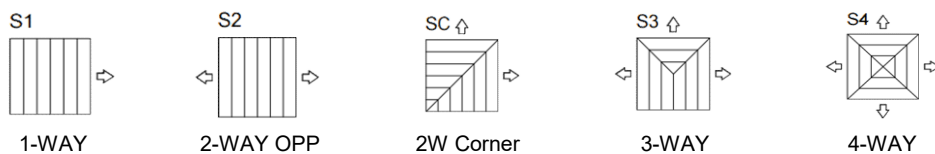
5000-1 APD SURFACE MOUNTED W/ D5A & ADJ. PATTERN CONTROLLER
 (ALLOWS ADJUSTMENT FROM HORIZONTAL TO VERTICAL FROM FACE OF DIFFUSER)

Neck Size	1-Way	2-Way Corner	2-Way Opp.	3-Way	4-Way	400 FPM
6 x 6					X	100 CFM
9 x 9					X	225 CFM
12 x 12					X	400 CFM
15 x 15					X	625 CFM
18 x 18					X	900 CFM



Optional APD Adjustable Pattern Deflector Vane
 - Available for all 5000 series borders and sizes.
 - Cannot be used with IV Induction Vanes option,
 - APDs are factory mounted.

AIR PATTERNS AVAILABLE



Air Patterns
 "S" prefix = Square Shape

AIR DEVICES - CEILING DIFFUSERS

5000 Series - Lay In T-Bar

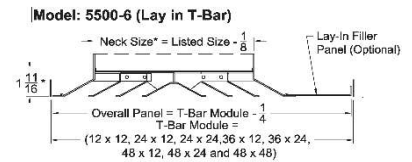


- Extruded Aluminum Square Louvered Face
- Spring Loaded Removable Cores
- Aluminum Opposed Blade Damper (D5A)
- White Finish

5500-6

T-BAR, LAY-IN, 24x24 MODULE w/ D5A DAMPER

Neck Size	1-Way	2-Way Corner	2-Way Opp.	3-Way	4-Way	400 FPM
6 x 6	X	X	X	X	X	100 CFM
9 x 9	X	X	X	X	X	225 CFM
12 x 12	X	X	X	X	X	400 CFM
15 x 15	X	X	X	X	X	625 CFM
18 x 18	X	X	X	X	X	900 CFM
21 x 21					X	1225 CFM

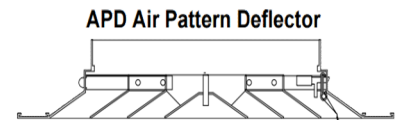


* Filler panel included for neck sizes under 18 x 18 to fit in 24 x 23, 24 x 24 T-bar grid, (6 x 6, 9 x 9, 12 x 12 and 15 x 15 include filler panel).

5000-6 APD

T-BAR, LAY-IN W/ D5A & ADJ. PATTERN CONTROLLER

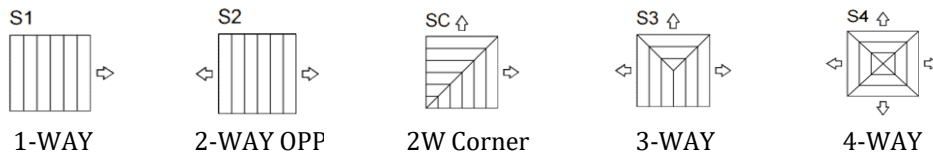
Neck Size	1-Way	2-Way Corner	2-Way Opp.	3-Way	4-Way	400 FPM
6 x 6					X	100 CFM
9 x 9					X	225 CFM
12 x 12					X	400 CFM
15 x 15					X	625 CFM
18 x 18					X	900 CFM



Optional APD Adjustable Pattern Deflector Vane

- Available for all 5000 series borders and sizes,
- Cannot be used with IV Induction Vanes option,
- APDs are factory mounted.

AIR PATTERNS AVAILABLE



Air Patterns

"S" prefix = Square Shape

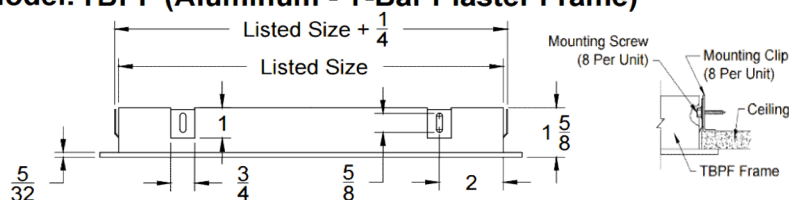
TBPF - T-BAR PLASTER FRAME

(ALLOWS ADJUSTMENT FROM HORIZONTAL TO VERTICAL FROM FACE OF DIFFUSER)



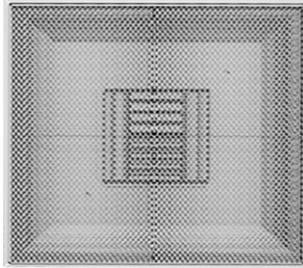
SIZE (In Inches)
12 x 12
24 x 24

Model: TBPF (Aluminum - T-Bar Plaster Frame)



AIR DEVICES - PERFORATED

7600-6 AF & 7650-6 AF - Lay In T-Bar

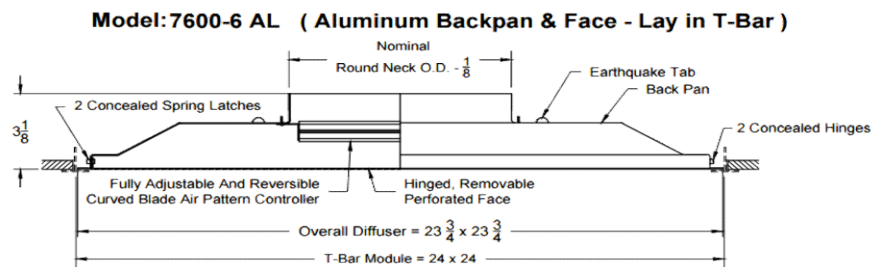


- Steel Back pan & Aluminum Face
- Hinged & Fully Removable Perforated Face
- Curved Blade 4-Way Pattern Controller
- White Finish

7600-6 AF

Neck Size	400 FPM
6"Ø	80 CFM
8"Ø	140 CFM
10"Ø	220 CFM
12"Ø	315 CFM
14"Ø	425 CFM
16"Ø	560 CFM

T-BAR, LAY-IN, 24x24 MODULE PERFORATED CEILING DIFFUSER

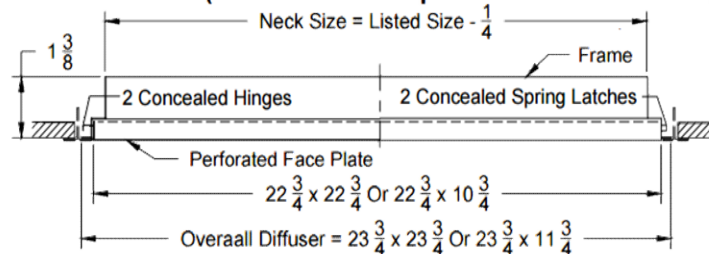


7650R-6 AF

Neck Size	400 FPM
6 x 6	100 CFM
8 x 8	175 CFM
10 x 10	275 CFM
12 x 12	400 CFM
14 x 14	545 CFM
16 x 16	710 CFM
18 x 18	900 CFM
22 x 22	1345 CFM

T-BAR, LAY-IN, 24x24 MODULE PERFORATED RETURN REGISTER

Model: 7650R-6 AL (Aluminum Backpan & Face - 24 x 24 Lay in T-Bar)



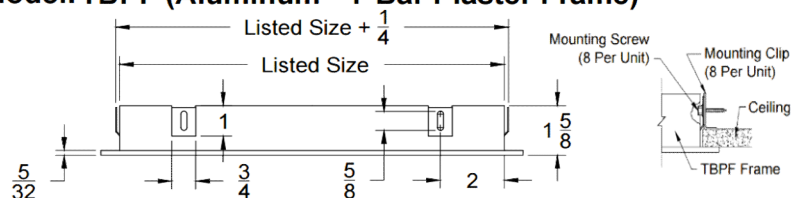
TBPF - T-BAR PLASTER FRAME

(ALLOWS ADJUSTMENT FROM HORIZONTAL TO VERTICAL FROM FACE OF DIFFUSER)



SIZE (In Inches)
12 x 12
24 x 24

Model: TBPF (Aluminum - T-Bar Plaster Frame)

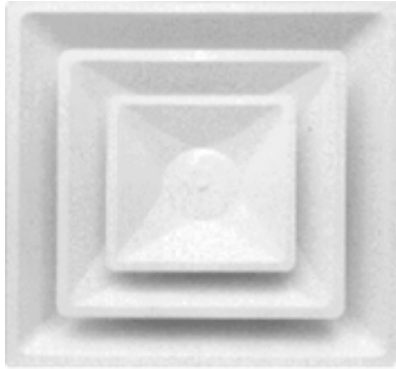


AIR DEVICES - 2-CONE DIFFUSER

5700-6 AL - Lay In T-Bar

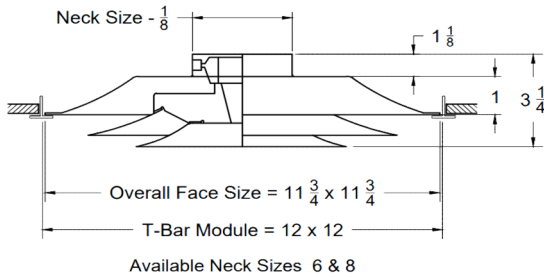
5700-6 AL

LAY IN T-BAR, 2-CONE CEILING DIFFUSER



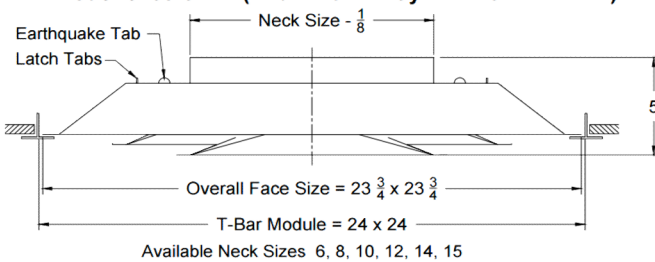
- Aluminum
- Removable 2-Cone Inner Core
- White Finish

Models: 5700-6 AL (Aluminum - Lay in T-Bar - 12 x 12)



Neck Size	Module	400 FPM
6"Ø	12 x 12	80 CFM
8"Ø	12 x 12	140 CFM

Model: 5700-6 AL (Aluminum - Lay in T-Bar - 24 x 24)



Neck Size	Module	400 FPM
6"Ø	24 x 24	80 CFM
8"Ø	24 x 24	140 CFM
10"Ø	24 x 24	220 CFM
12"Ø	24 x 24	315 CFM
14"Ø	24 x 24	430 CFM

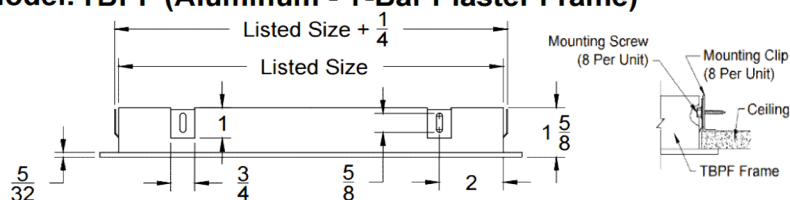
TBPF - T-BAR PLASTER FRAME

(ALLOWS ADJUSTMENT FROM HORIZONTAL TO VERTICAL FROM FACE OF DIFFUSER)



SIZE (In Inches)
12 x 12
24 x 24

Model: TBPF (Aluminum - T-Bar Plaster Frame)

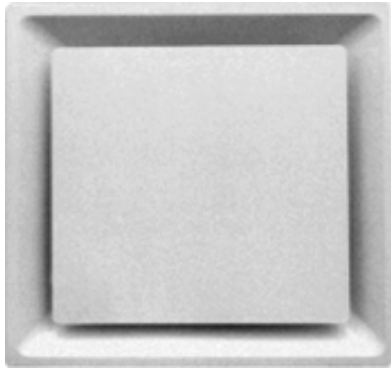


AIR DEVICES - PANEL FACE DIFFUSER

5750-6 AL - Lay In T-Bar

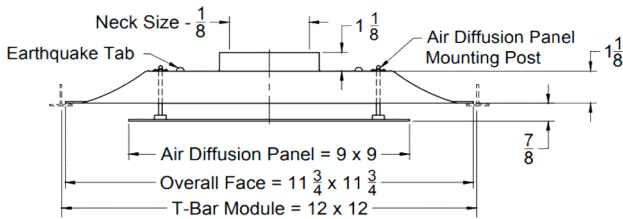
5750-6 AL

LAY IN T-BAR, PANEL FACE CEILING DIFFUSER



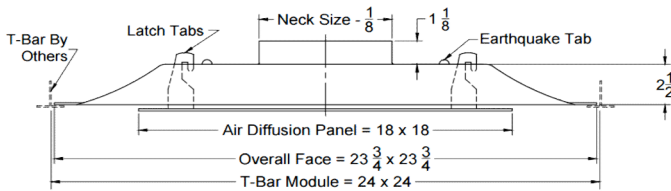
- Aluminum Construction
- Face Panel Is Easily Removed & Installed Without Tools
- White Finish

Models: 5750-6 AL (Aluminum - Lay in T-Bar - 12 x 12)



Neck Size	Module	400 FPM
6"Ø	12 x 12	80 CFM
8"Ø	12 x 12	140 CFM

Model: 5750-6 AL (Aluminum - Lay in T-Bar - 24 x 24)



Neck Size	Module	400 FPM
6"Ø	24 x 24	80 CFM
8"Ø	24 x 24	140 CFM
10"Ø	24 x 24	220 CFM
12"Ø	24 x 24	315 CFM
14"Ø	24 x 24	430 CFM

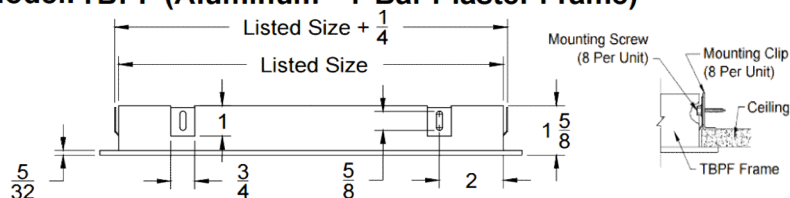
TBPF - T-BAR PLASTER FRAME

(ALLOWS ADJUSTMENT FROM HORIZONTAL TO VERTICAL FROM FACE OF DIFFUSER)



SIZE (In Inches)
12 x 12
24 x 24

Model: TBPF (Aluminum - T-Bar Plaster Frame)

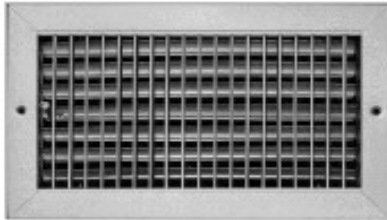


AIR DEVICES - SUPPLY REGISTERS

V4004-1 - Surface Mounted

V4004-1

SURFACE MOUNTED, VERTICAL FRONT BLADE SUPPLY REGISTER

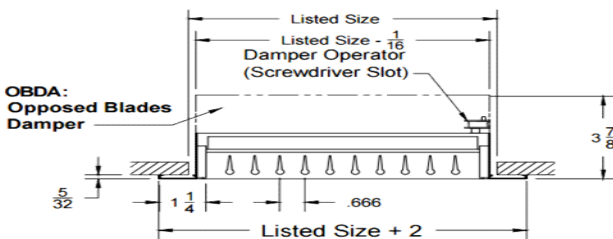


- Aluminum Construction
- Double Deflection Adjustable Blade
- Aluminum Opposed Blade Damper
- White Finish

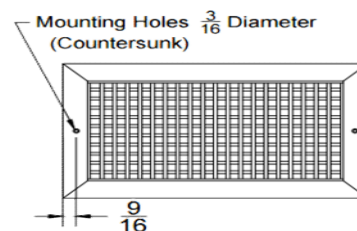
Neck Sizes				
6 x 4	14 x 6	18 x 12	24 x 4	30 x 12
6 x 6	14 x 8	18 x 14	24 x 6	
	14 x 10	18 x 18	24 x 8	36 x 4
8 x 4	14 x 12		24 x 10	36 x 6
8 x 6	14 x 14	20 x 4	24 x 12	36 x 8
8 x 8		20 x 6	24 x 14	36 x 10
	16 x 4	20 x 8	24 x 16	36 x 12
10 x 4	16 x 6	20 x 10	24 x 24	
10 x 6	16 x 8	20 x 12		48 x 12
10 x 8	16 x 10	20 x 14	26 x 6	
10 x 10	16 x 12	20 x 20	26 x 8	
	16 x 16		26 x 10	
12 x 4		22 x 6		
12 x 6	18 x 4	22 x 8	30 x 4	
12 x 8	18 x 6	22 x 10	30 x 6	
12 x 10	18 x 8	22 x 16	30 x 8	
12 x 12	18 x 10	22 x 18	30 x 10	

*Sizes shown (in inches) are common stock sizes

**Model: V4004-1 (Double Deflection Register)
 (With Damper-Vertical Front Blades)**



**Face View (Double Deflection)
 (Vertical Front Blades)**



AIR DEVICES - RETURN/EXHAUST REGISTER

RHE-1 - Surface Mounted

RHE-1 SURFACE MOUNTED, EXTRUDED ALUMINUM RETURN AIR REGISTER

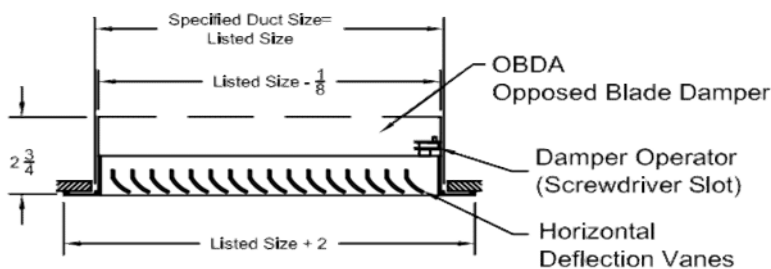


- Extruded Aluminum Construction
- Aluminum Opposed Blade Damper
- White Finish

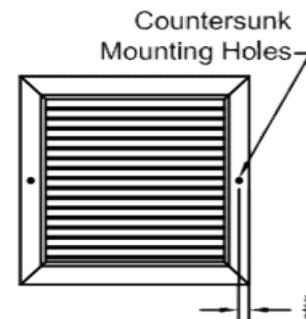
Neck Sizes				
6 x 4	12 x 18	18 x 4	24 x 6	36 x 8
6 x 6	12 x 12	18 x 6	24 x 8	36 x 12
		18 x 10	24 x 10	36 x 18
8 x 4	14 x 6	18 x 12	24 x 12	36 x 20
8 x 6	14 x 8	18 x 18	24 x 18	36 x 24
8 x 8	14 x 12		24 x 20	36 x 36
	14 x 14	20 x 6	24 x 24	
10 x 6	14 x 20	20 x 8		42 x 18
10 x 8		20 x 12	26 x 06	
10 x 10	16 x 6	20 x 14		46 x 22
	16 x 8	20 x 20	28 x 26	
12 x 4	16 x 10			48 x 08
12 x 6	16 x 14	22 x 8	30 x 18	48 x 12
12 x 8	16 x 16	22 x 22	30 x 24	48 x 24

*Sizes shown (in inches) are common stock sizes

**Model: RHE-1 OBD (Return Register - Surface Mount)
 with Opposed Blade Damper**



Face View (Model RHE-1)



AIR DEVICES - RETURN/EXHAUST REGISTER

RHE-6 - Lay In T-Bar & DGDF Door Grille

RHE-6

LAY IN T-BAR, 24x24 MODULE RETURN AIR REGISTER



Neck Size	Module
22 x 10	24 x 12
6 x 6	24 x 24
8 x 8	24 x 24
10 x 10	24 x 24
12 x 12	24 x 24

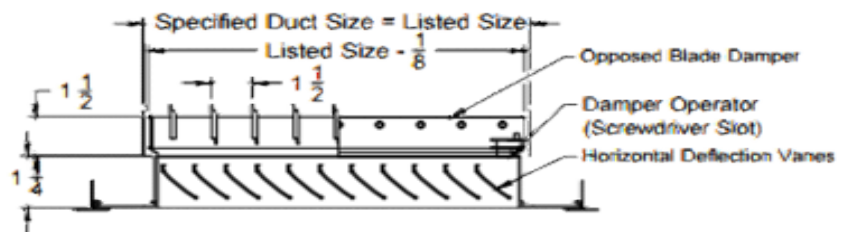
*Size in Inches

Neck Size	Module
14 x 14	24 x 24
16 x 16	24 x 24
18 x 18	24 x 24
22 x 22	24 x 24
46 x 22	48 x 24

*Size in Inches

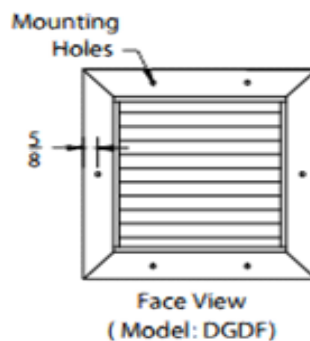
- Aluminum Construction
- White Finish
- Alum. Opposed Blade Damper

Model: RHE-6 OBD (Return Register - with Opposed Blade Damper - Lay In T-Bar)



DGDF

SURFACE MOUNTED, DOUBLE FLANGE LOUVERED DOOR GRILLE

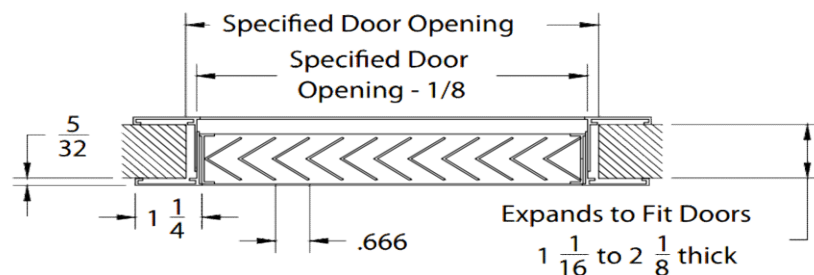


Neck Size
12 x 12
16 x 16
18 x 18
24 x 24

*Size in Inches

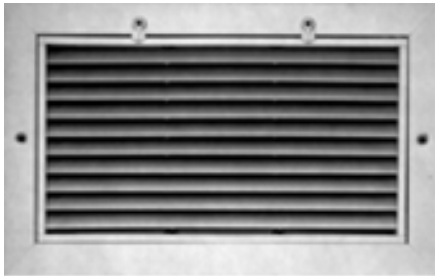
- Extruded Alum. Construction
- White Finish

Model : DGDF (Door / Transfer Grille - Double Flange Frame)



AIR DEVICES - RETURN/EXHAUST FILTER REGISTER

RHEF-1 - Surface Mounted & RHEF-6 - Lay In T-Bar



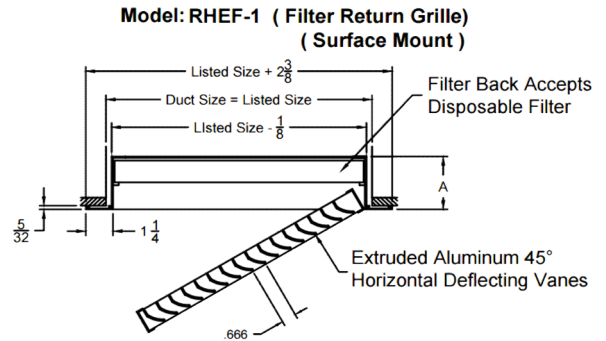
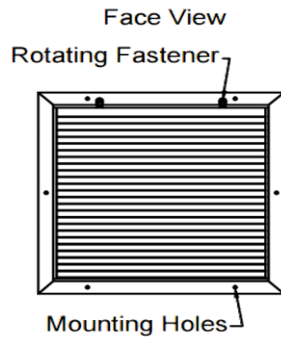
- Extruded Aluminum Construction
- Aluminum Opposed Blade Damper
- White Finish

RHEF-1

SURFACE MOUNTED, FILTER BACK RETURN REGISTER

Neck Size
12 x 12
22 x 22
24 x 24

*Size in Inches

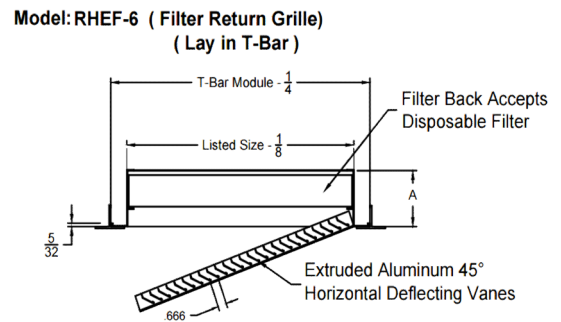
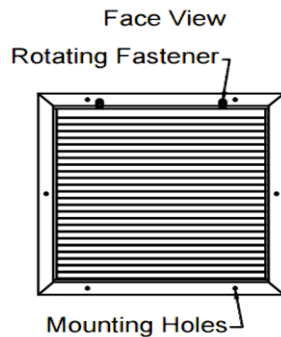


RHEF-6

SURFACE MOUNTED, 24x24 MODULE FILTER BACK RETURN REGISTER

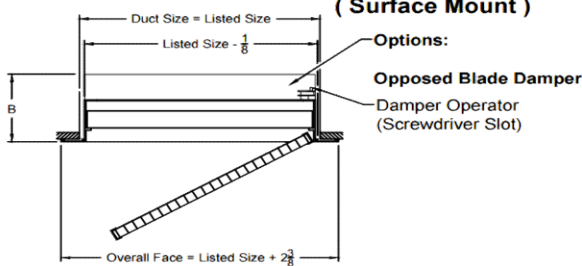
Neck Size
20 x 20
22 x 22

*Size in Inches

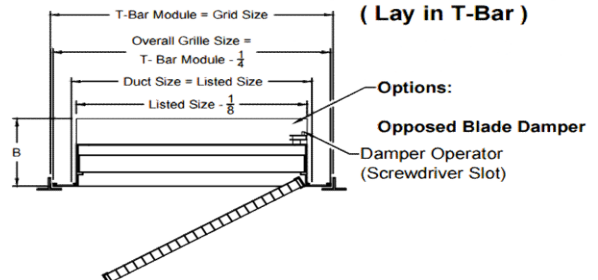


DAMPER OPTIONS

Damper Options: RHEF-1 (Filter Return Grille) (Surface Mount)

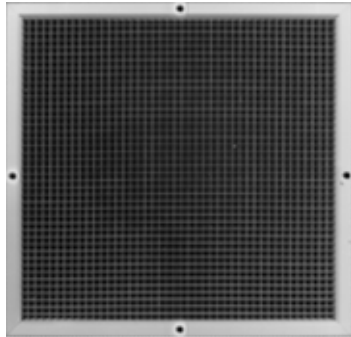


RHEF-6 (Filter Return Grille) (Lay in T-Bar)



AIR DEVICES - CUBE CORE REGISTER

CC5 Model - Surface Mounted & Lay In T-Bar



- 1/2" x 1/2" x 1/2" Grid Cores
- Aluminum Construction
- White Finish

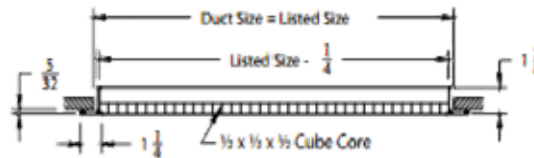
CC-5-1

SURFACE MOUNTED, ALUMINUM GRID CORE REGISTER

Neck Size
8 x 8
10 x 10
12 x 12

*Size In Inches

Model: CC5-1 (Sidewall / Ceiling Return Grille - Surface Mount)



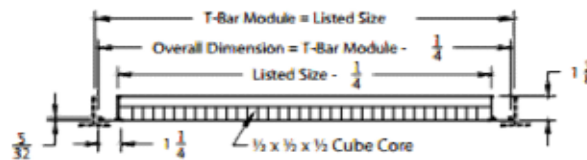
CC-5-6

LAY IN T-BAR, ALUMINUM GRID CORE REGISTER

Neck Size	
22 x 10	24 x 12
12 x 12	24 x 24
22 x 22	24 x 24

*Size In Inches

Model: CC5-6 (Ceiling Return Grille - Lay in T-Bar)



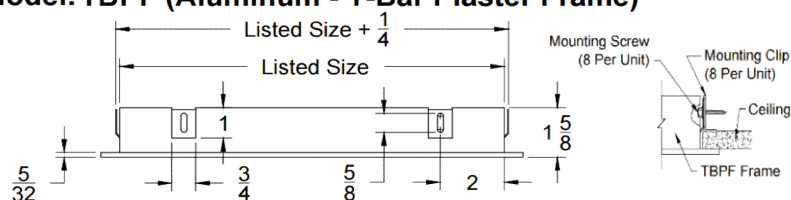
TBPF - T-BAR PLASTER FRAME

(ALLOWS ADJUSTMENT FROM HORIZONTAL TO VERTICAL FROM FACE OF DIFFUSER)



SIZE (In Inches)
12 x 12
24 x 24

Model: TBPF (Aluminum - T-Bar Plaster Frame)



AIR DEVICES - ENGINEERED POLYMER PRODUCTS

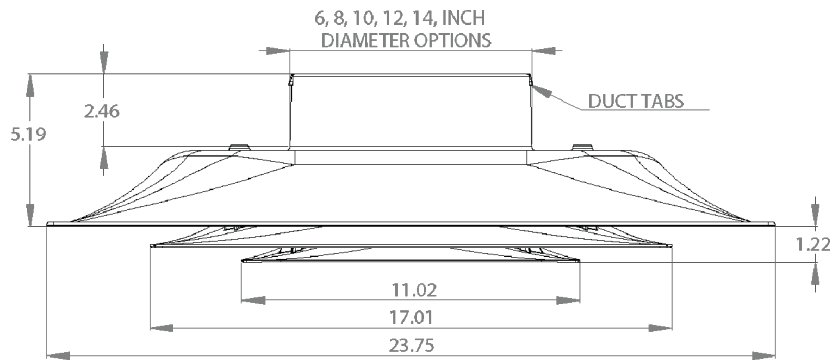
Ceiling Diffusers - Lay In T-Bar

CONE DIFFUSER

LAY IN T-BAR, STRATUS CONE DIFFUSER



- Engineered Polymer Louvered Face Ceiling Diffuser
- Lightweight
- Corrosion Resistant
- White Finish



Neck Size	Module
6"Ø	24 x 24
10"Ø	24 x 24
12"Ø	24 x 24

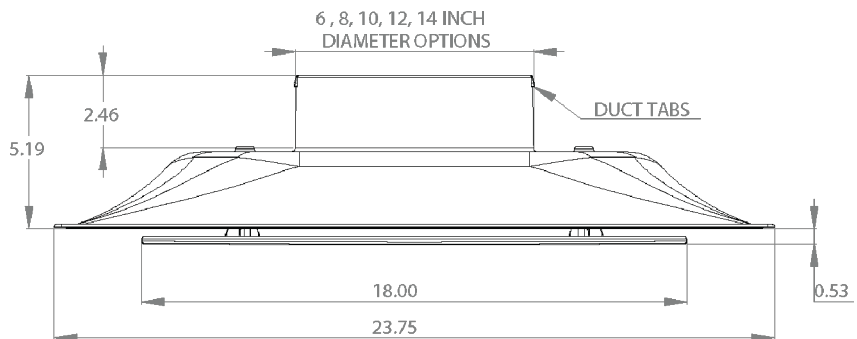
*Size In Inches

PLAQUE DIFFUSER

LAY IN T-BAR, STRATUS PLAQUE DIFFUSER



- Engineered Polymer Louvered Face Plaque Diffuser
- Lightweight
- Corrosion Resistant
- White Finish



Neck Size	Module
6"Ø	24 x 24
10"Ø	24 x 24
12"Ø	24 x 24

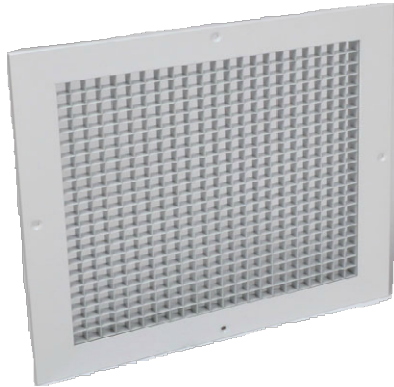
*Size In Inches

AIR DEVICES - ENGINEERED POLYMER PRODUCTS

Eggcrate Return Grill - Lay In T-Bar

EGGCRATE RETURN GRILL

LAY IN T-BAR, EGGCRATE RETURN GRILLE



- Engineered Polymer Eggcrate Return Grill
- Lightweight
- Corrosion Resistant
- White Finish

Neck Size
20 x 20

*Size In Inches

AIR DEVICES - SINGLE DUCT AIR TERMINAL UNIT
TH-500 Series - Variable Air Volume Boxes



- Two Options Available
 - Bare Box - For Customer Installed DDC Controls
 - Analog Controls - Includes Analog Controls, Transformer & Thermostat
- Single Blade Damper
- Standard Internal Insulation
- 1/2" Thick, 1.5 lbs./ft.³, Dual Density Glass Fiber
- 120/24V Transformer

TH-500 SIZES

The standard location for the control panel is Right Hand on Model TH. Looking in the direction of airflow, the control panel is on the right.

The control panel will overhang the top and bottom of Models TH504 - TH506 1" [46 mm]. Control panel mounting surface width by height is 13-7/8" x 9-3/4".

Inlet Size	ARI Rating
6"Ø	400 CFM
8"Ø	700 CFM
10"Ø	1100 CFM
12"Ø	1600 CFM
14"Ø	2100 CFM
16"Ø	2800 CFM

*Size In Inches

CERTIFICATIONS AND STANDARDS

- Units tested per ANSI / ASHRAE Standard 130.
- All model sizes certified in accordance with AHRI 880 certification program.
- ETL listed to meet requirements of UL 1995 and CSA 236.
- Dual-density fiberglass insulation meets UL 181 and NFPA 90A requirements.
- Insulation meets ASHRAE 62.1 requirements for resistance to mold growth and erosion.

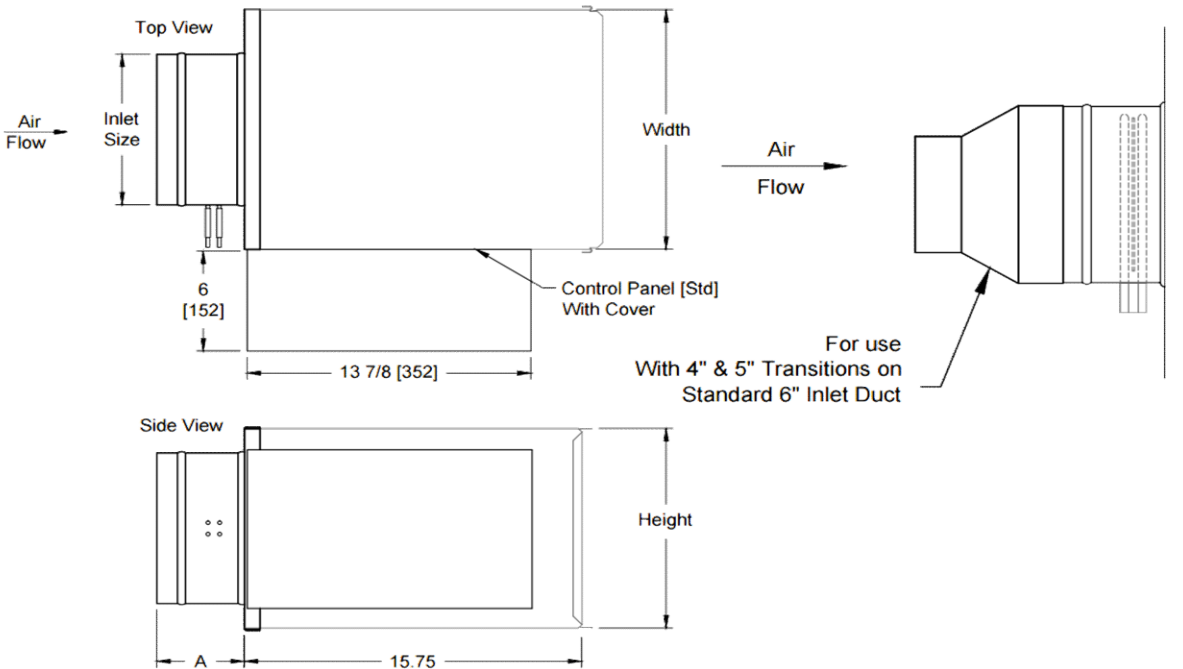


AIR DEVICES - SINGLE DUCT AIR TERMINAL UNIT

TH-500 Series - Variable Air Volume Boxes



Models: **TH500**



Model Number	Inlet Size		A		Width		Height		Unit wt.	
	in.	mm.	in.	mm.	in.	mm.	in.	mm.	lb.	kg.
TH504	3-7/8	99	10	254	12	305	8	203	12	5
TH505	4-7/8	124	10	254	12	305	8	203	12	5
TH506	5-7/8	149	5	127	12	305	8	203	12	5
TH508	7-7/8	200	5	127	12	305	10	254	15	7
TH510	9-7/8	251	5	127	14	356	12-1/8	318	18	8
TH512	11-7/8	302	5	127	16	406	15	381	22	10
TH514	13-7/8	353	5	127	20	508	17-1/2	445	24	11
TH516	15-7/8	403	5	127	24	610	18	457	29	13
TH520	19-7/8 x	505 x	6	127	30	762	20	508	47	21
	15-7/8	403								
TH524	23-7/8 x	607 x	6	127	38	965	20	508	58	26
	15-7/8	403								

AIR DEVICES - SINGLE DUCT AIR TERMINAL UNIT
TH-500 Series - Variable Air Volume Boxes

TH-500

AHRI CERTIFIED RATING POINTS

AHRI Certified Radiated Sound Power, ΔPs = 1.5 in. w.g.

Unit Size	Min Ps	CFM	Octave Band					
			2	3	4	5	6	7
504	0.04	200	52	44	38	32	26	22
505	0.04	200	52	44	38	32	26	22
506	0.08	400	58	53	49	44	41	36
508	0.01	700	62	57	52	44	39	34
510	0.02	1100	58	58	52	44	38	32
512	0.01	1600	61	56	54	45	41	40
514	0.01	2100	62	7	55	45	40	34
516	0.03	2800	64	62	56	50	47	44
520	0.06	3000	69	67	65	61	55	48
524	0.04	5300	76	71	71	65	60	54

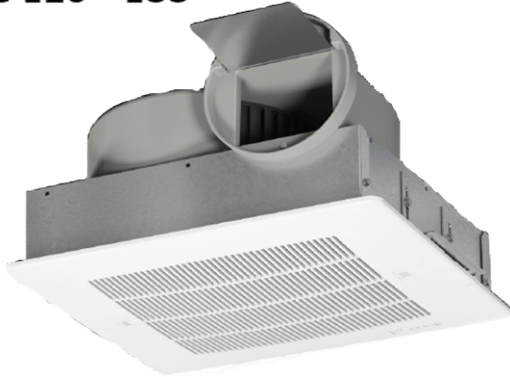
AHRI Certified Radiated Sound Power, ΔPs = 1.5 in. w.g.

Unit Size	Min Ps	CFM	Octave Band					
			2	3	4	5	6	7
504	0.04	200	65	60	55	51	46	39
505	0.04	200	65	60	55	51	46	39
506	0.08	400	67	64	60	53	49	49
508	0.01	700	75	71	62	58	55	53
510	0.02	1100	73	70	65	60	56	53
512	0.01	1600	68	67	62	60	59	57
514	0.01	2100	66	62	61	63	63	60
516	0.03	2800	74	69	66	64	64	60
520	0.06	3000	74	71	71	71	67	63
524	0.04	5300	86	85	81	77	74	71

EXHAUST FAN

Gemini - GC 100 Series / GCVF 100-180 with EC Motor / GN Series converted to Inline

GC 126 - 188

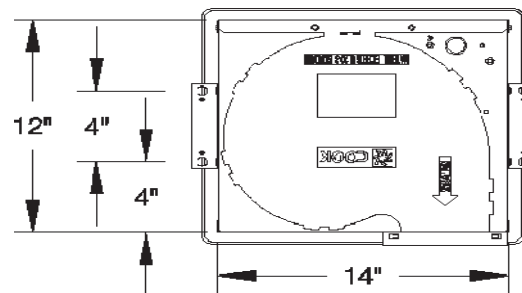
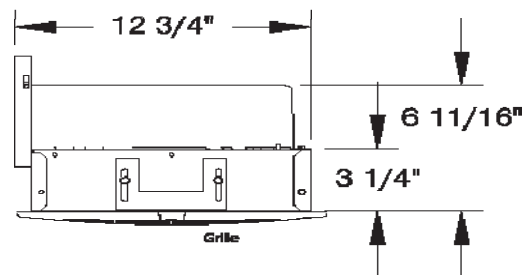
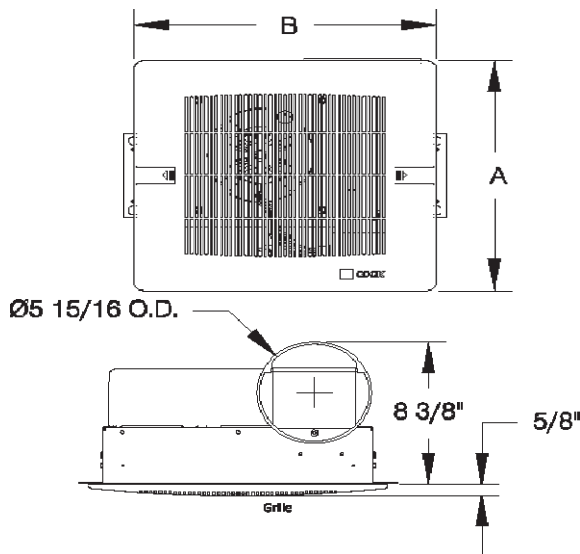


GEMINI FAN - 100 SERIES

CEILING EXHAUST FAN, DIRECT DRIVE

Models
126 - 128
146 - 148
166 - 168
186 - 188

Dimensions (inches)			Weight (pounds)	
Grille Material	A	B	Size	Shipping Weight
Plastic	13-1/4	15-1/2	126 - 128	13



QUALITY TESTED

- GC Sizes 128, 222 & 242 are **ENERGY STAR®** Certified Products.
- Tested in Cook's **AMCA** Registered Laboratory in Accordance with AMCA Standards.
- All Units are Listed by **Underwriters Laboratory (UL 705)** and UL Listed for Canada (cUL 705). GC and GN 126 - 188 are UL 507 and cUL507 listed.

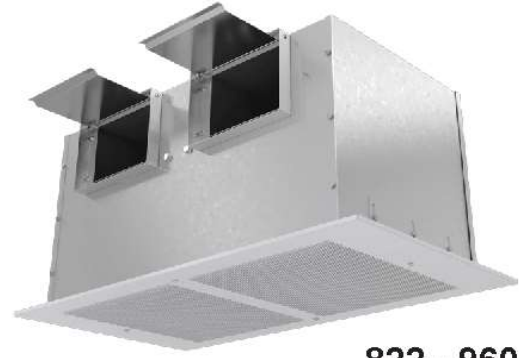
- Made in the USA in an **ISO 9001** Certified Factory
- GN Series Inline (14x3-1/4 inlet) Conversion Kit

EXHAUST FAN

Gemini - GC 200-900 Series / GCVF 300-900 with EC Motor / GN Series converted to Inline



222 - 740

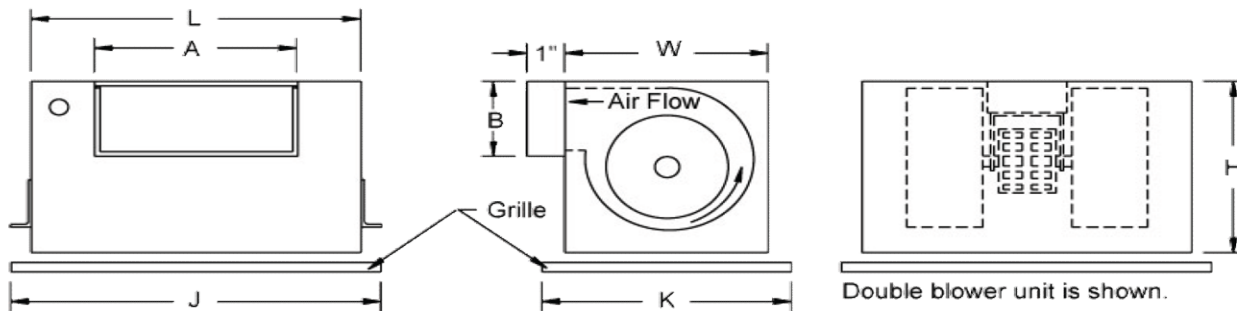


822 - 960

GEMINI FAN - 200 - 900 SERIES

CEILING EXHAUST FAN, DIRECT DRIVE

Models	
220 - 240	620 - 640
320 - 340	720 - 740
420	822 - 862
520	920 - 960



Dimensions (inches)

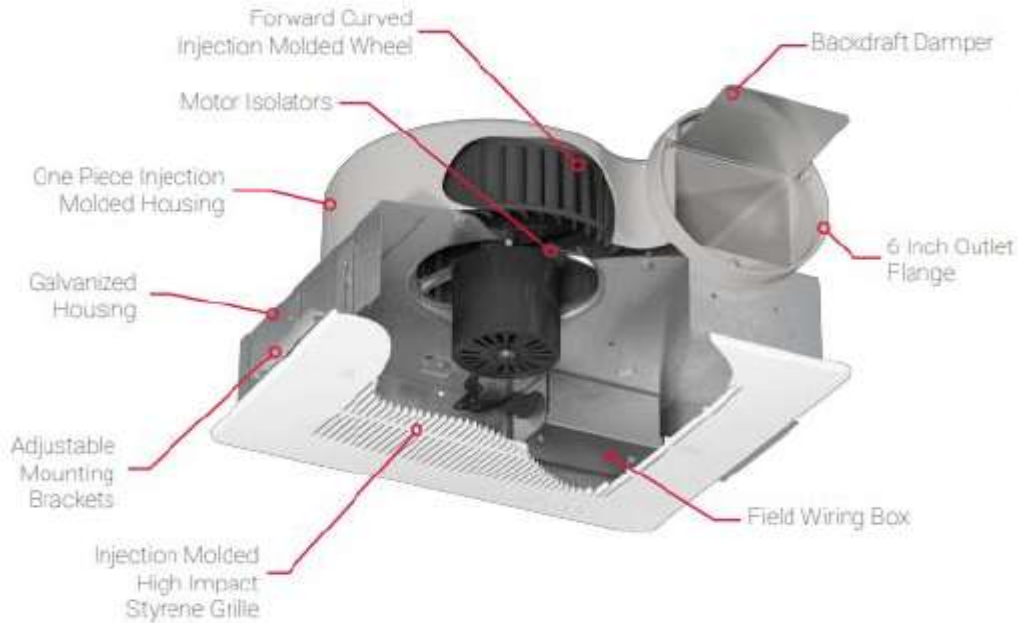
Weight (pounds)

Size	Housing		Outlet		Grille						Shipping Weight
					Plastic		Steel		Deluxe Aluminum		
	L	W & H	A	B	J	K	J	K	J	K	
222 - 242	12-3/8	9-3/4	6	4-1/2	15-1/2	13-1/4	16-3/8	13-5/8	14-1/4	11	22
322 - 342	12-3/8	10-3/4	8	6	15-1/2	13-1/4	16-3/8	13-5/8	14-1/4	12-1/4	25
422	17	11-7/8	8	6	-	-	21	14-1/4	18-3/4	13-3/4	30
522 - 542	17	11-7/8	8	6	-	-	21	14-1/4	18-3/4	13-3/4	32
622 - 642	17	11-7/8	10-1/2	4-3/4	-	-	21	14-1/4	18-3/4	13-3/4	35
720 - 740	17	11-7/8	10-1/2	4-3/4	-	-	21	14-1/4	18-3/4	13-3/4	36
822 - 862	27	14-11/16	20	6	-	-	31-3/8	17-1/8	28-3/4	16-1/4	74
920 - 960	31	14-11/16	24-1/4	6	-	-	35-1/8	17-1/8	32-3/4	16-1/4	86

EXHAUST FAN

Gemini (GC) Series - Performance Data

PERFORMANCE DATA FOR GC-126 - 188 & GCVF 100-180



Model	RPM	CFM/ Watt at 0.1 SP	0.0 SP		.100 SP		.125 SP		.250 SP		.375 SP		.500 SP		.625 SP		.750 SP		.875 SP		1.00 SP	
			CFM	Sones	CFM	Sones	CFM	Sones	CFM	Sones	CFM	Sones	CFM	Sones	CFM	Sones	CFM	Sones	CFM	Sones	CFM	Sones
GC-126	550	2.5	70	0.3	53	0.3	48	0.3	32	0.1												
★ GC-128	750	2.8	94	0.8	82	0.9	79	0.9	63	1.0	49	1.3	37	2.0								
GC-146	900	2.9	114	1.2	105	1.2	103	1.2	90	1.3	77	1.5	64	2.0	50	2.5	36	3.0				
GC-148	1075	3.1	152	2.5	144	2.5	142	2.5	132	2.5	120	2.5	108	3.0	94	3.0	78	3.5	56	3.5		
GC-166	1100	3.1	164	3.0	157	3.0	155	3.0	145	3.0	133	3.0	119	3.0	105	3.0	88	3.5	66	3.5	40	3.5
GC-168	1160	3.0	180	3.5	173	3.5	171	3.5	162	3.5	150	3.5	136	4.0	121	4.0	105	4.5	86	4.5	54	5.0
GC-186	1100	2.4	231	5.5	226	5.5	225	5.5	218	5.5	209	5.5	199	5.0	186	5.0	170	5.0	151	5.0	129	4.5
GC-188	1450	2.2	261	7.0	254	6.5	252	6.5	244	6.5	235	6.0	223	6.0	209	6.0	191	5.5	172	5.5	150	5.5

★ ENERGY STAR® certified.

★GCVF-100 (1000 RPM)

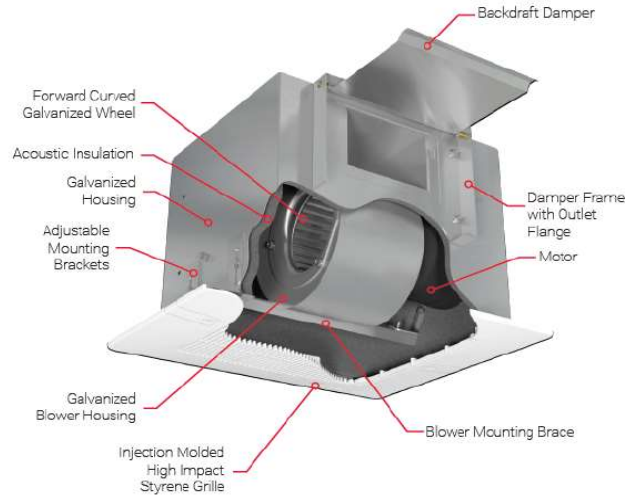
★GCVF-180 (1675 RPM)

Performance Certified is for Installation Type B: Free Inlet, Ducted Outlet. Performance ratings for GC-126 through GC-188 include the effects of inlet grille. Speed (RPM) shown is normal. Performance is based on actual speed of the test. The sound ratings shown are loudness values in spherical sones at 5 ft. (1.5m) in a spherical free field calculated per AMCA standard 301. Values shown are for Installation Type B: Free inlet spherical sone levels.

EXHAUST FAN

Gemini (GC) Series - Performance Data

PERFORMANCE DATA FOR GC-222 - 960 & GCVF-300-900



Model	RPM	CFM/ Watt at 0.1 SP	0.0 SP		.100 SP		.125 SP		.250 SP		.375 SP		.500 SP		.625 SP		.750 SP		.875 SP		1.00 SP	
			CFM	Sones	CFM	Sones	CFM	Sones	CFM	Sones	CFM	Sones	CFM	Sones	CFM	Sones	CFM	Sones	CFM	Sones	CFM	Sones
★ GC-222	1322	4.8	130	1.5	115	1.3	111	1.3	85	1.2												
★ GC-242	1483	5.2	158	2.5	142	2.0	137	2.0	112	1.5	56	1.3										
GC-322	1600	3.2	204	4.0	191	4.0	187	4.0	165	3.5	139	3.5										
GC-342	1725	3.0	268	5.0	252	5.0	248	4.5	224	4.5	195	4.5	153	4.5								
GC-422	1500	2.8	308	4.0	298	4.0	295	4.0	282	4.0	267	4.5	250	4.0	223	4.0						
GC-522	1400	2.7	213	1.5	208	2.0	207	2.0	201	2.0	194	2.5										
GC-542	1600	2.9	391	5.5	380	5.5	377	5.5	361	5.5	340	5.5	314	5.5	285	5.0	248	4.5				
GC-622	1400	3.3	501	3.5	486	3.5	482	3.5	461	3.0	433	3.0	392	3.0	339	3.0						
GC-642	1500	3.1	602	5.0	582	4.5	576	4.5	548	4.5	512	4.0	471	4.0	421	3.5	350	3.5				
GC-720	1375	2.4	709	5.5	687	5.5	682	5.5	653	5.5	619	5.0	578	5.0	535	5.0	480	4.5	385	4.5		
GC-740	1625	2.2	852	7.0	823	7.0	851	7.0	775	6.5	727	6.0	672	6.0	616	5.0	552	4.5	463	4.0	303	3.5
GC-822	910	3.4	944	3.5	929	3.5	925	3.5	904	4.0	879	4.0	830	4.0								
GC-842	974	3.3	1187	5.0	1157	5.0	1149	5.0	1106	5.0	1046	4.5	905	4.5	637	3.5						
GC-862	1098	3.4	1433	7.0	1371	7.0	1355	6.5	1266	6.5	1149	5.5	995	5.0	775	4.0						
GC-920	925	3.6	1471	6.0	1427	6.0	1415	6.0	1356	6.0	1286	6.5	1190	6.5	1003	7.0						
GC-940	1040	3.5	1653	7.5	1582	7.5	1565	7.0	1481	7.0	1400	7.0	1293	7.0	1089	7.0						
GC-960	1112	3.4	1807	8.5	1716	8.0	1694	8.0	1588	7.5	1491	7.0	1386	7.0	1197	7.0						

★ ENERGY STAR® certified. ★GCVF-340 (1800 RPM) ★GCVF-500 (1723 RPM)
★GCVF-700 (1778 RPM) ★GCVF-900 (1122 RPM)

EXHAUST FAN

Gemini (GC) Series - Accessories

FSC - FAN SPEED CONTROL

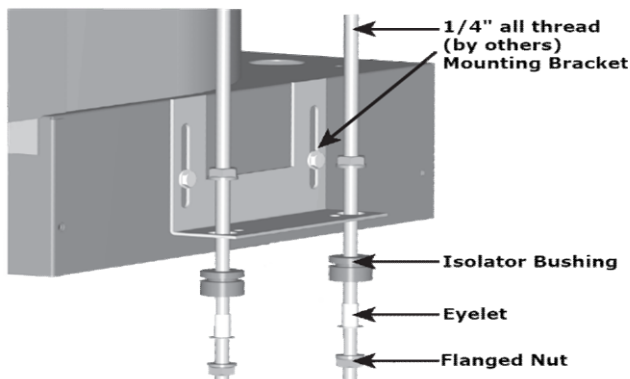
FAN SPEED CONTROL



The FSC offers excellent energy conservation and lower sound levels when 100 percent of a direct drive fan operating capacity is not required. It employs solid state circuitry for long life and dependability. It is available on 155 volt, 230 volt, and 277 volt shaded pole or permanent split capacitor direct drive motors. It is normally shipped loose for field installation. Optional pre-wiring is available.

GIK - GEMINI ISOLATOR KIT

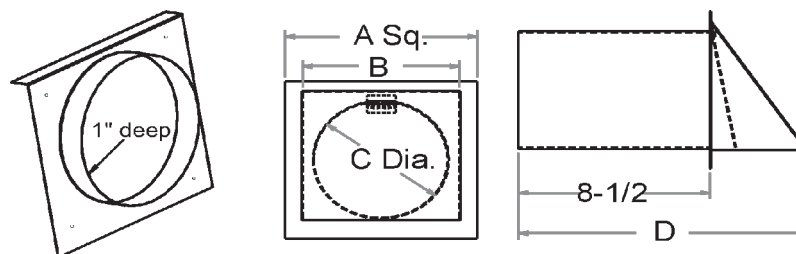
GEMINI HANGING ISOLATOR KIT



For ceiling and inline units 122 through 740. Bushings are made of resilient thermoplastic. The bushings and eyelets are sized to be used with common 1/4" x 20 all thread. Standard Gemini mounting brackets easily accommodate the isolator bushings. Flanged nuts eliminate the need for additional washers and provide for a more simplified field assembly. Rated Load 160 lbs.

WCR

ROUND DUCT WALL CAP WITH DAMPER, ALUMINUM



Gemini Series	Model	Size	A Sq.	B	C Dia.	D
100 - 300	WCR 6-Alum.	6	8	7	6	12-3/4"
200 - 500	WCR 8-Alum.	8	10	9	8	14-1/4"

BROAN - WALL & ROOF CAPS

B-885 AL Wall Cap, B-636 AL & B-644 Aluminum Roof Cap

B-885 AL - ALUMINUM WALL CAP



- Aluminum natural finish
- Built-In Backdraft Damper and Bird Screen
- Designed For Use With 3"ø or 4"ø Duct
- Includes a 4"ø to 3"ø Transition

B-636 AL - ALUMINUM ROOF CAP



- Aluminum natural finish
- Built-In Backdraft Damper and Bird Screen
- Designed For Use With 3"ø or 4"ø Duct

B-644 - ALUMINUM ROOF CAP



- 24 Aluminum natural finish
- Built-In Backdraft Damper and Bird Screen
- Fits With 3-1/4" x 10" or Up to 8"ø Duct for Flexible Instal.
- For Use With Range Hoods, LoSone Fans, and Bath Ventilation Fans

EXHAUST FANS

Dryer Booster Fan

DBF 4XLT

DRYER BOOSTER FAN



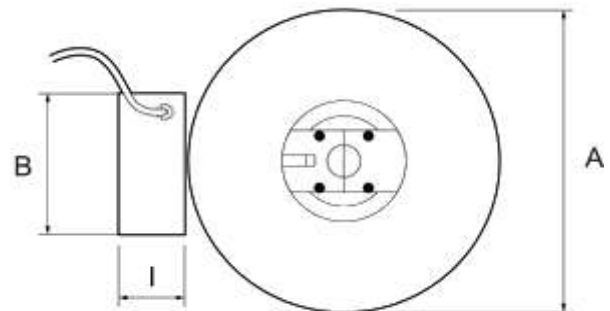
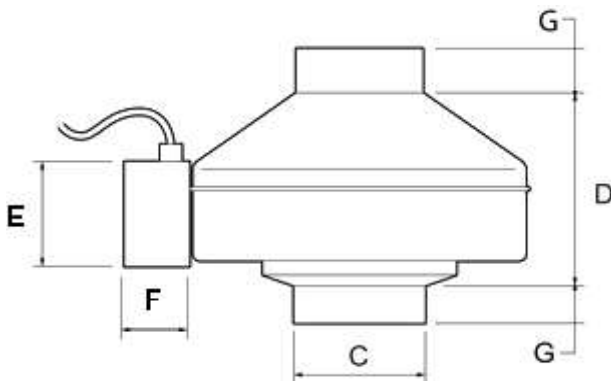
- Wall Mounted Indicator Panel
- Integrated Pressure Switch, Tubing, Grommet
- Galvanized Steel Housing with Mounting Bracket
- Backward Inclined Blades for Lint to Pass Through Fan



Nominal Data		
Voltage	120	V
Frequency	60	Hz
Phase	1	~
Input Power (P1)	71.9	W
Current	0.73	A
Max. Airflow	173	CFM
Fan Impeller Speed	2559	R.P.M
Weight	10	lbs.

Temperature Data		
Max. Temperature of Transported Air	140	°F

Protection / Classification		
Insulation Class	B	
Enclosure Class, Motor	IP44	IP



Model	A	B	C	D	E	F	G	I
DBF 4XLT	9-3/4	3-3/4	3-7/8	6-15/16	3-7/8	2	1	2

*Dimensions are in Inches

EXHAUST FANS
Centrifugal Inline Fan

FG

DUCT MOUNTED CENTRIFUGAL INLINE FAN



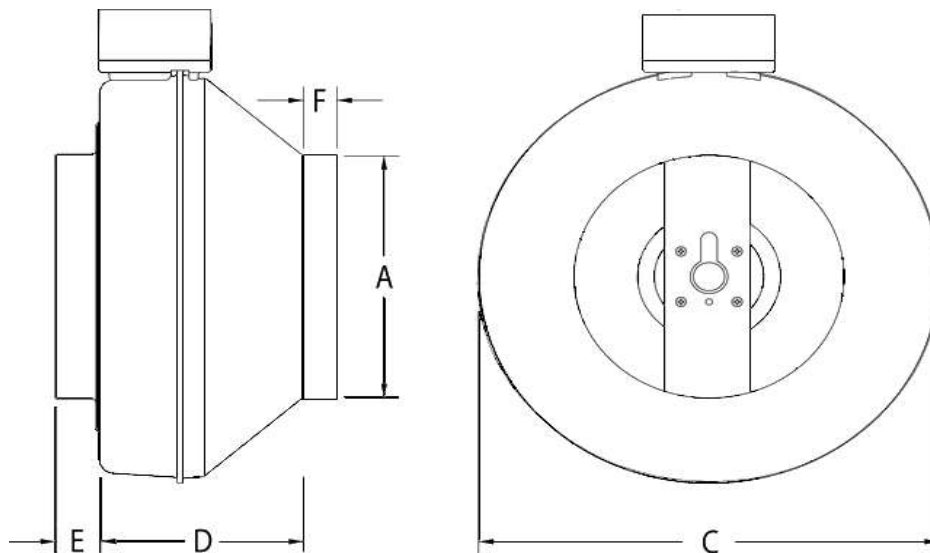
- Galv. Steel Housing with Mounting Bracket
- Speed-Controllable
- Built-In Thermal Overload Protection with Automatic Reset



Nominal Data		
Voltage	120	V
Frequency	60	Hz
Phase	1	~
Input Power (P1)	20.4	W
Current	0.18	A
Max. Airflow	139	CFM
Fan Impeller Speed	2886	R.P.M
Weight	7.01	lbs.

Temperature Data		
Max. Temperature of Transported Air	140	°F

Protection / Classification		
Insulation Class	B	
Enclosure Class, Motor	IP44	IP



Model	A	C	D	E	F
4	4	6-1/2	1	1	9-3/4
6	6	11-3/8	6-1/4	1	7/8

*Dimensions are in Inches

EXHAUST FANS
 Plastic Inline Fan

FR 100, 110

DUCT MOUNTED CENTRIFUGAL INLINE FAN



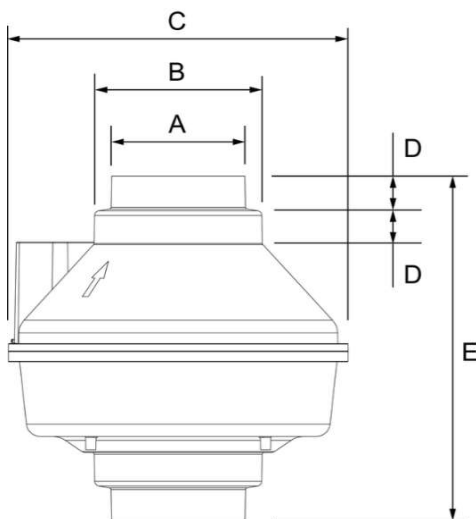
- Sealed Plastic Housing with Mounting Bracket
- Speed-Controllable
- Built-In Thermal Overload Protection with Automatic Reset



Nominal Data		
	FR 100	FR 110
Voltage (V)	115	115
Frequency (Hz)	60	60
Phase	1	1
Input Power (P1) (W)	19.5	80.0
Current (A)	0.17	0.72
Max. Airflow (CFM)	151	167
Fan Impeller Speed (R.P.M)	1833	2899
Weight (LBS.)	6	7.01

Temperature Data		
Max. Temperature of Transported Air	140	°F

Protection / Classification		
Insulation Class	B	
Enclosure Class, Motor	IP44	IP



MODEL	A	B	C	D	E
FR 100	3-31/32	4-31/32	10	1	10-9/16
FR 110	3-31/32	4-31/32	10	1	10-9/16

*Dimensions In Inches

EXHAUST FANS
 Plastic Inline Fan

FR 140

DUCT MOUNTED CENTRIFUGAL INLINE FAN



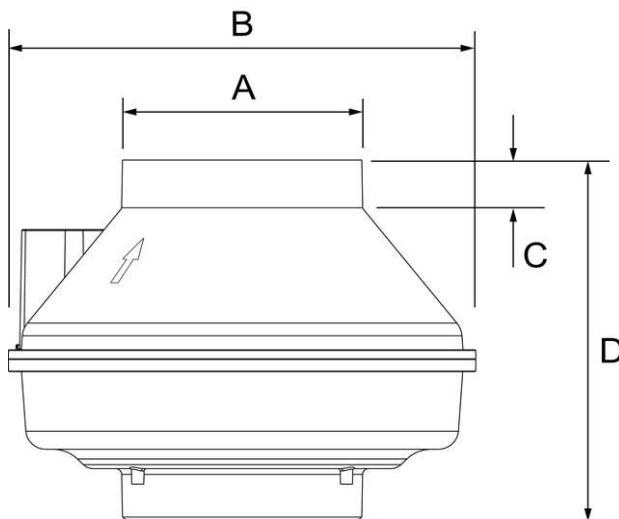
- Sealed Plastic Housing with Mounting Bracket
- Speed-Controllable
- Built-In Thermal Overload Protection with Automatic Reset



Nominal Data	
	FR 140
Voltage (V)	120
Frequency (Hz)	60
Phase	1
Input Power (P1) (W)	61.7
Current (A)	0.53
Max. Airflow (CFM)	277
Fan Impeller Speed (R.P.M)	2711
Weight (LBS.)	17.6

Temperature Data		
Max. Temperature of Transported Air	140	°F

Protection / Classification		
Insulation Class	B	
Enclosure Class, Motor	IP44	IP



MODEL	A	B	C	D
FR 140	5-7/8	11-1/2	1-1/4	9-1/4

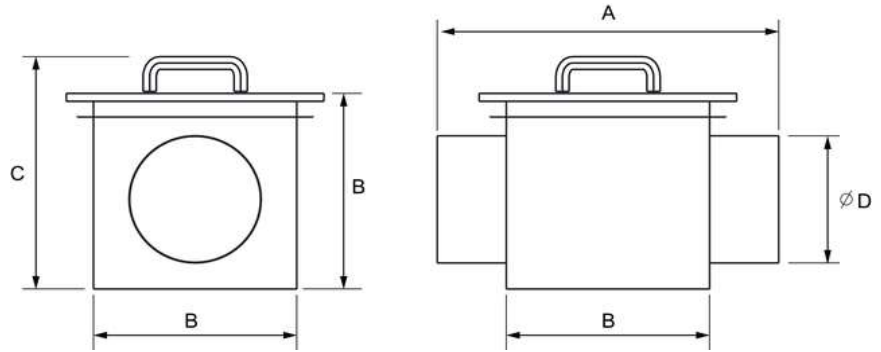
*Dimensions In Inches

EXHAUST FANS

Lint Trap & Mounting Clamps

DBLT4W

LINT TRAP FOR DRYER BOOSTER EXHAUST FAN



Model	A	B	C	D
DBLT4W	10	6	7-1/8	3-29/32

*Dimensions In Inches

FC

INLET/OUTLET MOUNTING CLAMPS

- Galvanized Sheet Steel with Neoprene Lining



Models	
FC 4	4"
FC 6	6"

*Size In Inches

EXHAUST FANS

Backdraft Damper & Speed Controller

RSK

BACKDRAFT DAMPER



- 24 GA, G90 Galvanized Steel Casing
- Spring Loaded Butterfly Blades

Model	Diameter	Length
RSK 4	4	3-1/4
RSK 6	6	3-1/8

*Size In Inches

WC 15

SPEED CONTROLLER



- Design for Mounting in a 2" x 4" Electrical Wall Box
- Maximum Rating of 5 Amps

Technical Parameters		
Voltage	115	V
Current	5	A
Weight	0.992	LBS.

INSULATED FLEXIBLE DUCT

Insulated & Uninsulated Flexible Duct

2PMJ



METALIZED JACKET, FULLY INSULATED CLASS 1 AIR DUCT

- Fully Approved - Listed and Labeled as a Class 1 Air Duct. Tested in Accordance with U.L. Standard 181. Meets All Requirements of NFPA-90-A & 90-B, UMC Standard 6.1, Appendix A and FHA/HUD
- Quiet, Full Interior Liner Assists in Absorbing Noise. Air is Delivered with Little to No Leakage.

Sizes Available in 25' Lengths	
4"	12" *
5"	14" *
6" *	16"
7"	18"
8" *	20"
9"	22"
10" *	24"

- Insulation Values in R-4.2 or R-6* (* Limited Stock Sizing)
- Max Air Velocity: 4,000 FPM for Cont. Operation
- Positive Operating Pressure: 6" W.G
- Negative Operating Pressure: 1" W.G
- Outside Sleeve Perm Rating: 0.10 Perms
- Operating Temperature: 0° F to 200° F
- Fire Safety: Class 1, with less than 25/50 Fire Hazard Classification

S-LP-10



UNINSULATED, CLASS 1 FLEXIBLE AIR CONNECTOR

- Complies with NFPA Standards 90A and 90B
- Max Air Velocity - 5,000 FPM for Continuous Operation
- Positive Operating Pressure: 10" W.G.
- Negative Operating Pressure: 1" W.G.
- Maximum Leakage: 0.015 @ 10" W.G.
- Operating Temperature: -20° F to 250° F
- Oxygen Index Ratings: Woven & Coated Glass Cloth Fabric: 35.60
- Surface Burning Characteristics: Maximum Flame Spread = 25
Maximum Smoke Developed = 50

Sizes Available in 25' Lengths

4", 5", 6", 8", 10", 12"

TYTON

PLASTIC TIE STRAP, 36"



- Ties come in 50 pcs / bag



DUCT ACCESSORIES

Duct Taper, Starting Collar & Damper Disk

SURE FIT TAPER

26 GAUGE ROUND DUCT TAPER

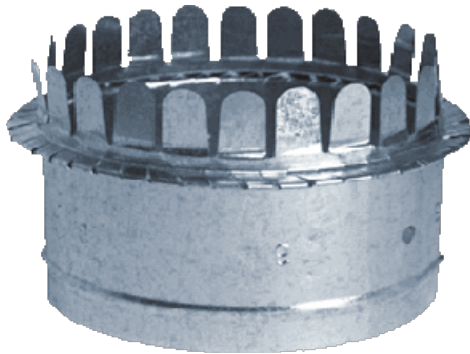


Available sizes	
6 x 4	12 x 8
6 x 5	12 x 10
8 x 6	14 x 10
9 x 8	14 x 12
10 x 6	16 x 14
10 x 8	18 x 16
10 x 9	

*Size in inches

DUCT BOARD STARTING COLLAR

UNIVERSAL COLLAR, NO DAMPER



Available sizes	
6"	14"
8"	16"
10"	18"
12"	

*Size in inches

DAMPER DISK

DISK WITH QUADRANT



Available sizes	
4"	10"
5"	12"
6"	13"
7"	16"
8"	18"
9"	

*Size in inches

DUCT ACCESSORIES

Snap Lock Pipe, 90 Degree Elbow & Round Neck Adapter

SNAP LOCK PIPE

3' OR 5' LENGTH SNAP LOCK PIPE (K.D. PIPE)



Available sizes		
4" x 5'	9" x 5'	18" x 3'
5" x 5'	10" x 5'	20" x 3'
6" x 5'	12" x 5'	
7" x 5'	14" x 5'	
8" x 5'	16" x 5'	

90 DEGREE ADJUSTABLE ELBOWS (SHORT RADIUS)

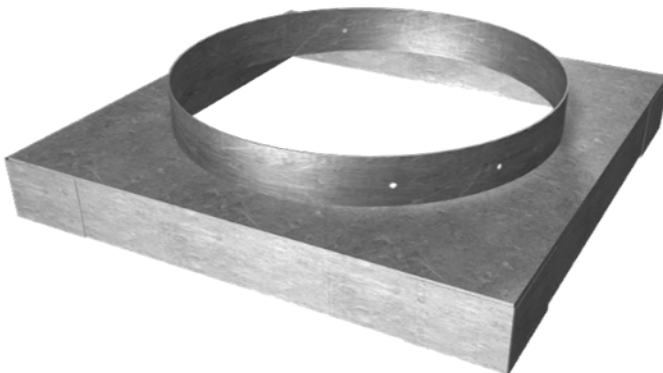
DUCT ELBOW



Available sizes	
4"Ø	10"Ø
5"Ø	12"Ø
6"Ø	14"Ø
7"Ø	16"Ø
8"Ø	18"Ø
9"Ø	20"Ø

ROUND NECK ADAPTER

SQUARE TO ROUND ADAPTER



Available sizes	
6 x 6	15 x 15
8 x 8	16 x 16
9 x 9	18 x 18
10 x 10	20 x 20
12 x 12	21 x 21
14 x 14	22 x 22

* Size in inches

DUCT ACCESSORIES

Sure Fit Taper & Bellmouth Tap w/ Damper

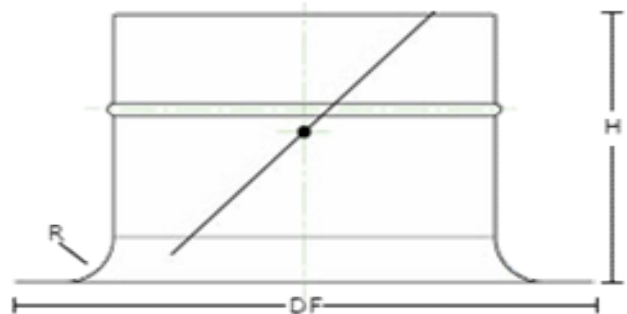
SUPER SEAL STARTING COLLAR

ADHESIVE TAKEOFF WITH DAMPER



Available sizes	
6"ø	12"ø
8"ø	14"ø
10"ø	16"ø

BELLMOUTH TAP WITH DAMPER



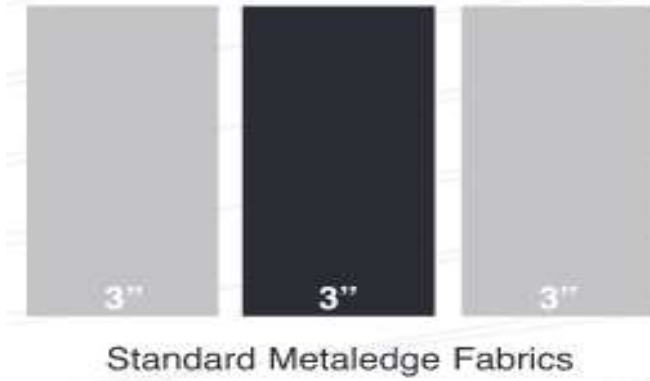
Size	Gauge	R (inch)	H (inch)	DF (inch)	Weight (lbs.)
4"ø	24	1	2-1/2	8	.5
5"ø	24	1	2-1/2	9	.6
6"ø	24	1	3	10	.7
7"ø	24	1	3	11	.8
8"ø	22	1	3	12	1.10
9"ø	22	1	3	13	1.20
10"ø	22	1	3-1/2	14	1.4
12"ø	22	1	3-1/2	16	1.75
14"ø	22	1	3-1/2	18	2.10
16"ø	22	1	3-1/2	20	2.40

SHEET METAL ACCESSORIES

VENTGLAS Flex Connection, Damper Regulator & Bearings

VENTGLAS - METALEDGE FLEX CONNECTION

24 GA GALV. STEEL

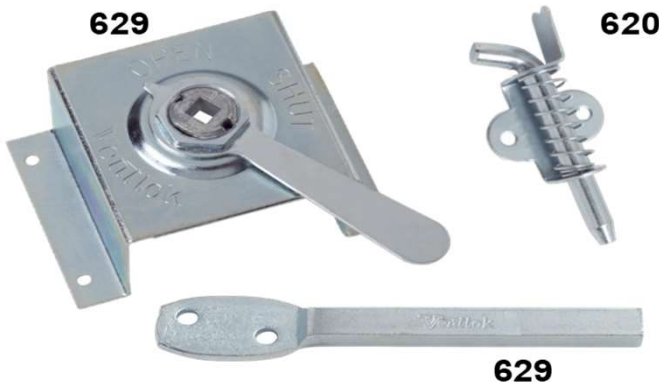


Ventlon® is accepted by the National Fire Protection Association for vibration isolation connectors in duct systems, in accordance with ANSI/NFPA 701

Model	
Ventglas 3-3-3	100' Flex
Ventglas TDC	100' Flex

ELEVATED DIAL REGULATOR SET

FOR **SMALL** SIZE DAMPER



- 629** 1/4" Elevated Dial Regulator For 2" Insulation
- 629** 1/4" Square End Bearing With 4-1/2" Long Shaft
- 620** 1/4" Spring End Bearing

ELEVATED DIAL REGULATOR SET

FOR **MEDIUM** SIZE DAMPERS



- 639** 3/8" Elevated Dial Regulator
- 639** 3/8" Square End Bearing
- 635** 3/8" Spring End Bearing

SHEET METAL ACCESSORIES

Ventlock Regulator, Quadrant & Miter Gears

677 VENTLOCK REGULATOR

3/8" CONCEALED, SELF LOCKING REGULATOR



- Accommodates 3/8" or 1/2" Square Rod
- Chrome-Plated Cover
- Secured by 2 screws which can be removed for adjustment
- 2-5/16" Diameter x 1-1/2" Deep Base

560 VENTLINE QUADRANT

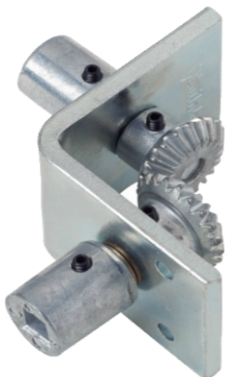
STAINLESS STEEL, 1/2" ROUND ROD QUADRANT



- Accommodates 1/2" Round Rod

680-3/8 VENTLOCK MITER GEARS

3/8" MITER GEAR



- Miter Gears Set in Zinc Plated Steel Angle, 1/4" thick
- Die Cast Gears are 1-1/4" in Diameter and Constructed with Self-lubricating Bronze Bushings to Insure Free Movement

ISOLATORS

Spring Hangers & Floor Isolators

HSA SPRING ANGULARITY HANGERS

SPRING ISOLATION HANGERS



- Spring Isolation Hangers for 1" Deflection
- Lower Hanger Rod Enables a 30° Swing to Compensate for Rod Misalignment and Prevents Short Circuits to the Hanger Box

MODELS	WEIGHT
HSA-1B	20 - 85 lbs.
HSA-1C	50-370 lbs.
HSA-1E	195-2000 lbs.

HRSA SPRING & ELASTOMERIC HANGERS

SPRING ISOLATION HANGERS



- Spring Isolation Hangers for 1" Deflection and 30° alignment
- Load Range is 15 to 400 lbs.
- Elastomeric Element Offers Isolation from Noise & Vibration

AMSR ISOLATORS

SEISMIC FLOOR SPRING ISOLATOR - GALVANIZED



MODELS	WEIGHT	DEFLECTION
AMSR-1C	50 - 520 lbs.	1" Deflection
AMSR-2D	75-1640 lbs.	2" Deflection
AMSR-1E	195-3250 lbs.	1" Deflection

- Steel-Housed Seismic Spring Isolators Sized for 1" or 2" Deflection

DUCT ACCESS DOORS/PANELS
 Fiberglass Insulated Access Doors

ADH

HINGED DUCT ACCESS DOOR



- 24 GA Galv. Steel Door, 24 GA Galv. Steel Frame
- 1" Fiberglass Insulation

Model ADH	Size
606	6 x 6
808	8 x 8
1010	10 x 10
1212	12 x 12
1414	14 x 14
1616	16 x 16
1818	18 x 18
2020	20 x 20
2424	24 x 24

*Size In Inches

ADC

CAM-LOCK DUCT ACCESS DOOR



- 24 GA Galv. Steel Door, 24 GA Galv. Steel Frame
- 1" Fiberglass Insulation

Model ADC	Size
606	6 x 6
808	8 x 8
1010	10 x 10
1212	12 x 12
1414	14 x 14
1616	16 x 16
1818	18 x 18
2020	20 x 20
2424	24 x 24

*Size In Inches

DUCT ACCESS DOORS/PANELS

Non Rated & Fire Rated Access Panels

NTC/NWC

WHITE PRIMED, 16 GA STEEL ACCESS DOOR



- Screwdriver Cam Latch
- Anti-flex Frame w/ Easy Install Tabs
- Removable & Repositionable Door
- Available with Two Mounting Flanges: NTC & NWC

NTC

1" Exposed Flange Frame



NWC

Drywall Bead/Mud-In Frame



Stock Sizes										
	06x06	08x08	10x10	12x12	14x14	16x16	18x18	20x20	24x24	30x30
NWC	X	X	X	X	X	X	X	X	X	X
NTC		X	X	X	X	X	X		X	

ITK

SELF CLOSING, COLD ROLLED STEEL FIRE-RATED ACCESS DOOR



- 1-1/2 Hour (Wall Mounted) or 3 Hour Fire-Rated (Ceiling Mounted)
- 1" Exposed Flange for Flush Installation in any Vertical or Horizontal Surface
- Knurled Knob/Key Operated Latch Bolt

Neck Size
12 x 12
16 x 16
18 x 18
24 x 24

*Size In Inches

LG - AIR CONDITIONING EQUIPMENT
 Duct Free Split Systems

Single-Zone Systems



Art Cool™ Premier



Art Cool™ Gallery



Art Cool™ Mirror



Standard Wall Mounted



Wall Mounted Extended Piping



Mega



Ceiling Cassette



High Static Ducted



Low Static Ducted



Vertical AHU

SYSTEM	MODEL	kBTU/H		SEER	EER	MAX PIPE LENGTH	MAX ELEV.
		Cool	Heat				
ArtCool Premier	LA-090HYV3	9	11	27.5	15.7	65.6'	39'
	LA-120HYV3	11	12	25.5	13.7	65.6'	
	LA-150HYV3	15	18	25	13.5	164'	98'
	LA-180HYV3	18	21	24	14.4	164'	
	LA-240HYV3	22	26	22.5	13	164'	
ArtCool Mirror	LA-090HSV5	9	10.9	23.5	14.5	82'	49.'
	LA-120HSV5	12	13.6	22.7	12.5	82'	
	LA-180HSV5	18	21.6	21.5	12.6	114'	
High Efficiency	LS-090HSV5	9	10.9	23.5	14.5	82'	49.'
	LS-120HSV5	12	13.6	22.7	12.5	82'	
	LS-180HSV5	18	21.6	21.5	12.6	114'	
Extended Piping	LS-243HLV3	22	24	21.5	13	164'	98.4'
	LS-303HLV3	30	32	20	11.3	164'	
	LS-363HLV3	33	35.2	18.8	10	164'	
MEGA	LS-090HEV2	9	10	20	12.5	49'	22.9'
	LS-120HEV2	12	12	19	10.5	49'	
	LS-180HEV2	18	19	19	12	65'	32'
	LS-240HEV2	22	22	19	11	65'	
MEGA (115v.)	LS-090HXV2	9	10.9	20	12.3	49'	23'
	LS-120HXV2	12	13	19	10.5	49'	
Ceiling Cassette	LC-098HV4	9	11	20.2	13.7	66'	49'
	LC-128HV4	11.1	14	19.4	12.6	66'	
	LC-188HV4	18	18.5	20.5	12.5	164'	98'
	LC-248HV	24	27	20	12.6	164'	
	LC-368HV	36	40	19	12.5	246'	98'
	LC-428HV	42	47	17.8	10.3	246'	
Hi-Static Ducted	LH-248HV	24	27	19	12	164'	98'
	LH-368HV	36	40	19	12.1	246'	
Low-Static Ducted	LD-097HV4	9	14	18.5	12.7	66'	49'
	LD-127HV4	11.6	16	19.6	12.9	66'	
Vertical AHU	LVN-181HV4	18	20	19.2	13.3	164'	98'
	LVN-241HV4	24	27	19.5	12	164'	
	LVN-361HV4	36	40	18	11	246'	
	LVN-420HV	42	47	17	11	246'	

LG - AIR CONDITIONING EQUIPMENT
Duct Free Split Systems

Multi-Zone Systems - Indoor Units

SYSTEM	MODEL	kBTU/H		SYSTEM	MODEL	kBTU/H	
		Cool	Heat			Cool	Heat
High Efficiency	LMN079HVT	7	8.1	Low Static Ducted	LDN097HV4	9	10.4
	LSN090HSV5	9	10.9		LDN127HV4	12	13.8
	LSN120HSV5	12	13.6		LDN187HV4	18	20.8
	LMN159HVT	14.3	15.6	Hi-Static Ducted	LHN248HV	24	27
	LSN180HSV5	18	21.6		LHN368HV	36	40
	LMN249HVT	24	25.6	Vertical AHU	LVN181HV4	18	20
ArtCool Gallery	LMAN097HVP	9	10.4		LVN241HV4	24	27
	LMAN127HVP	11.2	13.3		LVN361HV4	36	40
ArtCool Mirror	LAN090HSV5	9	10.9	Ceiling Cassette	LMCN078HV	7	8.1
	LAN120HSV5	12	13.6		LCN098HV4	9	10.4
	LAN180HSV5	18	21.6		LCN128HV4	12	13.8
					LMCN188HV	18	20.8

Multi-Zone Systems - Outdoor Units

MODEL	INDOOR UNIT COMBO	kBTU/H		SEER	EER	INDOOR UNITS		MAX PIPE LENGTH
		Cool	Heat			MIN	MAX	
LMU18CHV	Non-Ducted	17	22	22	13	2	2	164' (TOTAL)
LMU24CHV	Non-Ducted	20	24	21.7	13.5	2	3	246' (TOTAL)
LMU30CHV	Non-Ducted	30	32	22	13	2	4	246' (TOTAL)
LMU36CHV	Non-Ducted	32	36	22	13	2	4	246' (TOTAL)
LMU480HV	Non-Ducted	48	54	19.5	12.5	2	8	475' (TOTAL)
LMU540HV	Non-Ducted	52.5	58	18.4	10.3	2	8	475' (TOTAL)
LMU600HV	Non-Ducted	60	64	20.5	11.4	2	8	475' (TOTAL)



LG - AIR CONDITIONING EQUIPMENT
 Packaged Terminal Air Conditioners



MODEL	COOLING	EER	POWER SUPPLY
	(Btu/h)		VOLT / Hz / PH
LP073CDUC	7,100/7,300	13.3	208-230 / 60 / 1
LP093CDUC	9,300/9,500	12.7	208-230 / 60 / 1
LP123CDUC	12,000/12,200	11.9	208-230 / 60 / 1
LP153CDUC	14,900/15,100	11.2	208-230 / 60 / 1

FEATURES:

- Energy Saver Mode
- Dimensions W x H x D: 42" x 16" x 21"
- Digital Control Display
- Auto Restart
- Freeze Room Protection
- Front Desk Control
- GoldFin™ Anti-Corrosion Protection Treatment for Condenser Coil
- High Energy Efficiency
- Temperature Display on Unit
- Ultra-Quiet Operation
- Dip Switch Setting for Temperature Limiting
- LG Brand Compressors
- Separate Indoor/Outdoor BLDC Motors
- 4.26 ft. Power Cord with 15 Amp Plug
- Ceramic Electric Heaters
- Compatible with Most Energy Management Systems
- Remote Wired or Wireless Control

LG - AIR CONDITIONING EQUIPMENT

LG Air Conditioning Systems - Parts & Accessories

Packaged Terminal Air Conditioners - Parts & Accessories



42" Wall Sleeve
AYSVB01A



42" Stamped Aluminum Grille
AYRGALA01



Leveling Legs (set of 2)
AYLL101A



Architecture Grille - Dark Bronze
AYAGALB01A



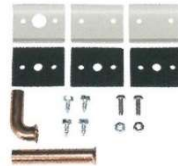
Architecture Grille - Soft Dove (soft beige)
AYAGALC01A



Architecture Grille - Aluminum
AYAGALA01A



Hardwire Kit
AYHW101



Condensate Drain Kit
AYDR101A



Digital Wired Wall Thermostat
PYRCUCA0B
For technical support & quality issue,
please call 888-776-1427



Digital Wireless Wall Thermostat
PYRCUCC1HB
For technical support & quality issue,
please call 888-776-1427



Replacement Filters 10-Pack
AYFT110



Lateral Duct Kit
AYLD1A



Sub Base (230/ 208V 20A)
AYSB1101A

Sub Base (230/ 208V 30A)
AYSB2101A

Sub Base (265V 20A)
AYSB3101A

Wired Wall Thermostat Connection Kit
AYWH110

Remote Escutcheon Kit 10-Pack
AYRE110

Duct Free Splits - Parts & Accessories



PREMTBVC1
PREMTBVC0



PREMTC00U



PMNFP14A0



PQDSB1

- Programmable, Simple & BACnet Thermostats

- V-NET control Integration / Dry Contacts



- Smart AC w/LAN Module & Smartphone APP
- SIMs 2.0 Wi-Fi Module for Inverter Monitoring