



STANDARD WATER SERVICE SPECIFICATIONS

The following specifications are intended to guide anyone who is constructing, replacing or repairing any water service lines outside of a structure, which is, or intended to be, connected to the water system of Claywood Park PSD.

This information indicates acceptable practice. It is not possible for these rules to cover every possible situation of question. If you have questions regarding water service installations, please contact the Claywood Park Public Service District at 422-6042, 8:00 am to 4:30 pm Monday – Friday.

INSPECTION:

The PSD personnel, whether on public or private property, must inspect all customer service line construction, replacement or repair, before any backfilling of excavation is performed. These inspections can be performed Monday through Friday between the hours of 8:30 am to 4:00 pm. To schedule an inspection notify the District office at 422-6042. Inspections will not be performed on weekends or legal holidays.

Customer service line construction, replacement or repair, which has not been inspected, will need to be uncovered before inspection can be performed. An inspection will be performed on the same day the call is received or on the next District working day.

When a private water supply exists (well, cistern etc.) at the customer's residence or place of business, an air separation between the two systems must exist and have no connection between the two supplies. Valves or check valves will not be acceptable.

LOCATION OF METER:

After applying for service and all fees are paid, once the meter location is established, the customer or contractor working for the customer must install the service line to that point marked by the District. **It is necessary a minimum of 3 feet of service line be left sticking out of ground along with a ¾" brass IPS pack-joint coupling in order for the district to connect to the meter pigtail.** Once the service line is in place contact the PSD's office and the District will schedule the tap and meter setting installation.

The District is not required to make changes in the meter setting elevation once the tap is installed, the customer must have area where meter setting is to be located at final grade before tap is made. **The customer shall bear the full and total cost for any such changes.**

SERVICE LINE INSTALLATION:

- a. The use of any ***plastic fittings*** for pipe connections before your shut off valve is **PROHIBITED**, (only Brass or Bronze compression style). Water service will not be established if these types of fittings are used.
- b. Approved pipe materials consist of Iron pipe size (IPS) polyethylene (P.E.) tubing @ a pressure rating of at least 160 PSI, however, 200 PSI is recommended by the District. The pipe diameter shall be 3/4" or 1" depending upon the size of your proposed service. If this line is longer than 500 feet, consult the District on proper line size to maintain adequate flow.
- c. Backfill material shall consist of fine suitable material. All material shall be free of cinders, ashes, refuse, or organic material. The service line shall have a minimum of 24 inches of cover in the yard area, and 30 inches in roadways or driveways.
- d. The District **REQUIRES** a shut off valve (brass or bronze) to be located immediately inside the foundation wall, crawl space or basement, at or near the point of entrance of your service line or other readily accessible location. The purpose of this valve is for you to be able to shut off your water if the need arises. Only District personnel are to be in the meter-setting fixture, the customer should **NEVER** tamper with the meter setting.
- e. At the point where the service line enters through the block or foundation wall, a sleeve is required to protect the pipe.
- f. A pressure gauge is strongly recommended by the District, but not a requirement.
- g. A thermal expansion tank is recommended, this device is to prevent damage to your hot water tank or your residence, resulting from Thermal expansion.
- h. Cross connections are prohibited. No connection between any other water sources, (well, cistern spring, etc...) is allowed.
- i. The water service lines must be installed in a trench with at least two feet of separation from other pipes or wires such as, sewer, telephone, electric, cable etc...

BACKFLOW PREVENTION:

Claywood Park PSD installs a type of outside meter setting which is equipped with a check valve. The purpose of a check valve is to prevent the water that has gone through your water meter setting from returning to the PSD's water system due to thermal expansion.

The installation of a thermal expansion pressure device is strongly recommended for the purpose of relieving pressure on your water heater tank and house plumbing.

THERMAL EXPANSION:

As water is heated, it expands; your water tank will push hot water out of the inlet when heating during times of minimal hot water use. Due to a check valve used at the meter setting, water cannot flow back through the meter into the main water line. The expansion of water can result in the damage of plumbing and fixtures or release of water through the water heaters relief valve and possibly continued dripping of water from the relief valve. Water leaking from this valve may damage your residence.

It is required to choose one of the following options to protect your plumbing from thermal expansion.

OPTION 1. Install a thermal expansion tank (can be purchased at any local hardware store or home improvement center).

OPTION 2. Sign a release. If *Option 1* it is not desirable this release will relieve the District of any liability for damages caused to customers plumbing or fixtures because of thermal expansion.

PRESSURE REGULATORS:

If water supply pressure exceeds 120 psi at the water meter setting the District will install, maintain and service a pressure regulator. If water supply pressure is less than 120 psi it is the responsibility of the customer to install, maintain and service or replace a pressure regulator (if desired) in owners plumbing.

High water pressure can be dangerous and can cause water heaters and other appliances to malfunction.

GENERAL INFORMATION:

- a. Tapping of main water lines is only to be performed by Claywood Park Public Service District personnel or a contractor working for the District.
- b. All service line construction, replacement or repairs must be inspected.
- c. Only Claywood Park PSD personnel are to enter the meter pit. (Tampering with the District's property could result in legal action.)

The use of any **plastic fittings** for pipe connections on your service line, before the shut off valve, is **PROHIBITED**. (Only Brass or Bronze) Water service will not be established if these types of fittings are used.

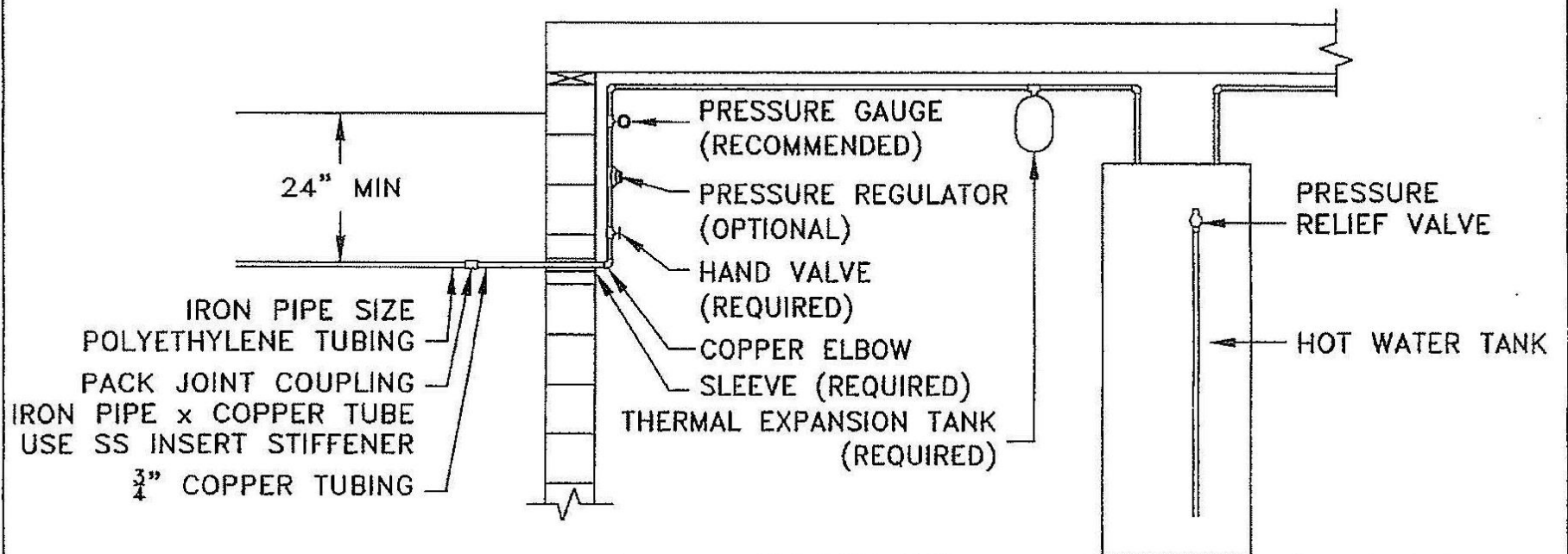
PLEASE READ AND UNDERSTAND ALL OF THE ABOVE SPECIFICATIONS.

*IF YOU HAVE ANY QUESTIONS PLEASE CONTACT THE PSD OFFICE AT 304-422-6042
MONDAY THRU FRIDAY 8:00 a.m. to 4:30 p.m.*

Contact Miss Utility of WV at 811 to locate other underground utilities in your area.



Know what's below.
Call before you dig.



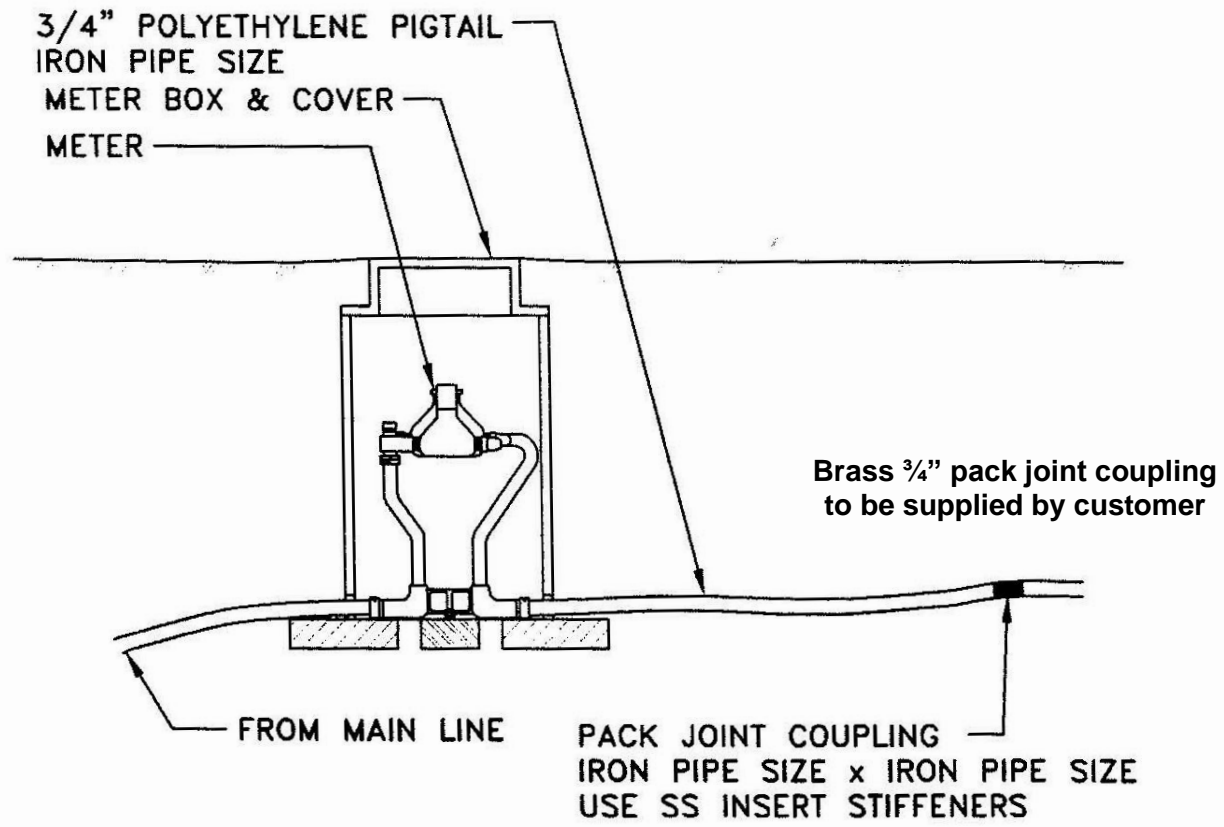
CLAYWOOD PARK P.S.D.

SCALE: NO SCALE	APPROVED BY:	DRAWN BY: MJG
DATE: AUG 2003		REVISED:

TYPICAL DRAWING FOR WATER SERVICE LINE INSTALLATION

DRAWING NUMBER

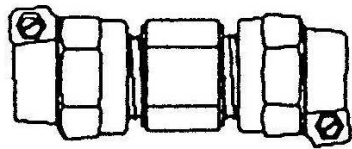
F:\project Data\Claywood Park - CL20\19W Misc Water Extensions\Drawings\MISC\SERVICE INSTALLATION DETAIL.dwg, 06/12/2003 11:43:53 AM, Acrobat Distiller



SERVICE SETTING AFTER HOOK UP

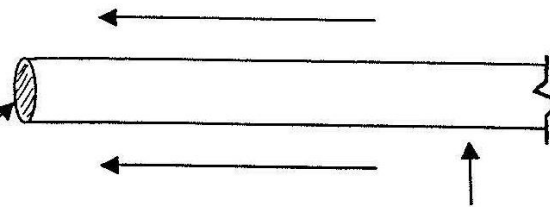
CLAYWOOD PARK P.S.D.		
SCALE: NO SCALE	APPROVED BY:	DRAWN BY: MJG
DATE: AUG 2003		REVISED:
TYPICAL DRAWING FOR WATER SERVICE LINE INSTALLATION		
		DRAWING NUMBER

PACK JOINT COUPLING



Brass 3/4" pack joint coupling
to be supplied by customer

INSERT PIPE IN TO COUPLING



3/4" POLYETHYLENE TUBING

INSERT STAINLESS STEEL STIFFENER
IN TO PIPE

CLAYWOOD PARK P.S.D.

SCALE: *NOSCALE*

APPROVED BY:

DRAWN BY *TG*

DATE: *AUG 03*

REVISED

TYPICAL DRAWING FOR PACK JOINT COUPLING INSTALLATION

DRAWING NUMBER

Claywood Park Public Service District

Thermal Expansion Protection Release Form

The District installs a type of outside meter setting which is equipped with a check valve. The purpose of a check valve is to prevent the water that has gone through your water meter setting from returning to our water system due to thermal expansion.

Thermal Expansion: As water is heated, it expands; water heaters will push hot water out of the inlet when heating during times of minimal hot water use. Due to a check valve used at the meter setting, water cannot flow back through the meter into the water line to relieve excess pressure.

The expansion of water can result in the damage of plumbing and fixtures or release of water through the water heater's pressure relief valve. The solution to this problem is to install a thermal expansion pressure device.

The District strongly recommends that you install a thermal expansion pressure device in order to relieve excess pressure in your plumbing. These can be purchased at any local hardware store or home improvement center.

I _____ acknowledge I have been
(Please Print)
informed of the potential damages that may be caused by thermal expansion to my
plumbing system at _____,
(Location / Address)

and that the District recommends that I install a thermal expansion pressure device to prevent such damage. At this time, I have decided not to install a thermal expansion relief device in my plumbing system. I understand that Claywood Park Public Service District shall not be liable in the event there is damage to my property as a result of thermal expansion.

(Property Owner)

(Date)

(District Representative)

(Date)