

Specification

A small sized fibre optic light source perfect for starfield ceiling application.

Enclosed in an IP20 structure, this unit remains silent and cool thanks to its internal fan system.

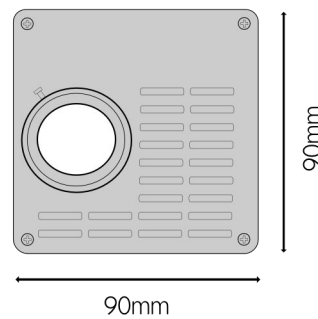
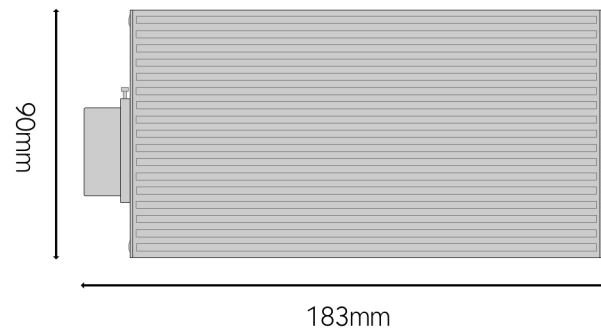
This unit comes in an array of monochromatic whites and it can also be customised with a twinkle wheel for decorative purposes. Coupled with DMX512 control system it can be linked to a variety of controllers for more intricate displays.

The FP1500 is ideally used for star ceilings and varying indoor applications.

Technical Information

IP Rating	IP65
Input Voltage	100V - 240V AC
Power Consumption	20W
Control	DMX512 / 0-10V
Min. Ambient Temp	-10°C
Max. Ambient Temp	40°C
Weight	1.1kgs
Material/Finish	Alluminum
Dimensions	L183 x W90 x H90

Technical Data Sheet Light Sources FP-1500



Optical Performance

Device Colour	Port Lumens*	Minimum CRI
2700K White	1600lm	80
3000K White	1650lm	80
4000K White	1800lm	80
5500K White	1700lm	80

*Typical Value at 25 °C ambient



Ordering Codes

Model	Device Colour	Fibre Port Size	Twinkle Wheel
FP-1500	2700K	30mm	Twinkle Wheel
	3000K		No Twinkle Wheel
	4000K		
	5500K		