

Specification

A very compact and quiet fibre optic light source, perfect for decorative twinkling effects.

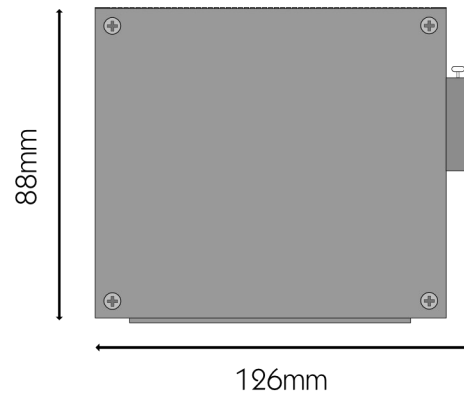
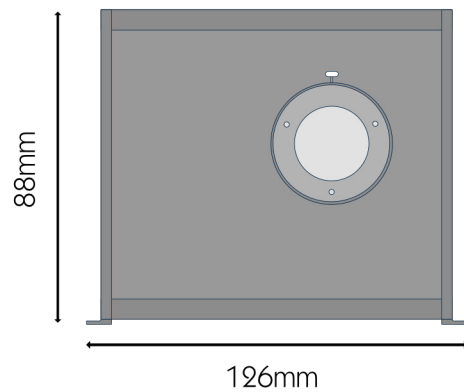
This unit comes in an array of monochromatic whites. Importantly it features a Twinkle Wheel for decorative applications. Using a CREE LED chip, this light source delivers a high output to scale.

The FP50 is ideally used for smaller scale, starry-sky ceiling application.

Technical Information

IP Rating	IP20
Input Voltage	12V DC
Power Consumption	5W
Control	RFID Controller
Min. Ambient Temp	-10°C
Max. Ambient Temp	40°C
Weight	0.8kgs
Material/Finish	Alluminum
Dimensions	L126 x W126 x H88

Technical Data Sheet Light Sources FP-50



Optical Performance

Device Colour	Port Lumens*	Minimum CRI
2700K White	700lm	80
3000K White	770lm	80
4000K White	770lm	80

*Typical Value at 25°C ambient



Ordering Codes

Model	Device Colour	Fibre Port Size	Twinkle Wheel
FP-50	2700K	14mm	Twinkle Wheel
	3000K		No Twinkle Wheel
	4000K		