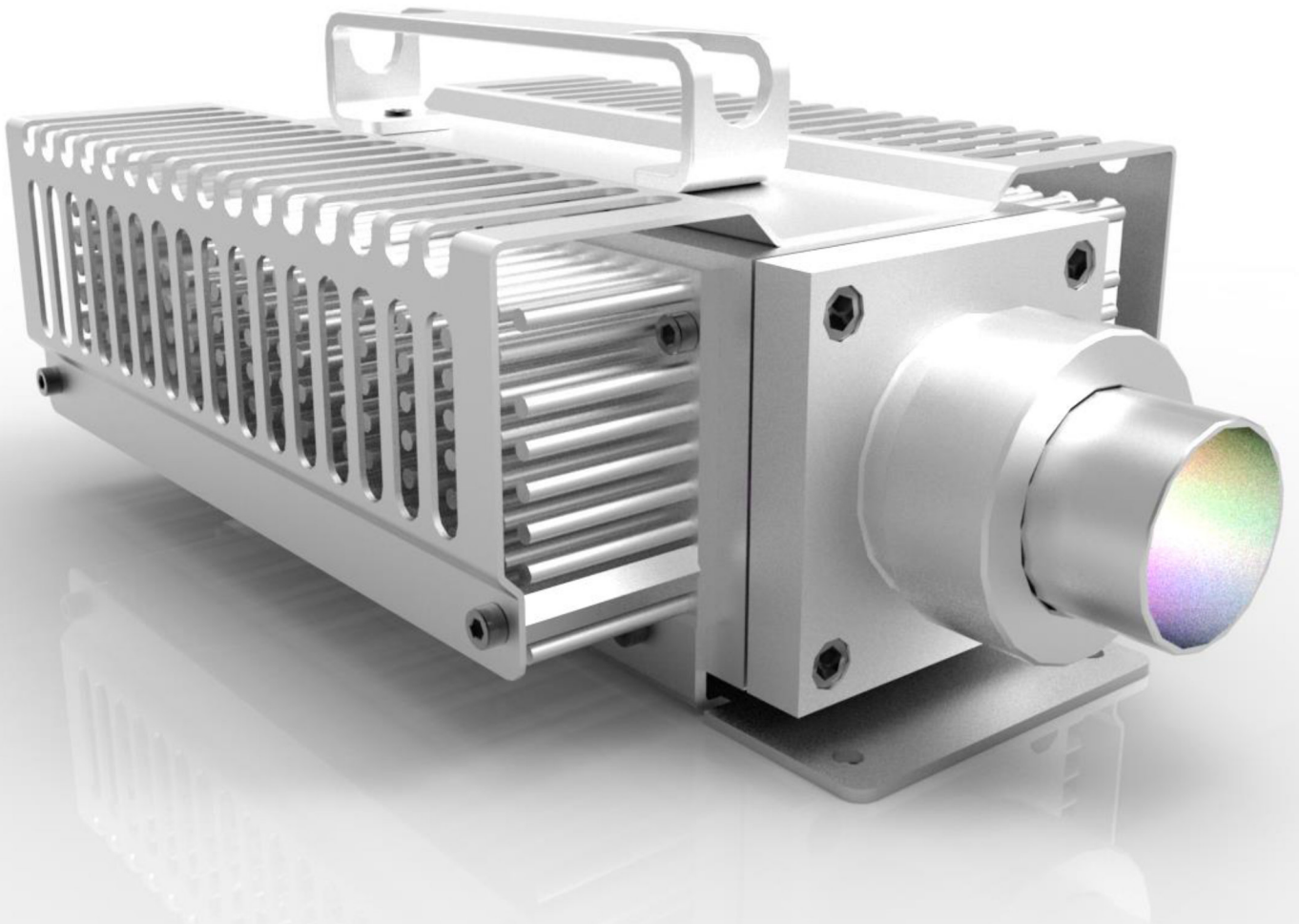


# CEZOS

## LFM 602 Hydro

LW362525H602RGBW



## INTRODUCTION

LFM 602 Hydro is an advanced generator for fiber optic. Using newest technology we provide the best solution for lighting control. Industrial connectors provide quick installation of the entire lighting system.

<b>Description</b>	LFM 602 Hydro
<b>Article Number</b>	LW362525H602RGBW
<b>Dimension</b>	230,5x135x90,75 mm
<b>Power Supply Type</b>	Constant Current (CC)
<b>Number of Channels</b>	4
<b>Power</b>	25 W
<b>Nominal Current</b>	380 mA each 706 lm Green 160 lm Blue 740 lm White @ 4000 K
<b>Protection</b>	IP 67
<b>Diameter of Fiber Port</b>	30 mm
<b>Max Ambient Temperature</b>	40°C

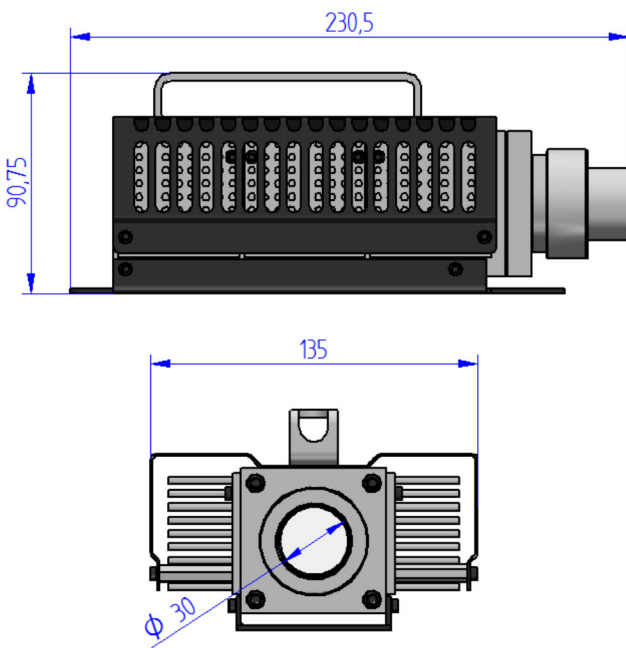
## FEATURES

Advantage of LFM 602 Hydro is generator of RGBW light. Generator is specially designed to power fiber optic.

- Industrial connectors for quick and simple wiring
- Simple installation
- Low power consumption
- High life expectancy
- Directed light beam, special designed for fiber optics
- Double thermal protection
- Number of fiber optic 1000 x 0.75 mm<sup>2</sup>
- Solid housing
- No colour filters inside
- Shockproof
- Waterproof
- Dustproof

## APPLICATIONS

- Accent and Effect Lighting
- Professional lighting
- Shop lighting
- Pool lighting
- Sauna lighting
- Advanced illuminations
- Night sky



**LFM**

LFM 602 Hydro is specialized waterproof and dustproof LED light generator to power fiber optic with IP 67. These generators are high power up to 25 W. Fiber optic port allow to connect 1000 fibers with a diameter of 0,75 mm<sup>2</sup>. LFM hasn't built-in colour filter.

**SAFETY**

Generators may changes light intensity, but even dimmed LEDs generate high intensity light. Looking into LEDs beam is unhealthy and may cause irreversible injury to eye's retina. Never look into the beam without protection glasses with appropriate filter. Additionally they may change LEDs light intensity almost immediately. If people are photosensitive, LEDs light may be a trigger to epileptic seizures and alter the perception, especially when light change very fast.

Generator can work on high power supply current, so never touch components and wires of controller when power supply is on.

**PROTECTION MEASURES AGAINST DAMAGE**

Generator are delicate, even small mechanical stress may damage generator. Such stresses should be avoided. If it is impossible, it should be kept to minimum. Mechanical stresses such as pressure, bending, breaking, drilling, etc. may cause irreversible damage. Damaged generator aren't suitable for use.

Do not open housing and touch electronic components.

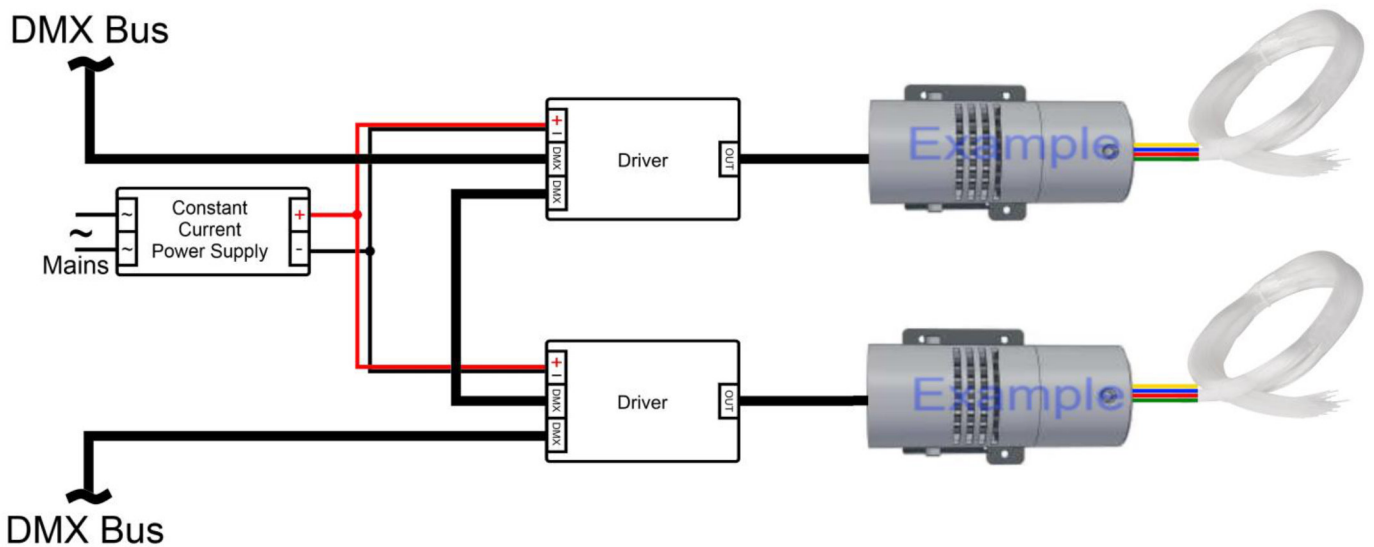
Additionally generators can be damaged by some chemical substances. Depends of elements the damage may be different. It is important not to use chemical substances like acids, organic acids, sulphur, alkalis, organic solvents, mineral oils, vegetable oils and synthetic oils, etc. We are not responsible for any loss, or damage resulting from improper use of generator! Guarantee become void in such cases.

Do not operate generators, when they aren't working properly. If generators are working incorrectly, turn off power supply. Damaged generator may cause electric shock or short circuit.

## CONNECTIONS

The generator and driver must be operated by suitable power supply. When connecting a few drivers and generators use of appropriate power supply is important. Power supply should have sufficient max. power to maintain all drivers and generators. Power supply must be connected properly. Wrong polarization can destroy drivers and generators in very short time. Thanks to LFM 602 Hydro it is possible to change intensity of light that power fiber optics. We are not responsible for any loss, or damage resulting from improper use of driver and generator! Guarantee become void in such cases.

## WIRING DIAGRAM FOR LFM 602 HYDRO



LFM can be connected only with serial wiring. LFM may be connected to driver. Above connection is examples and may be different from the actual.

## COOLING

Generator produces heat. They must be provided with good air ventilation. Generator without air ventilation can overheat. Overheat can damage or destroy some elements or entire generator. We are not responsible for any loss, or damage resulting from improper use of drives! Guarantee become void in such cases.

---

## STANDARDS AND DIRECTIVES

In the process of designing and manufacturing the following standards and directives were taken into account:

- 2014/35/EU– Low-voltage Directive: on the harmonisation of the laws of the Member States relating to the making available on the market of electrical equipment designed for use within certain voltage limits
- 2014/30/EU– EMC Directive: on the harmonisation of the laws of the Member States relating to electromagnetic compatibility
- 2011/65/EC – RoHS Directive: restriction of hazardous substances in electrical and electronic equipment
- DIN IEC 62031:2008 – Safety requirements for LED modules
- EN 60598-1:2015-04 – General requirements and tests for luminaires
- EN 60598-2-2:2012 – Luminaires - Part 2. Special requirements - Recessed luminaires
- EN 62471:2010 – Photo-biological safety of lamps and lamps systems
- EN 61347-1:2015-09 – General and safety requirements
- EN 61347-2-13:2015-04 – Special requirements for DC and AC powered electronic operating equipment for LED modules
- EU Regulation No: 874/2012 – Energy labelling of electrical lamps and luminaries