

PRODUCT SPECIFICATION SHEET

Luna Decorative LED Light Source



Rev. C2



Combines the bright white light output of the standard Luna with an in-built effects wheel.

Featuring the same fanless internal components as its sister, the Luna Decorative's larger shell conceals a built in effects wheel offering either colour change or twinkle effects. Control options for the wheel are either DMX, 0-10V or manual control using the rear mounted potentiometer.

Dimming is also available on all models and is controlled via the same method as the effects wheel.

GENERAL INFORMATION

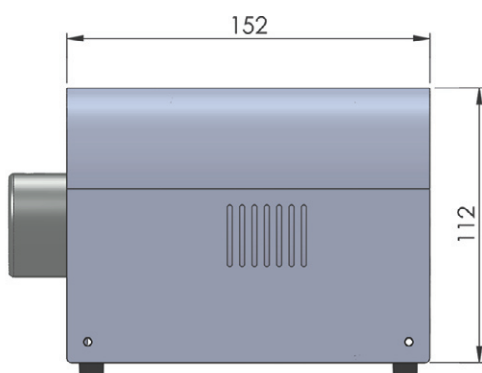
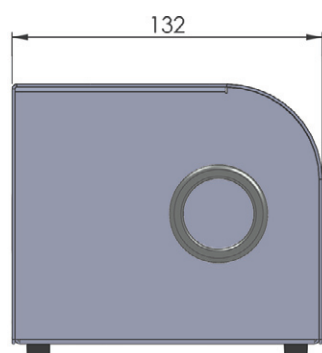
Port Connector Size	30mm diameter
Fibre Type	Glass / PMMA
Material/Finish	Aluminium, powdercoated (RAL9006)
Dimensions (L x W x H)	152mm (5.98") x 132mm (5.2") x 112mm (4.4")
Weight	1.18kg
Operating Environment	Indoor use - IP20
Min Ambient Temp.	-10°C
Max Ambient Temp.	+45°C

LIGHTING AND CONTROL INFORMATION

Control Functionality	0-10V, DMX & manual dimming
DMX Functionality	User addressable to 512
DMX Channels	2 channels
Colour Change Functionality	0-10V, DMX & manual
Effects Wheel Options and Functionality	Colour and twinkle controlled by 0-10v, DMX and manual

LED ARRAY DATA

LED Array Type	White light
LED Array Power	11.5W
LED Array Model	Cree Xlamp - MC-E
LED Array Life (L70, B10)	>36,000 hours typical
3000K LED Option	80CRI / 550lm
4000K LED Option	80CRI / 550lm



ELECTRICAL CHARACTERISTICS

Supply Voltage	90-264Vac
Mains Running Current	0.09A @ 240Vac
Mains Voltage VA rating	19VA
External PSU Type	Meanwell, 24V, 0.75A, 18W
Motor Type	Rotalink 25C13/YS0LPSL3E - 12V - 60:1

AVAILABLE ACCESSORIES

MAS0403021R5	Weatherproof enclosure
--------------	------------------------

LIGHT SOURCE PRODUCT CODES

MODEL	COLOUR TEMP		MANUAL DIM*		EFFECT		CONTROL	
	K	hrs	YES	M				
UFO LUNA	3000K	30	YES	M	Colour change	C	Manual	M
	4000K	40	NO	X	Twinkle	T	DMX	DMX
							0-10V	0-10

UFO LUNA - [] - [] - [] - []
 e.g. UFO LUNA -30-M-C-M

*Manual dimming is only available on light sources with manual control option. The Luna XCM(colour wheel) & Vega XTM (twinkle wheel) have manual speed control on the decorative motor. On these versions the light output is set to maximum and cannot be dimmed.

The Luna MCM & Vega MTM have manual speed control on the decorative motor and also manual dimming control of the LED. The light output can be adjusted manually using the control on the rear of the unit from no light output to maximum light output

