

# PRODUCT SPECIFICATION SHEET

## Pulsar RGBW LED Light Source



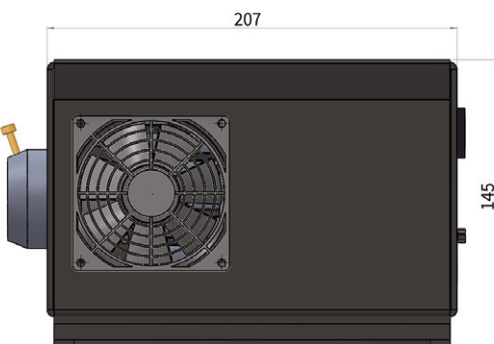
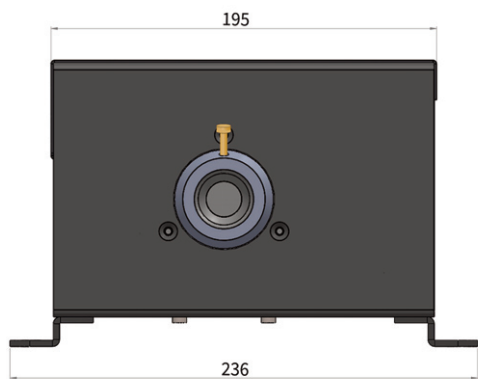
Rev. C5



The UFO Pulsar DMX is 130W RGBW light source with full integral DMX, 0-10V, 1-10V, manual dimming and RF control making this light source capable of exceeding all expectations

Utilising industry standard protocols to control the unit's colour change effects, twinkle effects and dimming. This is the ultimate light source for illuminating fibre optic effect lighting when a crisp, controllable RGBW light is required.

Features an LCD display which provides user feedback for ease of use. Fitted with a standard 30mm fibre port connector, this light source is suitable for both new installations and retro-fitting to existing fibre optic installations.



### GENERAL INFORMATION

Port Connector Size	30mm diameter
Fibre Type	Glass / PMMA
Material	Sheet steel
Finish	Powdercoat grey (RAL 7024)
Dimensions (LxWxH)	207mm x 236mm x 145mm
Operating Environment	Indoors
Min Ambient Temp.	-10°C
Max Ambient Temp.	+50°C

### LIGHTING & CONTROL INFORMATION

Dimming Control	Integral DMX, 0-10V, 1-10V & manual dimming
Decorative Effects	Colour change & twinkle effects with full light option

### LED ARRAY DATA

LED Type	RGBW
LED Array Power	Up to 130W
LED Life	50,000 hours (typical)
Base White Colour Temp.	6500K as standard 3000K & 4000K options subject to availability
Wavelength and Luminous Flux	Red: 618nm / 1600lm   Green: 518nm / 1160lm Blue: 450nm / 650lm   White: 4600lm

### ELECTRICAL CHARACTERISTICS

Mains Supply Voltage	100-240V AC, 50-60Hz
PSU Type & Output	Desktop PSU with IEC power cord / 160W
Fan	Crossflow
Thermal Protection	On LED PCB thermistor

### RF REMOTE INFORMATION

RF Remote Frequency	2.4Ghz
RF Remote Range	30 metres depending on environment
RF Remote Power	2 x AAA batteries

### ORDERING CODES

UFO-PUL-DMX	Pulsar RGBW integral DMX, 0-10V, 1-10V & manual control
UFO-PUL-DMX-R	Pulsar RGBW integral DMX, 0-10V, 1-10V & manual control + RF remote
UFO-PUL-DMX-T	Pulsar RGBW integral DMX, 0-10V, 1-10V & manual control + twinkle wheel
UFO-PUL-DMX-T-R	Pulsar RGBW integral DMX, 0-10V, 1-10V & manual control + RF remote & twinkle wheel

Note that as standard these light sources are supplied with a 6500K base white array. If you require either the 3000K or 4000K option please contact us to confirm availability.