

# PRODUCT SPECIFICATION SHEET

## Vega Decorative LED Light Source



Rev. C2



The Vega Decorative offers amazing LED brightness for architectural lighting projects and incorporates a decorative effects wheel for colour change or twinkle effects.

With a long lamp life, and very bright white light output, the Vega fits perfectly in situations where tungsten halogen, or even metal halide options would normally be specified.

Very cool and almost silent running combined with a small unit size, make this light source suitable for use in restricted spaces, and when fitted in an IP rated enclosure it can easily be situated outside.

Fitted with a standard 30mm fibre port connector, this light source is suitable for both new installations and retro-fitting to existing fibre optic installations.

### GENERAL INFORMATION

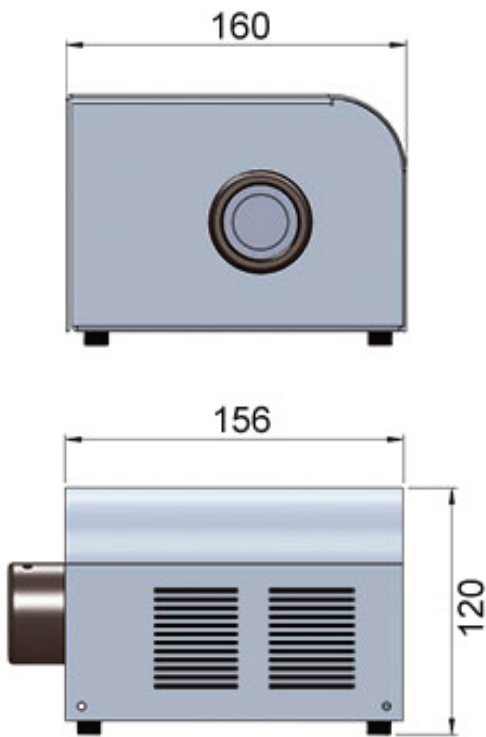
Port connector size	30mm diameter
Fibre type	Glass / PMMA
Material/Finish	Aluminium, powdercoated (RAL9006)
Dimensions (L x W x H)	156mm (6.1") x 160mm (6.3") x 120mm (4.7")
Weight	1.35kg
Operating Environment	Indoor use - IP20
Min Ambient Temp.	-10°C
Max Ambient Temp.	+45°C

### LIGHTING AND CONTROL INFORMATION

Control Functionality	0-10V, DMX & manual dimming
DMX Functionality	User addressable to 512
DMX Channels	2 channels
Colour Change Functionality	0-10V, DMX & manual
	Colour and Twinkle Controlled by 0-10V, DMX and Manual.
Effects Wheel Options and Functionality	For DMX operation, twinkle wheels can be supplied in full or segmented versions. The segmented option, controlled by a sensor, has a cutout to allow full light output when the twinkle effect is stopped.

### LED ARRAY DATA

LED Array Type	White light
LED Array Power	18W
LED Array Model	Cree Xlamp - MT-G2
LED Array Life (L70, B10)	>36,000 hours typical
2700K LED Option	80CRI / 1720lm
3000K LED Option	80CRI / 1770lm
4000K LED Option	80CRI / 1820lm



## ELECTRICAL CHARACTERISTICS

Supply Voltage	90-264Vac
Mains Running Current	0.23A @ 240Vac
Mains Voltage VA rating	50VA
External PSU Type	Meanwell, 24V, 2.5A, 60W
Motor Type	Rotalink 25C13/YSOLPSL3E - 12V - 60:1
Fan Type	Sunon, 60mm, 10dBA

## AVAILABLE ACCESSORIES

MAS0403021R5	Weatherproof enclosure
--------------	------------------------

## LIGHT SOURCE PRODUCT CODES

MODEL	COLOUR TEMP		MANUAL DIM*		EFFECT		CONTROL	
	K	°	YES	M				
UFO VEGA	2700K	27	YES	M	Colour change	C	Manual	M
	3000K	30	NO	X	Twinkle	T	DMX	DMX
	4000K	40			Segmented Twinkle	ST	0-10V	0-10
UFO VEGA	-	-	-	-	-	-	-	-

e.g. UFO VEGA 27-M-C-M

\*Manual dimming is only available on light sources with manual control option. The Vega XCM(colour wheel) & Vega XTM (twinkle wheel) have manual speed control on the decorative motor. On these versions the light output is set to maximum and cannot be dimmed.

The Vega MCM & Vega MTM have manual speed control on the decorative motor and also manual dimming control of the LED. The light output can be adjusted manually using the control on the rear of the unit from no light output to maximum light output



Universal Fibre Optics Ltd  
Home Place \ Coldstream  
TD12 4DT \ UK  
+44 (0)1890 883416 \ www.ufo.lighting

Universal Fiber Optic Lighting USA LLC  
1749 Northgate Blvd  
Sarasota \ FL34234 \ USA  
941-343-8115 \ www.fiberopticlighting.com

UFO Licht GmbH  
Andreasstraße 20  
93059 Regensburg \ Deutschland  
+49 (0)9491 955880 \ www.ufo-licht.de